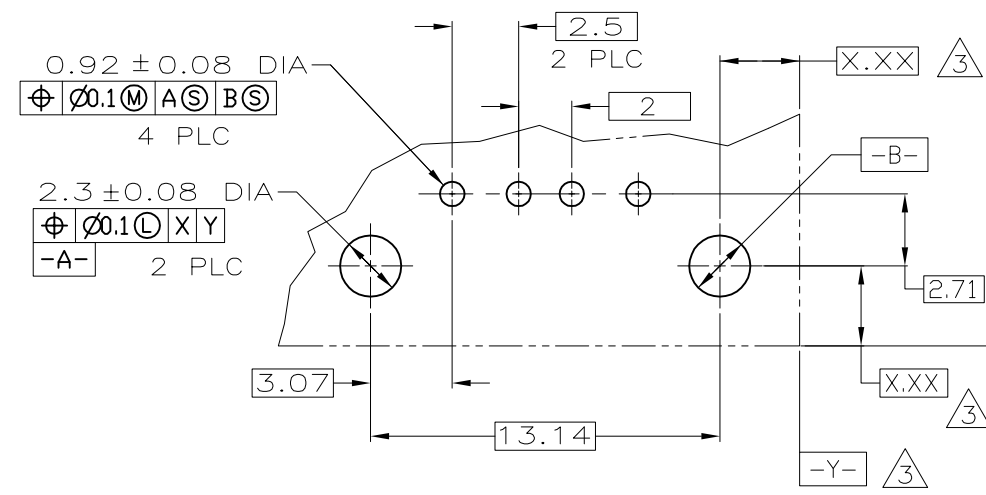
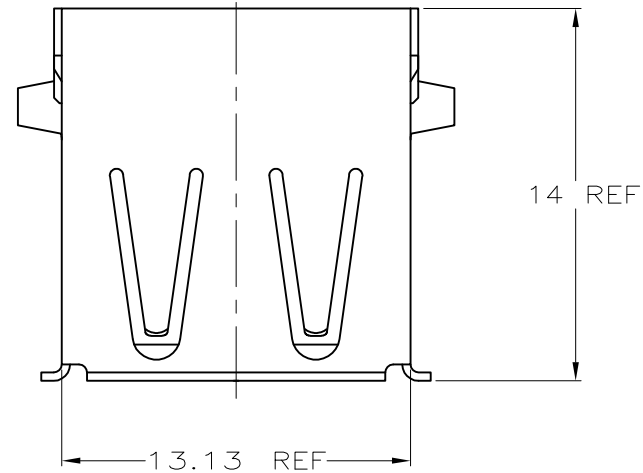
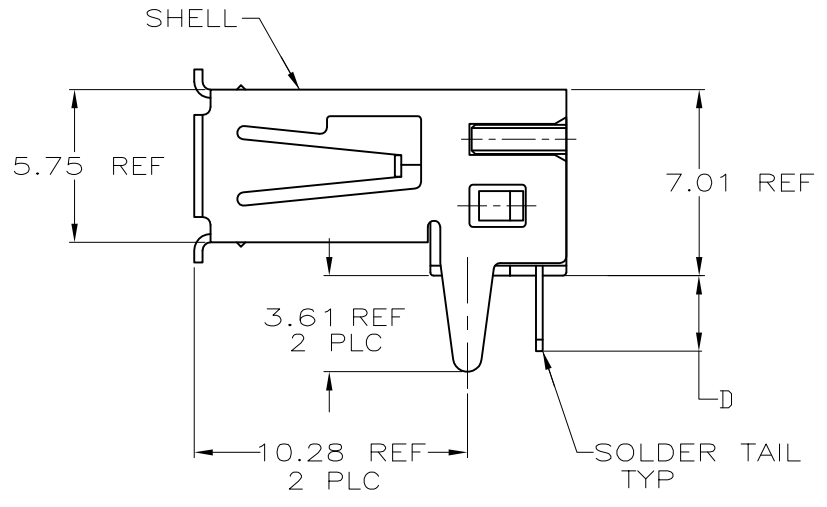
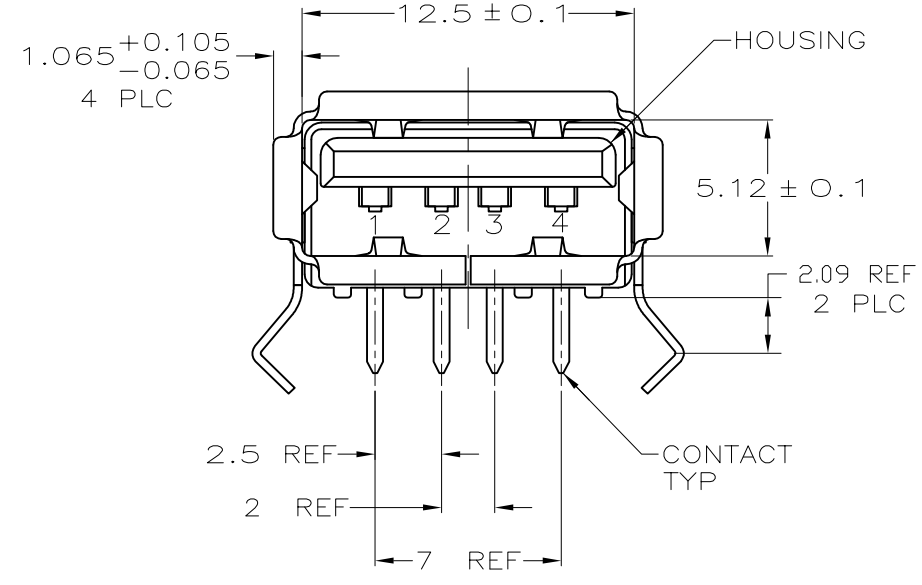


LOC		DIST		REVISIONS			
P	LTR	DESCRIPTION	DATE	DWN	APVD		
ES	00						
	E12	REVISED PER ECR-17-010413	20JUL17	T.Z	H.W		



PC BOARD MOUNTING DIMENSIONS ④



- ① MATERIAL:
 SHELL- STAINLESS STEEL.
 CONTACTS- COPPER ALLOY.
 HOUSING: UL 94V-0 RATED, THERMOPLASTIC, COLOR SEE TABLE.
- ② PLATING:
 CONTACTS: 0.076μm MINIMUM GOLD OVER 0.76μm MINIMUM PALLADIUM-NICKEL ON MATING AREA.
 3.8μm MINIMUM MATTE TIN ON SOLDER TAILS.
 BOTH OVER 1.27μm MINIMUM NICKEL.
 CONTACT ALTERNATE PLATING: 0.76μm MIN GOLD ON MATING AREA, 3.80μm MIN MATTE TIN ON SOLDER TAILS, BOTH OVER 1.27μm MIN NICKEL.
 SHELL: 2~5μm MINIMUM BRIGHT TIN
- ③ DATUM AND BASIC DIMENSIONS ESTABLISHED BY CUSTOMER.
- ④ RECOMMENDED PC BOARD THICKNESS OF 1.57.
- ⑤ PLATING:
 CONTACTS: 0.76μm MINIMUM PALLADIUM-NICKEL ON MATING AREA.
 3.8μm MINIMUM MATTE TIN ON SOLDER TAILS.
 BOTH OVER 1.27μm MINIMUM NICKEL.
 SHELL: 2~5μm MINIMUM BRIGHT TIN

⑤	YES	2.84	BLACK	2-292303-0 ⑤⑨
②	YES	2.29	BLACK	1-292303-9 ⑤⑧
②	NO	3.81	BLACK	1-292303-5
②	NO	3.56	BLACK	1-292303-4
②	NO	3.20	BLACK	1-292303-3
②	YES	3.30	BLACK	1-292303-2
②	YES	2.29	BLACK	292303-6
②	YES	2.84	NATURAL	292303-5
②	YES	2.84	BLACK	292303-4
②	NO	2.84	NATURAL	292303-3
②	NO	2.29	BLACK	292303-2
②	NO	2.84	BLACK	292303-1
CONTACT PLATING	HIGH TEMPERATURE COMPATIBLE	D	HOUSING COLOR	PART NUMBER

THIS DRAWING IS A CONTROLLED DOCUMENT.

DWN J. JIANG 19FEB04	
CHK S. YAO 19FEB04	
APVD T. SASAKI 19FEB04	NAME
PRODUCT SPEC 108-60034	RECEPTACLE ASSEMBLY RIGHT ANGLE, 4 POSITION, T/H & SMT USB, LEAD FREE VERSION
APPLICATION SPEC	SIZE A2
MATERIAL ①	CAGE CODE 00779
TOLERANCES UNLESS OTHERWISE SPECIFIED: 0 PLC ± - 1 PLC ± - 2 PLC ± 0.25 3 PLC ± - 4 PLC ± - ANGLES ± - FINISH SEE TABLE	DRAWING NO C=292303
WEIGHT -	RESTRICTED TO -
CUSTOMER DRAWING	SCALE 5:1 SHEET 1 OF 4 REV E12

4

3

2

1

THIS DRAWING IS UNPUBLISHED. RELEASED FOR PUBLICATION
 © COPYRIGHT - By - ALL RIGHTS RESERVED.

LOC	DIST	REVISIONS			
P	LTR	DESCRIPTION	DATE	DWN	APVD
ES	00	SEE SHEET 1	-	-	-

RECOMMENDED PC BOARD MOUNTING LAYOUT $\triangle 3$
 (TOLERANCE= ± 0.05)

$\triangle 1$ MATERIAL:
 E10 SHELL- STAINLESS STEEL
 CONTACTS- COPPER ALLOY.
 HOUSING: UL 94V-0 RATED, THERMOPLASTIC, COLOR SEE TABLE.

$\triangle 2$ PLATING:
 CONTACTS: 0.076 μm MINIMUM GOLD OVER 0.76 μm MINIMUM PALLADIUM-NICKEL ON MATING AREA.
 3.8 μm MINIMUM MATTE TIN ON SOLDER TAILS.
 BOTH OVER 1.27 μm MINIMUM NICKEL.
 CONTACT ALTERNATE PLATING: 0.76 μm MIN GOLD ON MATING AREA, 3.80 μm MIN MATTE TIN ON SOLDER TAILS, BOTH OVER 1.27 μm MIN NICKEL.
 SHELL: 2~5 μm MINIMUM BRIGHT TIN

$\triangle 3$ RECOMMENDED PC BOARD THICKNESS OF 1.42.

YES	BLACK	3-292303-1 E10
YES	BLACK	1-292303-1
YES	NATURAL	292303-7
HIGH TEMPERATURE COMPATIBLE	HOUSING COLOR	PART NUMBER

THIS DRAWING IS A CONTROLLED DOCUMENT.		DWN	19FEB04	
DIMENSIONS: mm		J. JIANG	19FEB04	
TOLERANCES UNLESS OTHERWISE SPECIFIED:		CHK	S. YAO	TE Connectivity
0 PLC $\pm -$		APVD	T. SASAKI	RECEPTACLE ASSEMBLY RIGHT
1 PLC $\pm -$		PRODUCT SPEC	108-60034	ANGLE, 4 POSITION, T/H & SMT
2 PLC ± 0.25		APPLICATION SPEC	-	USB, LEAD FREE VERSION
3 PLC $\pm -$		SIZE	A2	RESTRICTED TO
4 PLC $\pm -$		CAGE CODE	00779	00779 C = 292303
ANGLES $\pm -$		DRAWING NO	C = 292303	SCALE 5:1
FINISH		WEIGHT	-	SHEET 2 OF 4
$\triangle 1$		CUSTOMER DRAWING	SCALE 5:1	REV E12
$\triangle 2$				

1471-9 (3/11)

292303

B

A

4

3

2

1

THIS DRAWING IS UNPUBLISHED. RELEASED FOR PUBLICATION
 © COPYRIGHT - By - ALL RIGHTS RESERVED.

LOC	DIST	REVISIONS			
P	LTR	DESCRIPTION	DATE	DWN	APVD
ES	00	SEE SHEET 1	-	-	-

PC BOARD MOUNTING DIMENSIONS $\Delta 4$

$\Delta 1$ MATERIAL:
 $\Delta 1$ SHELL- STAINLESS STEEL.
 CONTACTS- COPPER ALLOY.
 HOUSING: UL 94V-0 RATED, THERMOPLASTIC, COLOR SEE TABLE.

$\Delta 2$ PLATING:
 CONTACTS: 0.076 μ m MINIMUM GOLD OVER 0.76 μ m MINIMUM PALLADIUM-NICKEL ON MATING AREA.
 3.8 μ m MINIMUM MATTE TIN ON SOLDER TAILS.
 BOTH OVER 1.27 μ m MINIMUM NICKEL.
 CONTACT ALTERNATE PLATING: 0.76 μ m MIN GOLD ON MATING AREA, 3.80 μ m MIN MATTE TIN ON SOLDER TAILS, BOTH OVER 1.27 μ m MIN NICKEL.
 SHELL: 2~5 μ m MINIMUM BRIGHT TIN

$\Delta 3$ DATUM AND BASIC DIMENSIONS ESTABLISHED BY CUSTOMER.
 $\Delta 4$ RECOMMENDED PC BOARD THICKNESS OF 1.2.

NO	NATURAL	292303-8
HIGH TEMPERATURE COMPATIBLE	HOUSING COLOR	PART NUMBER

THIS DRAWING IS A CONTROLLED DOCUMENT.		DWN J.JIANG 19FEB04	STE TE Connectivity	
DIMENSIONS: mm		CHK S.YAO 19FEB04		
TOLERANCES UNLESS OTHERWISE SPECIFIED:		APVD T.SASAKI 19FEB04	NAME	
0 PLC \pm -		PRODUCT SPEC		
1 PLC \pm -		108-60034		
2 PLC \pm 0.25		APPLICATION SPEC		
3 PLC \pm -		SIZE	CAGE CODE	DRAWING NO
4 PLC \pm -		WEIGHT	A2 00779	C=292303
ANGLES \pm -		RESTRICTED TO		
FINISH		CUSTOMER DRAWING		
$\Delta 1$		SCALE 5:1 SHEET 3 OF 4 REV E12		

1471-9 (3/11)

292303

B

A

4

3

2

1

THIS DRAWING IS UNPUBLISHED. RELEASED FOR PUBLICATION
 © COPYRIGHT - By - ALL RIGHTS RESERVED.

LOC		DIST		REVISIONS			
P	LTR	DESCRIPTION	DATE	DWN	APVD		
ES	00	SEE SHEET 1	-	-	-		

RECOMMENDED MOUNTING PANEL CUTOUT

⚠ MATERIAL:
 Ⓜ SHELL- STAINLESS STEEL.
 CONTACTS- COPPER ALLOY.
 HOUSING: UL 94V-0 RATED, THERMOPLASTIC, COLOR SEE TABLE.

⚠ PLATING:
 CONTACTS: 0.076 μm MINIMUM GOLD OVER 0.76 μm MINIMUM PALLADIUM-NICKEL ON MATING AREA.
 3.8 μm MINIMUM MATTE TIN ON SOLDER TAILS.
 BOTH OVER 1.27 μm MINIMUM NICKEL.
 CONTACT ALTERNATE PLATING: 0.76 μm MIN GOLD ON MATING AREA, 3.80 μm MIN MATTE TIN ON SOLDER TAILS, BOTH OVER 1.27 μm MIN NICKEL.
 SHELL: 2~5 μm MINIMUM BRIGHT TIN

⚠ PANEL IS NEEDED FOR CUSTOMER.
 ⚠ THIS P/N IS PRELIMINARY.

RECOMMENDED PC BOARD MOUNTING LAYOUT (TOLERANCE=±0.05)

YES	BLACK	1-292303-6 ⚠
YES	NATURAL	292303-9
HIGH TEMPERATURE COMPATIBLE	HOUSING COLOR	PART NUMBER

THIS DRAWING IS A CONTROLLED DOCUMENT.		DWN J.JIANG 19FEB04		
		CHK S.YAO 19FEB04		
DIMENSIONS: mm		APVD T.SASAKI 19FEB04	NAME	
TOLERANCES UNLESS OTHERWISE SPECIFIED:		PRODUCT SPEC 108-60034	RECEPTACLE ASSEMBLY RIGHT	
0 PLC ± -		APPLICATION SPEC	ANGLE, 4 POSITION, T/H & SMT	
1 PLC ± -		WEIGHT -	USB, LEAD FREE VERSION	
2 PLC ± 0.25		CUSTOMER DRAWING	SIZE A2	CAGE CODE 00779
3 PLC ± -		SCALE 5:1	DRAWING NO C=292303	RESTRICTED TO -
4 PLC ± -		SHEET 4 OF 4	REV E12	
ANGLES ± -				
FINISH ⚠				

1471-9 (3/11)

292303

B

A

Данный компонент на территории Российской Федерации

Вы можете приобрести в компании MosChip.

Для оперативного оформления запроса Вам необходимо перейти по данной ссылке:

<http://moschip.ru/get-element>

Вы можете разместить у нас заказ для любого Вашего проекта, будь то серийное производство или разработка единичного прибора.

В нашем ассортименте представлены ведущие мировые производители активных и пассивных электронных компонентов.

Нашей специализацией является поставка электронной компонентной базы двойного назначения, продукции таких производителей как XILINX, Intel (ex.ALTERA), Vicor, Microchip, Texas Instruments, Analog Devices, Mini-Circuits, Amphenol, Glenair.

Сотрудничество с глобальными дистрибьюторами электронных компонентов, предоставляет возможность заказывать и получать с международных складов практически любой перечень компонентов в оптимальные для Вас сроки.

На всех этапах разработки и производства наши партнеры могут получить квалифицированную поддержку опытных инженеров.

Система менеджмента качества компании отвечает требованиям в соответствии с ГОСТ Р ИСО 9001, ГОСТ РВ 0015-002 и ЭС РД 009

Офис по работе с юридическими лицами:

105318, г.Москва, ул.Щербаковская д.3, офис 1107, 1118, ДЦ «Щербаковский»

Телефон: +7 495 668-12-70 (многоканальный)

Факс: +7 495 668-12-70 (доб.304)

E-mail: info@moschip.ru

Skype отдела продаж:

moschip.ru

moschip.ru_4

moschip.ru_6

moschip.ru_9