



FAST CMOS OCTAL TRANSPARENT LATCH

IDT54/74FCT573T/AT/CT

FEATURES:

- Std., A, and C grades
- Low input and output leakage $\leq 1\mu\text{A}$ (max.)
- CMOS power levels
- True TTL input and output compatibility:
 - $V_{OH} = 3.3V$ (typ.)
 - $V_{OL} = 0.3V$ (typ.)
- High Drive outputs (-15mA I_{OH} , 48mA I_{OL})
- Meets or exceeds JEDEC standard 18 specifications
- Military product compliant to MIL-STD-883, Class B and DESC listed (dual marked)
- Power off disable outputs permit "live insertion"
- Available in the following packages:
 - Industrial: SOIC, QSOP
 - Military: CERDIP, LCC

DESCRIPTION:

The FCT573T is an octal transparent latch built using an advanced dual metal CMOS technology. These octal latches have 3-state outputs and are intended for bus oriented applications. The flip-flops appear transparent to the data when Latch Enable (LE) is high. When LE is low, the data that meets the set-up time is latched. Data appears on the bus when the Output Enable (\overline{OE}) is low. When \overline{OE} is high, the bus output is in the high-impedance state.

FUNCTIONAL BLOCK DIAGRAM



PIN CONFIGURATION



CERDIP/ SOIC/ QSOP
TOP VIEW



LCC
TOP VIEW

ABSOLUTE MAXIMUM RATINGS⁽¹⁾

| Symbol | Description | Max | Unit |
|----------------------|--------------------------------------|-----------------|------|
| VTERM ⁽²⁾ | Terminal Voltage with Respect to GND | -0.5 to +7 | V |
| VTERM ⁽³⁾ | Terminal Voltage with Respect to GND | -0.5 to Vcc+0.5 | V |
| TSTG | Storage Temperature | -65 to +150 | °C |
| IOUT | DC Output Current | -60 to +120 | mA |

NOTES:

- Stresses greater than those listed under ABSOLUTE MAXIMUM RATINGS may cause permanent damage to the device. This is a stress rating only and functional operation of the device at these or any other conditions above those indicated in the operational sections of this specification is not implied. Exposure to absolute maximum rating conditions for extended periods may affect reliability. No terminal voltage may exceed Vcc by +0.5V unless otherwise noted.
- Inputs and Vcc terminals only.
- Output and I/O terminals only.

CAPACITANCE (TA = +25°C, F = 1.0MHz)

| Symbol | Parameter ⁽¹⁾ | Conditions | Typ. | Max. | Unit |
|--------|--------------------------|------------|------|------|------|
| CIN | Input Capacitance | VIN = 0V | 6 | 10 | pF |
| COU | Output Capacitance | VOU = 0V | 8 | 12 | pF |

NOTE:

- This parameter is measured at characterization but not tested.

PIN DESCRIPTION

| Pin Names | Description |
|-----------------|----------------------------------|
| Dx | Data Inputs |
| LE | Latch Enable Input (Active HIGH) |
| \overline{OE} | Output Enable Input (Active LOW) |
| Ox | 3-State Outputs |

FUNCTION TABLE⁽¹⁾

| Inputs | | | Outputs |
|--------|----|-----------------|---------|
| Dx | LE | \overline{OE} | Ox |
| H | H | L | H |
| L | H | L | L |
| X | X | H | Z |

NOTE:

- H = HIGH Voltage Level
X = Don't Care
L = LOW Voltage Level
Z = High Impedance

DC ELECTRICAL CHARACTERISTICS OVER OPERATING RANGE

Following Conditions Apply Unless Otherwise Specified:

Industrial: $T_A = -40^{\circ}\text{C}$ to $+85^{\circ}\text{C}$, $V_{CC} = 5.0\text{V} \pm 5\%$; Military: $T_A = -55^{\circ}\text{C}$ to $+125^{\circ}\text{C}$, $V_{CC} = 5.0\text{V} \pm 10\%$

| Symbol | Parameter | Test Conditions ⁽¹⁾ | | Min. | Typ. ⁽²⁾ | Max. | Unit |
|-----------|---|--|---------------------|------|---------------------|---------|---------------|
| V_{IH} | Input HIGH Level | Guaranteed Logic HIGH Level | | 2 | — | — | V |
| V_{IL} | Input LOW Level | Guaranteed Logic LOW Level | | — | — | 0.8 | V |
| I_{IH} | Input HIGH Current ⁽⁴⁾ | $V_{CC} = \text{Max.}$ | $V_i = 2.7\text{V}$ | — | — | ± 1 | μA |
| I_{IL} | Input LOW Current ⁽⁴⁾ | $V_{CC} = \text{Max.}$ | $V_i = 0.5\text{V}$ | — | — | ± 1 | μA |
| I_{OZH} | High Impedance Output Current (3-State output pins) ⁽⁴⁾ | $V_{CC} = \text{Max.}$ | $V_o = 2.7\text{V}$ | — | — | ± 1 | μA |
| I_{OZL} | | | $V_o = 0.5\text{V}$ | — | — | ± 1 | |
| I_i | Input HIGH Current ⁽⁴⁾ | $V_{CC} = \text{Max.}, V_i = V_{CC} (\text{Max.})$ | | — | — | ± 1 | μA |
| V_{IK} | Clamp Diode Voltage | $V_{CC} = \text{Min.}, I_{IN} = -18\text{mA}$ | | — | -0.7 | -1.2 | V |
| V_H | Input Hysteresis | — | | — | 200 | — | mV |
| I_{CC} | Quiescent Power Supply Current | $V_{CC} = \text{Max.}, V_{IN} = \text{GND or } V_{CC}$ | | — | 0.01 | 1 | mA |

OUTPUT DRIVE CHARACTERISTICS

| Symbol | Parameter | Test Conditions ⁽¹⁾ | | Min. | Typ. ⁽²⁾ | Max. | Unit |
|-----------|---|--|--|------|---------------------|---------|---------------|
| V_{OH} | Output HIGH Voltage | $V_{CC} = \text{Min.}$ $V_{IN} = V_{IH} \text{ or } V_{IL}$ | $I_{OH} = -6\text{mA MIL}$ $I_{OH} = -8\text{mA IND}$ | 2.4 | 3.3 | — | V |
| | | | $I_{OH} = -12\text{mA MIL}$ $I_{OH} = -15\text{mA IND}$ | 2 | 3 | — | |
| V_{OL} | Output LOW Voltage | $V_{CC} = \text{Min.}$ $V_{IN} = V_{IH} \text{ or } V_{IL}$ | $I_{OL} = 32\text{mA MIL}$ $I_{OL} = 48\text{mA IND}$ | — | 0.3 | 0.5 | V |
| I_{OS} | Short Circuit Current | $V_{CC} = \text{Max.}, V_o = \text{GND}^{(3)}$ | | -60 | -120 | -225 | mA |
| I_{OFF} | Input/Output Power Off Leakage ⁽⁵⁾ | $V_{CC} = 0\text{V}, V_{IN} \text{ or } V_o \leq 4.5\text{V}$ | | — | — | ± 1 | μA |

NOTES:

- For conditions shown as Min. or Max., use appropriate value specified under Electrical Characteristics for the applicable device type.
- Typical values are at $V_{CC} = 5.0\text{V}$, $+25^{\circ}\text{C}$ ambient.
- Not more than one output should be tested at one time. Duration of the test should not exceed one second.
- The test limit for this parameter is $\pm 5\mu\text{A}$ at $T_A = -55^{\circ}\text{C}$.
- This parameter is guaranteed but not tested.

POWER SUPPLY CHARACTERISTICS

| Symbol | Parameter | Test Conditions ⁽¹⁾ | | Min. | Typ. ⁽²⁾ | Max. | Unit |
|------------------|---|---|--|------|---------------------|-------------------|------------|
| ΔI_{CC} | Quiescent Power Supply Current TTL Inputs HIGH | V _{CC} = Max. V _{IN} = 3.4V ⁽³⁾ | | — | 0.5 | 2 | mA |
| I _{CCD} | Dynamic Power Supply Current ⁽⁴⁾ | V _{CC} = Max. Outputs Open \overline{OE} = GND One Input Toggling 50% Duty Cycle | V _{IN} = V _{CC} V _{IN} = GND | — | 0.15 | 0.25 | mA/ MHz |
| I _C | Total Power Supply Current ⁽⁶⁾ | V _{CC} = Max. Outputs Open f _i = 10MHz 50% Duty Cycle \overline{OE} = GND LE = V _{CC} One Bit Toggling | V _{IN} = V _{CC} V _{IN} = GND | — | 1.5 | 3.5 | mA |
| | | | V _{IN} = 3.4V V _{IN} = GND | — | 1.8 | 4.5 | |
| | | V _{CC} = Max. Outputs Open f _i = 2.5MHz 50% Duty Cycle \overline{OE} = GND LE = V _{CC} Eight Bits Toggling | V _{IN} = V _{CC} V _{IN} = GND | — | 3 | 6 ⁽⁵⁾ | mA |
| | | | V _{IN} = 3.4V V _{IN} = GND | — | 5 | 14 ⁽⁵⁾ | |

NOTES:

- For conditions shown as Min. or Max., use appropriate value specified under Electrical Characteristics for the applicable device type.
- Typical values are at V_{CC} = 5.0V, +25°C ambient.
- Per TTL driven input: (V_{IN} = 3.4V). All other inputs at V_{CC} or GND.
- This parameter is not directly testable, but is derived for use in Total Power Supply Calculations.
- Values for these conditions are examples of ΔI_{CC} formula. These limits are guaranteed but not tested.
- I_C = I_{QUIESCENT} + I_{INPUTS} + I_{DYNAMIC}
 $I_C = I_{CC} + \Delta I_{CC} D_H N_T + I_{CCD} (f_{CP}/2 + f_i N_i)$
 I_{CC} = Quiescent Current
 ΔI_{CC} = Power Supply Current for a TTL High Input (V_{IN} = 3.4V)
 D_H = Duty Cycle for TTL Inputs High
 N_T = Number of TTL Inputs at D_H
 I_{CCD} = Dynamic Current caused by an Input Transition Pair (HLH or LHL)
 f_{CP} = Clock Frequency for Register Devices (Zero for Non-Register Devices)
 f_i = Output Frequency
 N_i = Number of Outputs at f_i
 All currents are in milliamps and all frequencies are in megahertz.

SWITCHING CHARACTERISTICS OVER OPERATING RANGE - INDUSTRIAL

| Symbol | Parameter | Condition ⁽¹⁾ | 74FCT573AT | | 74FCT573CT | | Unit |
|--------------------------------------|--------------------------------------|--------------------------|---------------------|------|---------------------|------|------|
| | | | Min. ⁽²⁾ | Max. | Min. ⁽²⁾ | Max. | |
| t _{PLH} t _{PHL} | Propagation Delay Dx to Ox | CL = 50pF RL = 500Ω | 1.5 | 5.2 | 1.5 | 4.2 | ns |
| t _{PLH} t _{PHL} | Propagation Delay LE to Ox | | 2 | 8.5 | 2 | 5.5 | ns |
| t _{PZH} t _{PZL} | Output Enable Time | | 1.5 | 6.5 | 1.5 | 5.5 | ns |
| t _{PHZ} t _{PLZ} | Output Disable Time | | 1.5 | 5.5 | 1.5 | 5 | ns |
| t _{SU} | Set-up Time, HIGH or LOW Dx to LE | | 2 | — | 2 | — | ns |
| t _H | Hold Time, HIGH or LOW Dx to LE | | 1.5 | — | 1.5 | — | ns |
| t _w | LE Pulse Width HIGH ⁽³⁾ | | 5 | — | 5 | — | ns |

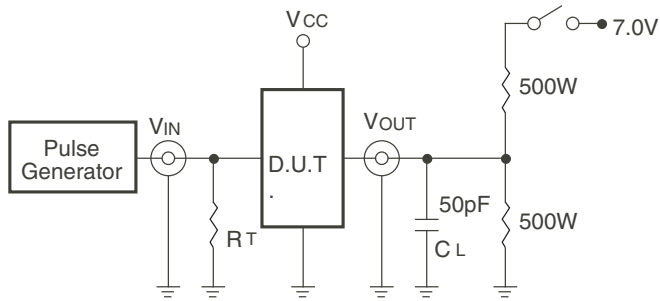
SWITCHING CHARACTERISTICS OVER OPERATING RANGE - MILITARY

| Symbol | Parameter | Condition ⁽¹⁾ | 54FCT573T | | 54FCT573AT | | 54FCT573CT | | Unit |
|--------------------------------------|--------------------------------------|--------------------------|---------------------|------|---------------------|------|---------------------|------|------|
| | | | Min. ⁽²⁾ | Max. | Min. ⁽²⁾ | Max. | Min. ⁽²⁾ | Max. | |
| t _{PLH} t _{PHL} | Propagation Delay Dx to Ox | CL = 50pF RL = 500Ω | 1.5 | 8.5 | 1.5 | 5.6 | 1.5 | 5.1 | ns |
| t _{PLH} t _{PHL} | Propagation Delay LE to Ox | | 2 | 15 | 2 | 9.8 | 2 | 8 | ns |
| t _{PZH} t _{PZL} | Output Enable Time | | 1.5 | 13.5 | 1.5 | 7.5 | 1.5 | 6.3 | ns |
| t _{PHZ} t _{PLZ} | Output Disable Time | | 1.5 | 10 | 1.5 | 6.5 | 1.5 | 5.9 | ns |
| t _{SU} | Set-up Time, HIGH or LOW Dx to LE | | 2 | — | 2 | — | 2 | — | ns |
| t _H | Hold Time, HIGH or LOW Dx to LE | | 1.5 | — | 1.5 | — | 1.5 | — | ns |
| t _w | LE Pulse Width HIGH ⁽³⁾ | | 6 | — | 6 | — | 6 | — | ns |

NOTES:

1. See test circuit and waveforms.
2. Minimum limits are guaranteed but not tested on Propagation Delays.
3. This limit is guaranteed but not tested.

TEST CIRCUITS AND WAVEFORMS



Octal Link

Test Circuits for All Outputs



Octal Link

Set-Up, Hold, and Release Times



Octal Link

Propagation Delay

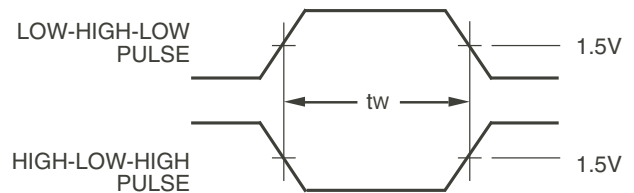
SWITCH POSITION

| Test | Switch |
|---|--------|
| Open Drain Disable Low Enable Low | Closed |
| All Other Tests | Open |

DEFINITIONS:

C_L = Load capacitance: includes jig and probe capacitance.

R_T = Termination resistance: should be equal to Z_{OUT} of the Pulse Generator.



Pulse Width

Octal Link



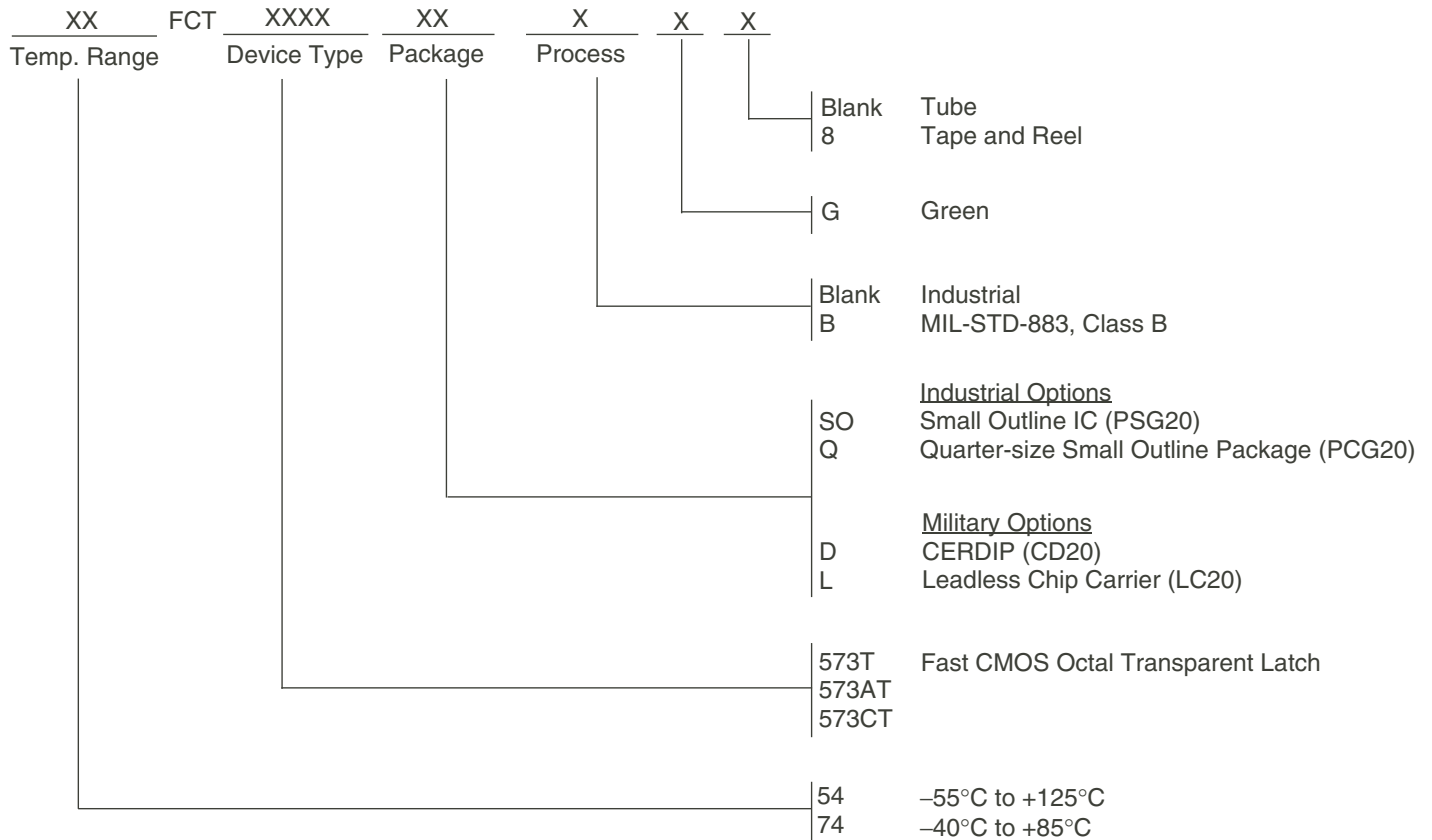
Octal Link

Enable and Disable Times

NOTES:

- Diagram shown for input Control Enable-LOW and input Control Disable-HIGH.
- Pulse Generator for All Pulses: Rate $\leq 1.0\text{MHz}$; $t_r \leq 2.5\text{ns}$; $t_f \leq 2.5\text{ns}$.

ORDERING INFORMATION



Datasheet Document History

| | | |
|------------|-------|--|
| 10/10/2009 | Pg. 7 | Updated the ordering information by removing the "IDT" notation and non RoHS part. |
| 11/17/2016 | Pg. 7 | Updated the ordering information by adding detailed package information and Tape & Reel. |



CORPORATE HEADQUARTERS
6024 Silver Creek Valley Road
San Jose, CA 95138

for SALES:
800-345-7015 or 408-284-8200
fax: 408-284-2775
www.idt.com

for Tech Support:
logichelp@idt.com

Данный компонент на территории Российской Федерации

Вы можете приобрести в компании MosChip.

Для оперативного оформления запроса Вам необходимо перейти по данной ссылке:

<http://moschip.ru/get-element>

Вы можете разместить у нас заказ для любого Вашего проекта, будь то серийное производство или разработка единичного прибора.

В нашем ассортименте представлены ведущие мировые производители активных и пассивных электронных компонентов.

Нашей специализацией является поставка электронной компонентной базы двойного назначения, продукции таких производителей как XILINX, Intel (ex.ALTERA), Vicor, Microchip, Texas Instruments, Analog Devices, Mini-Circuits, Amphenol, Glenair.

Сотрудничество с глобальными дистрибьюторами электронных компонентов, предоставляет возможность заказывать и получать с международных складов практически любой перечень компонентов в оптимальные для Вас сроки.

На всех этапах разработки и производства наши партнеры могут получить квалифицированную поддержку опытных инженеров.

Система менеджмента качества компании отвечает требованиям в соответствии с ГОСТ Р ИСО 9001, ГОСТ РВ 0015-002 и ЭС РД 009

Офис по работе с юридическими лицами:

105318, г.Москва, ул.Щербаковская д.3, офис 1107, 1118, ДЦ «Щербаковский»

Телефон: +7 495 668-12-70 (многоканальный)

Факс: +7 495 668-12-70 (доб.304)

E-mail: info@moschip.ru

Skype отдела продаж:

moschip.ru

moschip.ru_4

moschip.ru_6

moschip.ru_9