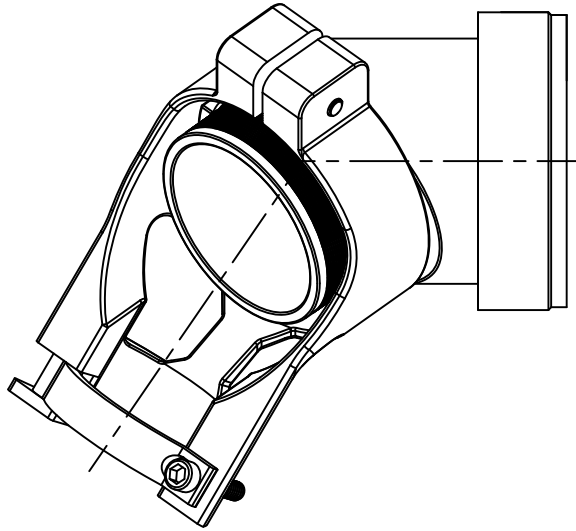


THIS DRAWING AND THE INFORMATION SET FORTH HEREON ARE THE PROPERTY OF TYCO ELECTRONICS AND ARE TO BE HELD IN TRUST AND CONFIDENCE. PUBLICATION, DUPLICATION, DISCLOSURE, OR USE FOR ANY PURPOSE NOT EXPRESSLY AUTHORIZED IN WRITING BY TYCO ELECTRONICS IS PROHIBITED.

REVISIONS

| LTR | DESCRIPTION                | DATE     | APPROVED |
|-----|----------------------------|----------|----------|
| A   | RELEASED PER ECO-11-025206 | 12/16/11 | B. WONG  |



SPIN-LOCK ADAPTER, SADDLE CLAMP


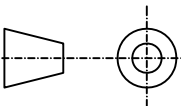
NOTES:

1. THIS PRODUCT IS DESIGNED TO TERMINATE A BRAIDED CABLE SHIELD TO A CONNECTOR AND PROVIDE STRAIN RELIEF.
- ② SEE DRAWING "TR" FOR DETAIL ON TINEL-LOCK RING. RINGS ARE DESIGNED TO BE HEATED ELECTRICALLY. ALL RINGS ARE MARKED WITH THERMOCHROMIC PAINT WHICH CHANGES COLOR WHEN INSTALLATION TEMPERATURE IS REACHED.
3. ADAPTER TO BE PERMANENTLY MARKED WITH CODE IDENT. NO. AND PART NO. LESS RING DESIGNATOR (E.G.: 06090-XXXXXXX-XXXXX).
- ④ ADAPTER MATES TO MIL-C-81703, SERIES III, MS3424, MS3446, MS3464, MS3467, MS3468, CLASS E AND L.
- ⑤ ADAPTER MATES TO MIL-C-5015G, MS3400 SERIES, CLASS D, E, K, L, U & W; MS3400 MS3401, MS3404, MS3406, MS3450, MS3451, MS3454, MS3456, MS3470, MS3471, MS3472, MS3474, MS3475, MS3476. MIL-C-83723, SERIES II, CLASS A & L. MIL-C-83723, /14, /36, /37, /38, /39, /40, /41, /42, /43, /48, /49, /65, /66, /67, /68, /69, /70, /71, /72, /73, /74, /75, /76, /77, /78, /82, /83, /84, /85, /86, /87, /91, /92, /95, /97, /98, (MS3155 CONTROLLED INTERFACE).
6. INSTALLATION PROCEDURE MIP-103.
7. PERFORMANCE SPECIFICATION MPS-103.
8. FOR ADDITIONAL ORDERING INFORMATION SEE CH00-0250-019.

If this document is printed it becomes uncontrolled. Check for the latest revision

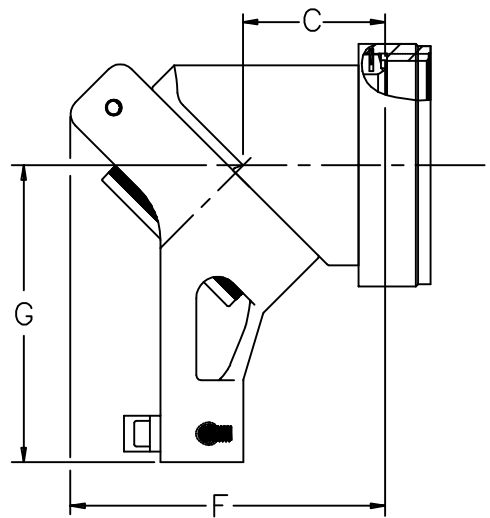
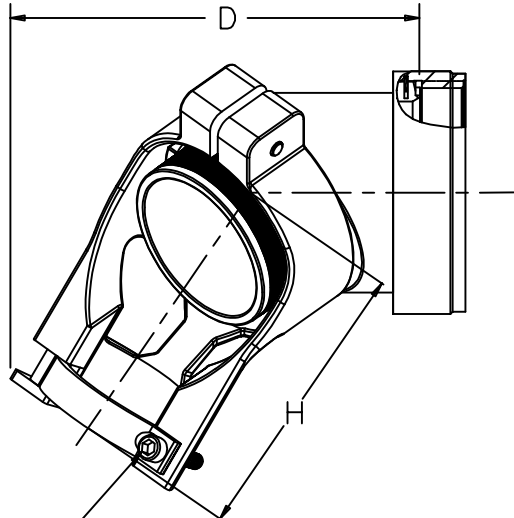
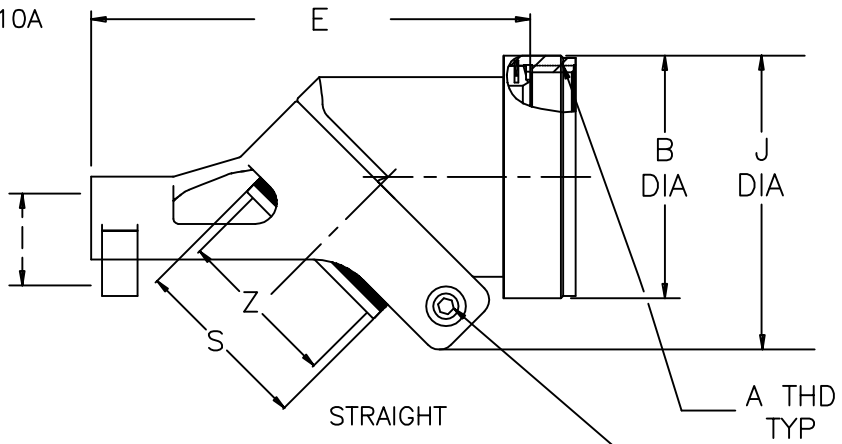
Raychem Adapters  
CUSTOMER DRAWING

2011 Tyco Electronics Corporation. All rights reserved.

|   |  |                  |  |                   |                 |  |
|---|--|------------------|--|-------------------|-----------------|--|
| UNLESS OTHERWISE SPECIFIED DIMENSIONS ARE IN INCHES AND TOLERANCES ARE:<br>.XXX ± —<br>.XX ± —<br>± — | DRAWN<br>D JAIN  | DATE<br>8AUG2011 |  |                   | TE Connectivity |  |
|   | CHECKED<br>BERT W  | DATE<br>8AUG2011 |  |                   |                 |  |
|   | APPROVED   | DATE             |  |                   |                 |  |
| MATERIAL<br>SEE NOTES   | THIRD ANGLE PROJECTION  |                  | TITLE<br>SPIN-LOCK ADAPTER<br>CODE 54  |                   |                 |  |
| FINISH<br>—   | CAD NAME<br>SLC54_a.dwg  | SIZE<br>A        | CAGE CODE:<br>06090  | DWG. NO.<br>SLC54 | REV<br>A        |  |
|   | RPN:<br>—  | SCALE: NONE      |  | SHEET 1 OF 3      |                 |  |

| REVISIONS |                            |          |          |
|-----------|----------------------------|----------|----------|
| LTR       | DESCRIPTION                | DATE     | APPROVED |
| A         | RELEASED PER ECO-11-025206 | 12/16/11 | B. WONG  |

e.g SLC 54AB - 1610A



CLAMP SCREW  
SEE TABLE ON SHEET 3  
FOR DETAILS

AT 45 DEGREE

AT 90 DEGREE

If this document is printed it becomes uncontrolled. Check for the latest revision

Raychem Adapters  
CUSTOMER DRAWING

|             |                     |                   |          |
|-------------|---------------------|-------------------|----------|
| SIZE<br>A   | CAGE CODE:<br>06090 | DWG. NO.<br>SLC54 | REV<br>A |
| SCALE: NONE |                     | SHEET 2 OF 3      |          |

| REVISIONS |                            |          |          |
|-----------|----------------------------|----------|----------|
| LTR       | DESCRIPTION                | DATE     | APPROVED |
| A         | RELEASED PER ECO-11-025206 | 12/16/11 | B. WONG  |

TABLE I

| ORDER NO. | SHELL SIZE |                   | AVAILABLE ENTRY SIZES |       | A<br>METRIC THD<br>CLASS 6H | B<br>DIA<br>MAX | C<br>MAX<br>DIM | D<br>MAX<br>DIM | E<br>MAX<br>DIM | F<br>MAX<br>DIM | CLAMP<br>SCREW |
|-----------|------------|-------------------|-----------------------|-------|-----------------------------|-----------------|-----------------|-----------------|-----------------|-----------------|----------------|
|           | 4          | 5                 | SMALL                 | LARGE |                             |                 |                 |                 |                 |                 |                |
| 08        |            | 8 & 8S            | 04                    | -     | .500"-20 UNF                | .610            | .61<br>[15.49]  | 1.61<br>[40.89] | 1.73<br>[43.94] | 1.23<br>[31.24] | 1-64 UNC       |
| 10        |            | 10, 10S<br>& 10SL | 04                    | 06    | .625"-24 UNEF               | .728            | .55<br>[13.97]  | 1.62<br>[41.14] | 1.79<br>[45.46] | 1.24<br>[31.49] | 1-64 UNC       |
| 12        | 7          | 12 & 12S          | 06                    | 08    | .750"-20 UNEF               | .856            | .73<br>[18.54]  | 1.80<br>[45.72] | 2.03<br>[51.46] | 1.42<br>[36.06] | 1-64 UNC       |
| 14        | 12         | 14 & 14S          | 08                    | 10    | .875"-20 UNEF               | .964            | .97<br>[24.63]  | 2.10<br>[53.34] | 2.34<br>[59.43] | 1.77<br>[44.95] | 5-40 UNC       |
| 16        | 19         | 16 & 16S          | 10                    | 12    | 1.000"-20 UNEF              | 1.082           | 1.04<br>[26.41] | 2.20<br>[55.88] | 2.50<br>[63.5]  | 1.92<br>[48.76] | 5-40 UNC       |
| 18        | 27         | 18                | 10                    | 14    | 1.062"-18 UNEF              | 1.161           | .85<br>[21.59]  | 2.30<br>[58.42] | 2.49<br>[63.24] | 1.80<br>[45.72] | 5-40 UNC       |
| 20        | 37         | 20                | 12                    | 16    | 1.188"-18 UNEF              | 1.338           | 1.16<br>[29.46] | 2.50<br>[63.5]  | 2.83<br>[71.88] | 2.16<br>[54.86] | 5-40 UNC       |
| 22        |            | 22                | 14                    | 18    | 1.312"-18 UNEF              | 1.466           | 1.14<br>[28.95] | 2.60<br>[66.04] | 3.09<br>[78.48] | 2.19<br>[55.62] | 5-40 UNC       |
| 24        |            | 24                | 16                    | 20    | 1.438"-18 UNEF              | 1.592           | 1.13<br>[28.70] | 2.80<br>[71.12] | 3.08<br>[78.23] | 2.23<br>[56.64] | 5-40 UNC       |

TABLE II

| ORDER NO. | G<br>MAX<br>DIM | H<br>MAX<br>DIM | I<br>MAX<br>DIM | J<br>MAX<br>DIM  |
|-----------|-----------------|-----------------|-----------------|------------------|
| 08        | 1.12<br>[28.44] | 1.05<br>[26.67] | .34<br>[8.63]   | 0.929<br>[23.59] |
| 10        | 1.24<br>[31.49] | 1.10<br>[27.94] | .32<br>[8.12]   | 0.992<br>[25.19] |
| 12        | 1.30<br>[33.02] | 1.20<br>[30.48] | .38<br>[9.65]   | 1.108<br>[28.14] |
| 14        | 1.37<br>[34.79] | 1.15<br>[29.21] | .48<br>[12.19]  | 1.274<br>[32.35] |
| 16        | 1.46<br>[37.08] | 1.20<br>[30.48] | .56<br>[14.22]  | 1.505<br>[38.22] |
| 18        | 1.64<br>[41.65] | 1.15<br>[29.21] | .50<br>[12.7]   | 1.622<br>[41.19] |
| 20        | 1.67<br>[42.41] | 1.20<br>[30.48] | .59<br>[14.98]  | 1.671<br>[42.44] |
| 22        | 1.95<br>[49.53] | 1.20<br>[30.48] | .59<br>[14.98]  | 1.810<br>[45.97] |
| 24        | 1.95<br>[49.53] | 1.20<br>[30.48] | .64<br>[16.25]  | 1.905<br>[48.38] |

TABLE III

| MAX<br>ENTRY<br>SIZE<br>TYPE I | S<br>DIA                          | Z<br>+.010<br>-.020 |
|--------------------------------|-----------------------------------|---------------------|
| 04                             | .376<br>[9.55]<br>.370 [9.40]     | .250<br>[6.35]      |
| 06                             | .501<br>[12.73]<br>.495 [12.57]   | .375<br>[9.53]      |
| 08                             | .626<br>[15.90]<br>.619 [15.72]   | .500<br>[12.70]     |
| 10                             | .752<br>[19.10]<br>.742 [18.85]   | .625<br>[15.88]     |
| 12                             | .877<br>[22.28]<br>.867 [22.02]   | .750<br>[19.05]     |
| 14                             | 1.002<br>[25.45]<br>.991 [25.17]  | .875<br>[22.23]     |
| 16                             | 1.127<br>[28.63]<br>1.116 [28.35] | 1.000<br>[25.40]    |
| 18                             | 1.252<br>[31.80]<br>1.241 [31.52] | 1.125<br>[28.58]    |
| 20                             | 1.377<br>[34.98]<br>1.366 [34.70] | 1.250<br>[31.75]    |

If this document is printed it becomes uncontrolled. Check for the latest revision

Raychem Adapters

CUSTOMER DRAWING

|             |                     |                   |          |
|-------------|---------------------|-------------------|----------|
| SIZE<br>A   | CAGE CODE:<br>06090 | DWG. NO.<br>SLC54 | REV<br>A |
| SCALE: NONE |                     | SHEET 3 OF 3      |          |

## Данный компонент на территории Российской Федерации

### Вы можете приобрести в компании MosChip.

Для оперативного оформления запроса Вам необходимо перейти по данной ссылке:

<http://moschip.ru/get-element>

Вы можете разместить у нас заказ для любого Вашего проекта, будь то серийное производство или разработка единичного прибора.

В нашем ассортименте представлены ведущие мировые производители активных и пассивных электронных компонентов.

Нашей специализацией является поставка электронной компонентной базы двойного назначения, продукции таких производителей как XILINX, Intel (ex.ALTERA), Vicor, Microchip, Texas Instruments, Analog Devices, Mini-Circuits, Amphenol, Glenair.

Сотрудничество с глобальными дистрибьюторами электронных компонентов, предоставляет возможность заказывать и получать с международных складов практически любой перечень компонентов в оптимальные для Вас сроки.

На всех этапах разработки и производства наши партнеры могут получить квалифицированную поддержку опытных инженеров.

Система менеджмента качества компании отвечает требованиям в соответствии с ГОСТ Р ИСО 9001, ГОСТ РВ 0015-002 и ЭС РД 009

### Офис по работе с юридическими лицами:

105318, г.Москва, ул.Щербаковская д.3, офис 1107, 1118, ДЦ «Щербаковский»

Телефон: +7 495 668-12-70 (многоканальный)

Факс: +7 495 668-12-70 (доб.304)

E-mail: [info@moschip.ru](mailto:info@moschip.ru)

Skype отдела продаж:

moschip.ru

moschip.ru\_4

moschip.ru\_6

moschip.ru\_9