

K Series Contactors

DC Electrically Held Units

For factory-direct application assistance, contact the HARTMAN product team at (419) 521-9500, Fax (419) 526-2749.

K Series contactors are among the smallest, lightest 200-400amp contactors currently available in the aerospace industry. They are designed for use in DC power distribution systems for private, military and commercial aircraft; or ground vehicle applications.

Built to meet or exceed the requirements of Mil-R-6106



Buss Bar Mount Version



Chassis Mount Version

Part No.*	Voltage	Current Rating	Mounting
K-200A3C	28Vdc	200 Amps	Chassis
K-200B3C	28Vdc	200 Amps	Buss Bar
K-300A5C	28Vdc	300 Amps	Chassis
K-300B5C	28Vdc	300 Amps	Buss Bar
K-400A5C	28Vdc	400 Amps	Chassis
K-400B5C	28Vdc	400 Amps	Buss Bar

* Each have 2 Form Z auxiliary contacts and coil suppression

Features

Physical

- Environmentally sealed
- Repairable
- 0.50 lbs. - 0.75 lbs.

Environmental

- Temperature range -55 to +85°C
- 25G shock
- 10G vibration

Power switching

- S.P.S.T. normally open
- 28 Volts
- 200-400A make/carry/break
- 1000-2000A inrush
- 2000-4000A maximum interrupt

Auxiliary switching**

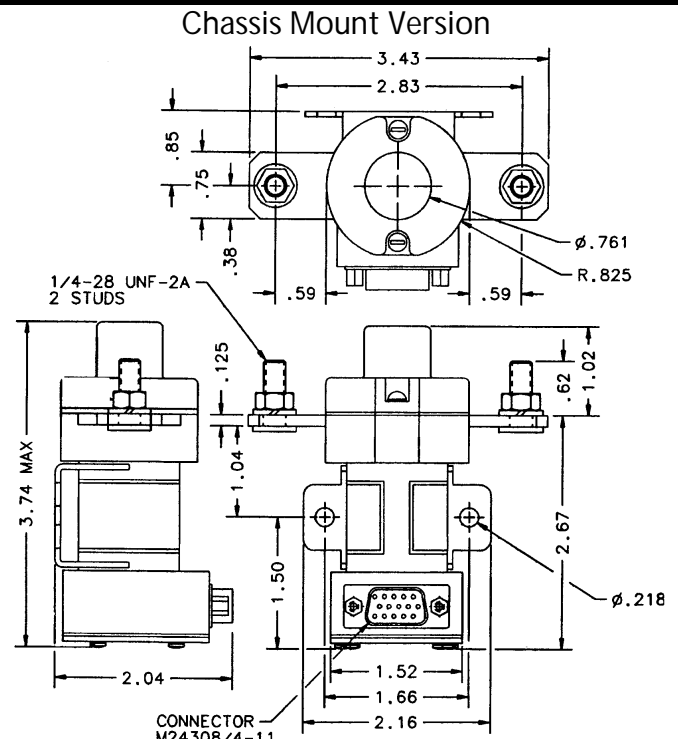
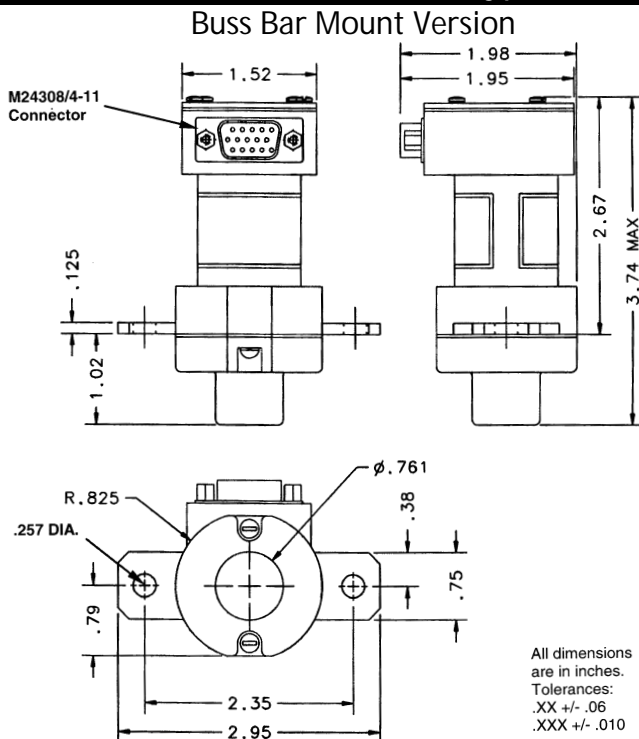
- Up to 2 Form Z
- Up to 2 Form C
- 5 ampere 28 Vdc or 115 Vac

Coil voltage and power

- 28V/9.1W nominal
- Self economizing

** Other auxiliary arrangements or no auxiliary contacts available

Typical Contactor Dimensions



All dimensions are in inches. Tolerances: .XX +/- .06 .XXX +/- .010

Note : Dimensions shown are for K-300 Series contactors. K-200 Series contactors are slightly smaller in size; K-400 Series contactors are slightly larger in size.

General Operating Specifications

Physical Data

Main contact arrangement	SPST-NO
Form	X
Auxiliary contact arrangement	Up to 2 Form Z or C
Weight	0.50 lbs - 0.75 lbs

Environmental Data

Shock, 11ms 1/2 sine (operating)	25 Gpeak
Vibration, sine 10-2000 Hz	10 Grms
Vibration, random 10-2000 Hz	5 Grms
Operating temperature range	-55 to +85°C
Storage temperature range	-55 to +125°C

Main Contacts Electrical Data

Rated operating voltage	32 Vdc maximum
Load polarity (make, carry, break)	Bi-directional
Continuous current carry	200 Amps/300 Amps/400 Amps
In-rush current	1000 Amps/1500 Amps/2000 Amps
Maximum interrupt (50 times)	2000 Amps/3000 Amps/4000 Amps
Electrical current switching life @ 28Vdc	
Resistive load (make, carry, break)	50K cycles minimum
Motor load (make, carry, break)	50K cycles minimum
Inductive load (make, carry, break)	50K cycles minimum
Maximum contact voltage drop @ rated amps (see note 2)	0.125 Vdc
Insulation resistance @ 500 Vdc	100 Milliohms
Dielectric withstanding voltage @ sea level (leakage less than 1.0 mA, 1 minute continuous)	1800 Vrms

Auxiliary Contacts Electrical Data

Rated operating voltage	28 Vdc/115 Vac
Load polarity (make, carry, break)	Bi-directional
Continuous current carry	5 Amps
Low level (see note 1)	1 mA

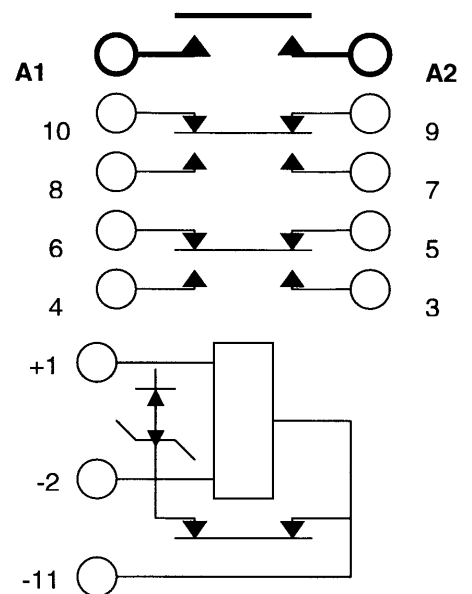
Mechanical Data

Operate time @ 18-32 Vdc	35 Ms maximum
Dropout time @ 18-32 Vdc	20 Ms maximum
Bounce @ 18-32 Vdc	4 Ms maximum
Mechanical life @ 25% rated resistive load	100K cycles

Coil Data

Duty cycle	Continuous
Maximum operate voltage	32 Vdc
Nominal operate voltage	28 Vdc
Maximum pickup voltage	16 Vdc
Maximum dropout voltage (see note 3)	9 Vdc
Coil current @ 32 Vdc and -55°C	
Inrush (12 mS max)	5.5 Amps maximum
Holding	0.400 Amps maximum
Nominal coil resistance @ 22°C	
Pickup	5.5 ohms
Holding	86.5 ohms
Nominal coil power	9.1 watts
Coil transient suppression	42 Vdc maximum

Typical Schematic Diagram



Notes

1. Auxiliary contacts are gold plated. 1 mA rating does not apply if contacts have switched loads above 1 mA.
2. 150 mV After Life test.
3. Dropout is 3.5 Vdc max when used as a start contactor with the coil center tap utilized.



For factory-direct application assistance, contact the HARTMAN product team at (419) 521-9500, Fax (419) 526-2749.

© 2004 by Tyco Electronics Corporation. All Rights Reserved. HARTMAN and TYCO are trademarks.

Данный компонент на территории Российской Федерации

Вы можете приобрести в компании MosChip.

Для оперативного оформления запроса Вам необходимо перейти по данной ссылке:

<http://moschip.ru/get-element>

Вы можете разместить у нас заказ для любого Вашего проекта, будь то серийное производство или разработка единичного прибора.

В нашем ассортименте представлены ведущие мировые производители активных и пассивных электронных компонентов.

Нашей специализацией является поставка электронной компонентной базы двойного назначения, продукции таких производителей как XILINX, Intel (ex.ALTERA), Vicor, Microchip, Texas Instruments, Analog Devices, Mini-Circuits, Amphenol, Glenair.

Сотрудничество с глобальными дистрибьюторами электронных компонентов, предоставляет возможность заказывать и получать с международных складов практически любой перечень компонентов в оптимальные для Вас сроки.

На всех этапах разработки и производства наши партнеры могут получить квалифицированную поддержку опытных инженеров.

Система менеджмента качества компании отвечает требованиям в соответствии с ГОСТ Р ИСО 9001, ГОСТ РВ 0015-002 и ЭС РД 009

Офис по работе с юридическими лицами:

105318, г.Москва, ул.Щербаковская д.3, офис 1107, 1118, ДЦ «Щербаковский»

Телефон: +7 495 668-12-70 (многоканальный)

Факс: +7 495 668-12-70 (доб.304)

E-mail: info@moschip.ru

Skype отдела продаж:

moschip.ru

moschip.ru_4

moschip.ru_6

moschip.ru_9