

MOTOR DISCONNECT SWITCHES

FEATURES AND BENEFITS:

- One of the smallest 60A switches in the industry with compact design
- Advanced switch technology (use of silver contacts ensures safe and durable operation)
- Across the line, motor starting - up to 75hp/600V
- General Use Rating - 25A to 150A/600V
- Available as rotary switches for extended or direct handle
- Toggle switches
- Non-fused switch
- Interrupting capacity 10kA with back-up fuse
- DIN Rail and panel mount available
- Comprehensive range of accessories includes Door Mounting Kits & Fuse Holder
- Snap on auxiliary contacts
- Enclosed switches with NEMA Type 4x rating

UL508 Listed Manual Motor Controllers

with Disconnecting Means



AC Motor Across-The-Line
AC General Use



EXTENDED / DIRECT HANDLE MOTOR DISCONNECT SWITCH

KU/VKA switches	4-5
Extended Handle Accessories	6
Direct Handle Accessories	7



TOGGLE HANDLE MOTOR DISCONNECT SWITCH

KUE/EVA Switches and Accessories	10-11
----------------------------------	-------



ENCLOSED MOTOR DISCONNECT SWITCHES & FUSED ENCLOSED MOTOR DISCONNECT SWITCH (30A)

KEM Switches and Accessories	12-13
KKVM Fused Switch and Accessories	13

APPLICATION EXAMPLES

	8-9
--	-----

Extended/Direct Handle Motor Disconnect Switch



The KU/VKA...N series can be used with extended and direct handles (see page 8-9 for details).



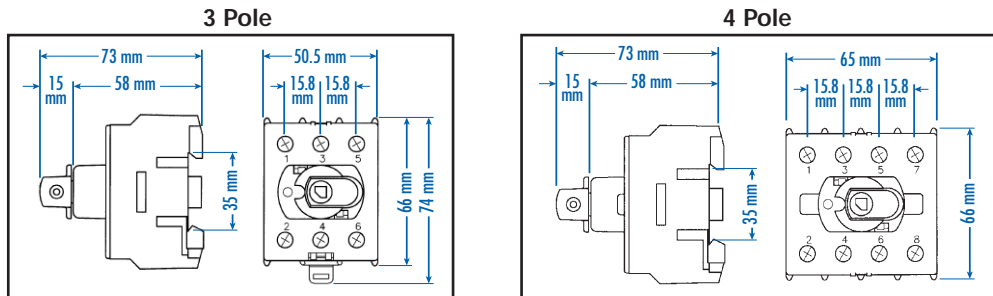
Catalog Number	KU325N	KU340N	KU363N
No. of Poles	3 (4 pole - KU425N)	3 (4 pole - KU440N)	3 (4 pole - KU463N)
General Purpose Current	25A	40A	60A
Maximum Voltage	600V AC	600V AC	600V AC
Motor FLA @ 480V AC	17.5A	28A	34A
Motor FLA @ 600V AC	11A	18A	27A

Horsepower Rating /HP	KU325N		KU340N		KU363N	
	1 Phase	3 Phase	1 Phase	3 Phase	1 Phase	3 Phase
110-120V AC	1	2	2	3	3	5
200V AC	2	5	3	7.5	5	10
208V AC	2	5	3	7.5	5	10
220-240V AC	3	7.5	5	10	5	10
265V AC	3	7.5	5	10	5	10
277V AC	3	7.5	5	10	7.5	10
380-415V AC	5	10	7.5	15	10	20
440-480V AC	7.5	15	10	20	15	25
550-600V AC	5	10	7.5	15	15	25

Short Circuit Withstand Rating at 600 V with Max. Fuse Size/Class:	KU325N		KU340N		KU363N	
	10kA		10kA		10kA	
K5	50A		50A		60A	
RK5	50A		50A		60A (80A@480V AC)	
RK1	80A		80A		100A	
J	80A		80A		100A	

Terminal Size Acceptability	KU325N	KU340N	KU363N
(Cu Conductors only, 75°C)	14-8AWG	14-8AWG	12-4AWG
Terminal Torque	16 lb. in.	16 lb. in.	16 lb. in.

Dimensions
(to convert to inches multiply by 0.03937)



Weight	KU325N		KU340N		KU363N	
	3 pole	4 pole	3 pole	4 pole	3 pole	4 pole
	0.172Kg (0.379lb.)	0.215Kg (0.474lb.)	0.172Kg (0.379lb.)	0.215Kg (0.474lb.)	0.172Kg (0.379lb.)	0.215Kg (0.474lb.)

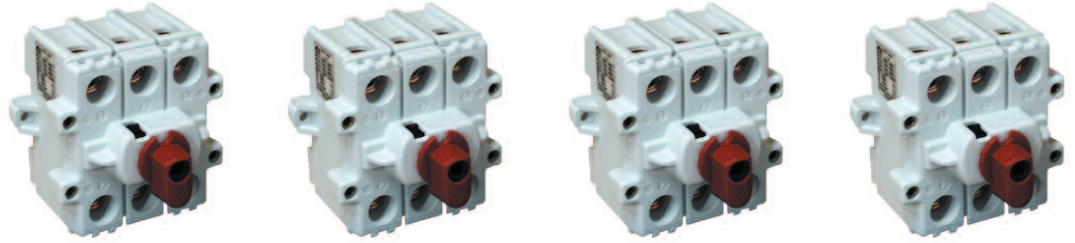
Suitable Accessories

Extended Handle Version/ Door Interlock Mechanism

Accessory	KU325N	KU340N	KU363N
Shaft	L1(2,3)00AD11-ST	L1(2,3)00AD11-ST	L1(2,3)00AD11-ST
Handles	LK10 (Y/R) UL, LK11 (Y/R) U	LK10 (Y/R) UL, LK11 (Y/R) U	LK10 (Y/R) UL, LK11 (Y/R) U
Auxiliary Switch	KU1.V, KU2.V	KU1.V, KU2.V	KU1.V, KU2.V
Fuse Holder	—	KV 10x38, KV 10x38 CC	—

Direct Handle Version

Accessory	KU325N	KU340N	KU363N
Handle for 3 Pole	K/KU3P (Y/R)	K/KU3P (Y/R)	K/KU3P (Y/R)
Handle for 4 Pole	K/KU4P (Y/R)	K/KU4P (Y/R)	K/KU4P (Y/R)
Door Mounting Kits	OKA0.V (Y/R), OKA/KU LK10 (Y/R)	OKA0.V (Y/R), OKA/KU LK10 (Y/R)	OKA0.V (Y/R), OKA/KU LK10 (Y/R)



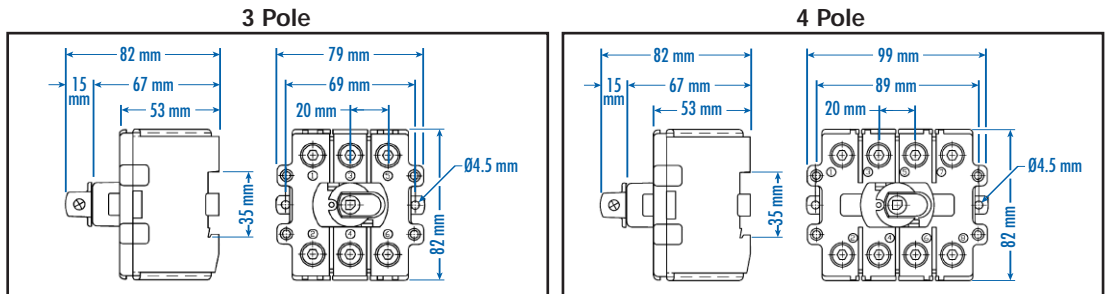
Catalog Number	VKA380N	VKA3100N	VKA3125N	VKA3160N
No. of Poles	3 (4 pole - VKA480N)	3 (4 pole - VKA4100N)	3 (4 pole - VKA4125N)	3 (4 pole - VKA4160N)
General Purpose Current	80A	100A	125A	150A
Maximum Voltage	600V AC	600V AC	600V AC	600V AC
Motor FLA @ 480V AC	-	-	-	-
Motor FLA @ 600V AC	47A	54A	68A	83A

Horsepower Rating /HP	1 Phase		3 Phase		1 Phase		3 Phase		1 Phase		3 Phase	
	3	7.5	3	7.5	5	10	7.5	10	7.5	10	25	30
110-120V AC	3	7.5	3	7.5	5	10	7.5	10	7.5	10	25	30
200V AC	7.5	10	7.5	15	10	20	10	20	10	20	25	30
208V AC	7.5	15	7.5	15	10	20	10	20	10	20	25	30
220-240V AC	7.5	15	10	20	15	25	15	25	15	25	30	30
265V AC	10	20	10	20	15	25	20	30	20	30	30	30
277V AC	10	20	10	20	15	30	20	30	20	30	30	30
380-415V AC	15	25	15	30	20	40	25	50	25	50	60	60
440-480V AC	20	30	20	40	25	50	30	60	30	60	60	60
550-600V AC	25	40	30	50	30	60	40	75	40	75	60	60

Short Circuit Withstand Rating at 600 V with Max. Fuse Size/Class:	10kA		10kA		10kA		10kA	
	150A	150A	150A	150A	150A	150A	150A	150A
K5	150A	150A	150A	150A	150A	150A	150A	150A
RK5	150A	150A	150A	150A	150A	150A	150A	150A
RK1	-	-	-	-	-	-	-	-
J	200A	200A	200A	200A	200A	200A	200A	200A

Terminal Size Acceptability (Cu Conductors only, 75°C)	4-1/0AWG	4-1/0AWG	4-1/0AWG	4-1/0AWG
Terminal Torque	50 lb. in.	50 lb. in.	50 lb. in.	50 lb. in.

Dimensions
(to convert to inches multiply by 0.03937)



Weight	0.480Kg (1.058lb.) (3 pole) 0.620Kg (1.367lb.) (4 pole)	0.480Kg (1.058lb.) (3 pole) 0.620Kg (1.367lb.) (4 pole)	0.480Kg (1.058lb.) (3 pole) 0.620Kg (1.367lb.) (4 pole)	0.480Kg (1.058lb.) (3 pole) 0.620Kg (1.367lb.) (4 pole)
--------	--	--	--	--

Suitable Accessories

**Extended Handle Version/
Door Interlock Mechanism**

Shaft	L1(2.3)00AD11-ST	L1(2.3)00AD11-ST	L1(2.3)00AD11-ST	L1(2.3)00AD11-ST
Handles	LK10 (Y/R) UL, LK11 (Y/R) U	LK10 (Y/R) UL, LK11 (Y/R) U	LK10 (Y/R) UL, LK11 (Y/R) U	LK10 (Y/R) UL, LK11 (Y/R) U
Auxiliary Switch	VKA1.V, VKA2.V	VKA1.V, VKA2.V	VKA1.V, VKA2.V	VKA1.V, VKA2.V
Fuse Holder	-	-	-	-

Direct Handle Version

Handle for 3 & 4 Pole	K/VKA3-4P (Y/R)	K/VKA3-4P (Y/R)	K/VKA3-4P (Y/R)	K/VKA3-4P (Y/R)
Door Mounting Kit	OKAV LK11 (Y/R)	OKAV LK11 (Y/R)	OKAV LK11 (Y/R)	OKAV LK11 (Y/R)

Extended Handle Accessories

DOOR INTERLOCK HANDLES

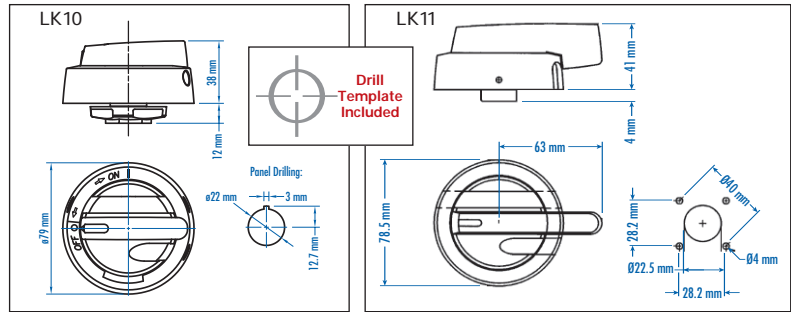
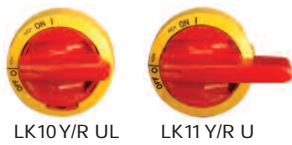
LK10 (Y/R) UL:

- Single hole mounting (22.5mm)
- Defeatable (built-in mechanism)



LK11 (Y/R) U:

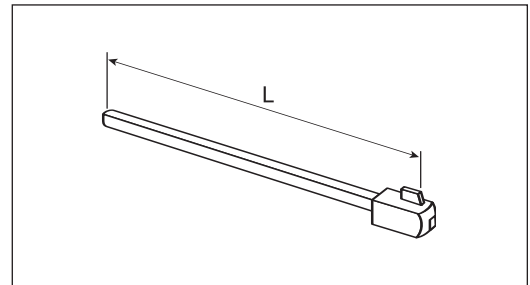
- Retention mechanism (only rotates 90° from off to on, keeps handle in off position while cabinet door is open)
- Defeatable (looses NEMA rating)



Cat. No.	LK10 UL	LK10Y/R UL	LK11 U	LK11 Y/R U
Environmental Rating	NEMA Type 4X, IP66	NEMA Type 4X, IP66	NEMA Type 4X, IP67	NEMA Type 4X, IP67
Color	Black	Yellow/Red	Black	Yellow/Red

DOOR INTERLOCK SHAFT

The steel shaft ensures reliable operation even in the toughest conditions.



Cat. No.	L100AD11-ST	L200AD11-ST	L300AD11-ST
Length (L)	100mm	200mm	300mm
Material	Steel	Steel	Steel

AUXILIARY SWITCHES

The auxiliary switches are the snap-on type and can be retrofitted.



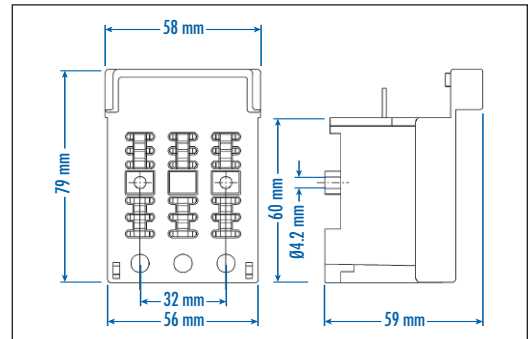
Cat. No.	KU1.V	KU2.V	VKA1.V	VKA2.V
Electrical Rating	10A/1/2HP/125-250V AC	10A/1/2HP/125-250V AC	10A/1/2HP/125-250V AC	10A/1/2HP/125-250V AC
No. of contacts	1n.o./1n.c.	2n.o./2n.c.	1n.o./1n.c.	2n.o./2n.c.
For Use With	KU models	KU models	VKA models	VKA models

FUSE HOLDER

This fuseholder can be retrofitted with the KU340N. Therefore design changes can be incorporated with ease to allow a fusible disconnect.



Cat. No.	KV 10x38	KV 10x38 CC
Electrical Rating	30A/600V AC	30A/600V AC
Fuse Type	10x38, Midget	Class CC
For Use With	KU340N	KU340N



Dimensions (to convert to inches multiply by 0.03937)

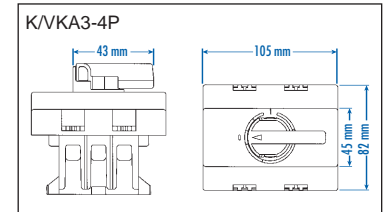
Direct Handle Accessories

DIRECT HANDLES

Improved design with metal shaft. Use for all your "inside the panel" applications.



Cat. No.	K/KU3P	K/KU3PY/R	K/KU4P	K/KU4PY/R	K/VKA3-4P	K/VKA3-4PY/R
Color	Black	Yellow/Red	Black	Yellow/Red	Black	Yellow/Red
For use with	KU models (3P)	KU models (3P)	KU models (4P)	KU models (4P)	VKA models (3/4P)	VKA models (3/4P)



DOOR MOUNTING KITS

Designed for fast and easy assembly.



Shown with switch and display plate. (sold separately)



Cat. No.	OKA 0.V	OKA 0.V Y/R
Environmental Rating	IP65	IP65
Color	Black	Yellow/Red
For use with	KU models (3P)	KU models (3P)



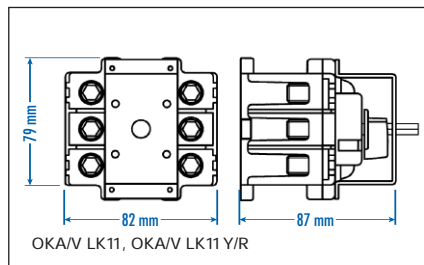
Shown with switch and display plate. (sold separately)



Cat. No.	OKA/KU LK10	OKA/KU LK10 Y/R
Environmental Rating	NEMA Type 4X, IP66	NEMA Type 4X, IP66
Color	Black	Yellow/Red
For use with	KU models (3P)	KU models (3P)



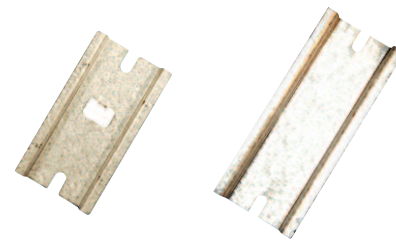
Shown with switch. (sold separately)



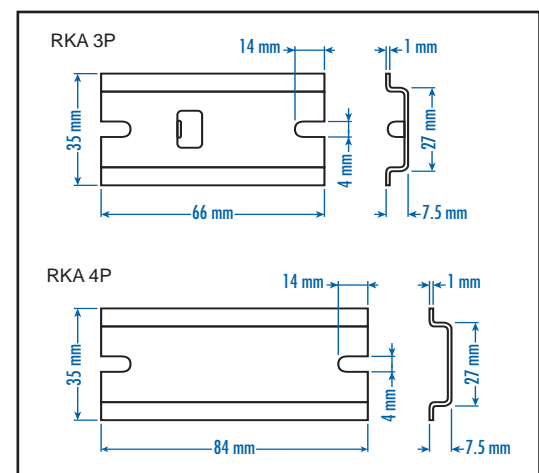
Cat. No.	OKA/V LK11	OKA/V LK11 Y/R
Environmental Rating	NEMA Type 4X, IP67	NEMA Type 4X, IP67
Color	Black	Yellow/Red
For use with	VKA models (3P)	VKA models (3P)

MOUNTING ALTERNATIVES - ALUMINUM DIN RAIL

Panel mount option for small Disconnect Switches.



Cat. No.	RKA 3P	RKA 4P
For Use With	KU325/40/63N	KU425/40/63N



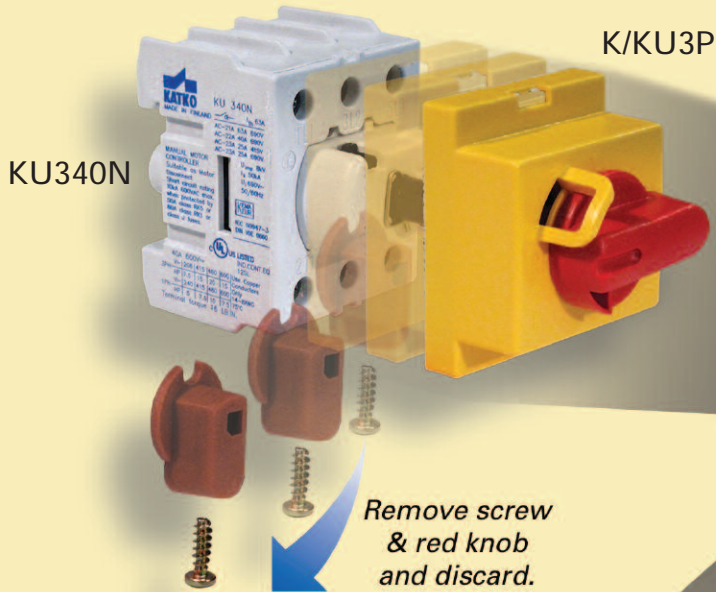
NOTE:

In the rare case that your mounting hardware (screws) for DIN Rail interfere with the enforcement studs in the back of the Motor Disconnect Switch please use smaller ($\leq M3$ or equivalent) flathead screws or change your DIN Rail to the 15mm high version.

Dimensions (to convert to inches multiply by 0.03937)

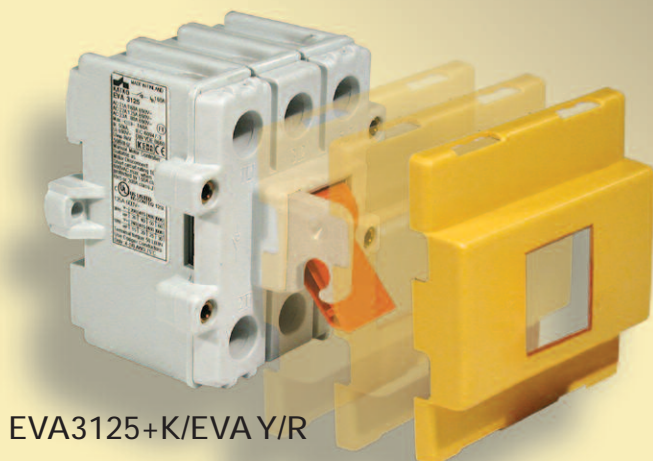
Direct Handle Motor Disconnect Switch

*Used when a switch is required
within a panel.*



Toggle Handle Motor Disconnect Switch

*Used when a switch is required
within a panel.*

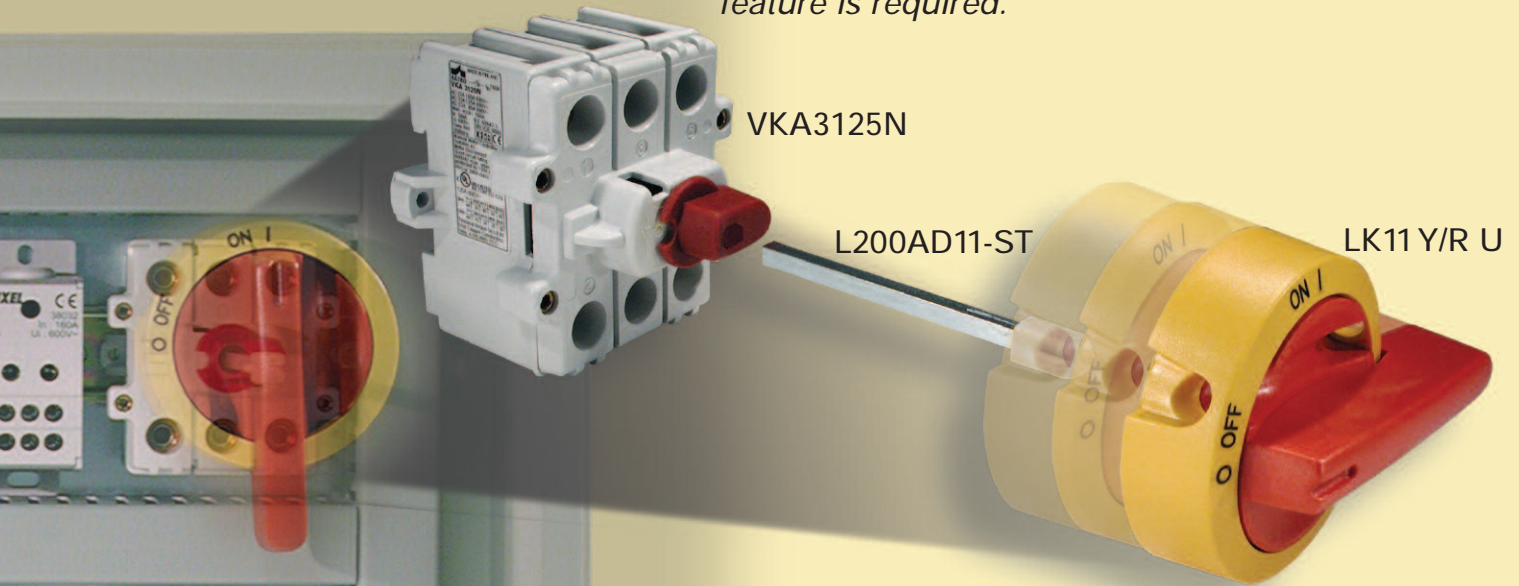


*Altech is a leading supplier
of circuit protection devices
and terminal blocks.*

Application Examples

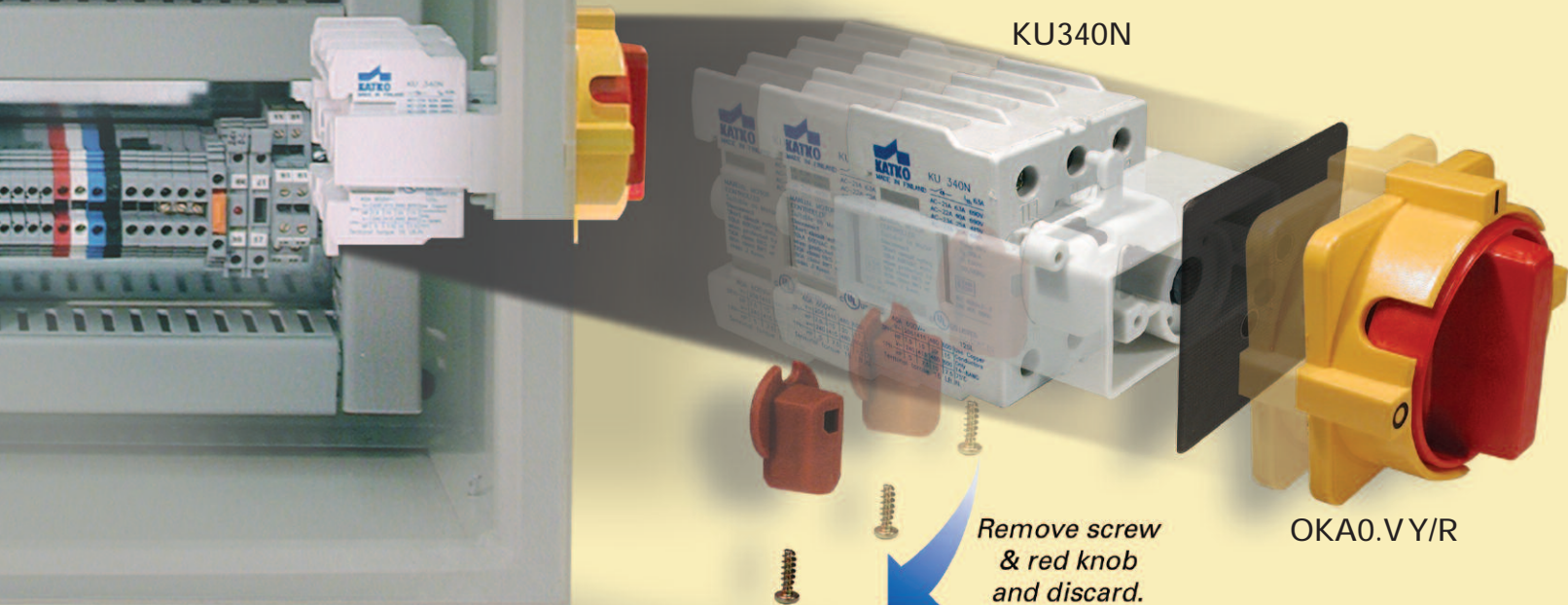
Extended Handle Motor Disconnect Switch

*Used when the door interlocking
feature is required.*



Direct Handle Motor Disconnect Switch with Door Mounting Kit

*Mounted on the door or on
the side of a panel.*



Toggle Handle Motor Disconnect Switch



The KUE series only requires an additional cover plate (see below) which makes the switch IP20 touch proof.



Catalog Number	KUE325	KUE340	KUE363
No. of Poles	3	3	3
General Purpose Current	25A	40A	60A
Maximum Voltage	600V AC	600V AC	600V AC
Motor FLA @ 480V AC	17.5A	28A	34A
Motor FLA @ 600V AC	11A	18A	27A

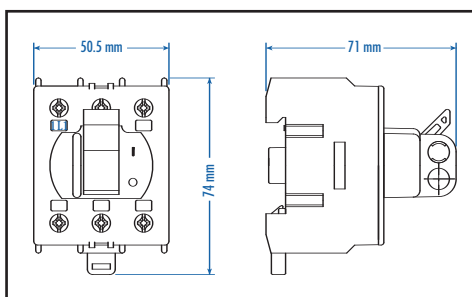
Horsepower Rating /HP	1 Phase	3 Phase	1 Phase	3 Phase	1 Phase	3 Phase
110-120V AC	1	2	2	3	3	5
200V AC	2	5	3	7.5	5	10
208V AC	2	5	3	7.5	5	10
220-240V AC	3	7.5	5	10	5	10
265V AC	3	7.5	5	10	5	10
277V AC	3	7.5	5	10	7.5	10
380-415V AC	5	10	7.5	15	10	20
440-480V AC	7.5	15	10	20	15	25
550-600V AC	5	10	7.5	15	15	25

Short Circuit Withstand Rating at 600 V with Max. Fuse Size/Class:	10kA	10kA	10kA
K5	50A	50A	60A
RK5	50A	50A	60A (80A@480V AC)
RK1	80A	80A	100A
J	80A	80A	100A

Terminal Size Acceptability (Cu Conductors only, 75°C)	14-8AWG	14-8AWG	12-4AWG
Terminal Torque	16 lb. in.	16 lb. in.	16 lb. in.

Dimensions

(to convert to inches multiply by 0.03937)



Weight	0.172Kg (0.379lb.)	0.172Kg (0.379lb.)	0.172Kg (0.379lb.)
--------	--------------------	--------------------	--------------------

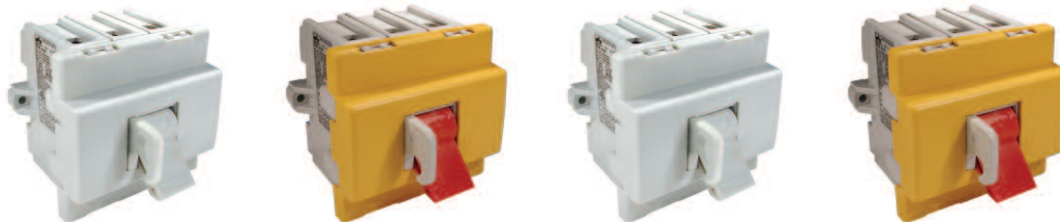
Suitable Accessories

Cover Plate



Cat. No.	K/KUE	K/KUE Y	R/KUE	R/KUE Y
Color	Grey	Yellow	Grey	Yellow
Shape	Rectangular	Rectangular	Circular	Circular

The EVA series includes a cover plate.



Catalog Number

White Cover/ White Handle
Yellow Cover/ Red Handle

	EVA380 + K/EVA EVA380 + K/EVA Y/R	EVA3100 + K/EVA EVA3100 + K/EVA Y/R	EVA3125 + K/EVA EVA3125 + K/EVA Y/R	EVA3160 + K/EVA EVA3160 + K/EVA Y/R
No. of Poles	3	3	3	3
General Purpose Current	80A	100A	125A	150A
Maximum Voltage	600V AC	600V AC	600V AC	600V AC
Motor FLA @ 480V AC	—	—	—	—
Motor FLA @ 600V AC	47A	54A	68A	83A

Horsepower Rating /HP

	1 Phase	3 Phase	1 Phase	3 Phase	1 Phase	3 Phase	1 Phase	3 Phase
110-120V AC	3	7.5	3	7.5	5	10	7.5	10
200V AC	7.5	10	7.5	15	10	20	10	25
208V AC	7.5	15	7.5	15	10	20	10	25
220-240V AC	7.5	15	10	20	15	25	15	30
265V AC	10	20	10	20	15	25	20	30
277V AC	10	20	10	20	15	30	20	30
380-415V AC	15	25	15	30	20	40	25	50
440-480V AC	20	30	20	40	25	50	30	60
550-600V AC	25	40	30	50	30	60	40	75

Short Circuit Withstand Rating at 600 V with Max. Fuse Size/Class:

	10kA	10kA	10kA	10kA
K5	150A	150A	150A	150A
RK5	150A	150A	150A	150A
RK1	—	—	—	—
J	200A	200A	200A	200A

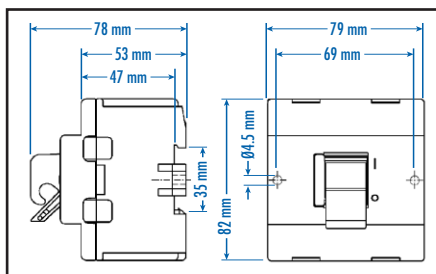
Terminal Size

Acceptability	4-1/0AWG	4-1/0AWG	4-1/0AWG	4-1/0AWG
(Cu Conductors only, 75°C)				

Terminal Torque	50 lb. in.	50 lb. in.	50 lb. in.	50 lb. in.
-----------------	------------	------------	------------	------------

Dimensions

(to convert to inches multiply by 0.03937)



Weight	0.480Kg (1.058lb.) (3 pole)	0.480Kg (1.058lb.) (3 pole)	0.480Kg (1.058lb.) (3 pole)	0.480Kg (1.058lb.) (3 pole)
--------	-----------------------------	-----------------------------	-----------------------------	-----------------------------

Enclosed Motor Disconnect Switch



These enclosed switches can be used locally at the motor.



Catalog Number

Black Handle	KEM325UL	KEM340UL	KEM360UL	KEM380UL
Yellow/ Red Handle	KEM325UL Y/R	KEM340UL Y/R	KEM360UL Y/R	KEM380UL Y/R
No. of Poles	3*	3*	3*	3*
General Purpose Current	25A	40A	60A	80A
Maximum Voltage	600V AC	600V AC	600V AC	600V AC
Motor FLA @ 480V AC	17.5A	28A	34A	-
Motor FLA @ 600V AC	11A	18A	27A	47A

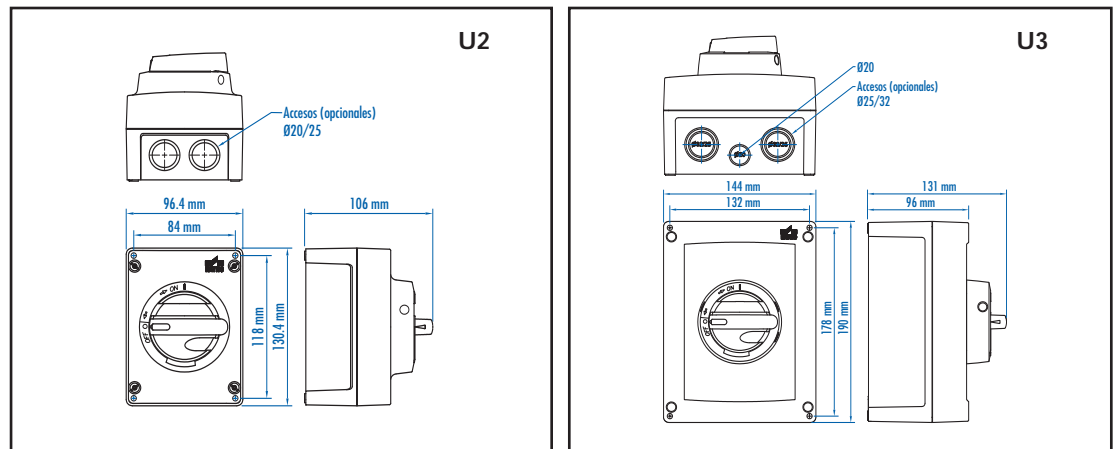
Horsepower Rating /HP	1 Phase	3 Phase	1 Phase	3 Phase	1 Phase	3 Phase	1 Phase	3 Phase
110-120V AC	1	2	2	3	3	5	3	7.5
200V AC	2	5	3	7.5	5	10	7.5	10
208V AC	2	5	3	7.5	5	10	7.5	15
220-240V AC	3	7.5	5	10	5	10	7.5	15
265V AC	3	7.5	5	10	5	10	10	20
277V AC	3	7.5	5	10	7.5	10	10	20
380-415V AC	5	10	7.5	15	10	20	15	25
440-480V AC	7.5	15	10	20	15	25	20	30
550-600V AC	5	10	7.5	15	15	25	25	40

Short Circuit Withstand Rating at 600 V with Max. Fuse Size/Class:	10kA	10kA	10kA	10kA
K5	50A	50A	60A	150A
RK5	50A	50A	60A (80A@480V AC)	150A
RK1	80A	80A	100A	-
J	80A	80A	100A	200A

Terminal Size Acceptability (Cu Conductors only, 75°C)	14-8AWG	14-8AWG	12-4AWG	4-1/0AWG
Terminal Torque	16 lb. in.	16 lb. in.	16 lb. in.	50 lb. in.
Environmental Rating	NEMA Type 4X	NEMA Type 4X	NEMA Type 4X	NEMA Type 4X
Enclosure Type Used	U2	U3	U3	U3

Dimensions

(to convert to inches multiply by 0.03937)



Weight	0.49kg (1.08 lb.)	0.72kg (1.587 lb.)	0.773kg (1.698 lb.)	1.021kg (2.249 lb.)
--------	-------------------	--------------------	---------------------	---------------------

Suitable Accessories

Auxiliary Contacts	KU1.V, KU2.V	KU1.V, KU2.V	KU1.V, KU2.V	VKA1.V, VKA2.V
--------------------	--------------	--------------	--------------	----------------

*Also available in 4 pole models. Contact Altech for part numbers.



KEM3100L
KEM3100L Y/R

3*

100A

600V AC

-

54A

1 Phase 3 Phase

3 7.5

7.5 15

7.5 15

10 20

10 20

10 20

15 30

20 40

30 50

10kA

150A

150A

-

200A

4-1/0AWG

50 lb. in.

NEMA Type 4X

MF10



KEM3125L
KEM3125L Y/R

3*

125A

600V AC

-

68A

1 Phase 3 Phase

5 10

10 20

10 20

15 25

15 25

15 30

20 40

30 50

30 60

10kA

150A

150A

-

200A

4-1/0AWG

50 lb. in.

NEMA Type 4X

MF10



KEM3150L
KEM3150L Y/R

3*

150A

600V AC

-

83A

1 Phase 3 Phase

7.5 10

10 25

10 25

15 30

20 30

20 30

25 50

30 60

40 75

10kA

150A

150A

-

200A

4-1/0AWG

50 lb. in.

NEMA Type 4X

MF11UL

FUSED



KKVM332, KKVM332CC
KKVM332 Y/R, KKVM332CC Y/R

3

30A

600V AC

Cat. No.

Fuse Type

KKVM 332 (Y/R)

10x38,
Midget

KKVM 332CC (Y/R)

Class CC

10kA

50A

50A

80A

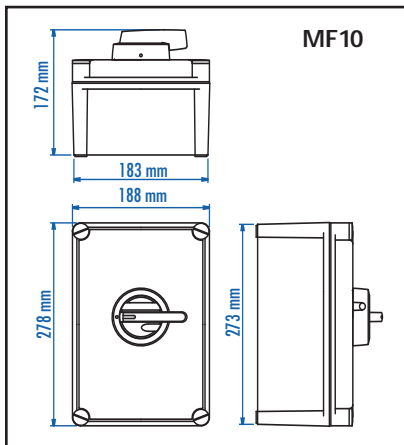
80A

14-8AWG

16 lb. in.

NEMA Type 4X

U3



MF10

172 mm

183 mm

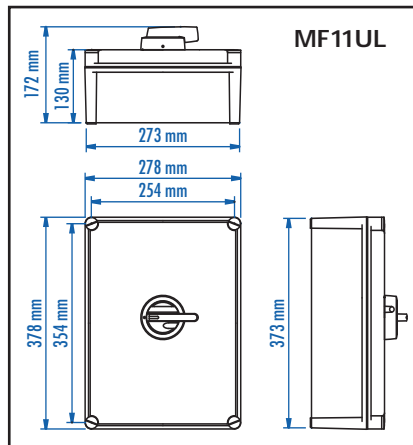
188 mm

278 mm

273 mm

1.9051kg (4.2 lb.)

VKA1.V, VKA2.V



MF11UL

172 mm

130 mm

273 mm

278 mm

254 mm

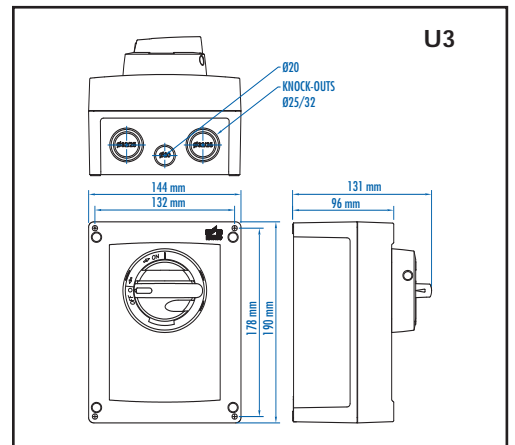
378 mm

354 mm

373 mm

2.8351kg (6.25 lb.)

VKA1.V, VKA2.V



U3

Ø20
KNOCK-OUTS
Ø25/32

144 mm

132 mm

131 mm

96 mm

178 mm

190 mm

0.998kg (2.2 lb.)

KU1.V, KU2.V

Stainless Steel Enclosed Motor Disconnect Switch



These enclosures are ideal where chemicals are used for cleaning and maintenance such as food processing plants and breweries. Mining is another application area. Their stainless steel construction is extremely resistant to corrosion, and the enclosure is also rated to IP66.



Catalog Number

Black Handle

Yellow/ Red Handle

No. of Poles
General Purpose Current
Maximum Voltage
Motor FLA @ 480V AC
Motor FLA @ 600V AC

KER325UL
KER325UL Y/R

3*
25A
600V AC
17.5A
11A

KER340UL
KER340UL Y/R

3*
40A
600V AC
28A
18A

Horsepower Rating /HP

110-120V AC
200V AC
208V AC
220-240V AC
265V AC
277V AC
380-415V AC
440-480V AC
550-600V AC

1 Phase	3 Phase
1	2
2	5
2	5
3	7.5
3	7.5
3	7.5
5	10
7.5	15
5	10

1 Phase	3 Phase
2	3
3	7.5
3	7.5
5	10
5	10
5	10
7.5	15
10	20
7.5	15

Short Circuit Withstand Rating at 600 V with Max. Fuse Size/Class:

K5
RK5
RK1
J

10kA
50A
50A
80A
80A

10kA
50A
50A
80A
80A

Terminal Size Acceptability

(Cu Conductors only, 75°C)

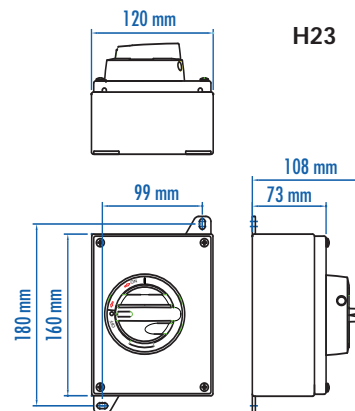
Terminal Torque
Environmental Rating
Enclosure Type Used

14-8AWG
16 lb. in.
NEMA Type 4X
H23

14-8AWG
16 lb. in.
NEMA Type 4X
H23

Dimensions

(to convert to inches multiply by 0.03937)



Weight

1.2kg (2.646 lb)

1.2kg (2.646 lb)

Suitable Accessories

Auxiliary Contacts

KU1.V, KU2.V

KU1.V, KU2.V

*Also available in 4 pole models. Contact Altech for part numbers.



**KER360UL
KER360ULY/R**

**KER380UL
KER380ULY/R**

**KER3100UL
KER3100ULY/R**

**KER3125UL
KER3125ULY/R**

3*
60A
600V AC
34A
27A

3*
80A
600V AC
-
47A

3*
100A
600V AC
-
54A

3*
125A
600V AC
-
68A

1 Phase	3 Phase
3	5
5	10
5	10
5	10
5	10
7.5	10
10	20
15	25
15	25

1 Phase	3 Phase
3	7.5
7.5	10
7.5	15
7.5	15
10	20
10	20
15	25
20	30
25	40

1 Phase	3 Phase
3	7.5
7.5	15
7.5	15
10	20
10	20
10	20
15	30
20	40
30	50

1 Phase	3 Phase
5	10
10	20
10	20
15	25
15	25
15	30
20	40
30	50
30	60

10kA
60A
60A (80A@480V AC)
100A
100A

10kA
150A
150A
-
200A

10kA
150A
150A
-
200A

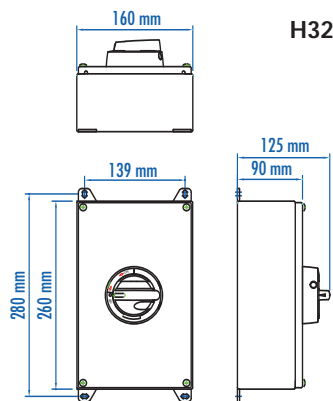
10kA
150A
150A
-
200A

12-4AWG
16 lb. in.
NEMA Type 4X
H32

4-1/0AWG
50 lb. in.
NEMA Type 4X
H32

4-1/0AWG
50 lb. in.
NEMA Type 4X
H32

4-1/0AWG
50 lb. in.
NEMA Type 4X
H32



2.3kg (5.071 lb.)

1.021kg (2.249 lb.)

1.9051kg (4.2 lb.)

1.9051kg (4.2 lb.)

KU1.V, KU2.V

VKA1.V, VKA2.V

VKA1.V, VKA2.V

VKA1.V, VKA2.V

Motor Disconnect Switches Index

Part Number	Page	Part Number	Page
EVA3100 + K/EVA	11	KER3125UL	15
EVA3100 + K/EVA Y/R	11	KER3125UL Y/R	15
EVA3125 + K/EVA	11	KKVM322	13
EVA3125 + K/EVA Y/R	11	KKVM322 Y/R	13
EVA3160 + K/EVA	11	KKVM322CC	13
EVA3160 + K/EVA Y/R	11	KKVM322CC Y/R	13
EVA380 + K/EVA	11	KU1.V	6
EVA380 + K/EVA Y/R	11	KU2.V	6
K/KU3P	7	KU325N	4
K/KU3P Y/R	7	KU340N	4
K/KU4P	7	KU363N	4
K/KU4P Y/R	7	KUE325	10
K/KUE	10	KUE340	10
K/KUE Y	10	KUE363	10
K/VKA3-4P	7	KV 10x38	6
K/VKA3-4P Y/R	7	KV 10x38 CC	6
KEM3100L	13	L100AD11-ST	6
KEM3100L Y/R	13	L200AD11-ST	6
KEM3125L	13	L300AD11-ST	6
KEM3125L Y/R	13	LK10 UL	6
KEM3150L	13	LK10 Y/R UL	6
KEM3150L Y/R	13	LK11 U	6
KEM325UL	12	LK11 Y/R U	6
KEM325UL Y/R	12	OKA 0.V	7
KEM340UL	12	OKA 0.V Y/R	7
KEM340UL Y/R	12	OKA/KU LK10	7
KEM360UL	12	OKA/KU LK10 Y/R	7
KEM360UL Y/R	12	OKA/V LK11	7
KEM380UL	12	OKA/V LK11 Y/R	7
KEM380UL Y/R	12	R/KUE	10
KER325UL	14	R/KUE Y	10
KER325UL Y/R	14	RKA 3P	7
KER340UL	14	RKA 4P	7
KER340UL Y/R	14	VKA1.V	6
KER360UL	15	VKA2.V	6
KER360UL Y/R	15	VKA3100N	5
KER380UL	15	VKA3125N	5
KER380UL Y/R	15	VKA3160N	5
KER3100UL	15	VKA380N	5
KER3100UL Y/R	15		

Данный компонент на территории Российской Федерации

Вы можете приобрести в компании MosChip.

Для оперативного оформления запроса Вам необходимо перейти по данной ссылке:

<http://moschip.ru/get-element>

Вы можете разместить у нас заказ для любого Вашего проекта, будь то серийное производство или разработка единичного прибора.

В нашем ассортименте представлены ведущие мировые производители активных и пассивных электронных компонентов.

Нашей специализацией является поставка электронной компонентной базы двойного назначения, продукции таких производителей как XILINX, Intel (ex.ALTERA), Vicor, Microchip, Texas Instruments, Analog Devices, Mini-Circuits, Amphenol, Glenair.

Сотрудничество с глобальными дистрибьюторами электронных компонентов, предоставляет возможность заказывать и получать с международных складов практически любой перечень компонентов в оптимальные для Вас сроки.

На всех этапах разработки и производства наши партнеры могут получить квалифицированную поддержку опытных инженеров.

Система менеджмента качества компании отвечает требованиям в соответствии с ГОСТ Р ИСО 9001, ГОСТ РВ 0015-002 и ЭС РД 009

Офис по работе с юридическими лицами:

105318, г.Москва, ул.Щербаковская д.3, офис 1107, 1118, ДЦ «Щербаковский»

Телефон: +7 495 668-12-70 (многоканальный)

Факс: +7 495 668-12-70 (доб.304)

E-mail: info@moschip.ru

Skype отдела продаж:

moschip.ru

moschip.ru_4

moschip.ru_6

moschip.ru_9