

Disc Type Capacitors with Lead

High Voltage Ceramic Capacitors Commercial Grade

CK45 series

Issue date: February 2013

- All specifications are subject to change without notice.
 - Conformity to RoHS Directive: This means that, in conformity with EU Directive 2002/95/EC, lead, cadmium, mercury, hexavalent chromium, and specific bromine-based flame retardants, PBB and PBDE, have not been used, except for exempted applications.
-

Disc Type Capacitors with Lead

Conformity to RoHS Directive

High Voltage Ceramic Capacitors Commercial Grade

CK45 Series

FEATURES

- High voltage ceramic capacitors series higher reliability has been achieved through the use of TDK original dielectric and copper for electrode material due to nice matching of the ceramic dielectrics material for copper for electrode.
- These products shall conform to RoHS Directive due to lead(Pb) free of lead wire and internal solder material.
- Compatible with halogen-free external resin coating.

OPERATING TEMPERATURE RANGE: -25 to +105°C

(The maximum operating temperature of 105°C includes capacitor self-generated heat of up to 20°C.)



PRODUCT IDENTIFICATION

| | | | | | | | | | |
|-----|-----|-----|-----|-----|-----|-----|-----|-----|------|
| CK | 45 | -B | 3AD | 102 | K | Y | N | N | A |
| (1) | (2) | (3) | (4) | (5) | (6) | (7) | (8) | (9) | (10) |

- (1) Type
- (2) Shape
- (3) Temperature characteristics
- (4) Rated voltage
- (5) Nominal capacitance
- (6) Capacitance tolerance
- (7) Class
- (8) Lead type
- (9) General use
- (10) Halogen-free compatible product

TEMPERATURE CHARACTERISTICS AND TOLERANCE

| Temperature characteristics | Test temperature range | Capacitance tolerance |
|-----------------------------|------------------------|-----------------------|
| B ($\pm 10\%$) | -25 to +85°C | K ($\pm 10\%$) |
| E (+20, -55%) | -25 to +85°C | Z (+80, -20%) |

CAPACITANCE AND DIMENSIONS

TEMPERATURE CHARACTERISTICS: B ($\pm 10\%$)

RATED VOLTAGE Edc: 1kV

| Part No. | Capacitance (pF) | Dimensions (mm) | | | | Taping dimensions |
|--------------------|------------------|-----------------|--------|---------------|----------------|-------------------|
| | | D max. | T max. | F | d | |
| CK45-B3AD101KY□*NA | 100 | 5.5 | 5.0 | 5.0 \pm 1.5 | 0.6 \pm 0.05 | V1 |
| CK45-B3AD151KY□*NA | 150 | 5.5 | 5.0 | 5.0 \pm 1.5 | 0.6 \pm 0.05 | V1 |
| CK45-B3AD221KY□*NA | 220 | 5.5 | 5.0 | 5.0 \pm 1.5 | 0.6 \pm 0.05 | V1 |
| CK45-B3AD331KY□*NA | 330 | 5.5 | 5.0 | 5.0 \pm 1.5 | 0.6 \pm 0.05 | V1 |
| CK45-B3AD471KY□*NA | 470 | 5.5 | 5.0 | 5.0 \pm 1.5 | 0.6 \pm 0.05 | V1 |
| CK45-B3AD681KY□*NA | 680 | 5.5 | 5.0 | 5.0 \pm 1.5 | 0.6 \pm 0.05 | V1 |
| CK45-B3AD102KY□*NA | 1,000 | 6.0 | 5.0 | 5.0 \pm 1.5 | 0.6 \pm 0.05 | V1 |
| CK45-B3AD152KY□*NA | 1,500 | 7.0 | 5.0 | 5.0 \pm 1.5 | 0.6 \pm 0.05 | V1 |
| CK45-B3AD222KY□*NA | 2,200 | 8.5 | 5.0 | 5.0 \pm 1.5 | 0.6 \pm 0.05 | V1 |
| CK45-B3AD332KY□*NA | 3,300 | 9.5 | 5.0 | 5.0 \pm 1.5 | 0.6 \pm 0.05 | V1 |
| CK45-B3AD472KY□*NA | 4,700 | 11.0 | 5.0 | 5.0 \pm 1.5 | 0.6 \pm 0.05 | V1 |

* □ : Lead shape symbol

RATED VOLTAGE Edc: 2kV

| Part No. | Capacitance (pF) | Dimensions (mm) | | | | Taping dimensions |
|--------------------|------------------|-----------------|--------|---------------|----------------|-------------------|
| | | D max. | T max. | F | d | |
| CK45-B3DD101KY□*NA | 100 | 5.5 | 5.0 | 5.0 \pm 1.5 | 0.6 \pm 0.05 | V1 |
| CK45-B3DD151KY□*NA | 150 | 5.5 | 5.0 | 5.0 \pm 1.5 | 0.6 \pm 0.05 | V1 |
| CK45-B3DD221KY□*NA | 220 | 5.5 | 5.0 | 5.0 \pm 1.5 | 0.6 \pm 0.05 | V1 |
| CK45-B3DD331KY□*NA | 330 | 5.5 | 5.0 | 5.0 \pm 1.5 | 0.6 \pm 0.05 | V1 |
| CK45-B3DD471KY□*NA | 470 | 5.5 | 5.0 | 5.0 \pm 1.5 | 0.6 \pm 0.05 | V1 |
| CK45-B3DD681KY□*NA | 680 | 6.5 | 5.0 | 5.0 \pm 1.5 | 0.6 \pm 0.05 | V1 |
| CK45-B3DD102KY□*NA | 1,000 | 7.5 | 5.0 | 5.0 \pm 1.5 | 0.6 \pm 0.05 | V1 |
| CK45-B3DD152KY□*NA | 1,500 | 8.5 | 5.0 | 5.0 \pm 1.5 | 0.6 \pm 0.05 | V1 |
| CK45-B3DD222KY□*NA | 2,200 | 10.0 | 5.0 | 5.0 \pm 1.5 | 0.6 \pm 0.05 | V1 |
| CK45-B3DD332KY□*NA | 3,300 | 11.5 | 5.0 | 7.5 \pm 1.5 | 0.6 \pm 0.05 | V2 |
| CK45-B3DD472KY□*NA | 4,700 | 14.0 | 5.0 | 7.5 \pm 1.5 | 0.6 \pm 0.05 | V2 |

* □ : Lead shape symbol

- Conformity to RoHS Directive: This means that, in conformity with EU Directive 2002/95/EC, lead, cadmium, mercury, hexavalent chromium, and specific bromine-based flame retardants, PBB and PBDE, have not been used, except for exempted applications.

- All specifications are subject to change without notice.

CAPACITANCE AND DIMENSIONS

TEMPERATURE CHARACTERISTICS: B ($\pm 10\%$)

RATED VOLTAGE E_{dc}: 3kV

| Part No. | Capacitance (pF) | Dimensions (mm) | | F | d | Taping dimensions |
|--------------------|---------------------|-----------------|--------|---------------|----------------|-------------------|
| | | D max. | T max. | | | |
| CK45-B3FD101KY□*NA | 100 | 5.5 | 6.0 | 7.5 \pm 1.5 | 0.6 \pm 0.05 | V2 |
| CK45-B3FD151KY□NA | 150 | 5.5 | 6.0 | 7.5 \pm 1.5 | 0.6 \pm 0.05 | V2 |
| CK45-B3FD221KY□NA | 220 | 5.5 | 6.0 | 7.5 \pm 1.5 | 0.6 \pm 0.05 | V2 |
| CK45-B3FD331KY□NA | 330 | 6.5 | 6.0 | 7.5 \pm 1.5 | 0.6 \pm 0.05 | V2 |
| CK45-B3FD471KY□NA | 470 | 7.0 | 6.0 | 7.5 \pm 1.5 | 0.6 \pm 0.05 | V2 |
| CK45-B3FD681KY□NA | 680 | 8.0 | 6.0 | 7.5 \pm 1.5 | 0.6 \pm 0.05 | V2 |
| CK45-B3FD102KY□NA | 1,000 | 9.0 | 6.0 | 7.5 \pm 1.5 | 0.6 \pm 0.05 | V2 |
| CK45-B3FD152KY□NA | 1,500 | 10.5 | 6.0 | 7.5 \pm 1.5 | 0.6 \pm 0.05 | V2 |
| CK45-B3FD222KY□NA | 2,200 | 12.5 | 6.0 | 7.5 \pm 1.5 | 0.6 \pm 0.05 | V2 |

* □ : Lead shape symbol

TEMPERATURE CHARACTERISTICS: E (+20, -55%)

RATED VOLTAGE E_{dc}: 1kV

| Part No. | Capacitance (pF) | Dimensions (mm) | | F | d | Taping dimensions |
|--------------------|---------------------|-----------------|--------|---------------|----------------|-------------------|
| | | D max. | T max. | | | |
| CK45-E3AD471ZY□*NA | 470 | 5.5 | 5.0 | 5.0 \pm 1.5 | 0.6 \pm 0.05 | V1 |
| CK45-E3AD102ZY□NA | 1,000 | 5.5 | 5.0 | 5.0 \pm 1.5 | 0.6 \pm 0.05 | V1 |
| CK45-E3AD222ZY□NA | 2,200 | 6.5 | 5.0 | 5.0 \pm 1.5 | 0.6 \pm 0.05 | V1 |
| CK45-E3AD472ZY□NA | 4,700 | 8.5 | 5.0 | 5.0 \pm 1.5 | 0.6 \pm 0.05 | V1 |
| CK45-E3AD103ZY□NA | 10,000 | 11.5 | 5.0 | 7.5 \pm 1.5 | 0.6 \pm 0.05 | V2 |

* □ : Lead shape symbol

RATED VOLTAGE E_{dc}: 2kV

| Part No. | Capacitance (pF) | Dimensions (mm) | | F | d | Taping dimensions |
|--------------------|---------------------|-----------------|--------|---------------|----------------|-------------------|
| | | D max. | T max. | | | |
| CK45-E3DD471ZY□*NA | 470 | 5.5 | 5.0 | 5.0 \pm 1.5 | 0.6 \pm 0.05 | V1 |
| CK45-E3DD102ZY□NA | 1,000 | 6.0 | 5.0 | 5.0 \pm 1.5 | 0.6 \pm 0.05 | V1 |
| CK45-E3DD222ZY□NA | 2,200 | 8.0 | 5.0 | 5.0 \pm 1.5 | 0.6 \pm 0.05 | V1 |
| CK45-E3DD472ZY□NA | 4,700 | 10.5 | 5.0 | 5.0 \pm 1.5 | 0.6 \pm 0.05 | V1 |
| CK45-E3DD103ZY□NA | 10,000 | 14.5 | 5.0 | 7.5 \pm 1.5 | 0.6 \pm 0.05 | V3 |

* □ : Lead shape symbol

RATED VOLTAGE E_{dc}: 3kV

| Part No. | Capacitance (pF) | Dimensions (mm) | | F | d | Taping dimensions |
|--------------------|---------------------|-----------------|--------|---------------|----------------|-------------------|
| | | D max. | T max. | | | |
| CK45-E3FD471ZY□*NA | 470 | 6.0 | 6.0 | 7.5 \pm 1.5 | 0.6 \pm 0.05 | V2 |
| CK45-E3FD102ZY□NA | 1,000 | 7.5 | 6.0 | 7.5 \pm 1.5 | 0.6 \pm 0.05 | V2 |
| CK45-E3FD222ZY□NA | 2,200 | 9.5 | 6.0 | 7.5 \pm 1.5 | 0.6 \pm 0.05 | V2 |
| CK45-E3FD472ZY□NA | 4,700 | 12.5 | 6.0 | 7.5 \pm 1.5 | 0.6 \pm 0.05 | V2 |

* □ : Lead shape symbol

LIST OF STANDARD LEAD SHAPES

The lead type is indicated by the letter which is the 15th character of the product name.

Example) TDK Product Name: **CK45-B3AD102KYNNNA**

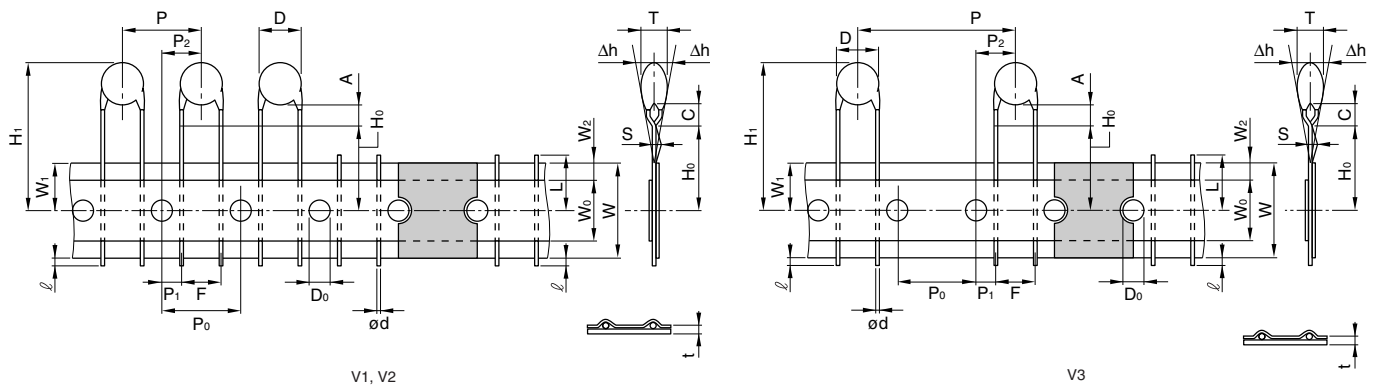
└─N: Lead type (Vertical kink, Short)

| | Long lead Symbol G | Short lead Symbol N | Taping Symbol V |
|---------------|-----------------------|------------------------|--------------------|
| Vertical kink | | | |

- We recommend using a vertical kink type.
- For bulk products, we recommend a short lead type with the symbol N.

TAPING DIMENSIONS

VERTICAL KINK LEAD TYPE



| Item | Symbol | Dimensions (mm) | | | Remarks |
|--------------------------------------|----------------|---|----------------|----------------|--|
| | | V1 | V2 | V3 | |
| Body diameter | D | Depends on the specification of each product. | | | |
| Body thickness | T | Depends on the specification of each product. | | | |
| Lead-wire diameter | ød | 0.6±0.05 | 0.6±0.05 | 0.6±0.05 | |
| Pitch of component | P | 12.7±1.0 | 15.0±1.0 | 30.0±1.0 | Including the slant of body |
| Feed hole pitch | P ₀ | 12.7±0.3 | 15.0±0.3 | 15.0±0.3 | Excepting the tape splicing part |
| Feed hole center to lead | P ₁ | 3.85±0.7 | 3.75±0.7 | 3.75±0.7 | |
| Feed hole center to component center | P ₂ | 6.35±1.3 | 7.5±1.3 | 7.5±1.3 | |
| Lead-to lead distance | F | 5+0.8, -0.2 | 7.5±0.8 | 7.5±0.8 | Measuring point is bottom kink |
| Component alignment | Δh | 0±2.0 | 0±2.0 | 0±2.0 | Including the slanting body due to bending lead-wire |
| Tape width | W | 18.0+1.0, -0.5 | 18.0+1.0, -0.5 | 18.0+1.0, -0.5 | |
| Adhesive tape width | W ₀ | 10.0min. | 10.0min. | 10.0min. | |
| Hole position | W ₁ | 9.0±0.5 | 9.0±0.5 | 9.0±0.5 | |
| Adhesive tape position | W ₂ | 4.0max. | 4.0max. | 4.0max. | Adhesive tape do not stick out the tape |
| Bottom of kink from tape center | H ₀ | 16.0+1.5, -0.5 | 16.0+1.5, -0.5 | 16.0+1.5, -0.5 | |
| Height of body from tape center | H ₁ | 46.0max. | 46.0max. | 46.0max. | |
| Lead-wire protrusion | ℓ | 1.0max. | 1.0max. | 1.0max. | |
| Feed hole diameter | D ₀ | 4.0±0.2 | 4.0±0.2 | 4.0±0.2 | |
| Total tape thickness | t | 0.6±0.3 | 0.6±0.3 | 0.6±0.3 | Including adhesive tape |
| Length of snapped lead | L | 11.0max. | 11.0max. | 11.0max. | |
| Coating on lead | C | 4.0max. | 4.0max. | 4.0max. | |
| Height of kink | A | 4.0max. | 4.0max. | 4.0max. | Measuring point is bottom kink |
| Spring action | S | 2.0max. | 2.0max. | 2.0max. | |

• For more information about products with other capacitance or other data, please contact us.

• All specifications are subject to change without notice.

Данный компонент на территории Российской Федерации

Вы можете приобрести в компании MosChip.

Для оперативного оформления запроса Вам необходимо перейти по данной ссылке:

<http://moschip.ru/get-element>

Вы можете разместить у нас заказ для любого Вашего проекта, будь то серийное производство или разработка единичного прибора.

В нашем ассортименте представлены ведущие мировые производители активных и пассивных электронных компонентов.

Нашей специализацией является поставка электронной компонентной базы двойного назначения, продукции таких производителей как XILINX, Intel (ex.ALTERA), Vicor, Microchip, Texas Instruments, Analog Devices, Mini-Circuits, Amphenol, Glenair.

Сотрудничество с глобальными дистрибьюторами электронных компонентов, предоставляет возможность заказывать и получать с международных складов практически любой перечень компонентов в оптимальные для Вас сроки.

На всех этапах разработки и производства наши партнеры могут получить квалифицированную поддержку опытных инженеров.

Система менеджмента качества компании отвечает требованиям в соответствии с ГОСТ Р ИСО 9001, ГОСТ РВ 0015-002 и ЭС РД 009

Офис по работе с юридическими лицами:

105318, г.Москва, ул.Щербаковская д.3, офис 1107, 1118, ДЦ «Щербаковский»

Телефон: +7 495 668-12-70 (многоканальный)

Факс: +7 495 668-12-70 (доб.304)

E-mail: info@moschip.ru

Skype отдела продаж:

moschip.ru

moschip.ru_4

moschip.ru_6

moschip.ru_9