

SERIES 95C

6mm Square, Washable



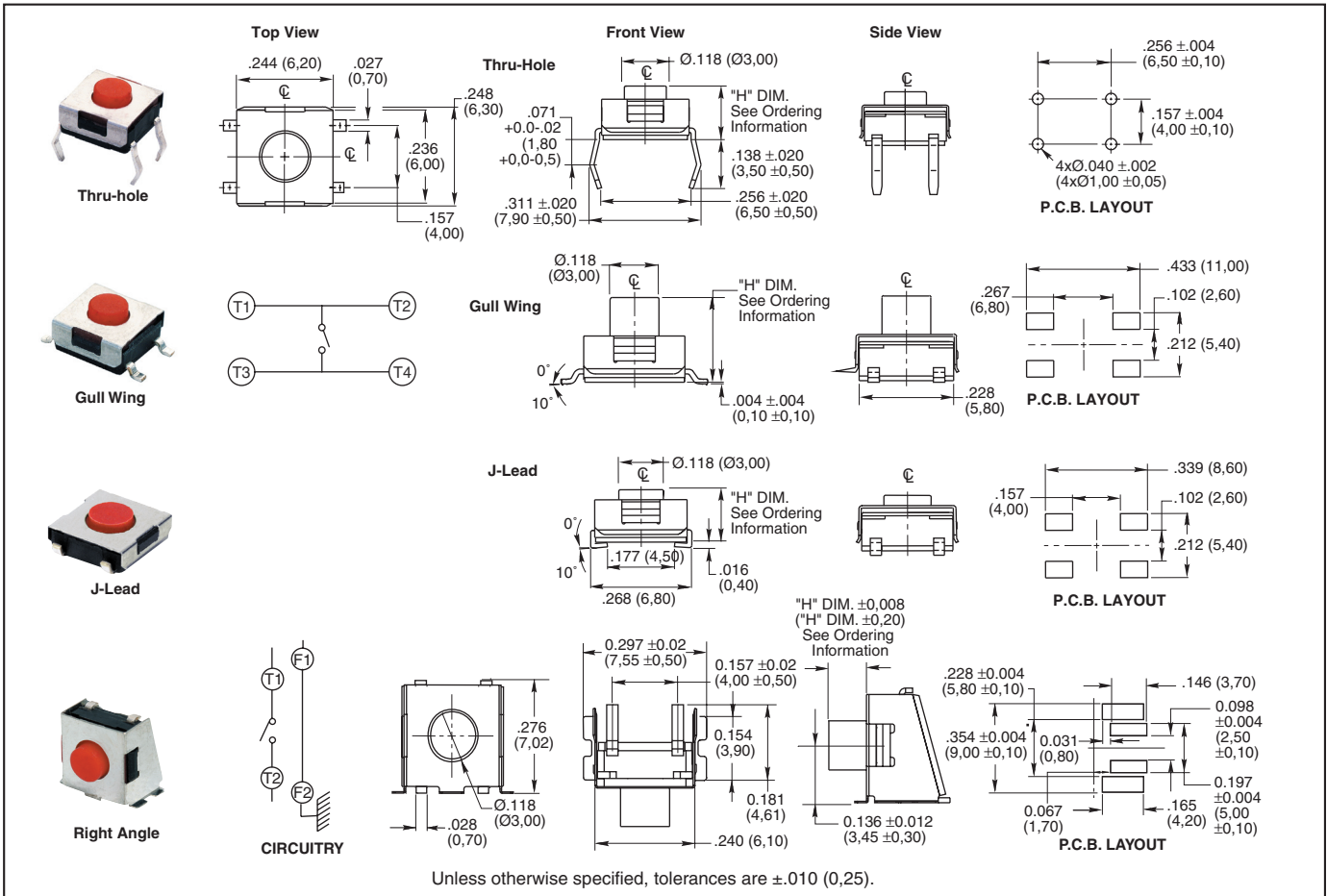
FEATURES

- Designed to Allow Submersed Washing After Soldering
- Excellent Tactile Feedback
- Thru-hole, Gull Wings, Right Angle, and J-Lead Versions
- Surface Mount Versions Compatible with SMT Assembly Including Infrared and Vapor Phase
- Ultraminiature and Lightweight Structure Suitable for High Density Mounting

Used in applications such as consumer electronics, audio equipment, PCs, VCRs, cable boxes, modems, communications equipment, controls, security and alarm equipment, and test and measurement equipment.

APPLICATIONS

DIMENSIONS: Washable Switches In inches (and millimeters)



SPECIFICATIONS:

Washable Switches

Materials

Base: UL94V-0 Nylon thermoplastic
Cover: Stainless steel, nickel silver
Actuator: Silicone rubber
Terminal: Brass with silver-plating
Contact: Stainless steel with silver-plating

Electrical

Rating: 50mA, 12 Vdc
Life: See table, page C-12
Actuator Travel: $.018" \pm .008"$
Contact Resistance: 100 mΩ max.

Insulation Resistance: 100 MΩ min. at 500Vdc

Dielectric Strength: No dielectric breakdown after 250V for one minute

Contact Arrangement: single pole, single throw

Environmental

Operating Temp. Range: -25 to 70°C

Storage Temp. Range: -30 to 80°C

Mechanical Shock: MIL-STD-202F, Method 213B, Test Condition A. Gravity: 50G's (peak value), 11 msec. Direction and times: 6 sides and 3 times in each direction. High reliability.

Vibration: MIL-STD-202F, Method 201A.

Passed 6 hours (2 hours in each) of three perpendicular planes at a cycle of 10-55-10Hz/minute. High reliability.

Soldering Process

Hand Soldering: Use a soldering iron of 30 watts, controlled at 350°C for 5 seconds maximum while applying solder.

Reflow Soldering (surface mount versions only): Peak temperature 260°C (500°F).

Wave Soldering: 260°C (500°F) maximum for 5 seconds subject to PCB .063 in. (1,60 mm) thickness.

ORDERING INFORMATION: Washable Switches

Thru-Hole

Part Number	Height ("H") in (mm)	Force (Grams)	Actuator Color	Electrical Life (Cycles)	Tube Packaging
95CW06A1T	.091 (2,3)	160	Silver	100,000	75PCS/Tube
95CW06B1T	.122 (3,1)	160	Brown	100,000	75PCS/Tube
95CW06C2T	.138 (3,5)	180	Brown	500,000	75PCS/Tube
95CW06C3T	.138 (3,5)	260	Red	500,000	75PCS/Tube
95CW06C5T	.138 (3,5)	360	Clear	500,000	75PCS/Tube
95CW06D2T	.150 (3,8)	180	Brown	500,000	75PCS/Tube
95CW06D3T	.150 (3,8)	260	Red	500,000	75PCS/Tube
95CW06D4T	.150 (3,8)	520	Yellow	50,000	75PCS/Tube
95CW06D5T	.150 (3,8)	360	Clear	500,000	75PCS/Tube
95CW06E2T	.205 (5,2)	180	Brown	500,000	77PCS/Tube
95CW06E3T	.205 (5,2)	260	Red	500,000	77PCS/Tube
95CW06E4T	.205 (5,2)	520	Yellow	50,000	77PCS/Tube
95CW06E5T	.205 (5,2)	360	Clear	500,000	77PCS/Tube

Gull Wing

Part Number	Height ("H") in (mm)	Force (Grams)	Actuator Color	Electrical Life (Cycles)	Tube Packaging	Tape & Reel* Packaging
95CW06A1GWT	.091 (2,29)	160	Silver	100,000	75PCS/Tube	2000PCS/Reel
95CW06B1GWT	.122 (3,10)	160	Brown	100,000	75PCS/Tube	2000PCS/Reel
95CW06C2GWT	.138 (3,51)	180	Brown	500,000	75PCS/Tube	1900PCS/Reel
95CW06C3GWT	.138 (3,51)	260	Red	500,000	75PCS/Tube	1900PCS/Reel
95CW06C5GWT	.138 (3,51)	360	Clear	500,000	75PCS/Tube	1900PCS/Reel
95CW06D2GWT	.150 (3,81)	180	Brown	500,000	75PCS/Tube	1900PCS/Reel
95CW06D3GWT	.150 (3,81)	260	Red	500,000	75PCS/Tube	1900PCS/Reel
95CW06D4GWT	.150 (3,81)	520	Yellow	50,000	75PCS/Tube	1900PCS/Reel
95CW06D5GWT	.150 (3,81)	360	Clear	500,000	75PCS/Tube	1900PCS/Reel
95CW06E2GWT	.205 (5,21)	180	Brown	500,000	75PCS/Tube	900PCS/Reel
95CW06E3GWT	.205 (5,21)	260	Red	500,000	75PCS/Tube	900PCS/Reel
95CW06E4GWT	.205 (5,21)	520	Yellow	50,000	75PCS/Tube	900PCS/Reel
95CW06E5GWT	.205 (5,21)	360	Clear	500,000	75PCS/Tube	900PCS/Reel

J-Lead

Part Number	Height ("H") in (mm)	Force (Grams)	Actuator Color	Electrical Life (Cycles)	Tube Packaging	Tape & Reel* Packaging
95CW06A1JT	.091 (2,29)	160	Silver	100,000	75PCS/Tube	2000PCS/Reel
95CW06B1JT	.122 (3,10)	160	Brown	100,000	75PCS/Tube	1900PCS/Reel
95CW06C2JT	.138 (3,51)	180	Brown	500,000	75PCS/Tube	1800PCS/Reel
95CW06C3JT	.138 (3,51)	260	Red	500,000	75PCS/Tube	1800PCS/Reel
95CW06C5JT	.138 (3,51)	360	Clear	500,000	75PCS/Tube	1800PCS/Reel
95CW06D2JT	.150 (3,81)	180	Brown	500,000	75PCS/Tube	1800PCS/Reel
95CW06D3JT	.150 (3,81)	260	Red	500,000	75PCS/Tube	1800PCS/Reel
95CW06D4JT	.150 (3,81)	520	Yellow	50,000	75PCS/Tube	1800PCS/Reel
95CW06D5JT	.150 (3,81)	360	Clear	500,000	75PCS/Tube	1800PCS/Reel
95CW06E2JT	.205 (5,21)	180	Brown	500,000	75PCS/Tube	900PCS/Reel
95CW06E3JT	.205 (5,21)	260	Red	500,000	75PCS/Tube	900PCS/Reel
95CW06E4JT	.205 (5,21)	520	Yellow	50,000	75PCS/Tube	900PCS/Reel
95CW06E5JT	.205 (5,21)	360	Clear	500,000	75PCS/Tube	900PCS/Reel

Right Angle

Part Number	Height in ("H") (mm)	Force (Grams)	Actuator Color	Electrical Life (Cycles)	Tape & Reel Packaging
95CW06A3RART	.031 (0,79)	260	Red	500,0000	700PCS/Reel
95CW06B3RART	.039 (0,99)	260	Red	500,0000	700PCS/Reel
95CW06C3RART	.091 (2,31)	260	Red	500,0000	700PCS/Reel

Available from your local Grayhill Component Distributor. *Insert "R" before "T" for tape and reel packaging. For prices and discounts, contact a local Sales Office, an authorized local distributor, or Grayhill.

Данный компонент на территории Российской Федерации

Вы можете приобрести в компании MosChip.

Для оперативного оформления запроса Вам необходимо перейти по данной ссылке:

<http://moschip.ru/get-element>

Вы можете разместить у нас заказ для любого Вашего проекта, будь то серийное производство или разработка единичного прибора.

В нашем ассортименте представлены ведущие мировые производители активных и пассивных электронных компонентов.

Нашей специализацией является поставка электронной компонентной базы двойного назначения, продукции таких производителей как XILINX, Intel (ex.ALTERA), Vicor, Microchip, Texas Instruments, Analog Devices, Mini-Circuits, Amphenol, Glenair.

Сотрудничество с глобальными дистрибьюторами электронных компонентов, предоставляет возможность заказывать и получать с международных складов практически любой перечень компонентов в оптимальные для Вас сроки.

На всех этапах разработки и производства наши партнеры могут получить квалифицированную поддержку опытных инженеров.

Система менеджмента качества компании отвечает требованиям в соответствии с ГОСТ Р ИСО 9001, ГОСТ РВ 0015-002 и ЭС РД 009

Офис по работе с юридическими лицами:

105318, г.Москва, ул.Щербаковская д.3, офис 1107, 1118, ДЦ «Щербаковский»

Телефон: +7 495 668-12-70 (многоканальный)

Факс: +7 495 668-12-70 (доб.304)

E-mail: info@moschip.ru

Skype отдела продаж:

moschip.ru

moschip.ru_4

moschip.ru_6

moschip.ru_9