



### FEATURES

- 100 ps propagation delay through the switch
- 2  $\Omega$  switches connect inputs to outputs
- Data rates up to 933 Mbps
- Single 3.3 V/5 V supply operation
- Level translation operation
- Ultralow quiescent supply current (1 nA typical)
- 3.5 ns switching
- Switches remain in the off state when power is off
- Standard 3257 type pinout

### APPLICATIONS

- Bus switching
- Bus isolation
- Level translation
- Memory switching/interleaving

### GENERAL DESCRIPTION

The ADG3257 is a CMOS bus switch comprised of four 2:1 multiplexers/demultiplexers with high impedance outputs. The device is manufactured on a CMOS process. This provides low power dissipation yet high switching speed and very low on resistance, allowing the inputs to be connected to the outputs without adding propagation delay or generating additional ground bounce noise.

The ADG3257 operates from a single 3.3 V/5 V supply. The control logic for each switch is shown in Table 1. These switches are bidirectional when on. In the off state, signal levels are blocked up to the supplies. When the power supply is off, the switches remain in the off state, isolating Port A and Port B.

This bus switch is suited to both switching and level translation applications. It can be used in applications requiring level translation from 3.3 V to 2.5 V when powered from 3.3 V. Additionally, with a diode connected in series with 5 V  $V_{DD}$ , the ADG3257 may also be used in applications requiring 5 V to 3.3 V level translation.

Table 1. Truth Table

BE	S	Function
H	X	Disable
L	L	A = B <sub>1</sub>
L	H	A = B <sub>2</sub>

### FUNCTIONAL BLOCK DIAGRAM

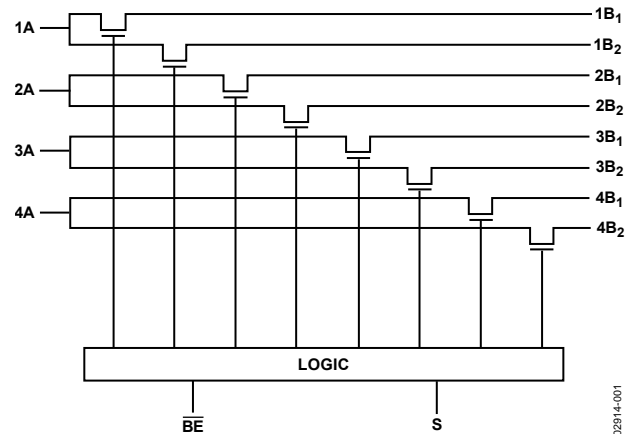


Figure 1.

### PRODUCT HIGHLIGHTS

- 0.1 ns propagation delay through switch.
- 2  $\Omega$  switches connect inputs to outputs.
- Bidirectional operation.
- Ultralow power dissipation.
- 16-lead QSOP package.

### Rev. E

Information furnished by Analog Devices is believed to be accurate and reliable. However, no responsibility is assumed by Analog Devices for its use, nor for any infringements of patents or other rights of third parties that may result from its use. Specifications subject to change without notice. No license is granted by implication or otherwise under any patent or patent rights of Analog Devices. Trademarks and registered trademarks are the property of their respective owners.

**TABLE OF CONTENTS**

Features .....	1	Pin Configuration and Function Descriptions.....	6
Applications.....	1	Typical Performance Characteristics .....	7
Functional Block Diagram .....	1	Test Circuits.....	9
General Description .....	1	Applications Information .....	10
Product Highlights .....	1	Mixed Voltage Operation, Level Translation.....	10
Revision History .....	2	Memory Switching .....	10
Specifications.....	3	Outline Dimensions .....	11
Absolute Maximum Ratings.....	5	Ordering Guide .....	11
ESD Caution.....	5		

**REVISION HISTORY****03/08—Rev. D to Rev. E**

Updated Format.....	Universal
Changes to Features.....	1
Changes to General Description .....	1
Changes to Absolute Maximum Ratings .....	5
Changes to Pin Configuration and Function Descriptions .....	6
Changes to Test Circuits .....	9
Changes to Ordering Guide .....	11

**11/04—Rev. C to Rev. D**

Changes to Specifications .....	2
Changes to Ordering Guide .....	4

**04/03—Rev. A to Rev. B**

Updated Outline Dimensions .....	8
----------------------------------	---

**06/02—Rev. 0 to Rev. A**

Edits to Features.....	1
------------------------	---

## SPECIFICATIONS

$V_{CC} = 5.0 \text{ V} \pm 10\%$ ,  $GND = 0 \text{ V}$ . All specifications  $T_{MIN}$  to  $T_{MAX}$ , unless otherwise noted.

Table 2.

Parameter <sup>1</sup>	Symbol	Conditions <sup>2</sup>	B Version			Unit
			Min	Typ <sup>3</sup>	Max	
DC ELECTRICAL CHARACTERISTICS						
Input High Voltage	$V_{INH}$		2.4			V
Input Low Voltage	$V_{INL}$		-0.3		+0.8	V
Input Leakage Current	$I_I$	$0 \leq V_{IN} \leq 5.5 \text{ V}$		$\pm 0.01$	$\pm 1$	$\mu\text{A}$
Off State Leakage Current	$I_{OZ}$	$0 \leq A, B \leq V_{CC}$		$\pm 0.01$	$\pm 1$	$\mu\text{A}$
On State Leakage Current	$I_{OZ}$	$0 \leq A, B \leq V_{CC}$		$\pm 0.01$	$\pm 1$	$\mu\text{A}$
Maximum Pass Voltage <sup>4</sup>	$V_P$	$V_{IN} = V_{CC} = 5 \text{ V}$ , $I_O = -5 \mu\text{A}$	3.9	4.2	4.4	V
CAPACITANCE <sup>4</sup>						
A Port Off Capacitance	$C_{A \text{ OFF}}$	$f = 1 \text{ MHz}$		7		pF
B Port Off Capacitance	$C_{B \text{ OFF}}$	$f = 1 \text{ MHz}$		5		pF
A, B Port On Capacitance	$C_{A, B \text{ ON}}$	$f = 1 \text{ MHz}$		11		pF
Control Input Capacitance	$C_{IN}$	$f = 1 \text{ MHz}$		4		pF
SWITCHING CHARACTERISTICS <sup>4</sup>						
Propagation Delay A to B or B to A, $t_{PD}$	$t_{PHL}, t_{PLH}$ <sup>5</sup>	$V_A = 0 \text{ V}$ , $C_L = 50 \text{ pF}$			0.10	ns
Propagation Delay Matching <sup>6</sup>		$V_A = 0 \text{ V}$ , $C_L = 50 \text{ pF}$		0.0075	0.035	ns
Bus Enable Time $\overline{BE}$ to A or B	$t_{PZH}, t_{PZL}$	$C_L = 50 \text{ pF}$ , $R_L = 500 \Omega$	1	5	7.5	ns
Bus Disable Time $\overline{BE}$ to A or B	$t_{PHZ}, t_{PLZ}$	$C_L = 50 \text{ pF}$ , $R_L = 500 \Omega$	1	3.5	7	ns
Bus Select Time S to A or B						
Enable	$t_{SEL\_EN}$	$C_L = 50 \text{ pF}$ , $R_L = 500 \Omega$		8	12	ns
Disable	$t_{SEL\_DIS}$	$C_L = 50 \text{ pF}$ , $R_L = 500 \Omega$		5	8	ns
Maximum Data Rate		$V_A = 2 \text{ V p-p}$		933		Mbps
DIGITAL SWITCH						
On Resistance	$R_{ON}$	$V_A = 0 \text{ V}$ $I_O = 48 \text{ mA}, 15 \text{ mA}, 8 \text{ mA}$ , $T_A = 25^\circ\text{C}$ $I_O = 48 \text{ mA}, 15 \text{ mA}, 8 \text{ mA}$ $V_A = 2.4 \text{ V}$ $I_O = 48 \text{ mA}, 15 \text{ mA}, 8 \text{ mA}$ , $T_A = 25^\circ\text{C}$ $I_O = 48 \text{ mA}, 15 \text{ mA}, 8 \text{ mA}$		2	4	$\Omega$
					5	$\Omega$
				3	6	$\Omega$
					7	$\Omega$
On-Resistance Matching	$\Delta R_{ON}$	$V_A = 0 \text{ V}$ , $I_O = 48 \text{ mA}, 15 \text{ mA}, 8 \text{ mA}$		0.15		$\Omega$
POWER REQUIREMENTS						
$V_{CC}$			3.0		5.5	V
Quiescent Power Supply Current	$I_{CC}$	Digital inputs = 0 V or $V_{CC}$		0.001	1	$\mu\text{A}$
Increase in $I_{CC}$ per Input <sup>4, 7</sup>	$\Delta I_{CC}$	$V_{CC} = 5.5 \text{ V}$ , one input at 3.0 V; others at $V_{CC}$ or GND			200	$\mu\text{A}$

<sup>1</sup> Temperature range is: Version B:  $-40^\circ\text{C}$  to  $+85^\circ\text{C}$ .

<sup>2</sup> See Test Circuits section.

<sup>3</sup> All typical values are at  $T_A = 25^\circ\text{C}$ , unless otherwise noted.

<sup>4</sup> Guaranteed by design, not subject to production test.

<sup>5</sup> The digital switch contributes no propagation delay other than the RC delay of the typical  $R_{ON}$  of the switch and the load capacitance when driven by an ideal voltage source. Because the time constant is much smaller than the rise/fall times of typical driving signals, it adds very little propagation delay to the system. Propagation delay of the digital switch, when used in a system, is determined by the driving circuit on the driving side of the switch and its interaction with the load on the driven side.

<sup>6</sup> Propagation delay matching between channels is calculated from on-resistance matching of worst-case channel combinations and load capacitance.

<sup>7</sup> This current applies to the control pins only and represents the current required to switch internal capacitance at the specified frequency. The A and B ports contribute no significant ac or dc currents as they transition.

# ADG3257

$V_{CC} = 3.3 \text{ V} \pm 10\%$ ,  $GND = 0 \text{ V}$ . All specifications  $T_{MIN}$  to  $T_{MAX}$ , unless otherwise noted.

**Table 3.**

Parameter <sup>1</sup>	Symbol	Conditions <sup>2</sup>	B Version			Unit
			Min	Typ <sup>3</sup>	Max	
<b>DC ELECTRICAL CHARACTERISTICS</b>						
Input High Voltage	$V_{INH}$		2.0			V
Input Low Voltage	$V_{INL}$		-0.3		+0.8	V
Input Leakage Current	$I_i$	$0 \leq V_{IN} \leq 3.6 \text{ V}$		$\pm 0.01$	$\pm 1$	$\mu\text{A}$
Off State Leakage Current	$I_{OZ}$	$0 \leq A, B \leq V_{CC}$		$\pm 0.01$	$\pm 1$	$\mu\text{A}$
On State Leakage Current	$I_{OZ}$	$0 \leq A, B \leq V_{CC}$		$\pm 0.01$	$\pm 1$	$\mu\text{A}$
Maximum Pass Voltage <sup>4</sup>	$V_P$	$V_{IN} = V_{CC} = 3.3 \text{ V}$ , $I_O = -5 \mu\text{A}$	2.3	2.6	2.8	V
<b>CAPACITANCE<sup>4</sup></b>						
A Port Off Capacitance	$C_A \text{ OFF}$	$f = 1 \text{ MHz}$		7		pF
B Port Off Capacitance	$C_B \text{ OFF}$	$f = 1 \text{ MHz}$		5		pF
A, B Port On Capacitance	$C_A, C_B \text{ ON}$	$f = 1 \text{ MHz}$		11		pF
Control Input Capacitance	$C_{IN}$	$f = 1 \text{ MHz}$		4		pF
<b>SWITCHING CHARACTERISTICS<sup>4</sup></b>						
Propagation Delay A to B or B to A, $t_{PD}$	$t_{PHL}, t_{PLH}$ <sup>5</sup>	$V_A = 0 \text{ V}$ , $C_L = 50 \text{ pF}$			0.10	ns
Propagation Delay Matching <sup>6</sup>		$V_A = 0 \text{ V}$ , $C_L = 50 \text{ pF}$		0.01	0.04	ns
Bus Enable Time $\overline{BE}$ to A or B	$t_{PZH}, t_{PZL}$	$C_L = 50 \text{ pF}$ , $R_L = 500 \Omega$	1	5.5	9	ns
Bus Disable Time $\overline{BE}$ to A or B	$t_{PHZ}, t_{PLZ}$	$C_L = 50 \text{ pF}$ , $R_L = 500 \Omega$	1	4.5	8.5	ns
Bus Select Time S to A or B						
Enable	$t_{SEL\_EN}$	$C_L = 50 \text{ pF}$ , $R_L = 500 \Omega$		8	12	ns
Disable	$t_{SEL\_DIS}$	$C_L = 50 \text{ pF}$ , $R_L = 500 \Omega$		6	9	ns
Maximum Data Rate		$V_A = 2 \text{ V p-p}$		933		Mbps
<b>DIGITAL SWITCH</b>						
On Resistance	$R_{ON}$	$V_A = 0 \text{ V}$ , $I_O = 15 \text{ mA}$ , $8 \text{ mA}$ , $T_A = 25^\circ\text{C}$	2		4	$\Omega$
		$V_A = 0 \text{ V}$ , $I_O = 15 \text{ mA}$ , $8 \text{ mA}$			5	$\Omega$
		$V_A = 1 \text{ V}$ , $I_O = 15 \text{ mA}$ , $8 \text{ mA}$ , $T_A = 25^\circ\text{C}$	4		7	$\Omega$
		$V_A = 1 \text{ V}$ , $I_O = 15 \text{ mA}$ , $8 \text{ mA}$			8	$\Omega$
On-Resistance Matching	$\Delta R_{ON}$	$V_A = 0 \text{ V}$ , $I_O = 15 \text{ mA}$ , $8 \text{ mA}$		0.2		$\Omega$
<b>POWER REQUIREMENTS</b>						
$V_{CC}$			3.0		5.5	V
Quiescent Power Supply Current	$I_{CC}$	Digital inputs = $0 \text{ V}$ or $V_{CC}$		0.001	1	$\mu\text{A}$
Increase in $I_{CC}$ per Input <sup>4,7</sup>	$\Delta I_{CC}$	$V_{CC} = 3.3 \text{ V}$ , one input at $3.0 \text{ V}$ ; others at $V_{CC}$ or $GND$			200	$\mu\text{A}$

<sup>1</sup> Temperature range is: Version B:  $-40^\circ\text{C}$  to  $+85^\circ\text{C}$ .

<sup>2</sup> See Test Circuits section.

<sup>3</sup> All typical values are at  $T_A = 25^\circ\text{C}$ , unless otherwise noted.

<sup>4</sup> Guaranteed by design, not subject to production test.

<sup>5</sup> The digital switch contributes no propagation delay other than the RC delay of the typical  $R_{ON}$  of the switch and the load capacitance when driven by an ideal voltage source. Because the time constant is much smaller than the rise/fall times of typical driving signals, it adds very little propagation delay to the system. Propagation delay of the digital switch, when used in a system, is determined by the driving circuit on the driving side of the switch and its interaction with the load on the driven side.

<sup>6</sup> Propagation delay matching between channels is calculated from on-resistance matching of worst-case channel combinations and load capacitance.

<sup>7</sup> This current applies to the control pins only and represents the current required to switch internal capacitance at the specified frequency. The A and B ports contribute no significant ac or dc currents as they transition.

## ABSOLUTE MAXIMUM RATINGS

$T_A = 25^\circ\text{C}$ , unless otherwise noted.

**Table 4.**

Parameter	Rating
$V_{CC}$ to GND	-0.3 V to +6 V
Digital Inputs to GND	-0.3 V to +6 V
DC Input Voltage	-0.3 V to +6 V
DC Output Current	100 mA
Operating Temperature Range	
Industrial (B Version)	-40°C to +85°C
Storage Temperature Range	-65°C to +150°C
Junction Temperature	150°C
QSOPT Package	
$\theta_{JA}$ Thermal Impedance	149.97°C/W
Lead Soldering	
Lead Temperature, Soldering (10 sec)	300°C
IR Reflow, Peak Temperature (<20 sec)	220°C
Soldering (Pb-Free)	
Reflow, Peak Temperature	260(+0/-5)°C
Time at Peak Temperature	20 sec to 40 sec

Stresses above those listed under Absolute Maximum Ratings may cause permanent damage to the device. This is a stress rating only; functional operation of the device at these or any other conditions above those indicated in the operational section of this specification is not implied. Exposure to absolute maximum rating conditions for extended periods may affect device reliability.

### ESD CAUTION



**ESD (electrostatic discharge) sensitive device.** Charged devices and circuit boards can discharge without detection. Although this product features patented or proprietary protection circuitry, damage may occur on devices subjected to high energy ESD. Therefore, proper ESD precautions should be taken to avoid performance degradation or loss of functionality.

# ADG3257

## PIN CONFIGURATION AND FUNCTION DESCRIPTIONS

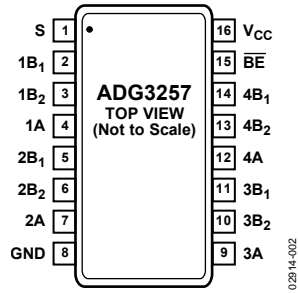


Figure 2. Pin Configuration

Table 5. Pin Function Descriptions

Pin No.	Mnemonic	Description
1	S	Port Select.
2, 3, 5, 6, 10, 11, 13, 14	1B <sub>1</sub> , 1B <sub>2</sub> , 2B <sub>1</sub> , 2B <sub>2</sub> , 3B <sub>2</sub> , 3B <sub>1</sub> , 4B <sub>2</sub> , 4B <sub>1</sub>	Port B, Inputs or Outputs.
4, 7, 9, 12	1A, 2A, 3A, 4A	Port A, Inputs or Outputs.
8	GND	Negative Power Supply.
15	$\overline{\text{BE}}$	Output Enable (Active Low).
16	V <sub>CC</sub>	Positive Power Supply.

# TYPICAL PERFORMANCE CHARACTERISTICS

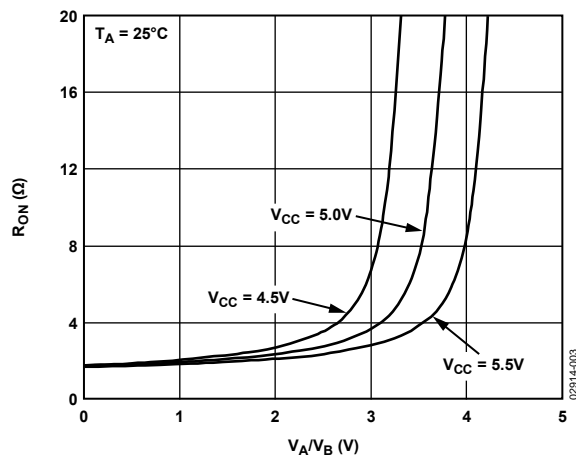


Figure 3. On Resistance vs. Input Voltage

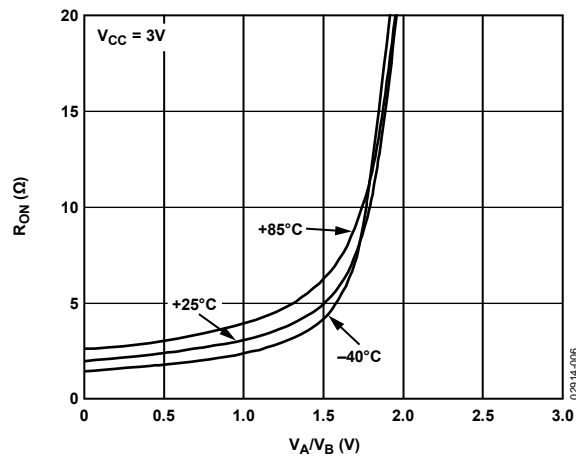


Figure 6. On Resistance vs. Input Voltage for Different Temperatures

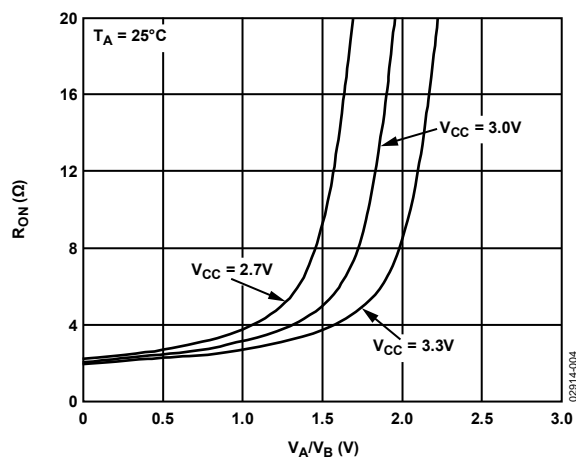


Figure 4. On Resistance vs. Input Voltage

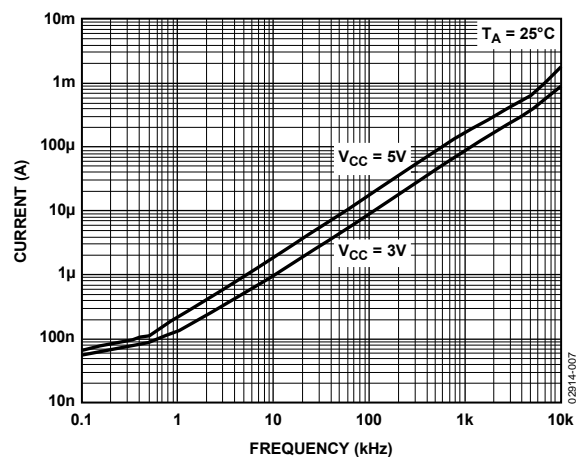


Figure 7.  $I_{CC}$  vs. Enable Frequency

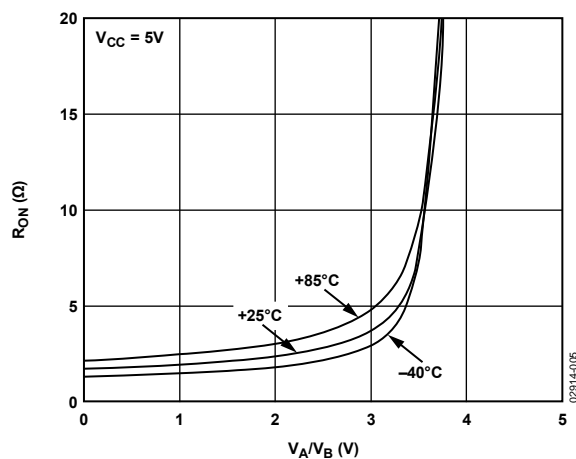


Figure 5. On Resistance vs. Input Voltage for Different Temperatures

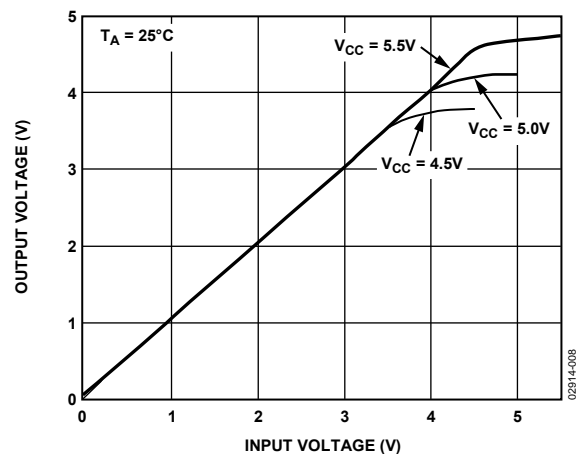


Figure 8. Maximum Pass Voltage

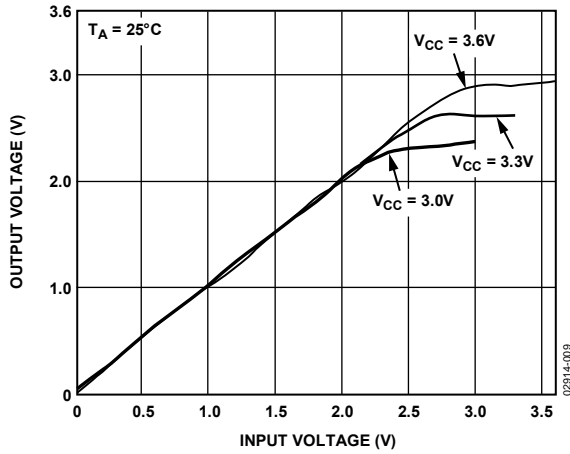


Figure 9. Maximum Pass Voltage

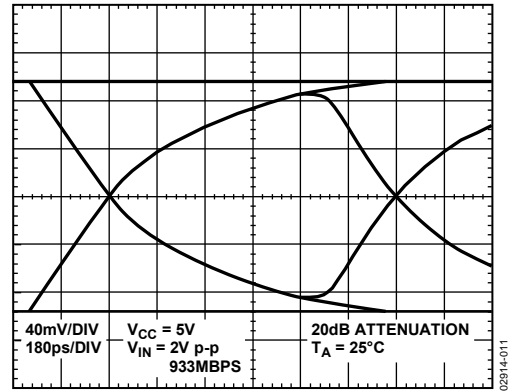


Figure 11. 933 Mbps Eye Diagram

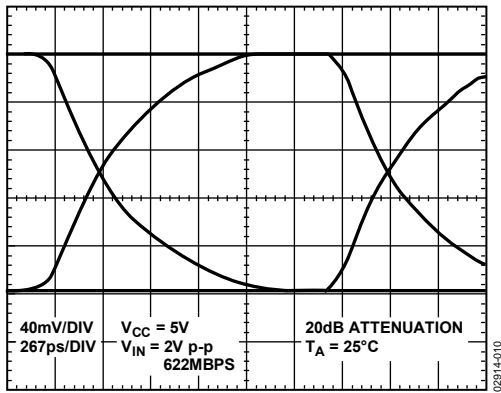
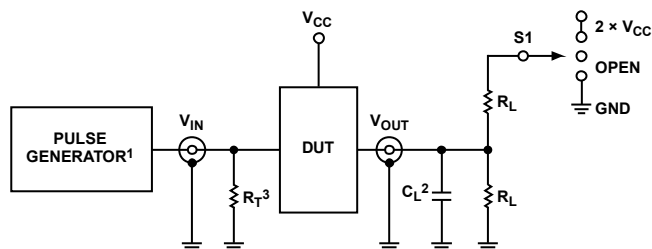


Figure 10. 622 Mbps Eye Diagram



## TEST CIRCUITS



- <sup>1</sup>PULSE GENERATOR FOR ALL PULSES:  $t_F < 2.5\text{ns}$ ,  $t_R < 2.5\text{ns}$ .
- <sup>2</sup> $C_L$  = INCLUDES BOARD, STRAY, AND LOAD CAPACITANCES.
- <sup>3</sup> $R_T$  IS THE TERMINATION RESISTOR; SHOULD BE EQUAL TO  $Z_{OUT}$  OF THE PULSE GENERATOR.

Figure 12. Load Circuit

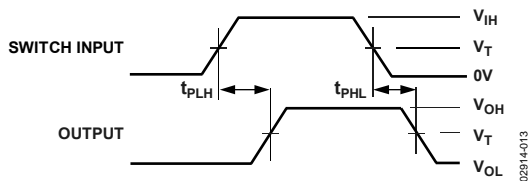


Figure 13. Propagation Delay

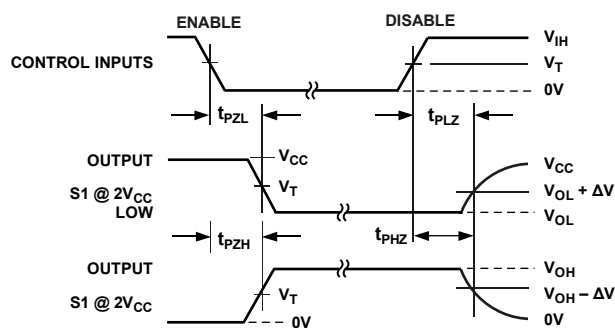


Figure 14. Select, Enable, and Disable Times

Table 6. Switch S1 Condition

Test	S1
$t_{PLH}$ , $t_{PHL}$	Open
$t_{PLZ}$ , $t_{PZL}$	$2 \times V_{CC}$
$t_{PHZ}$ , $t_{PZH}$	GND
$t_{SEL}$	Open

Table 7. Test Conditions

Symbol	$V_{CC} = 5\text{V} \pm 10\%$	$V_{CC} = 3.3\text{V} \pm 10\%$	Unit
$R_L$	500	500	$\Omega$
$\Delta V$	300	300	mV
$C_L$	50	50	pF

02914-012

02914-013

02914-014

## APPLICATIONS INFORMATION

### MIXED VOLTAGE OPERATION, LEVEL TRANSLATION

Bus switches can be used to provide a solution for mixed voltage systems where interfacing bidirectionally between 5 V and 3.3 V devices is required. To interface between 5 V and 3.3 V buses, an external diode is placed in series with the 5 V power supply as shown in Figure 15.

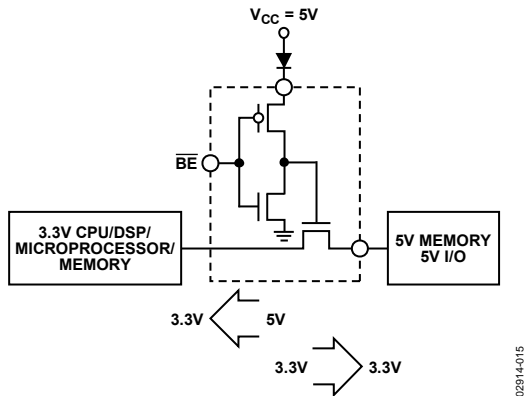


Figure 15. Level Translation Between 5 V and 3.3 V Devices

The diode drops the internal gate voltage down to 4.3 V. The bus switch limits the voltage present on the output to

$$V_{CC} - \text{External Diode Drop} = V_{TH}$$

Therefore, assuming a diode drop of 0.7 V and a  $V_{TH}$  of 1 V, the output voltage is limited to 3.3 V with a logic high.

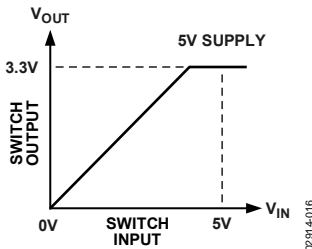


Figure 16. Input Voltage to Output Voltage

Similarly, the device could be used to translate bidirectionally between 3.3 V to 2.5 V systems. In this case, there is no need for an external diode. The internal  $V_{TH}$  drop is 1 V, so with a  $V_{CC} = 3.3$  V the bus switch limits the output voltage to

$$V_{CC} - 1 \text{ V} = 2.3 \text{ V}$$

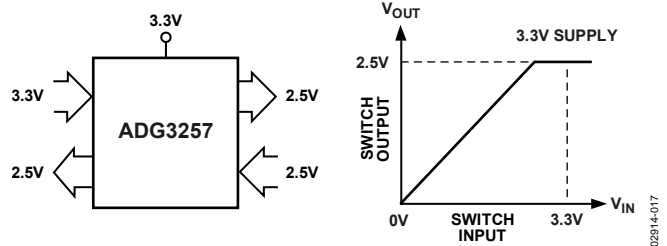


Figure 17. 3.3 V to 2.5 V Level Translation Using the ADG3257 Bus Switch

### MEMORY SWITCHING

This quad bus switch may be used to allow switching between different memory banks, thus allowing additional memory and decreasing capacitive loading. Figure 18 illustrates the ADG3257 in such an application.

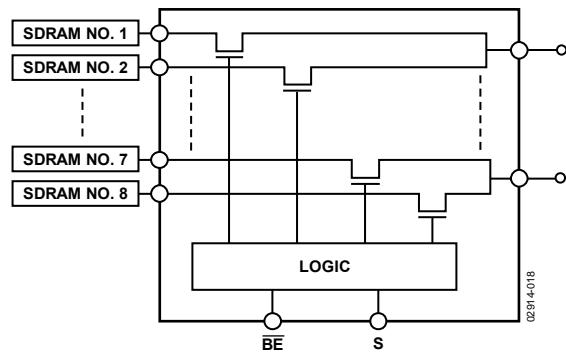
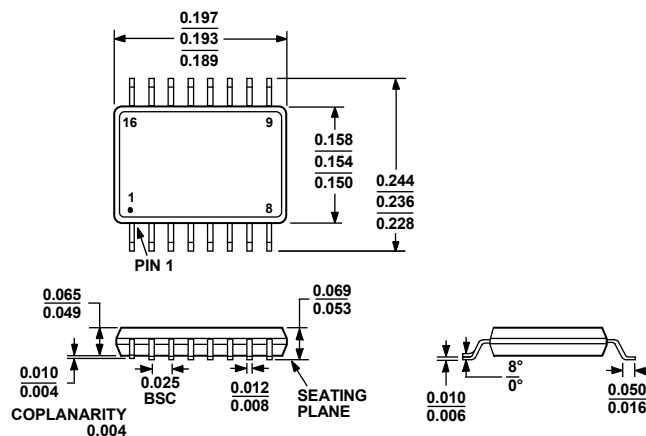


Figure 18. Allows Additional Memory Modules Without Added Drive or Delay

## OUTLINE DIMENSIONS



COMPLIANT TO JEDEC STANDARDS MO-137-AB

Figure 19. 16-Lead Shrink Small Outline Package [QSOP]  
(RQ-16)

Dimensions shown in inches

## ORDERING GUIDE

Model	Temperature Range	Package Description	Package Option
ADG3257BRQ	-40°C to +85°C	16-Lead Shrink Small Outline Package [QSOP]	RQ-16
ADG3257BRQ-REEL	-40°C to +85°C	16-Lead Shrink Small Outline Package [QSOP]	RQ-16
ADG3257BRQ-REEL7	-40°C to +85°C	16-Lead Shrink Small Outline Package [QSOP]	RQ-16
ADG3257BRQZ <sup>1</sup>	-40°C to +85°C	16-Lead Shrink Small Outline Package [QSOP]	RQ-16
ADG3257BRQZ-REEL <sup>1</sup>	-40°C to +85°C	16-Lead Shrink Small Outline Package [QSOP]	RQ-16
ADG3257BRQZ-REEL7 <sup>1</sup>	-40°C to +85°C	16-Lead Shrink Small Outline Package [QSOP]	RQ-16

<sup>1</sup> Z = RoHS Compliant Part.

**ADG3257**

**NOTES**

## Данный компонент на территории Российской Федерации

### Вы можете приобрести в компании MosChip.

Для оперативного оформления запроса Вам необходимо перейти по данной ссылке:

<http://moschip.ru/get-element>

Вы можете разместить у нас заказ для любого Вашего проекта, будь то серийное производство или разработка единичного прибора.

В нашем ассортименте представлены ведущие мировые производители активных и пассивных электронных компонентов.

Нашей специализацией является поставка электронной компонентной базы двойного назначения, продукции таких производителей как XILINX, Intel (ex.ALTERA), Vicor, Microchip, Texas Instruments, Analog Devices, Mini-Circuits, Amphenol, Glenair.

Сотрудничество с глобальными дистрибьюторами электронных компонентов, предоставляет возможность заказывать и получать с международных складов практически любой перечень компонентов в оптимальные для Вас сроки.

На всех этапах разработки и производства наши партнеры могут получить квалифицированную поддержку опытных инженеров.

Система менеджмента качества компании отвечает требованиям в соответствии с ГОСТ Р ИСО 9001, ГОСТ РВ 0015-002 и ЭС РД 009

### Офис по работе с юридическими лицами:

105318, г.Москва, ул.Щербаковская д.3, офис 1107, 1118, ДЦ «Щербаковский»

Телефон: +7 495 668-12-70 (многоканальный)

Факс: +7 495 668-12-70 (доб.304)

E-mail: [info@moschip.ru](mailto:info@moschip.ru)

Skype отдела продаж:

moschip.ru

moschip.ru\_4

moschip.ru\_6

moschip.ru\_9