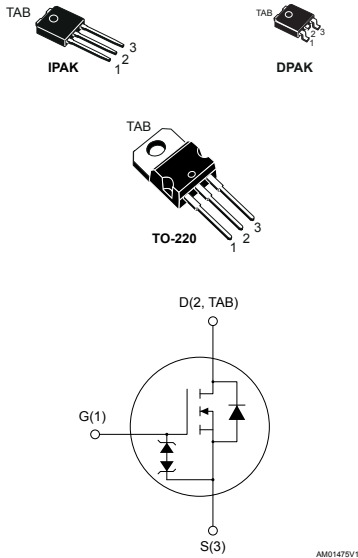


## N-channel 1000 V, 6.25 $\Omega$ typ., 1.85 A SuperMESH™ Power MOSFETs in DPAK, TO-220 and IPAK packages



### Features

Order code	$V_{DS}$	$R_{DS(on)}$ max.	$I_D$	Package
STD2NK100Z	1000 V	8.5 $\Omega$	1.85 A	DPAK
STP2NK100Z				TO-220
STU2NK100Z				IPAK

- Extremely high dv/dt capability
- 100% avalanche tested
- Gate charge minimized
- Very low intrinsic capacitance
- Zener-protected

### Applications

- Switching applications

### Description

These high-voltage devices are Zener-protected N-channel Power MOSFETs developed using the SuperMESH™ technology by STMicroelectronics, an optimization of the well-established PowerMESH™. In addition to a significant reduction in on-resistance, these devices are designed to ensure a high level of dv/dt capability for the most demanding applications.

#### Product status link

[STD2NK100Z](#)
[STP2NK100Z](#)
[STU2NK100Z](#)

# 1 Electrical ratings

**Table 1. Absolute maximum ratings**

Symbol	Parameter	Value	Unit
$V_{DS}$	Drain-source voltage	1000	V
$V_{GS}$	Gate-source voltage	$\pm 30$	V
$I_D$	Drain current (continuous) at $T_C = 25\text{ }^\circ\text{C}$	1.85	A
$I_D$	Drain current (continuous) at $T_C = 100\text{ }^\circ\text{C}$	1.16	A
$I_{DM}^{(1)}$	Drain current (pulsed)	7.4	A
$P_{TOT}$	Total dissipation at $T_C = 25\text{ }^\circ\text{C}$	70	W
ESD	Gate-source human body model (C = 100 pF, R = 1.5 k $\Omega$ )	3	kV
$dv/dt^{(2)}$	Peak diode recovery voltage slope	2.5	V/ns
$T_j$	Operating junction temperature range	-55 to 150	$^\circ\text{C}$
$T_{stg}$	Storage temperature range		

1. Pulse width limited by safe operating area.
2.  $I_{SD} \leq 1.85\text{ A}$ ,  $di/dt \leq 200\text{ A}/\mu\text{s}$ ,  $V_{DD} = 80\% V_{(BR)DSS}$ .

**Table 2. Thermal data**

Symbol	Parameter	Value			Unit
		DPAK	TO-220	IPAK	
$R_{thj-case}$	Thermal resistance junction-case	1.79			$^\circ\text{C}/\text{W}$
$R_{thj-pcb}^{(1)}$	Thermal resistance junction-pcb	50	-	-	
$R_{thj-amb}$	Thermal resistance junction-ambient		62.5	100	

1. When mounted on FR-4 board of 1 inch<sup>2</sup>, 2 oz Cu.

**Table 3. Avalanche characteristics**

Symbol	Parameter	Value	Unit
$I_{AR}^{(1)}$	Avalanche current, repetitive or not-repetitive	1.85	A
$E_{AS}^{(2)}$	Single pulse avalanche energy	170	mJ

1. Pulse width limited by  $T_{jmax}$ .
2. Starting  $T_j = 25\text{ }^\circ\text{C}$ ,  $I_D = I_{AR}$ ,  $V_{DD} = 50\text{ V}$

## 2 Electrical characteristics

( $T_{CASE} = 25\text{ °C}$  unless otherwise specified)

**Table 4. On/off states**

Symbol	Parameter	Test conditions	Min.	Typ.	Max.	Unit
$V_{(BR)DSS}$	Drain-source breakdown voltage	$V_{GS} = 0\text{ V}$ , $I_D = 1\text{ mA}$	1000			V
$I_{DSS}$	Zero gate voltage drain current	$V_{GS} = 0\text{ V}$ , $V_{DS} = 1000\text{ V}$			1	$\mu\text{A}$
		$V_{GS} = 0\text{ V}$ , $V_{DS} = 1000\text{ V}$ , $T_C = 125\text{ °C}$ <sup>(1)</sup>			50	$\mu\text{A}$
$I_{GSS}$	Gate-body leakage current	$V_{DS} = 0\text{ V}$ , $V_{GS} = \pm 30\text{ V}$			$\pm 10$	$\mu\text{A}$
$V_{GS(th)}$	Gate threshold voltage	$V_{DS} = V_{GS}$ , $I_D = 50\text{ }\mu\text{A}$	3	3.75	4.5	V
$R_{DS(on)}$	Static drain-source on resistance	$V_{GS} = 10\text{ V}$ , $I_D = 0.9\text{ A}$		6.25	8.5	$\Omega$

1. Defined by design, not subject to production test.

**Table 5. Dynamic**

Symbol	Parameter	Test conditions	Min.	Typ.	Max.	Unit
$C_{iss}$	Input capacitance	$V_{DS} = 25\text{ V}$ , $f = 1\text{ MHz}$ , $V_{GS} = 0\text{ V}$	-	499	-	$\mu\text{F}$
$C_{oss}$	Output capacitance			53		
$C_{rss}$	Reverse transfer capacitance			9		
$C_{oss\text{ eq.}}^{(1)}$	Equivalent output capacitance	$V_{GS} = 0\text{ V}$ , $V_{DS} = 0\text{ V to } 800\text{ V}$	-	28	-	$\mu\text{F}$
$R_G$	Gate input resistance	$f = 1\text{ MHz}$ , open drain	-	6.6	-	$\Omega$
$Q_g$	Total gate charge	$V_{DD} = 800\text{ V}$ , $I_D = 1.85\text{ A}$ , $V_{GS} = 0\text{ to } 10\text{ V}$ (see Figure 16. Test circuit for gate charge behavior)	-	16	-	nC
$Q_{gs}$	Gate-source charge			3		
$Q_{gd}$	Gate-drain charge			9		

1.  $C_{oss\text{ eq.}}$  is defined as a constant equivalent capacitance giving the same charging time as  $C_{oss}$  when  $V_{DS}$  increases from 0 to 80%  $V_{DSS}$ .

**Table 6. Switching times**

Symbol	Parameter	Test conditions	Min.	Typ.	Max.	Unit
$t_{d(on)}$	Turn-on delay time	$V_{DD} = 500\text{ V}$ , $I_D = 0.9\text{ A}$ , $R_G = 4.7\text{ }\Omega$ , $V_{GS} = 10\text{ V}$ (see Figure 15. Test circuit for resistive load switching times and Figure 20. Switching time waveform)	-	7.2	-	ns
$t_r$	Rise time			6.5		
$t_{d(off)}$	Turn-off delay time			41.5		
$t_f$	Fall time			32.5		

**Table 7. Source-drain diode**

Symbol	Parameter	Test conditions	Min.	Typ.	Max.	Unit
$I_{SD}$	Source-drain current		-		1.85	A
$I_{SDM}^{(1)}$	Source-drain current (pulsed)		-		7.4	
$V_{SD}^{(2)}$	Forward on voltage	$I_{SD} = 1.85 \text{ A}$ , $V_{GS} = 0 \text{ V}$	-		1.6	V
$t_{rr}$	Reverse recovery time	$I_{SD} = 1.85 \text{ A}$ , $di/dt = 100 \text{ A}/\mu\text{s}$	-	476		ns
$Q_{rr}$	Reverse recovery charge	$V_{DD} = 60 \text{ V}$	-	1.6		$\mu\text{C}$
$I_{RRM}$	Reverse recovery current	(see Figure 17. Test circuit for inductive load switching and diode recovery times)	-	6.9		A
$t_{rr}$	Reverse recovery time	$I_{SD} = 1.85 \text{ A}$ , $di/dt = 100 \text{ A}/\mu\text{s}$	-	532		ns
$Q_{rr}$	Reverse recovery charge	$V_{DD} = 60 \text{ V}$ , $T_j = 150 \text{ }^\circ\text{C}$	-	1.9		$\mu\text{C}$
$I_{RRM}$	Reverse recovery current	(see Figure 17. Test circuit for inductive load switching and diode recovery times)	-	88		A

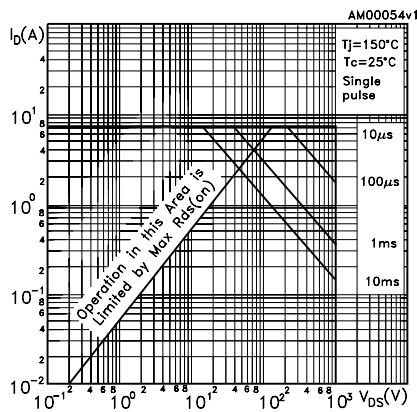
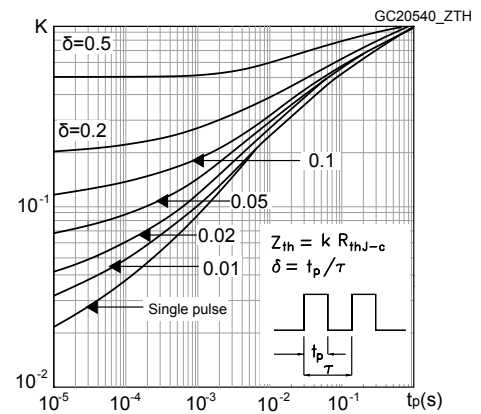
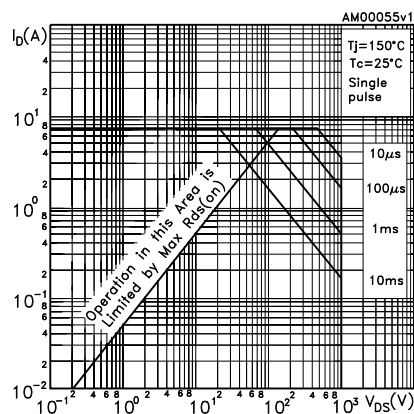
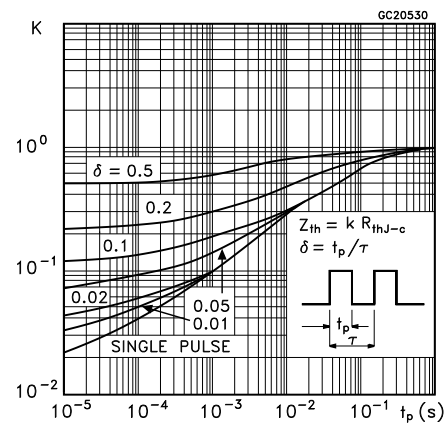
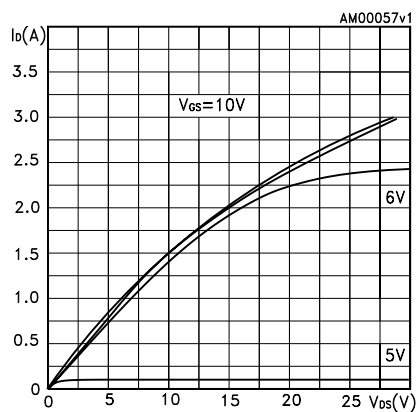
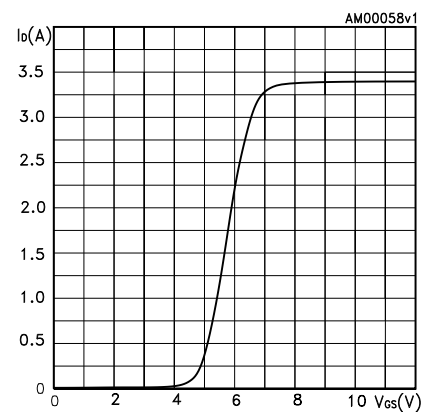
1. Pulse width is limited by safe operating area.
2. Pulsed: pulse duration = 300  $\mu\text{s}$ , duty cycle 1.5%.

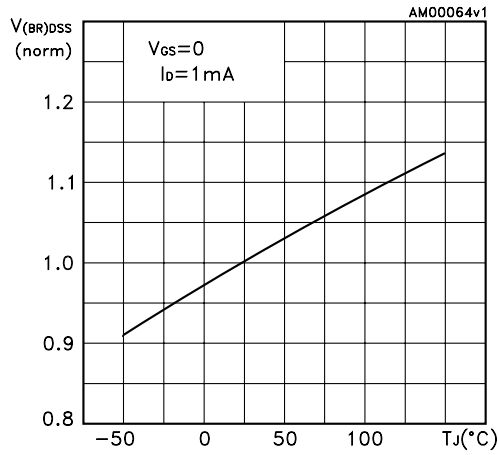
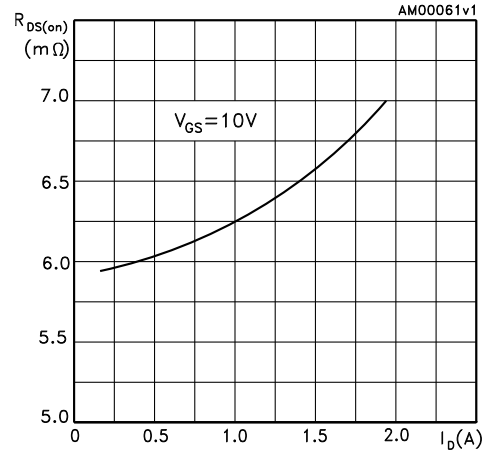
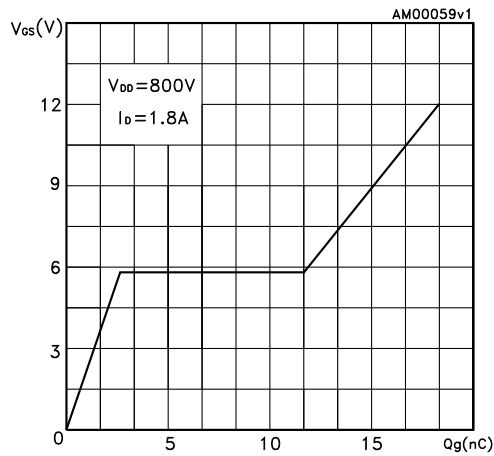
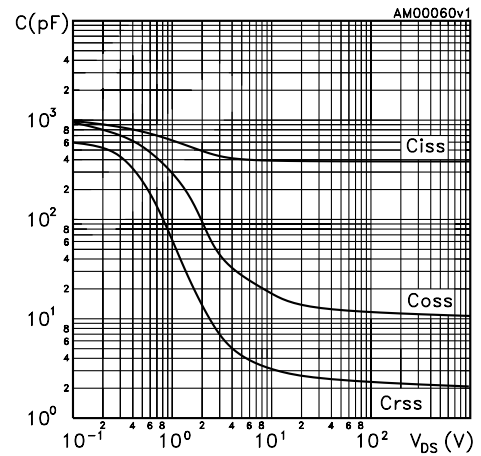
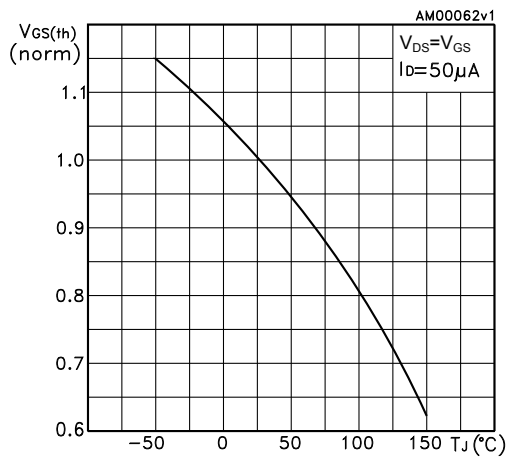
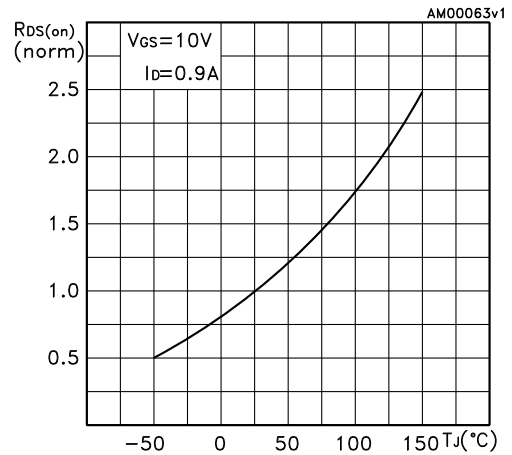
**Table 8. Gate-source Zener diode**

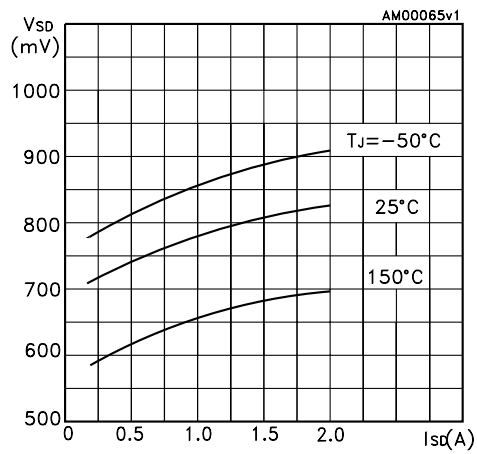
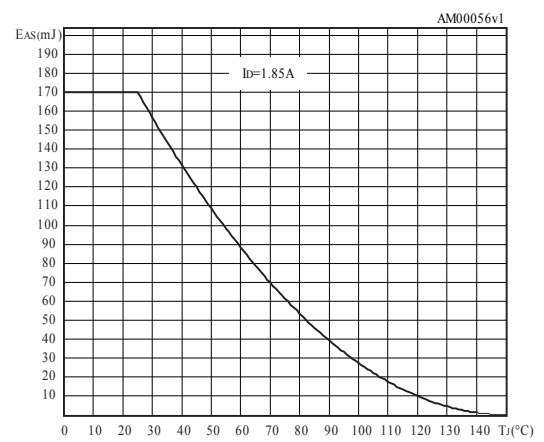
Symbol	Parameter	Test conditions	Min.	Typ.	Max.	Unit
$V_{(BR)GSO}$	Gate-source breakdown voltage	$I_{GS} = \pm 1 \text{ mA}$ , $I_D = 0 \text{ A}$	30	-	-	V

The built-in back-to-back Zener diodes are specifically designed to enhance the ESD performance of the device. The Zener voltage facilitates efficient and cost-effective device integrity protection, thus eliminating the need for additional external componentry.

## 2.1 Electrical characteristics (curves)

**Figure 1. Safe operating area for IPAK, DPAK**

**Figure 2. Thermal impedance for IPAK, DPAK**

**Figure 3. Safe operating area for TO-220**

**Figure 4. Thermal impedance for TO-220**

**Figure 5. Output characteristics**

**Figure 6. Transfer characteristics**


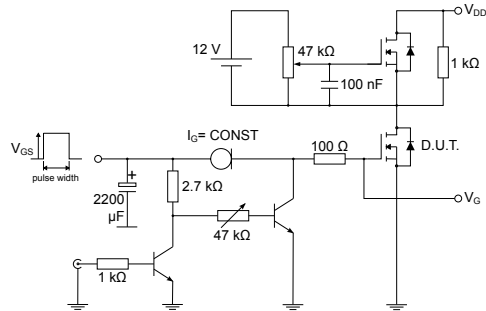
**Figure 7. Normalized  $V_{(BR)DSS}$  vs temperature**

**Figure 8. Static drain-source on resistance**

**Figure 9. Gate charge vs gate-source voltage**

**Figure 10. Capacitance variations**

**Figure 11. Normalized gate threshold voltage vs temperature**

**Figure 12. Normalized on resistance vs temperature**


**Figure 13. Source-drain diode forward characteristics**

**Figure 14. Maximum avalanche energy vs temperature**


### 3 Test circuits

**Figure 15. Test circuit for resistive load switching times**


AM01468v1

**Figure 16. Test circuit for gate charge behavior**


AM01469v1

**Figure 17. Test circuit for inductive load switching and diode recovery times**


AM01470v1

**Figure 18. Unclamped inductive load test circuit**


AM01471v1

**Figure 19. Unclamped inductive waveform**


AM01472v1

**Figure 20. Switching time waveform**


AM01473v1



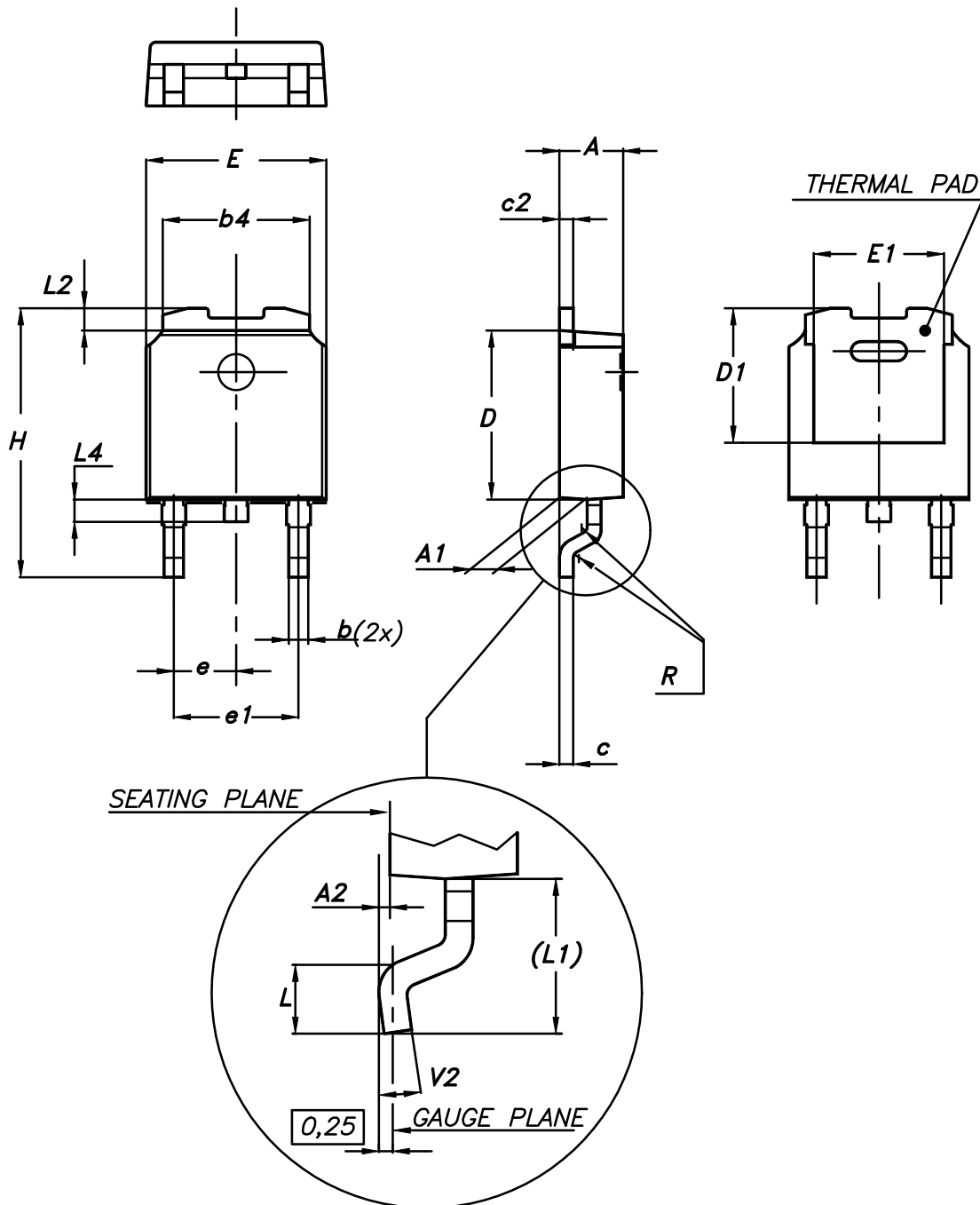
## 4 Package information

---

In order to meet environmental requirements, ST offers these devices in different grades of ECOPACK® packages, depending on their level of environmental compliance. ECOPACK® specifications, grade definitions and product status are available at: [www.st.com](http://www.st.com). ECOPACK® is an ST trademark.

**4.1 DPAK (TO-252) type A package information**

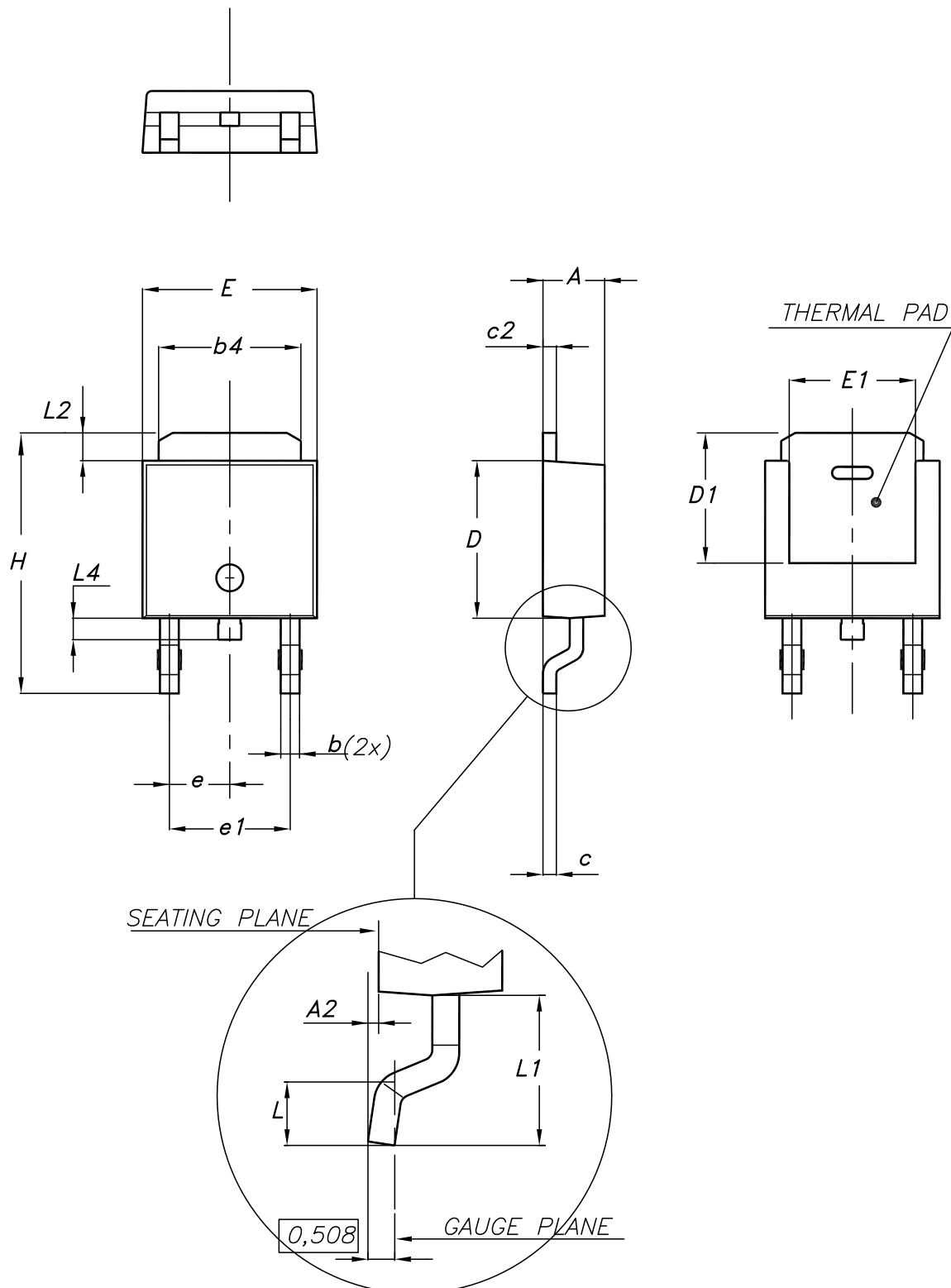
Figure 21. DPAK (TO-252) type A package outline



0068772\_A\_25

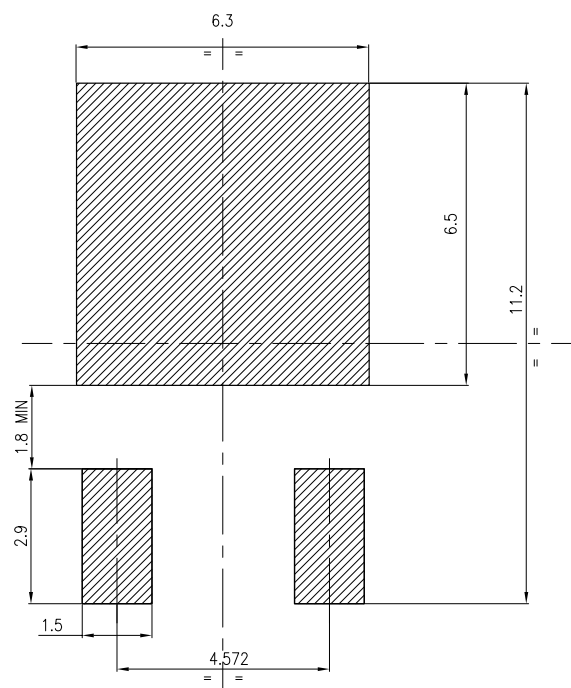
**Table 9. DPAK (TO-252) type A mechanical data**

Dim.	mm		
	Min.	Typ.	Max.
A	2.20		2.40
A1	0.90		1.10
A2	0.03		0.23
b	0.64		0.90
b4	5.20		5.40
c	0.45		0.60
c2	0.48		0.60
D	6.00		6.20
D1	4.95	5.10	5.25
E	6.40		6.60
E1	4.60	4.70	4.80
e	2.159	2.286	2.413
e1	4.445	4.572	4.699
H	9.35		10.10
L	1.00		1.50
(L1)	2.60	2.80	3.00
L2	0.65	0.80	0.95
L4	0.60		1.00
R		0.20	
V2	0°		8°

**4.2 DPAK (TO-252) type E package information**
**Figure 22. DPAK (TO-252) type E package outline**


**Table 10. DPAK (TO-252) type E mechanical data**

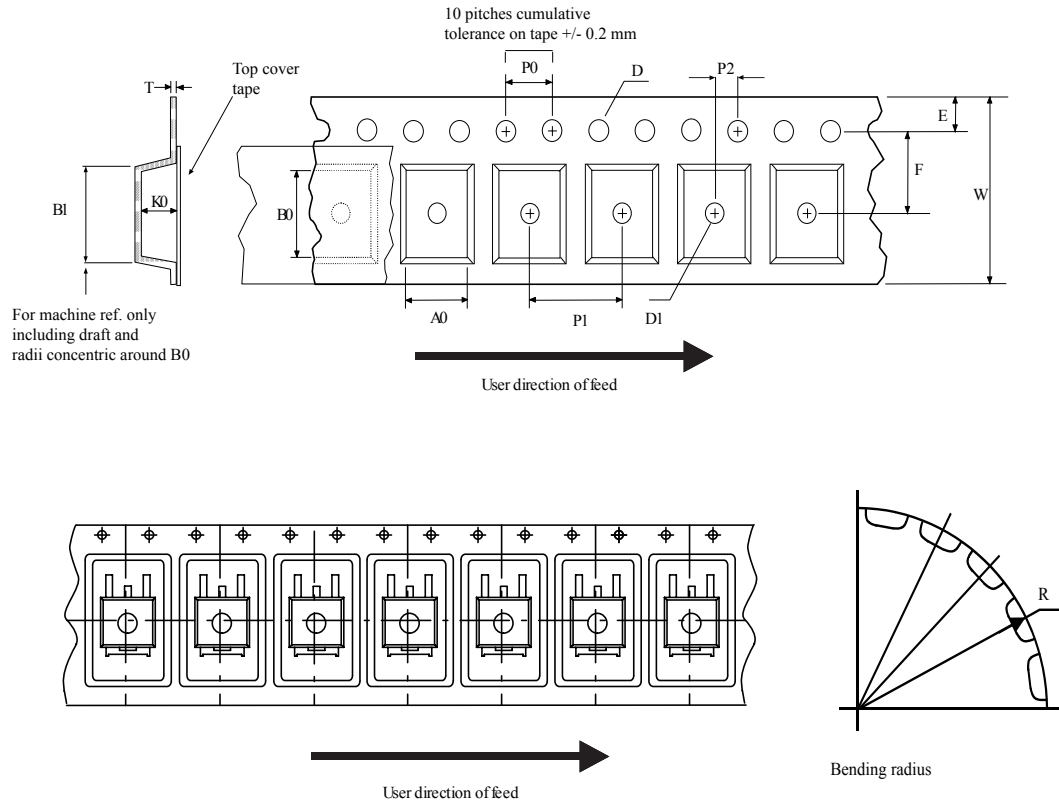
Dim.	mm		
	Min.	Typ.	Max.
A	2.18		2.39
A2			0.13
b	0.65		0.884
b4	4.95		5.46
c	0.46		0.61
c2	0.46		0.60
D	5.97		6.22
D1	5.21		
E	6.35		6.73
E1	4.32		
e		2.286	
e1		4.572	
H	9.94		10.34
L	1.50		1.78
L1		2.74	
L2	0.89		1.27
L4			1.02

**Figure 23. DPAK (TO-252) recommended footprint (dimensions are in mm)**


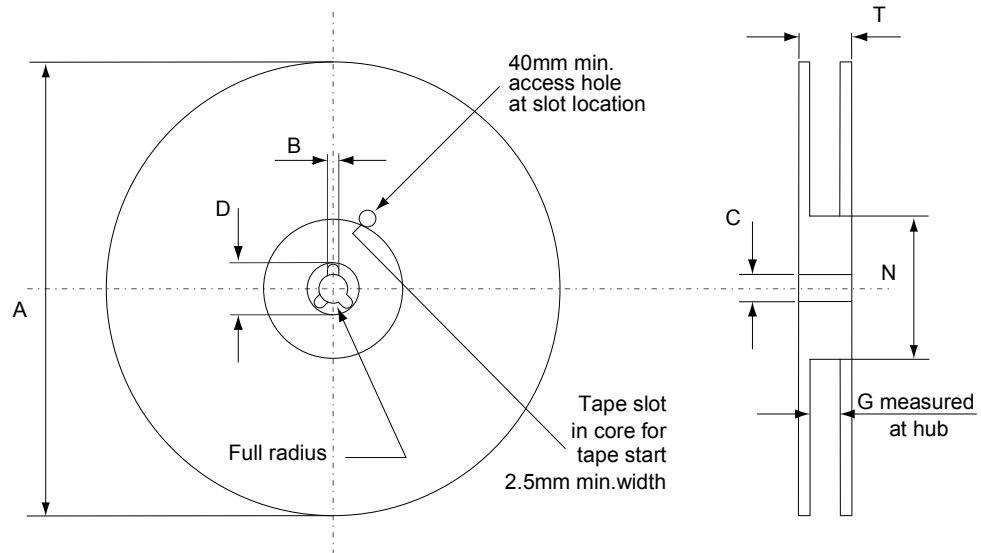
FP\_0068772\_25

### 4.3 DPAK (TO-252) packing information

Figure 24. DPAK (TO-252) tape outline



AM08852v1

**Figure 25. DPAK (TO-252) reel outline**


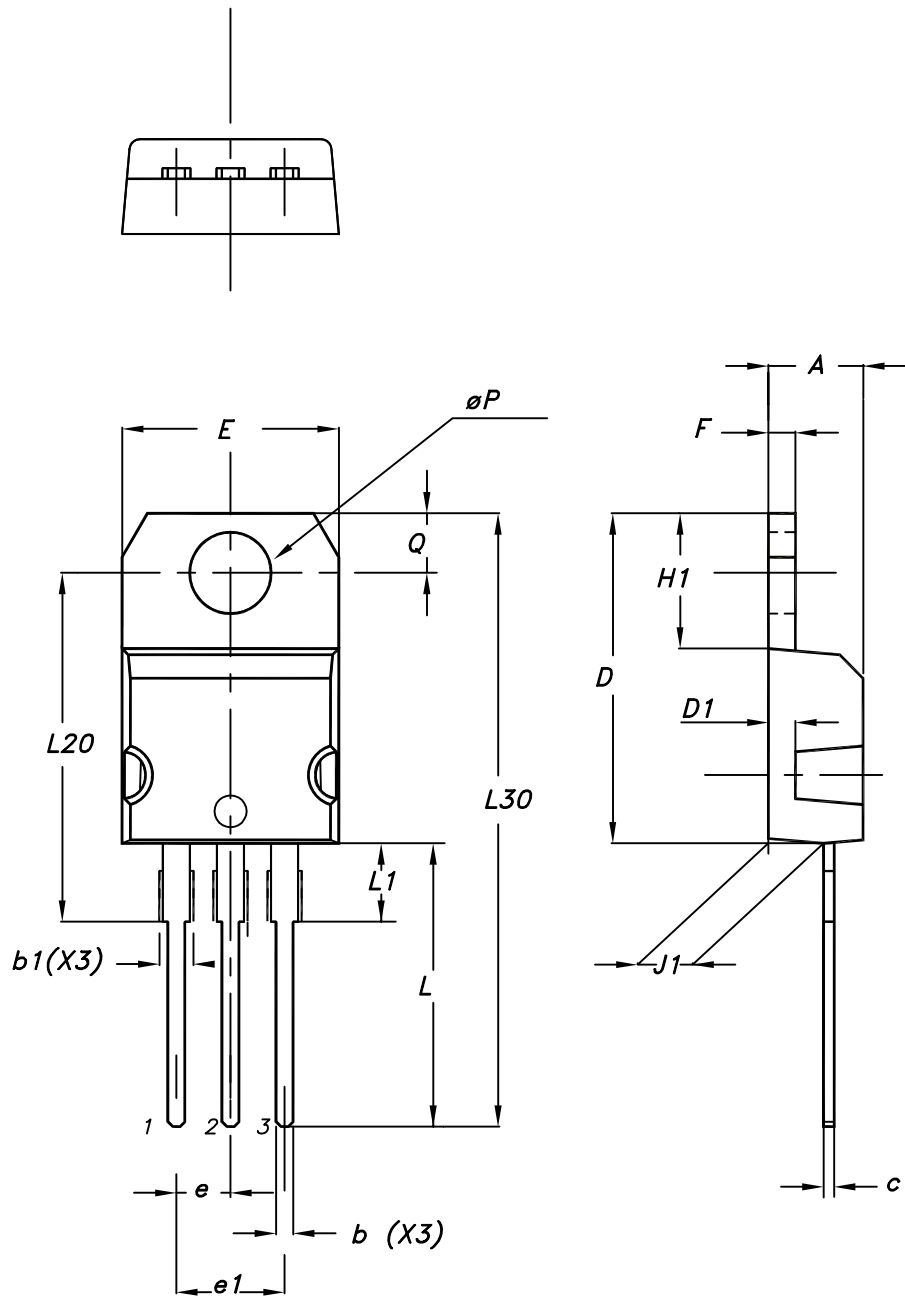
AM06038v1

**Table 11. DPAK (TO-252) tape and reel mechanical data**

Tape			Reel		
Dim.	mm		Dim.	mm	
	Min.	Max.		Min.	Max.
A0	6.8	7	A		330
B0	10.4	10.6	B	1.5	
B1		12.1	C	12.8	13.2
D	1.5	1.6	D	20.2	
D1	1.5		G	16.4	18.4
E	1.65	1.85	N	50	
F	7.4	7.6	T		22.4
K0	2.55	2.75			
P0	3.9	4.1	Base qty.		2500
P1	7.9	8.1	Bulk qty.		2500
P2	1.9	2.1			
R	40				
T	0.25	0.35			
W	15.7	16.3			

#### 4.4 TO-220 type A package information

Figure 26. TO-220 type A package outline



0015988\_typeA\_Rev\_21

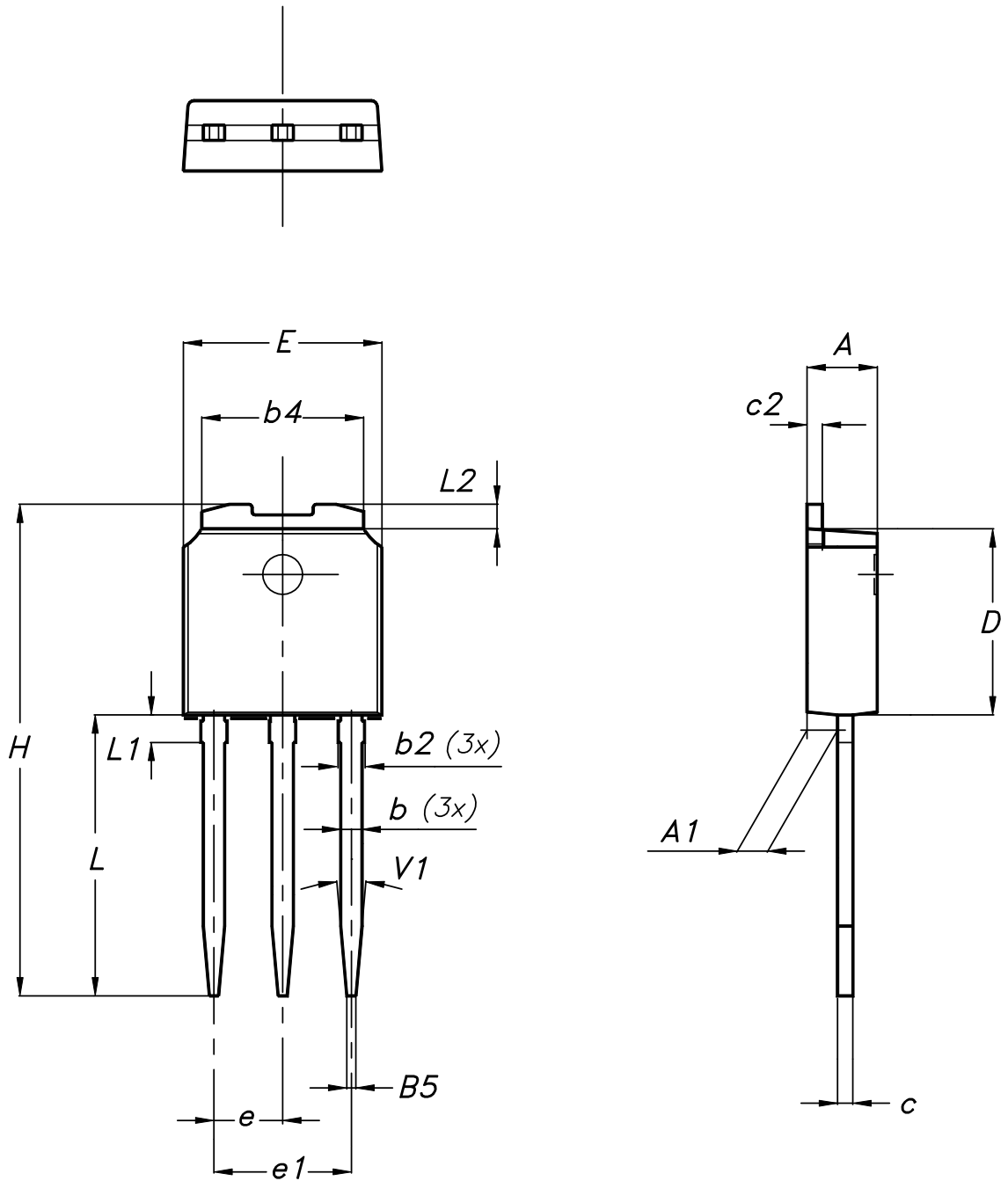


**Table 12. TO-220 type A package mechanical data**

Dim.	mm		
	Min.	Typ.	Max.
A	4.40		4.60
b	0.61		0.88
b1	1.14		1.55
c	0.48		0.70
D	15.25		15.75
D1		1.27	
E	10.00		10.40
e	2.40		2.70
e1	4.95		5.15
F	1.23		1.32
H1	6.20		6.60
J1	2.40		2.72
L	13.00		14.00
L1	3.50		3.93
L20		16.40	
L30		28.90	
øP	3.75		3.85
Q	2.65		2.95

#### 4.5 IPAk (TO-251) type A package information

Figure 27. IPAk (TO-251) type A package outline



0068771\_IK\_typeA\_rev14

**Table 13. IPAK (TO-251) type A package mechanical data**

Dim.	mm		
	Min.	Typ.	Max.
A	2.20		2.40
A1	0.90		1.10
b	0.64		0.90
b2			0.95
b4	5.20		5.40
B5		0.30	
c	0.45		0.60
c2	0.48		0.60
D	6.00		6.20
E	6.40		6.60
e		2.28	
e1	4.40		4.60
H		16.10	
L	9.00		9.40
L1	0.80		1.20
L2		0.80	1.00
V1		10°	

## 5 Ordering information

**Table 14. Order codes**

Order code	Marking	Package	Packing
STD2NK100Z	2NK100Z	DPAK	Tape and reel
STP2NK100Z		TO-220	Tube
STU2NK100Z		IPAK	

## Revision history

**Table 15. Document revision history**

Date	Version	Changes
24-Oct-2007	1	First release
18-Jun-2008	2	<ul style="list-style-type: none"> <li>– Inserted new package, mechanical data IPAK</li> <li>– Document status promoted from preliminary data to datasheet.</li> </ul>
28-Jun-2018	3	<p>Removed maturity status indication from cover page. The document status is production data.</p> <p>Updated title in cover page, <a href="#">Section 1 Electrical ratings</a>, <a href="#">Section 2 Electrical characteristics</a> and <a href="#">Section 4 Package information</a>.</p> <p>Minor text changes.</p>

## Contents

<b>1</b>	<b>Electrical ratings</b> .....	<b>2</b>
<b>2</b>	<b>Electrical characteristics</b> .....	<b>3</b>
<b>2.1</b>	Electrical characteristics (curves) .....	5
<b>3</b>	<b>Test circuits</b> .....	<b>8</b>
<b>4</b>	<b>Package information</b> .....	<b>9</b>
<b>4.1</b>	DPAK (TO-252) type A package information .....	9
<b>4.2</b>	DPAK (TO-252) type E package information .....	11
<b>4.3</b>	DPAK (TO-252) packing information .....	13
<b>4.4</b>	TO-220 type A package information .....	15
<b>4.5</b>	IPAK (TO-251) type A package information .....	17
<b>5</b>	<b>Ordering information</b> .....	<b>20</b>
	<b>Revision history</b> .....	<b>21</b>

**IMPORTANT NOTICE – PLEASE READ CAREFULLY**

STMicroelectronics NV and its subsidiaries (“ST”) reserve the right to make changes, corrections, enhancements, modifications, and improvements to ST products and/or to this document at any time without notice. Purchasers should obtain the latest relevant information on ST products before placing orders. ST products are sold pursuant to ST’s terms and conditions of sale in place at the time of order acknowledgement.

Purchasers are solely responsible for the choice, selection, and use of ST products and ST assumes no liability for application assistance or the design of Purchasers’ products.

No license, express or implied, to any intellectual property right is granted by ST herein.

Resale of ST products with provisions different from the information set forth herein shall void any warranty granted by ST for such product.

ST and the ST logo are trademarks of ST. All other product or service names are the property of their respective owners.

Information in this document supersedes and replaces information previously supplied in any prior versions of this document.

© 2018 STMicroelectronics – All rights reserved

## Данный компонент на территории Российской Федерации

### Вы можете приобрести в компании MosChip.

Для оперативного оформления запроса Вам необходимо перейти по данной ссылке:

<http://moschip.ru/get-element>

Вы можете разместить у нас заказ для любого Вашего проекта, будь то серийное производство или разработка единичного прибора.

В нашем ассортименте представлены ведущие мировые производители активных и пассивных электронных компонентов.

Нашей специализацией является поставка электронной компонентной базы двойного назначения, продукции таких производителей как XILINX, Intel (ex.ALTERA), Vicor, Microchip, Texas Instruments, Analog Devices, Mini-Circuits, Amphenol, Glenair.

Сотрудничество с глобальными дистрибьюторами электронных компонентов, предоставляет возможность заказывать и получать с международных складов практически любой перечень компонентов в оптимальные для Вас сроки.

На всех этапах разработки и производства наши партнеры могут получить квалифицированную поддержку опытных инженеров.

Система менеджмента качества компании отвечает требованиям в соответствии с ГОСТ Р ИСО 9001, ГОСТ РВ 0015-002 и ЭС РД 009

### Офис по работе с юридическими лицами:

105318, г.Москва, ул.Щербаковская д.3, офис 1107, 1118, ДЦ «Щербаковский»

Телефон: +7 495 668-12-70 (многоканальный)

Факс: +7 495 668-12-70 (доб.304)

E-mail: [info@moschip.ru](mailto:info@moschip.ru)

Skype отдела продаж:

moschip.ru

moschip.ru\_4

moschip.ru\_6

moschip.ru\_9