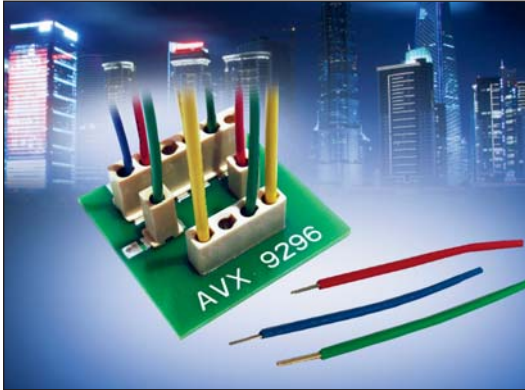


# Poke-Home: Vertical Top Entry 18-26 AWG: WTB

00-9296



AVX continues to develop innovative connectors for the industrial electronics market that provide significant benefits over existing, outdated connector solutions. Listening to the design engineering community, there are ongoing applications where they cannot find an off-the-shelf solution that will satisfy a high percentage of the projects configuration, performance and cost goals.

The newest addition to AVX's broadening line of Wire-to-Board (WTB) connectors offers a cost effective, single Poke-Home connector solution that will meet the cost and performance targets in demanding, yet user friendly applications. At the heart of the connector is the industry proven dual tine, 3mm high spring force box contact that has been on the market as a stand-alone horizontal contact only solution.

The new SMT vertical top entry connector allows for 18AWG to 26AWG wires to be simply stripped and inserted into the connector body at 180 degree orientation to the top side of the PCB. This single connector will replace existing 2-Piece WTB solutions where a header is soldered onto the PCB and a secondary crimp-to-wire receptacle assembly is plugged in. Available in 1-6 positions, each connector will accept the entire wire gauge range for either solid or stranded wires at varying current ratings supported by each wire size. Once inserted, wires can easily be removed or replaced by twisting/unscrewing or by using a small blade extraction tool.

## APPLICATIONS

- Industrial/Ruggedized Wire-to-Board applications
- Replace hard soldering of wire to a PCB
- Replace costly 2-Piece header and receptacle products
- Reference Product Specification 201-01-151
- Reference Application Notes 201-01-152

## FEATURES AND BENEFITS

- Dual Beam box contact provides maximum mechanical stability and wire retention
- Tape and reel packaged for automated SMT placement
- Will accept either solid or stranded wire, 18-26AWG, plated or un-plated wires
- Simple strip and insert for wire loading, with easy twist and pull for wire removal

## ELECTRICAL

- Voltage Rating: 200 VAC
- Current Rating: See matrix below

## ENVIRONMENTAL

- Operating Temperature: -40°C to +125°C

## MECHANICAL

- Contact Material: Copper Alloy
- Contact Plating: Tin over Nickel
- Durability: 5 Cycles

## HOW TO ORDER

<b>00</b>	<b>9296</b>	<b>00X</b>																					
Prefix	Series	Number of Ways																					
		<table border="1"> <thead> <tr> <th>Code</th> <th>No of Ways</th> <th>Details</th> </tr> </thead> <tbody> <tr> <td>001</td> <td>1</td> <td>Page 2</td> </tr> <tr> <td>002</td> <td>2</td> <td>Page 3</td> </tr> <tr> <td>003</td> <td>3</td> <td>Page 4</td> </tr> <tr> <td>004</td> <td>4</td> <td>Page 5</td> </tr> <tr> <td>005</td> <td>5</td> <td>Page 6</td> </tr> <tr> <td>006</td> <td>6</td> <td>Page 7</td> </tr> </tbody> </table>	Code	No of Ways	Details	001	1	Page 2	002	2	Page 3	003	3	Page 4	004	4	Page 5	005	5	Page 6	006	6	Page 7
Code	No of Ways	Details																					
001	1	Page 2																					
002	2	Page 3																					
003	3	Page 4																					
004	4	Page 5																					
005	5	Page 6																					
006	6	Page 7																					

<b>553</b>						
Wire Gauge Size						
<table border="1"> <thead> <tr> <th>Code</th> <th>Accepted Wire Gauge</th> <th>Max Insulation</th> </tr> </thead> <tbody> <tr> <td>553</td> <td>18 – 26 AWG Solid or Stranded</td> <td>2.2mm</td> </tr> </tbody> </table>	Code	Accepted Wire Gauge	Max Insulation	553	18 – 26 AWG Solid or Stranded	2.2mm
Code	Accepted Wire Gauge	Max Insulation				
553	18 – 26 AWG Solid or Stranded	2.2mm				

<b>9</b>	<b>06</b>
Insulator Color 9 = UL White	Plating Option 06 = Tin Plated



## CURRENT RATING

<b>18AWG</b>	<b>20AWG</b>	<b>22AWG</b>	<b>24AWG</b>	<b>26AWG</b>
7A	6A	5A	4A	3A

Certification: UL File #E90723

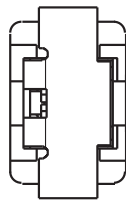
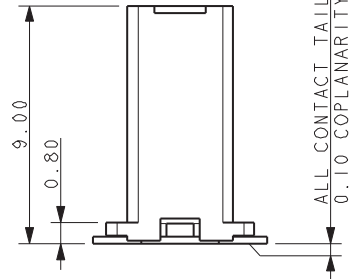
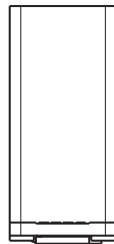
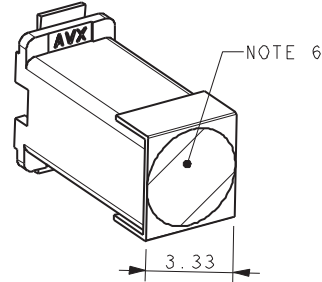
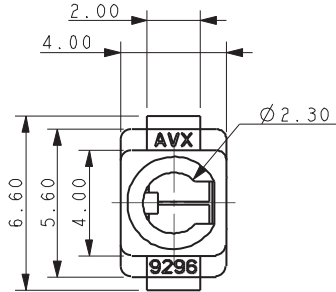
# Poke-Home: Vertical Top Entry

## 18-26 AWG: WTB

00-9296

### 9296 TOP MOUNT POKE HOME CONNECTOR

#### 1 WAY

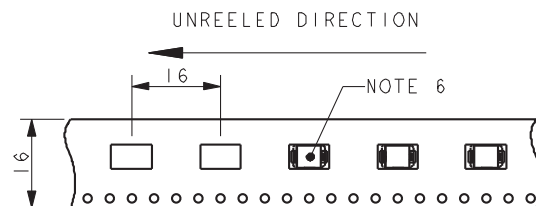
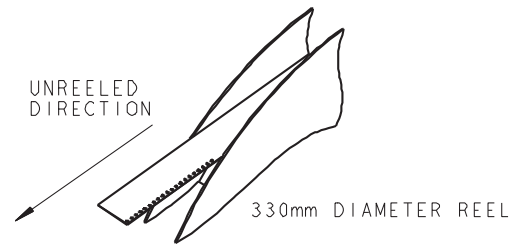
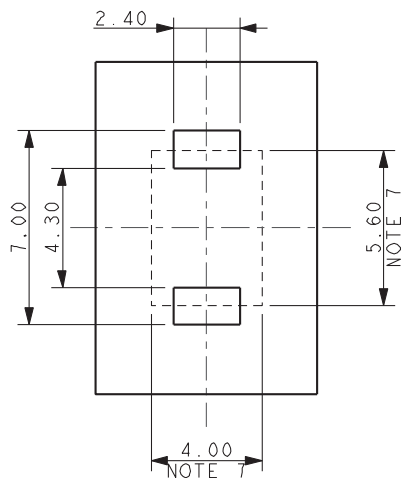


NOTES:

1. TOP MOUNT 1 WAY POKE HOME CONNECTOR. FOR FURTHER DETAILS REFER TO PRODUCT SPECIFICATION 201-01-151 AND APPLICATION NOTES 201-01-152.
2. SUITABLE FOR WIRES 18AWG TO 26AWG. MAXIMUM INSULATION 2.20MM DIAMETER.
3. INSULATOR: NYLON 46, GLASS FILLED, UL94 V-0. COLOR REFER TO PAGE 1.
4. CONTACT: TIN PLATE COPPER ALLOY.
5. PACKING IN TAPE AND REEL. QTY PER REEL 400, 330MM REEL.
6. CAPTON TAPE TO AID PICK AND PLACE, 4MM DIAMETER MAX AVAILABLE.
7. CONNECTOR OUTLINE.
8. GENERAL TOLERANCE  $\pm 0.20$ .

### PACKING DETAILS

### SUGGESTED PCB LAYOUT

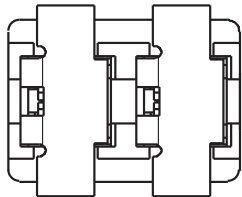
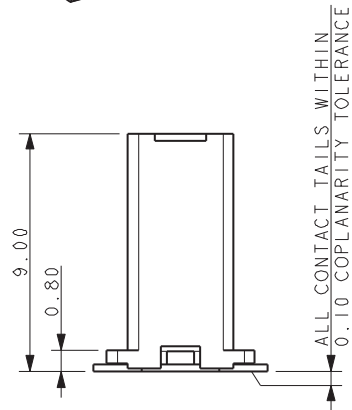
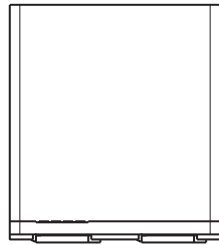
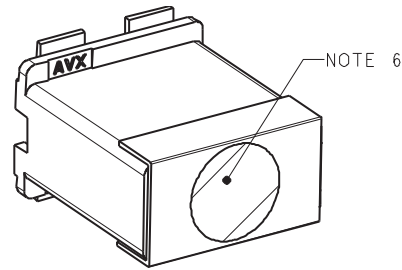
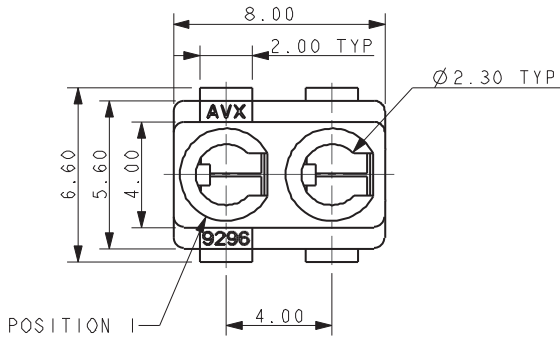


QUANTITY PER REEL 400

# Poke-Home: Vertical Top Entry 18-26 AWG: WTB

00-9296

## 9296 TOP MOUNT POKE HOME CONNECTOR 2 WAY

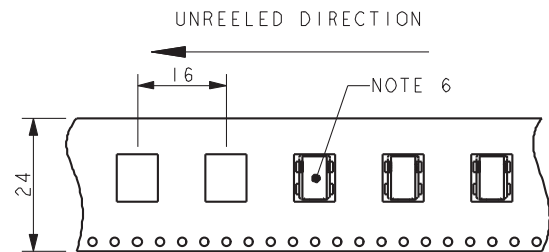
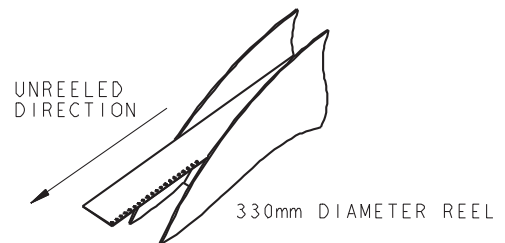
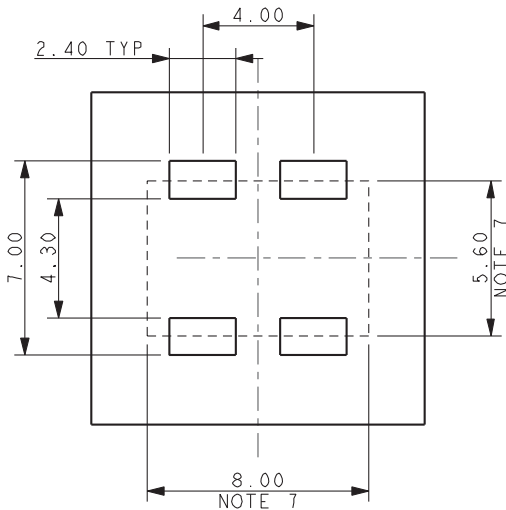


**NOTES:**

1. TOP MOUNT 2 WAY POKE HOME CONNECTOR. FOR FURTHER DETAILS REFER TO PRODUCT SPECIFICATION 201-01-151 AND APPLICATION NOTES 201-01-152.
2. SUITABLE FOR WIRES 18AWG TO 26AWG. MAXIMUM INSULATION 2.20MM DIAMETER.
3. INSULATOR: NYLON 46, GLASS FILLED, UL94 V-0. COLOR REFER TO PAGE 1.
4. CONTACT: TIN PLATE COPPER ALLOY.
5. PACKING IN TAPE AND REEL. QTY PER REEL 400, 330MM REEL.
6. CAPTON TAPE TO AID PICK AND PLACE, 4MM DIAMETER MAX AVAILABLE.
7. CONNECTOR OUTLINE.
8. GENERAL TOLERANCE  $\pm 0.20$ .

### PACKING DETAILS

### SUGGESTED PCB LAYOUT

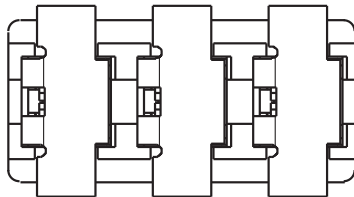
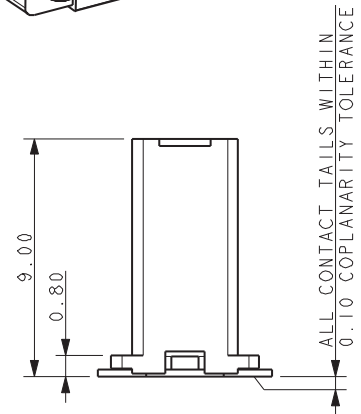
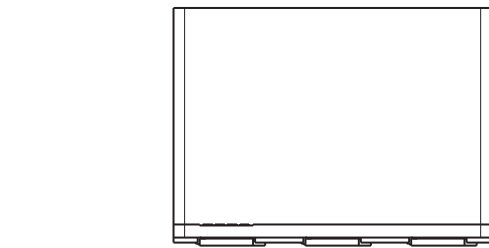
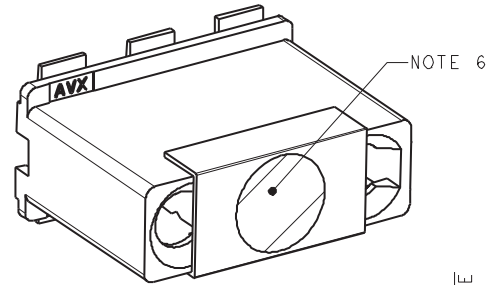
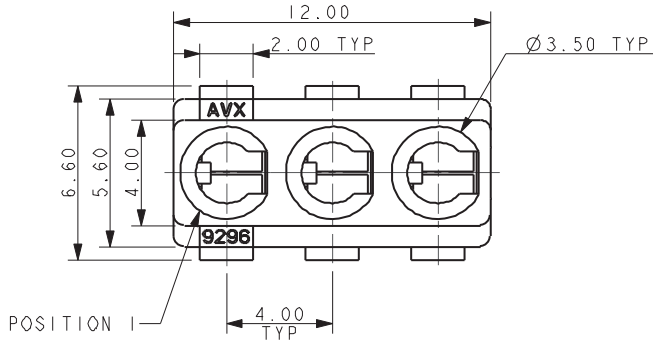


QUANTITY PER REEL 400

# Poke-Home: Vertical Top Entry 18-26 AWG: WTB

00-9296

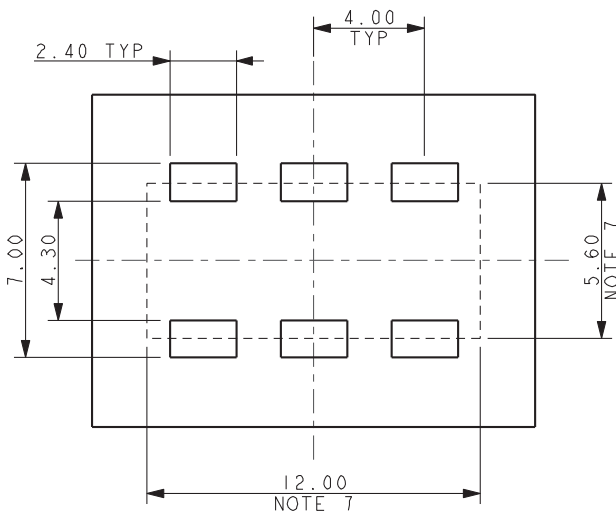
## 9296 TOP MOUNT POKE HOME CONNECTOR 3 WAY



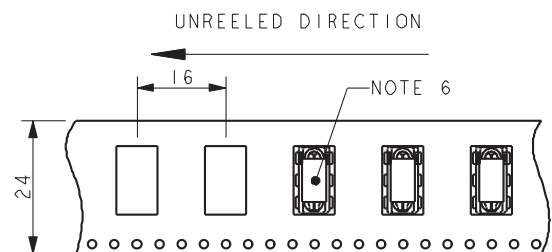
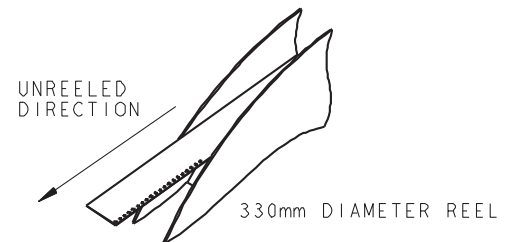
**NOTES:**

1. TOP MOUNT 3 WAY POKE HOME CONNECTOR. FOR FURTHER DETAILS REFER TO PRODUCT SPECIFICATION 201-01-151 AND APPLICATION NOTES 201-01-152.
2. SUITABLE FOR WIRES 18AWG TO 26AWG. MAXIMUM INSULATION 2.20MM DIAMETER.
3. INSULATOR: NYLON 46, GLASS FILLED, UL94 V-0. COLOR REFER TO PAGE 1.
4. CONTACT: TIN PLATE COPPER ALLOY.
5. PACKING IN TAPE AND REEL. QTY PER REEL 400, 330MM REEL.
6. CAPTON TAPE TO AID PICK AND PLACE, 4MM DIAMETER MAX AVAILABLE.
7. CONNECTOR OUTLINE.
8. GENERAL TOLERANCE  $\pm 0.20$ .

### SUGGESTED PCB LAYOUT



### PACKING DETAILS



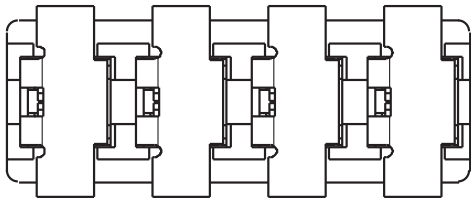
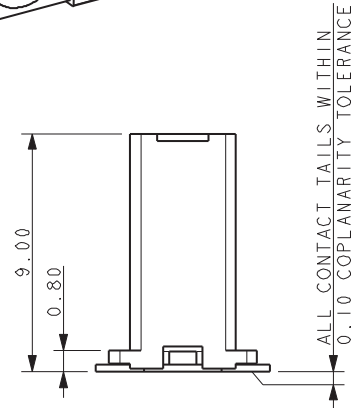
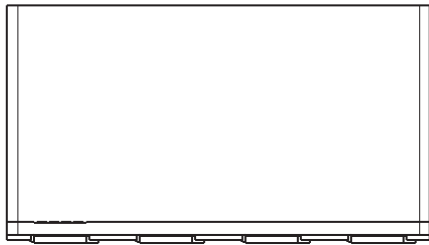
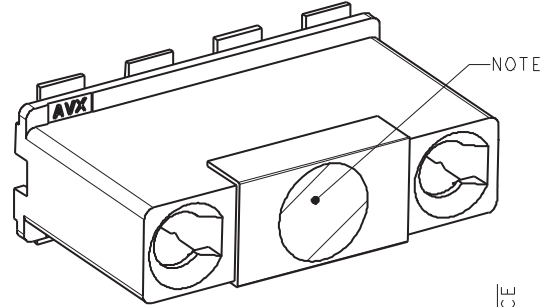
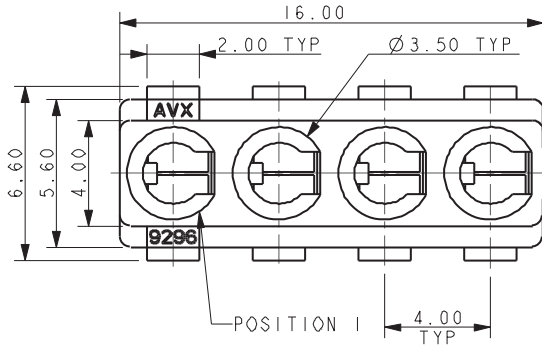
QUANTITY PER REEL 400

# Poke-Home: Vertical Top Entry 18-26 AWG: WTB

00-9296

## 9296 TOP MOUNT POKE HOME CONNECTOR

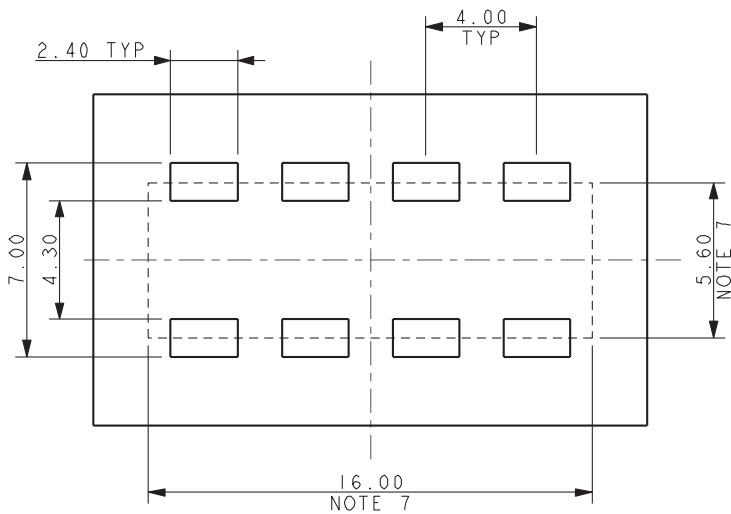
4 WAY



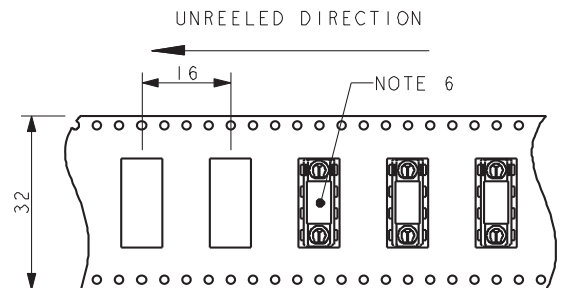
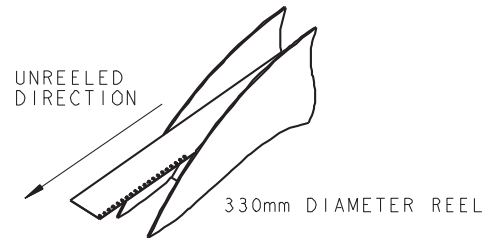
**NOTES:**

1. TOP MOUNT 4 WAY POKE HOME CONNECTOR. FOR FURTHER DETAILS REFER TO PRODUCT SPECIFICATION 201-01-151 AND APPLICATION NOTES 201-01-152.
2. SUITABLE FOR WIRES 18AWG TO 26AWG. MAXIMUM INSULATION 2.20MM DIAMETER.
3. INSULATOR: NYLON 46, GLASS FILLED, UL94 V-0. COLOR REFER TO PAGE 1.
4. CONTACT: TIN PLATE COPPER ALLOY.
5. PACKING IN TAPE AND REEL. QTY PER REEL 400, 330MM REEL.
6. CAPTON TAPE TO AID PICK AND PLACE, 4MM DIAMETER MAX AVAILABLE.
7. CONNECTOR OUTLINE.
8. GENERAL TOLERANCE ±0.20.

### SUGGESTED PCB LAYOUT



### PACKING DETAILS



QUANTITY PER REEL 400

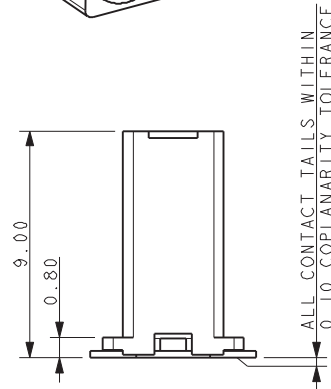
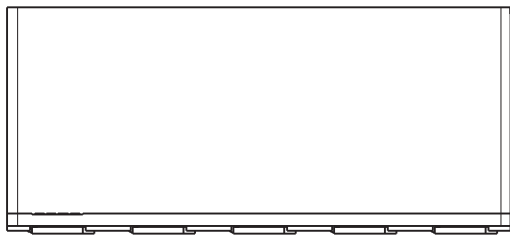
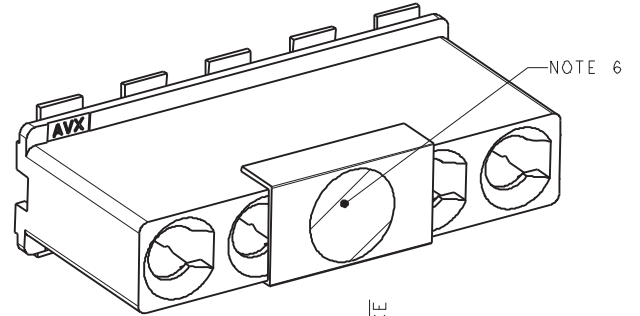
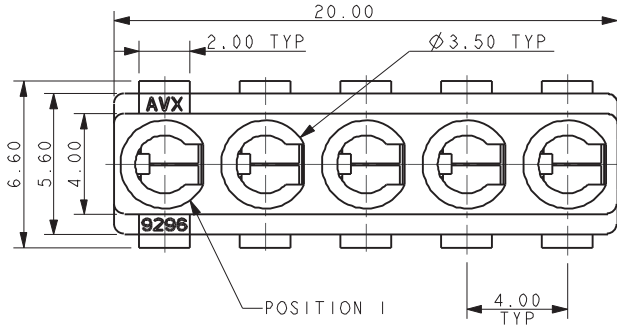
# Poke-Home: Vertical Top Entry

## 18-26 AWG: WTB

00-9296

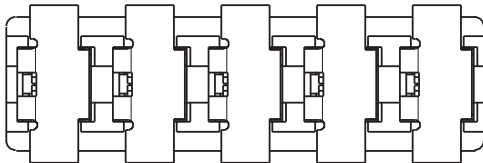
### 9296 TOP MOUNT POKE HOME CONNECTOR

5 WAY



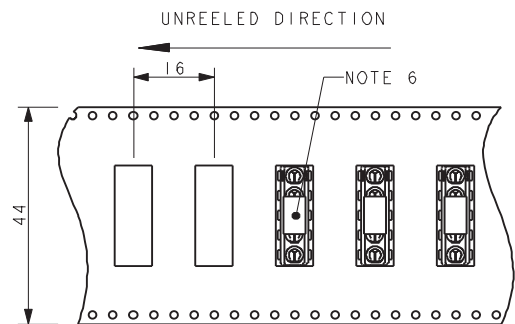
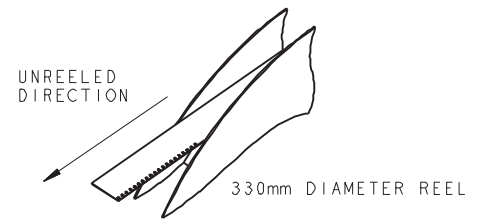
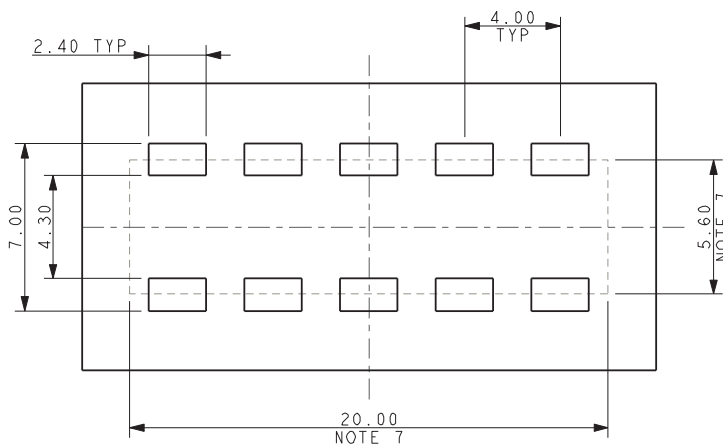
NOTES:

1. TOP MOUNT 5 WAY POKE HOME CONNECTOR. FOR FURTHER DETAILS REFER TO PRODUCT SPECIFICATION 201-01-151 AND APPLICATION NOTES 201-01-152.
2. SUITABLE FOR WIRES 18AWG TO 26AWG. MAXIMUM INSULATION 2.20MM DIAMETER.
3. INSULATOR: NYLON 46, GLASS FILLED, UL94 V-0. COLOR REFER TO PAGE 1.
4. CONTACT: TIN PLATE COPPER ALLOY.
5. PACKING IN TAPE AND REEL. QTY PER REEL 400, 330MM REEL.
6. CAPTON TAPE TO AID PICK AND PLACE, 4MM DIAMETER MAX AVAILABLE.
7. CONNECTOR OUTLINE.
8. GENERAL TOLERANCE  $\pm 0.20$ .



### PACKING DETAILS

### SUGGESTED PCB LAYOUT



QUANTITY PER REEL 400

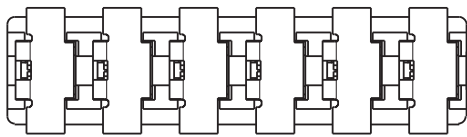
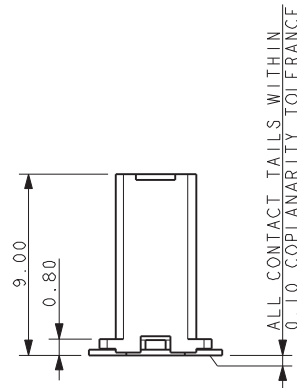
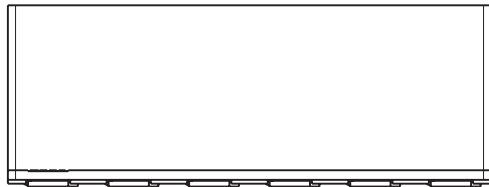
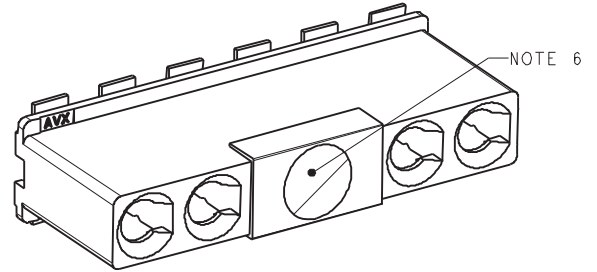
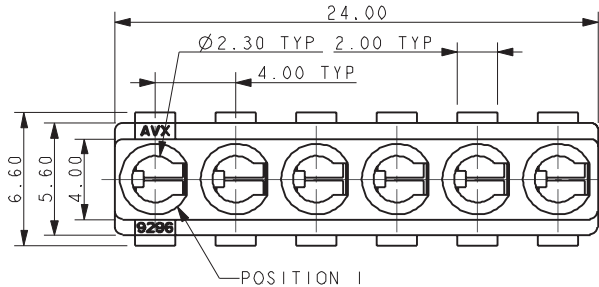
# Poke-Home: Vertical Top Entry

## 18-26 AWG: WTB

00-9296

### 9296 TOP MOUNT POKE HOME CONNECTOR

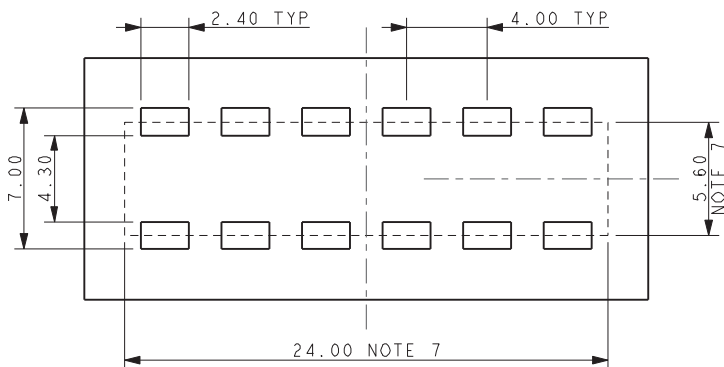
6 WAY



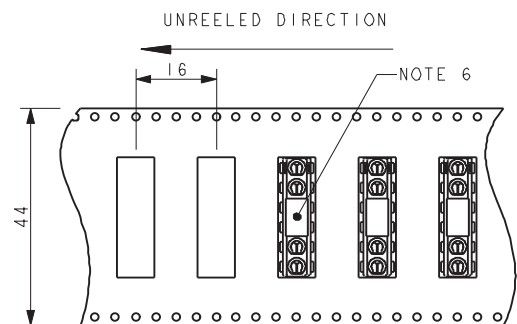
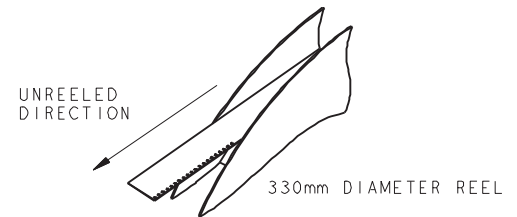
NOTES:

1. TOP MOUNT 6 WAY POKE HOME CONNECTOR. FOR FURTHER DETAILS REFER TO PRODUCT SPECIFICATION 201-01-151 AND APPLICATION NOTES 201-01-152.
2. SUITABLE FOR WIRES 18AWG TO 26AWG. MAXIMUM INSULATION 2.20MM DIAMETER.
3. INSULATOR: NYLON 46, GLASS FILLED, UL94 V-0. COLOR REFER TO PAGE 1.
4. CONTACT: TIN PLATE COPPER ALLOY.
5. PACKING IN TAPE AND REEL. QTY PER REEL 400, 330MM REEL.
6. CAPTON TAPE TO AID PICK AND PLACE, 4MM DIAMETER MAX AVAILABLE.
7. CONNECTOR OUTLINE.
8. GENERAL TOLERANCE  $\pm 0.20$ .

### SUGGESTED PCB LAYOUT



### PACKING DETAILS

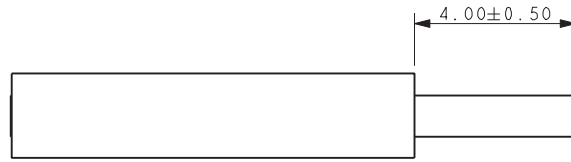


QUANTITY PER REEL 400

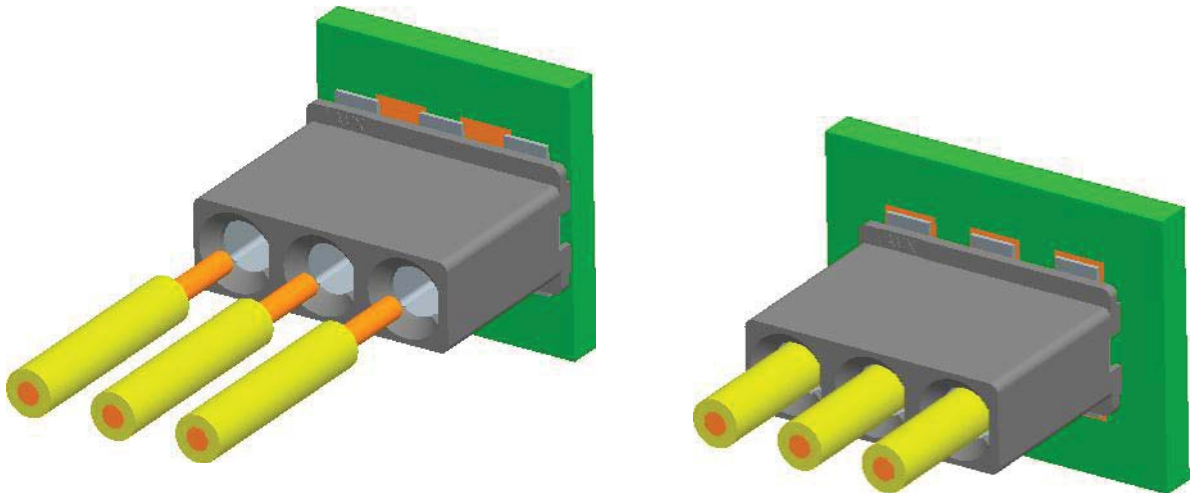
# Poke-Home: Vertical Top Entry 18-26 AWG: WTB

00-9296

## 9296 TOP MOUNT POKE HOME CONNECTOR ASSEMBLY

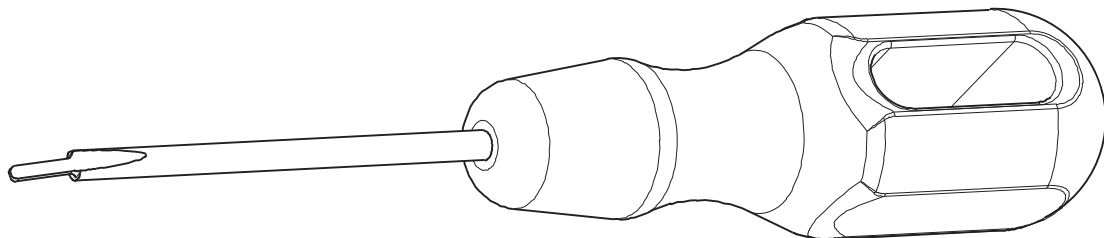


WIRE STRIP LENGTH



*Refer to application notes 201-01-152  
for full assembly procedure.*

## 9296 TOP MOUNT POKE HOME CONNECTOR WIRE EXTRACTION TOOL



06-9296-7003-01-000

*Refer to application notes 201-01-152  
for full wire extraction procedure.*



## Данный компонент на территории Российской Федерации

### Вы можете приобрести в компании MosChip.

Для оперативного оформления запроса Вам необходимо перейти по данной ссылке:

<http://moschip.ru/get-element>

Вы можете разместить у нас заказ для любого Вашего проекта, будь то серийное производство или разработка единичного прибора.

В нашем ассортименте представлены ведущие мировые производители активных и пассивных электронных компонентов.

Нашей специализацией является поставка электронной компонентной базы двойного назначения, продукции таких производителей как XILINX, Intel (ex.ALTERA), Vicor, Microchip, Texas Instruments, Analog Devices, Mini-Circuits, Amphenol, Glenair.

Сотрудничество с глобальными дистрибьюторами электронных компонентов, предоставляет возможность заказывать и получать с международных складов практически любой перечень компонентов в оптимальные для Вас сроки.

На всех этапах разработки и производства наши партнеры могут получить квалифицированную поддержку опытных инженеров.

Система менеджмента качества компании отвечает требованиям в соответствии с ГОСТ Р ИСО 9001, ГОСТ РВ 0015-002 и ЭС РД 009

### Офис по работе с юридическими лицами:

105318, г.Москва, ул.Щербаковская д.3, офис 1107, 1118, ДЦ «Щербаковский»

Телефон: +7 495 668-12-70 (многоканальный)

Факс: +7 495 668-12-70 (доб.304)

E-mail: [info@moschip.ru](mailto:info@moschip.ru)

Skype отдела продаж:

moschip.ru

moschip.ru\_4

moschip.ru\_6

moschip.ru\_9