



XC9536 In-System Programmable CPLD

DS064 (v7.0) May 17, 2013

Product Specification

Features

- 5 ns pin-to-pin logic delays on all pins
- f_{CNT} to 100 MHz
- 36 macrocells with 800 usable gates
- Up to 34 user I/O pins
- 5V in-system programmable
 - Endurance of 10,000 program/erase cycles
 - Program/erase over full commercial voltage and temperature range
- Enhanced pin-locking architecture
- Flexible 36V18 Function Block
 - 90 product terms drive any or all of 18 macrocells within Function Block
 - Global and product term clocks, output enables, set and reset signals
- Extensive IEEE Std 1149.1 boundary-scan (JTAG) support
- Programmable power reduction mode in each macrocell
- Slew rate control on individual outputs
- User programmable ground pin capability
- Extended pattern security features for design protection
- High-drive 24 mA outputs
- 3.3V or 5V I/O capability
- Advanced CMOS 5V FastFLASH™ technology
- Supports parallel programming of more than one XC9500 concurrently
- Available in 44-pin PLCC, 44-pin VQFP, 48-pin CSP packages

Description

The XC9536 is a high-performance CPLD providing advanced in-system programming and test capabilities for general purpose logic integration. It is comprised of eight 36V18 Function Blocks, providing 800 usable gates with propagation delays of 5 ns. See [Figure 2](#) for the architecture overview.

Power Management

Power dissipation can be reduced in the XC9536 by configuring macrocells to standard or low-power modes of operation. Unused macrocells are turned off to minimize power dissipation.

Operating current for each design can be approximated for specific operating conditions using the following equation:

$$I_{CC} \text{ (mA)} = MC_{HP} (1.7) + MC_{LP} (0.9) + MC (0.006 \text{ mA/MHz}) f$$

Where:

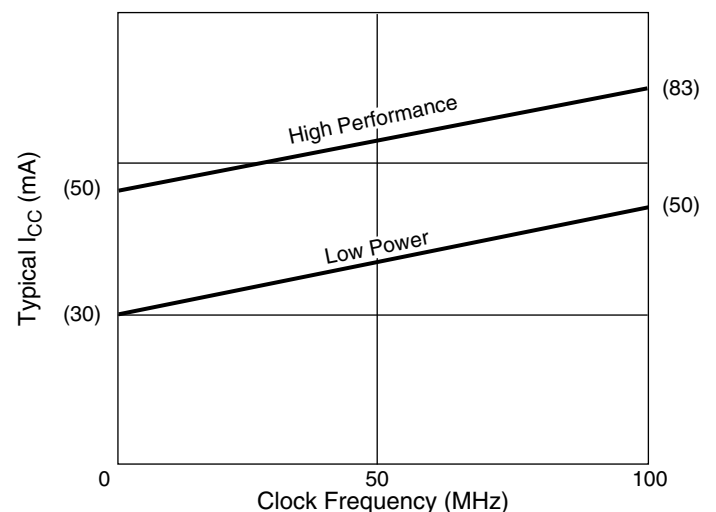
MC_{HP} = Macrocells in high-performance mode

MC_{LP} = Macrocells in low-power mode

MC = Total number of macrocells used

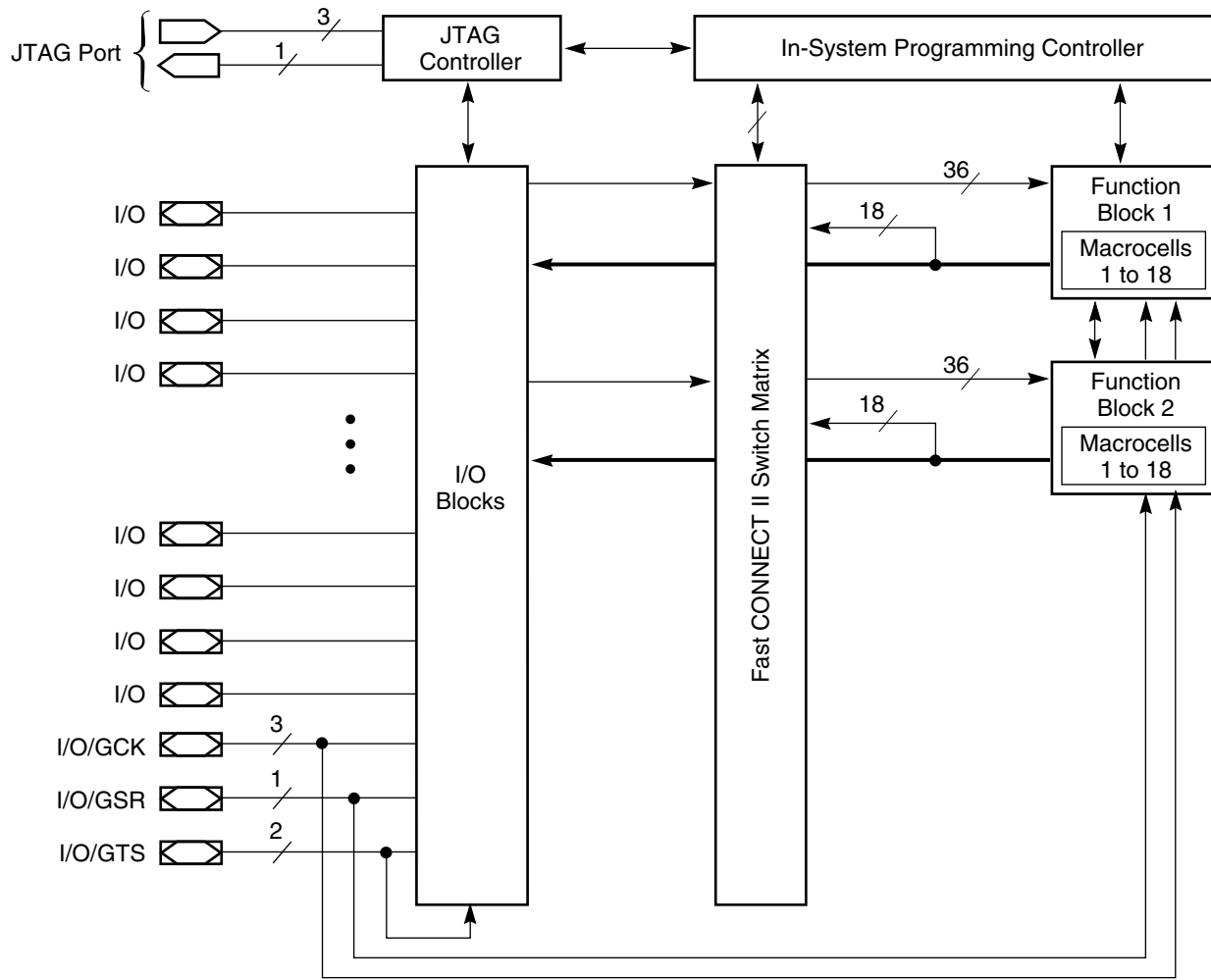
f = Clock frequency (MHz)

[Figure 1](#) shows a typical calculation for the XC9536 device.



DS064_01_110101

Figure 1: Typical I_{CC} vs. Frequency for XC9536



DS064_02_110101

Figure 2: XC9536 Architecture

Function block outputs (indicated by the bold line) drive the I/O blocks directly.

Absolute Maximum Ratings

| Symbol | Description | Value | Units |
|-----------|-----------------------------------|------------------------|-------|
| V_{CC} | Supply voltage relative to GND | -0.5 to 7.0 | V |
| V_{IN} | Input voltage relative to GND | -0.5 to $V_{CC} + 0.5$ | V |
| V_{TS} | Voltage applied to 3-state output | -0.5 to $V_{CC} + 0.5$ | V |
| T_{STG} | Storage temperature (ambient) | -65 to +150 | °C |
| T_J | Junction temperature | +150 | °C |

Notes:

- Stresses beyond those listed under Absolute Maximum Ratings may cause permanent damage to the device. These are stress ratings only, and functional operation of the device at these or any other conditions beyond those listed under Operating Conditions is not implied. Exposure to Absolute Maximum Ratings conditions for extended periods of time may affect device reliability.

Recommended Operation Conditions

| Symbol | Parameter | | Min | Max | Units |
|-------------|--|---|------|-------------------|-------|
| V_{CCINT} | Supply voltage for internal logic and input buffers | Commercial $T_A = 0^\circ\text{C}$ to 70°C | 4.75 | 5.25 | V |
| | | Industrial $T_A = -40^\circ\text{C}$ to $+85^\circ\text{C}$ | 4.5 | 5.5 | |
| V_{CCIO} | Supply voltage for output drivers for 5V operation | Commercial $T_A = 0^\circ\text{C}$ to 70°C | 4.75 | 5.25 | V |
| | | Industrial $T_A = -40^\circ\text{C}$ to $+85^\circ\text{C}$ | 4.5 | 5.5 | |
| | Supply voltage for output drivers for 3.3V operation | 3.0 | 3.6 | | |
| V_{IL} | Low-level input voltage | | 0 | 0.80 | V |
| V_{IH} | High-level input voltage | | 2.0 | $V_{CCINT} + 0.5$ | V |
| V_O | Output voltage | | 0 | V_{CCIO} | V |

Quality and Reliability Characteristics

| Symbol | Parameter | Min | Max | Units |
|----------|----------------------------------|--------|-----|--------|
| T_{DR} | Data Retention | 20 | - | Years |
| N_{PE} | Program/Erase Cycles (Endurance) | 10,000 | - | Cycles |

DC Characteristic Over Recommended Operating Conditions

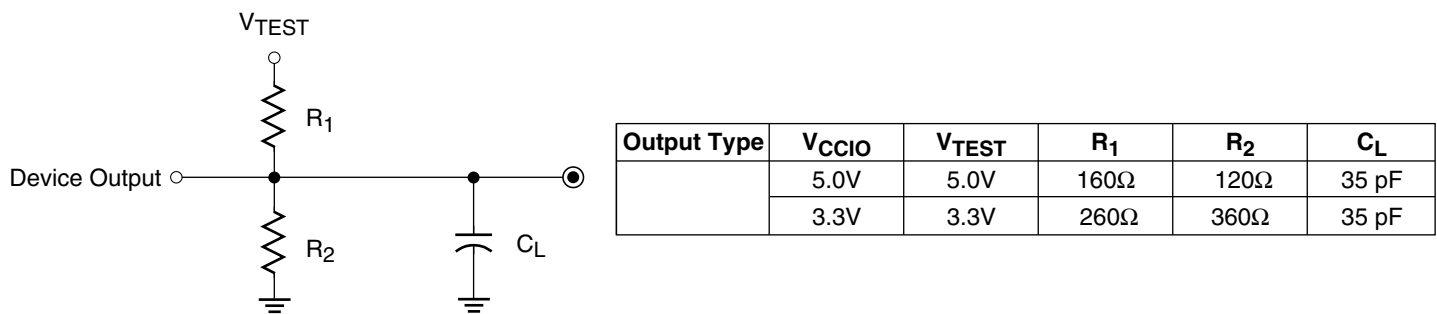
| Symbol | Parameter | Test Conditions | Min | Max | Units |
|----------|---|---|--------------|----------|---------------|
| V_{OH} | Output high voltage for 5V outputs | $I_{OH} = -4.0\text{ mA}$, $V_{CC} = \text{Min}$ | 2.4 | - | V |
| | Output high voltage for 3.3V outputs | $I_{OH} = -3.2\text{ mA}$, $V_{CC} = \text{Min}$ | 2.4 | - | V |
| V_{OL} | Output low voltage for 5V outputs | $I_{OL} = 24\text{ mA}$, $V_{CC} = \text{Min}$ | - | 0.5 | V |
| | Output low voltage for 3.3V outputs | $I_{OL} = 10\text{ mA}$, $V_{CC} = \text{Min}$ | - | 0.4 | V |
| I_{IL} | Input leakage current | $V_{CC} = \text{Max}$ $V_{IN} = \text{GND or } V_{CC}$ | - | ± 10 | μA |
| I_{IH} | I/O high-Z leakage current | $V_{CC} = \text{Max}$ $V_{IN} = \text{GND or } V_{CC}$ | - | ± 10 | μA |
| C_{IN} | I/O capacitance | $V_{IN} = \text{GND}$ $f = 1.0\text{ MHz}$ | - | 10 | pF |
| I_{CC} | Operating supply current (low power mode, active) | $V_I = \text{GND}$, No load $f = 1.0\text{ MHz}$ | 30 (Typical) | | mA |

AC Characteristics

| Symbol | Parameter | XC9536-5 | | XC9536-6 | | XC9536-7 | | XC9536-10 | | XC9536-15 | | Units |
|--------------------|---|----------|-----|----------|-----|----------|-----|-----------|------|-----------|------|-------|
| | | Min | Max | Min | Max | Min | Max | Min | Max | Min | Max | |
| T_{PD} | I/O to output valid | - | 5.0 | - | 6.0 | - | 7.5 | - | 10.0 | - | 15.0 | ns |
| T_{SU} | I/O setup time before GCK | 3.5 | - | 3.5 | - | 4.5 | - | 6.0 | - | 8.0 | - | ns |
| T_H | I/O hold time after GCK | 0 | - | 0 | - | 0 | - | 0 | - | 0 | - | ns |
| T_{CO} | GCK to output valid | - | 4.0 | - | 4.0 | - | 4.5 | - | 6.0 | - | 8.0 | ns |
| $f_{CNT}^{(1)}$ | 16-bit counter frequency | 100.0 | - | 100.0 | - | 125.0 | - | 111.1 | - | 95.2 | - | MHz |
| $f_{SYSTEM}^{(2)}$ | Multiple FB internal operating frequency | 100.0 | - | 100.0 | - | 83.3 | - | 66.7 | - | 55.6 | - | MHz |
| T_{PSU} | I/O setup time before p-term clock input | 0.5 | - | 0.5 | - | 0.5 | - | 2.0 | - | 4.0 | - | ns |
| T_{PH} | I/O hold time after p-term clock input | 3.0 | - | 3.0 | - | 4.0 | - | 4.0 | - | 4.0 | - | ns |
| T_{PCO} | P-term clock output valid | - | 7.0 | - | 7.0 | - | 8.5 | - | 10.0 | - | 12.0 | ns |
| T_{OE} | GTS to output valid | - | 5.0 | - | 5.0 | - | 5.5 | - | 6.0 | - | 11.0 | ns |
| T_{OD} | GTS to output disable | - | 5.0 | - | 5.0 | - | 5.5 | - | 6.0 | - | 11.0 | ns |
| T_{POE} | Product term OE to output enabled | - | 9.0 | - | 9.0 | - | 9.5 | - | 10.0 | - | 14.0 | ns |
| T_{POD} | Product term OE to output disabled | - | 9.0 | - | 9.0 | - | 9.5 | - | 10.0 | - | 14.0 | ns |
| T_{WLH} | GCK pulse width (High or Low) | 4.0 | - | 4.0 | - | 4.0 | - | 4.5 | - | 5.5 | - | ns |
| T_{APRPW} | Asynchronous preset/reset pulse width (High or Low) | 7.0 | - | 7.0 | - | 7.0 | - | 7.5 | - | 8.0 | - | ns |

Notes:

- f_{CNT} is the fastest 16-bit counter frequency available, using the local feedback when applicable. f_{CNT} is also the Export Control Maximum flip-flop toggle rate, f_{TOG} .
- f_{SYSTEM} is the internal operating frequency for general purpose system designs spanning multiple FBs.



DS067_03_110101

Figure 3: AC Load Circuit

Internal Timing Parameters

| Symbol | Parameter | XC9536-5 | | XC9536-6 | | XC9536-7 | | XC9536-10 | | XC9536-15 | | Units |
|---|--|----------|-----|----------|-----|----------|------|-----------|------|-----------|------|-------|
| | | Min | Max | Min | Max | Min | Max | Min | Max | Min | Max | |
| Buffer Delays | | | | | | | | | | | | |
| T_{IN} | Input buffer delay | - | 1.5 | - | 1.5 | - | 2.5 | - | 3.5 | - | 4.5 | ns |
| T_{GCK} | GCK buffer delay | - | 1.5 | - | 1.5 | - | 1.5 | - | 2.5 | - | 3.0 | ns |
| T_{GSR} | GSR buffer delay | - | 4.0 | - | 4.0 | - | 4.5 | - | 6.0 | - | 7.5 | ns |
| T_{GTS} | GTS buffer delay | - | 5.0 | - | 5.0 | - | 5.5 | - | 6.0 | - | 11.0 | ns |
| T_{OUT} | Output buffer delay | - | 2.0 | - | 2.0 | - | 2.5 | - | 3.0 | - | 4.5 | ns |
| T_{EN} | Output buffer enable/disable delay | - | 0 | - | 0 | - | 0 | - | 0 | - | 0 | ns |
| Product Term Control Delays | | | | | | | | | | | | |
| T_{PTCK} | Product term clock delay | - | 3.0 | - | 3.0 | - | 3.0 | - | 3.0 | - | 2.5 | ns |
| T_{PTSR} | Product term set/reset delay | - | 1.0 | - | 1.0 | - | 2.0 | - | 2.5 | - | 3.0 | ns |
| T_{PTTS} | Product term 3-state delay | - | 5.5 | - | 5.5 | - | 4.5 | - | 3.5 | - | 5.0 | ns |
| Internal Register and Combinatorial Delays | | | | | | | | | | | | |
| T_{PDI} | Combinatorial logic propagation delay | - | 0.5 | - | 0.5 | - | 0.5 | - | 1.0 | - | 3.0 | ns |
| T_{SUI} | Register setup time | 2.5 | - | 2.5 | - | 1.5 | - | 2.5 | - | 3.5 | - | ns |
| T_{HI} | Register hold time | 1.0 | - | 1.0 | - | 3.0 | - | 3.5 | - | 4.5 | - | ns |
| T_{COI} | Register clock to output valid time | - | 0.5 | - | 0.5 | - | 0.5 | - | 0.5 | - | 0.5 | ns |
| T_{AOI} | Register async. S/R to output delay | - | 6.0 | - | 6.0 | - | 6.5 | - | 7.0 | - | 8.0 | ns |
| T_{RAI} | Register async. S/R recover before clock | 5.0 | - | 5.0 | - | 7.5 | - | 10.0 | - | 10.0 | - | ns |
| T_{LOGI} | Internal logic delay | - | 1.0 | - | 1.0 | - | 2.0 | - | 2.5 | - | 3.0 | ns |
| T_{LOGILP} | Internal low power logic delay | - | 9.0 | - | 9.0 | - | 10.0 | - | 11.0 | - | 11.5 | ns |
| Feedback Delays | | | | | | | | | | | | |
| T_F | FastCONNECT feedback delay | - | 6.0 | - | 6.0 | - | 8.0 | - | 9.5 | - | 11.0 | ns |
| Time Adders | | | | | | | | | | | | |
| $T_{PTA}^{(1)}$ | Incremental product term allocator delay | - | 0.8 | - | 0.8 | - | 1.0 | - | 1.0 | - | 1.0 | ns |
| T_{SLEW} | Slew-rate limited delay | - | 3.5 | - | 3.5 | - | 4.0 | - | 4.5 | - | 5.0 | ns |

Notes:

- T_{PTA} is multiplied by the span of the function as defined in the XC9500 family data sheet.

XC9536 I/O Pins

| Function Block | Macroce ll | PC44 | VQ44 | CS48 | BScan Order |
|----------------|------------|------------------|-------------------|-------------------|-------------|
| 1 | 1 | 2 | 40 | D6 | 105 |
| 1 | 2 | 3 | 41 | C7 | 102 |
| 1 | 3 | 5 ^[1] | 43 ^[1] | B7 ^[1] | 99 |
| 1 | 4 | 4 | 42 | C6 | 96 |
| 1 | 5 | 6 ^[1] | 44 ^[1] | B6 ^[1] | 93 |
| 1 | 6 | 8 | 2 | A6 | 90 |
| 1 | 7 | 7 ^[1] | 1 ^[1] | A7 ^[1] | 87 |
| 1 | 8 | 9 | 3 | C5 | 84 |
| 1 | 9 | 11 | 5 | B5 | 81 |
| 1 | 10 | 12 | 6 | A4 | 78 |
| 1 | 11 | 13 | 7 | B4 | 75 |
| 1 | 12 | 14 | 8 | A3 | 72 |
| 1 | 13 | 18 | 12 | B2 | 69 |
| 1 | 14 | 19 | 13 | B1 | 66 |
| 1 | 15 | 20 | 14 | C2 | 63 |
| 1 | 16 | 22 | 16 | C3 | 60 |
| 1 | 17 | 24 | 18 | D2 | 57 |
| 1 | 18 | – | – | – | 54 |

| Function Block | Macroce ll | PC44 | VQ44 | CS48 | BScan Order |
|----------------|------------|-------------------|-------------------|-------------------|-------------|
| 2 | 1 | 1 | 39 | D7 | 51 |
| 2 | 2 | 44 | 38 | E5 | 48 |
| 2 | 3 | 42 ^[1] | 36 ^[1] | E6 ^[1] | 45 |
| 2 | 4 | 43 | 37 | E7 | 42 |
| 2 | 5 | 40 ^[1] | 34 ^[1] | F6 ^[1] | 39 |
| 2 | 6 | 39 ^[1] | 33 ^[1] | G7 ^[1] | 36 |
| 2 | 7 | 38 | 32 | G6 | 33 |
| 2 | 8 | 37 | 31 | F5 | 30 |
| 2 | 9 | 36 | 30 | G5 | 27 |
| 2 | 10 | 35 | 29 | F4 | 24 |
| 2 | 11 | 34 | 28 | G4 | 21 |
| 2 | 12 | 33 | 27 | E3 | 18 |
| 2 | 13 | 29 | 23 | F2 | 15 |
| 2 | 14 | 28 | 22 | G1 | 12 |
| 2 | 15 | 27 | 21 | F1 | 9 |
| 2 | 16 | 26 | 20 | E2 | 6 |
| 2 | 17 | 25 | 19 | E1 | 3 |
| 2 | 18 | – | – | – | 0 |

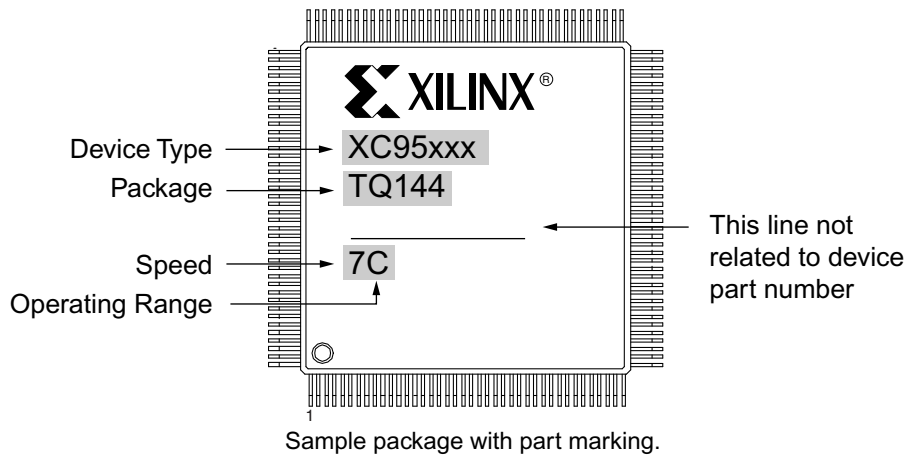
Notes :

1. Global control pin.

XC9536 Global, JTAG and Power Pins

| Pin Type | PC44 | VQ44 | CS48 |
|---------------------------|------------|-----------|----------------|
| I/O/GCK1 | 5 | 43 | B7 |
| I/O/GCK2 | 6 | 44 | B6 |
| I/O/GCK3 | 7 | 1 | A7 |
| I/O/GTS1 | 42 | 36 | E6 |
| I/O/GTS2 | 40 | 34 | F6 |
| I/O/GSR | 39 | 33 | G7 |
| TCK | 17 | 11 | A1 |
| TDI | 15 | 9 | B3 |
| TDO | 30 | 24 | G2 |
| TMS | 16 | 10 | A2 |
| V _{CCINT} 5V | 21, 41 | 15, 35 | C1, F7 |
| V _{CCIO} 3.3V/5V | 32 | 26 | G3 |
| GND | 23, 10, 31 | 17, 4, 25 | A5, D1, F3 |
| No Connects | – | – | C4, D3, D4, E4 |

Device Part Marking and Ordering Combination Information



Notes:

1. Due to the small size of chip scale packages, part marking on these packages does not follow the above sample and the complete part number cannot be included in the marking. Part marking on chip scale packages by line:
 - Line 1 = X (Xilinx logo), then truncated part number (no XC), i.e., 95xxx.
 - Line 2 = Not related to device part number.
 - Line 3 = Not related to device part number.
 - Line 4 = Package code, speed, operating temperature, three digits not related to device part number. Package code: C1 = CS48.

| Device Ordering and Part Marking Number | Speed (pin-to-pin delay) | Pkg. Symbol | No. of Pins | Package Type | Operating Range ⁽¹⁾ |
|---|--------------------------|-------------|-------------|---|--------------------------------|
| XC9536-5PC44C | 5 ns | PC44 | 44-pin | Plastic Lead Chip Carrier (PLCC) | C |
| XC9536-5PCG44C | 5 ns | PCG44 | 44-pin | Plastic Lead Chip Carrier (PLCC); Pb-Free | C |
| XC9536-5VQ44C | 5 ns | VQ44 | 44-pin | Very Thin Quad Flat Pack (VQFP) | C |
| XC9536-5VQG44C | 5 ns | VQG44 | 44-pin | Very Thin Quad Flat Pack (VQFP); Pb-Free | C |
| XC9536-5CS48C | 5 ns | CS48 | 48-ball | Chip Scale Package (CSP) | C |
| XC9536-5CSG48C | 5 ns | CSG48 | 48-ball | Chip Scale Package (CSP); Pb-Free | C |
| XC9536-6PC44C | 6 ns | PC44 | 44-pin | Plastic Lead Chip Carrier (PLCC) | C |
| XC9536-6PCG44C | 6 ns | PCG44 | 44-pin | Plastic Lead Chip Carrier (PLCC); Pb-Free | C |
| XC9536-6VQ44C | 6 ns | VQ44 | 44-pin | Very Thin Quad Flat Pack (VQFP) | C |
| XC9536-6VQG44C | 6 ns | VQG44 | 44-pin | Very Thin Quad Flat Pack (VQFP); Pb-Free | C |
| XC9536-7PC44C | 7.5 ns | PC44 | 44-pin | Plastic Lead Chip Carrier (PLCC) | C |
| XC9536-7PCG44C | 7.5 ns | PCG44 | 44-pin | Plastic Lead Chip Carrier (PLCC); Pb-Free | C |
| XC9536-7VQ44C | 7.5 ns | VQ44 | 44-pin | Very Thin Quad Flat Pack (VQFP) | C |
| XC9536-7VQG44C | 7.5 ns | VQG44 | 44-pin | Very Thin Quad Flat Pack (VQFP); Pb-Free | C |
| XC9536-7CS48C | 7.5 ns | CS48 | 48-ball | Chip Scale Package (CSP) | C |
| XC9536-7CSG48C | 7.5 ns | CSG48 | 48-ball | Chip Scale Package (CSP); Pb-Free | C |
| XC9536-7PC44I | 7.5 ns | PC44 | 44-pin | Plastic Lead Chip Carrier (PLCC) | I |
| XC9536-7PCG44I | 7.5 ns | PCG44 | 44-pin | Plastic Lead Chip Carrier (PLCC); Pb-Free | I |
| XC9536-7VQ44I | 7.5 ns | VQ44 | 44-pin | Very Thin Quad Flat Pack (VQFP) | I |
| XC9536-7VQG44I | 7.5 ns | VQG44 | 44-pin | Very Thin Quad Flat Pack (VQFP); Pb-Free | I |
| XC9536-10PC44C | 10 ns | PC44 | 44-pin | Plastic Lead Chip Carrier (PLCC) | C |
| XC9536-10PCG44C | 10 ns | PCG44 | 44-pin | Plastic Lead Chip Carrier (PLCC); Pb-Free | C |
| XC9536-10VQ44C | 10 ns | VQ44 | 44-pin | Very Thin Quad Flat Pack (VQFP) | C |

| Device Ordering and Part Marking Number | Speed (pin-to-pin delay) | Pkg. Symbol | No. of Pins | Package Type | Operating Range ⁽¹⁾ |
|---|--------------------------|-------------|-------------|---|--------------------------------|
| XC9536-10VQG44C | 10 ns | VQG44 | 44-pin | Very Thin Quad Flat Pack (VQFP); Pb-Free | C |
| XC9536-10CS48C | 10 ns | CS48 | 48-ball | Chip Scale Package (CSP) | C |
| XC9536-10CSG48C | 10 ns | CSG48 | 48-ball | Chip Scale Package (CSP); Pb-Free | C |
| XC9536-10PC44I | 10 ns | PC44 | 44-pin | Plastic Lead Chip Carrier (PLCC) | I |
| XC9536-10PCG44I | 10 ns | PCG44 | 44-pin | Plastic Lead Chip Carrier (PLCC); Pb-Free | I |
| XC9536-10VQ44I | 10 ns | VQ44 | 44-pin | Very Thin Quad Flat Pack (VQFP) | I |
| XC9536-10VQG44I | 10 ns | VQG44 | 44-pin | Very Thin Quad Flat Pack (VQFP); Pb-Free | I |
| XC9536-10CS48I | 10 ns | CS48 | 48-ball | Chip Scale Package (CSP) | I |
| XC9536-10CSG48I | 10 ns | CSG48 | 48-ball | Chip Scale Package (CSP); Pb-Free | I |
| XC9536-15PC44C | 15 ns | PC44 | 44-pin | Plastic Lead Chip Carrier (PLCC) | C |
| XC9536-15PCG44C | 15 ns | PCG44 | 44-pin | Plastic Lead Chip Carrier (PLCC); Pb-Free | C |
| XC9536-15VQ44C | 15 ns | VQ44 | 44-pin | Very Thin Quad Flat Pack (VQFP) | C |
| XC9536-15VQG44C | 15 ns | VQG44 | 44-pin | Very Thin Quad Flat Pack (VQFP); Pb-Free | C |
| XC9536-15PC44I | 15 ns | PC44 | 44-pin | Plastic Lead Chip Carrier (PLCC) | I |
| XC9536-15PCG44I | 15 ns | PCG44 | 44-pin | Plastic Lead Chip Carrier (PLCC); Pb-Free | I |
| XC9536-15VQ44I | 15 ns | VQ44 | 44-pin | Very Thin Quad Flat Pack (VQFP) | I |
| XC9536-15VQG44I | 15 ns | VQG44 | 44-pin | Very Thin Quad Flat Pack (VQFP); Pb-Free | I |

Notes:

1. C = Commercial: T_A = 0° to +70°C; I = Industrial: T_A = -40° to +85°C.

Warranty Disclaimer

THESE PRODUCTS ARE SUBJECT TO THE TERMS OF THE XILINX LIMITED WARRANTY WHICH CAN BE VIEWED AT <http://www.xilinx.com/warranty.htm>. THIS LIMITED WARRANTY DOES NOT EXTEND TO ANY USE OF THE PRODUCTS IN AN APPLICATION OR ENVIRONMENT THAT IS NOT WITHIN THE SPECIFICATIONS STATED ON THE THEN-CURRENT XILINX DATA SHEET FOR THE PRODUCTS. PRODUCTS ARE NOT DESIGNED TO BE FAIL-SAFE AND ARE NOT WARRANTED FOR USE IN APPLICATIONS THAT POSE A RISK OF PHYSICAL HARM OR LOSS OF LIFE. USE OF PRODUCTS IN SUCH APPLICATIONS IS FULLY AT THE RISK OF CUSTOMER SUBJECT TO APPLICABLE LAWS AND REGULATIONS.

Revision History

The following table shows the revision history for this document.

| Date | Version | Revision |
|------------|---------|--|
| 12/04/1998 | 5.0 | Revised data sheet to remove PCI compliancy statement and remove T _{LF} |
| 06/18/2003 | 6.0 | Updated format. |
| 08/21/2003 | 6.1 | Updated Package Device Marking Pin 1 orientation. |
| 04/15/2005 | 6.2 | Added Asynchronous Preset Reset Pulse Width Specification (T _{APRPW}) |
| 04/03/2006 | 6.3 | Added Warranty Disclaimer. Added Pb-Free package ordering information. |
| 05/17/2013 | 7.0 | The products listed in this data sheet are obsolete. See XCN11010 for further information. |

Данный компонент на территории Российской Федерации

Вы можете приобрести в компании MosChip.

Для оперативного оформления запроса Вам необходимо перейти по данной ссылке:

<http://moschip.ru/get-element>

Вы можете разместить у нас заказ для любого Вашего проекта, будь то серийное производство или разработка единичного прибора.

В нашем ассортименте представлены ведущие мировые производители активных и пассивных электронных компонентов.

Нашей специализацией является поставка электронной компонентной базы двойного назначения, продукции таких производителей как XILINX, Intel (ex.ALTERA), Vicor, Microchip, Texas Instruments, Analog Devices, Mini-Circuits, Amphenol, Glenair.

Сотрудничество с глобальными дистрибьюторами электронных компонентов, предоставляет возможность заказывать и получать с международных складов практически любой перечень компонентов в оптимальные для Вас сроки.

На всех этапах разработки и производства наши партнеры могут получить квалифицированную поддержку опытных инженеров.

Система менеджмента качества компании отвечает требованиям в соответствии с ГОСТ Р ИСО 9001, ГОСТ РВ 0015-002 и ЭС РД 009

Офис по работе с юридическими лицами:

105318, г.Москва, ул.Щербаковская д.3, офис 1107, 1118, ДЦ «Щербаковский»

Телефон: +7 495 668-12-70 (многоканальный)

Факс: +7 495 668-12-70 (доб.304)

E-mail: info@moschip.ru

Skype отдела продаж:

moschip.ru

moschip.ru_4

moschip.ru_6

moschip.ru_9