

3M™ LATCH/EJECT HEADER, 1552 SERIES
 2MM X 2MM STRAIGHT & RIGHT ANGLE, THROUGH-HOLE, STRAIGHT & SURFACE MOUNT



5 1552XX-X20X
 LATCH MATING FOR
 MOLDED-ON SOCKET
 WITH LATCHING EAR



5 1552XX-X30X
 LATCH MATING FOR
 PRESS-ON SOCKET



5 1552XX-X40X
 LATCH MATING FOR
 2MM SCI CARRIER

3 ELECTRICAL PERFORMANCE:

CURRENT RATING: 4.75A, 1 LINE POWERED
 2.00A, 6 ADJACENT LINES POWERED
 1.25A, ALL LINES POWERED

RATING CONDITIONS: EIA-364-070 METHOD 2, 30°C MAXIMUM TEMPERATURE RISE, 20% DERATED. REFERENCE APPROPRIATE 3M PRODUCT SPECIFICATION FOR DETAILED CURRENT DERATING CURVES.

INSULATION RESISTANCE: > 1X10⁹ OHMS AT 500 V_{DC}
 WITHSTANDING VOLTAGE (1552XX): 1000 V_{RMS} AT SEA LEVEL
 WITHSTANDING VOLTAGE (G1552XX): 750 V_{RMS} AT SEA LEVEL

3 ENVIRONMENTAL:

TEMPERATURE RATING: -55°C TO +105°C
 PROCESS RATING: MAXIMUM 260°C (PER J-STD-020)
 MOISTURE SENSITIVITY LEVEL: 1 (PER J-STD-020)

- * 14 PIN COUNTS RANGING FROM 06 TO 50 POSITIONS.
- * LATCH/EJECT MECHANISM SECURELY LATCHES TO SOCKET.
- * ROLL PINS RETAIN LATCHES TO BODY IN SHIPPING AND HIGH VIBRATION ENVIRONMENTS.
- * EJECTOR HELPS MAKE UNMATING OF CABLE ASSEMBLIES EASIER.
- * HIGH TEMPERATURE INSULATORS SUITABLE FOR LEAD FREE PROCESSING.
- * ROBUST SYSTEM SOLUTION WHEN USED WITH 3M IDC WIREMOUNT SOCKETS OR 3M MOLDED CABLE ASSEMBLIES.
- * SMT LATCH/EJECT HEADERS ARE AVAILABLE IN TAPE AND REEL WITH VACUUM CAP FOR AUTOMATIC PLACEMENT.

- NOTES
1. MATERIAL:
 PLASTIC:
 GLASS FILLED POLYESTER (LCP)
 UL94V-0, BLACK
 CONTACT: COPPER ALLOY.
 2. PLATING:
 50μ NICKEL UNDERPLATING
 WIPE AREA: SEE ORDERING INFO.
 SOLDER TAIL: 200μ MATTE TIN.
 3. IN THE EVENT OF CONFLICT BETWEEN THIS DATA AND THAT CONTAINED IN THE PRODUCT SPECIFICATION, THE PRODUCT SPECIFICATION TAKES PRECEDENT.
 4. REGULATORY INFORMATION:
 VISIT 3M.com/regs OR CONTACT YOUR 3M REPRESENTATIVE TO FIND THE RoHS COMPLIANCE STATUS OF THE 3M PART YOU ARE INTERESTED IN.
 5. SEE TABLE 1 FOR LATCH AVAILABILITY.
 6. MATING COMPATIBILITY SERIES:
 1522, 870, 2M AND 2MM SCI CARRIER (93XX).
 7. SURFACE MOUNT VERSION: ORDER CODE APPLIES TO THE TAPE AND REEL WIDTH.

TABLE 1

CONTACT QTY.	DIM. "A"	DIM. "B"	DIM. "D"	LATCH OPTION	TAPE WIDTH	ORDER CODE	CONTACT QTY.
06	.673 [17.09]	.157 [4.00]	.333 [8.45]	2, 4	44 MM	WD	06
08	.752 [19.10]	.236 [6.00]	.411 [10.44]	2, 4	44 MM	WD	08
10	.831 [21.10]	.315 [8.00]	.490 [12.45]	2, 3, 4	44 MM	WD	10
12	.910 [23.10]	.394 [10.00]	.569 [14.45]	3, 4	44 MM	WD	12
16	1.067 [27.10]	.551 [14.00]	.726 [18.44]	2, 4	56 MM	WE	16
20	1.224 [31.09]	.709 [18.00]	.884 [22.45]	2, 3, 4	56 MM	WE	20
22	1.303 [33.10]	.787 [20.00]	.963 [24.46]	2, 4	56 MM	WE	22
24	1.382 [35.10]	.866 [22.00]	1.041 [26.44]	2, 4	56 MM	WE	24
26	1.461 [37.10]	.945 [24.00]	1.120 [28.45]	2, 3, 4	72 MM	WF	26
30	1.618 [41.10]	1.102 [28.00]	1.278 [32.46]	2, 4	72 MM	WF	30
34	1.774 [45.09]	1.260 [32.00]	1.435 [36.46]	2, 4	72 MM	WF	34
40	2.012 [51.10]	1.496 [38.00]	1.671 [42.44]	2, 3, 4	72 MM	WF	40
44	2.169 [55.09]	1.654 [42.00]	1.829 [46.46]	2, 3, 4	88 MM	WG	44
50	2.405 [61.09]	1.980 [48.00]	2.065 [54.45]	2, 3, 4	88 MM	WG	50



TYPICAL CONNECTOR DIMENSIONS FOR THE HEADERS ON THIS DRAWING (EXCEPT AS NOTED)

DESIGN REFERENCE	NEXT ASSEMBLY	REV	ECO	ISSUE DATE AND DESCRIPTION	DRFT	CHKD
DIVISION	DIVISION CODE	DATE	DATE	DATE	DATE	DATE
	EMSD	JAN 21, 2015	JAN 21, 2015	JAN 21, 2015		
DO NOT SCALE DRAWING	SCALE 4/1	TOLERANCES EXCEPT AS NOTED		INCHES		
				.00 ± .01		
				.000 ± .008		
				.0000 ±		
				MILLIMETERS		
				0 ± .3		
				.00 ± .20		
				.000 ±		
				ANGLES		
				MARKED ONLY		

58601 AUG 11, 2016 JNC RS
 8-11-16 ADD SHT 4
 REVISE TRADEMAKE NOTE JUN 01, 2016
 PRODUCTION RELEASE, APR 29, 2016

3M Center St. Paul, MN 55144
 © 3M COPYRIGHT 2017
 This document and the information it contains are 3M property and may not be reproduced or further distributed without 3M permission, or used or disclosed other than for 3M authorized purposes. All rights reserved.

TITLE: LATCH/EJECT HEADER, 2MM, STRAIGHT, RIGHT ANGLE & SMT

CAGE NUMBER: D78-5100-2199-7
 DRAWING NO.: 78-5100-2199-7
 REV. L

MODEL: 1552
 DET: 1515
 YES NO SHT 1 OF 4

3M ELECTRONICS MATERIALS SOLUTIONS DIVISION
 INTERCONNECT SOLUTIONS
<http://www.3mconnectors.com>

3M IS A TRADEMARK OF 3M COMPANY.
 FOR TECHNICAL, SALES OR ORDERING
 INFORMATION CALL 800-225-5373

78-5100-2199-7
 DRAWING NUMBER
 78-5100-2199-7
 DRAWING NUMBER
 Time5/17/2017UTC Offset

3M™ LATCH/EJECT HEADER, 1552 SERIES
2MM X 2MM STRAIGHT & RIGHT ANGLE, THROUGH-HOLE, STRAIGHT & SURFACE MOUNT

STRAIGHT VERSION



ORDERING INFORMATION
1552XX-6X0X-XX

CONTACT QUANTITY: 2 3 4

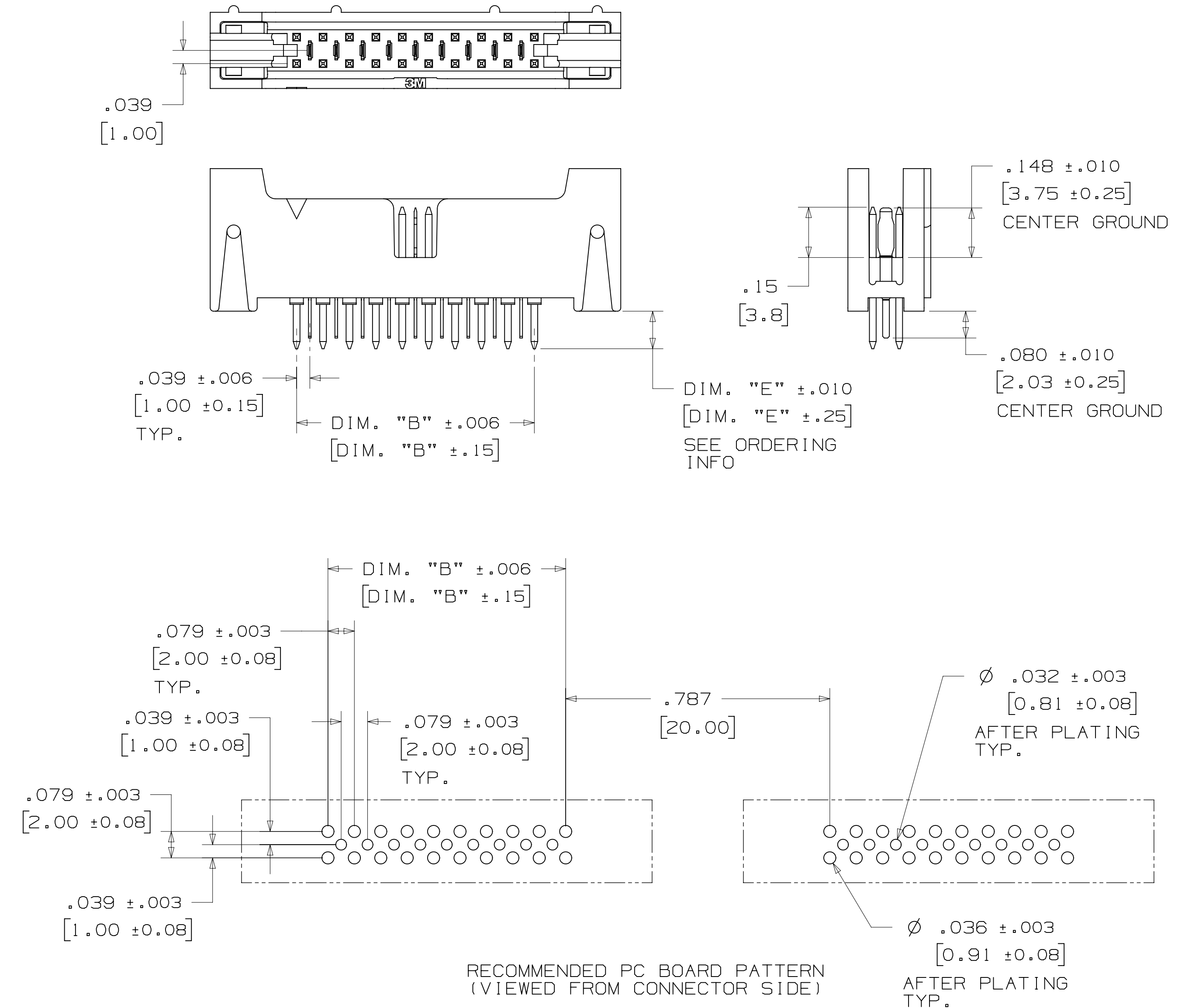
LATCHING OPTIONS:
2 = LATCH, MOLDED-ON SOCKET WITH LATCHING EARS, SERIES: 870, 2MM
3 = LATCH, PRESS-ON SOCKET, SERIES: 1522
4 = LATCH, 2MM SCI CARRIER ONLY, SERIES: 93XX

PLATING OPTIONS:
RB = 30µIN [.76µm] GOLD
RA = 10µIN [.25µm] GOLD (RIA E1 & C1 APPLY) FOR BOTH PLATINGS

SOLDER TAIL LENGTH:
DIMENSION "E"
2 = .112 [2.84]
3 = .155 [3.94]

RECOMMENDED PC BOARD PATTERN (VIEWED FROM CONNECTOR SIDE)

STRAIGHT VERSION WITH INTERSTITIAL GROUNDS



ORDERING INFORMATION
G1552XX-6X0X-XX

CONTACT QUANTITY: 2 3 4

LATCHING OPTIONS:
4 = LATCH, 2MM SCI CARRIER ONLY, SERIES 93XX

PLATING OPTIONS:
RB = 30µIN [.76µm] GOLD
RA = 10µIN [.25µm] GOLD (RIA E1 & C1 APPLY) FOR BOTH PLATINGS

SOLDER TAIL LENGTH:
DIMENSION "E"
2 = .112 [2.84]

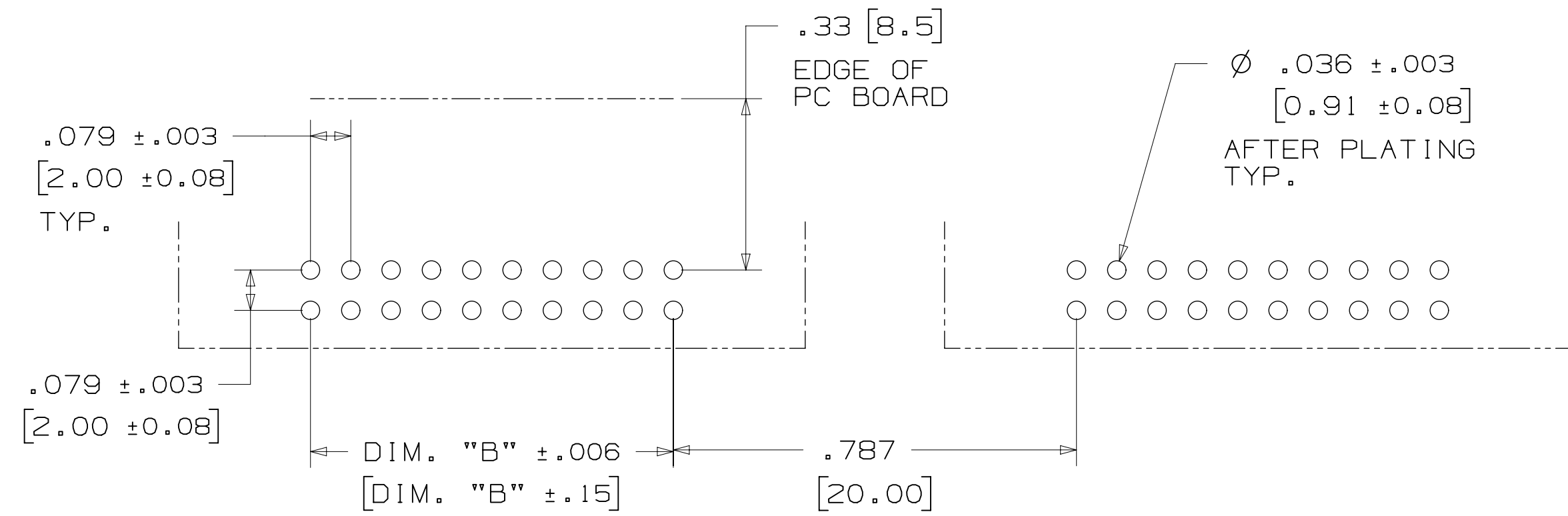
RECOMMENDED PC BOARD PATTERN (VIEWED FROM CONNECTOR SIDE)

DESIGN REFERENCE	NEXT ASSEMBLY	REV	ECO	ISSUE DATE AND DESCRIPTION	DRFT	CHKD
DATE	DATE	DATE	DATE	DATE	DATE	DATE
CHKD	DATE	APPV	DATE			
DIVISION	DIVISION CODE					
DO NOT SCALE DRAWING	SCALE 4/1	TOLERANCES EXCEPT AS NOTED INCHES .0 ±.01 .000 ±.008 .0000 ±.0000 MILLIMETERS 0 ±.3 .00 ±.20 .000 ±.000				
THIRD ANGLE PROJECTION	INTERPRET PER ASME Y14.5 - 2009	TITLE LATCH/EJECT HEADER, 2MM, STRAIGHT, RIGHT ANGLE & SMT				
MAX SURFACE ROUGHNESS	MARKED ONLY	CAGE NUMBER	SIZE	DRAWING NO.	REV.	
		D		78-5100-2199-7	L	
		MODEL		1552	DET	ISTS <input type="checkbox"/> YES <input checked="" type="checkbox"/> NO <input type="checkbox"/> SHT 2 OF 4

78-5100-2199-7 DRAWING NUMBER
REV. 1
Standard Time5/17/2017UTC Offset

3M™ LATCH/EJECT HEADER, 1552 SERIES
2MM X 2MM STRAIGHT & RIGHT ANGLE, THROUGH-HOLE, STRAIGHT & SURFACE MOUNT

RIGHT ANGLE VERSION



RECOMMENDED PC BOARD PATTERN
(VIEWED FROM CONNECTOR SIDE)

ORDERING INFORMATION

1552XX-5X0X-XX

CONTACT QUANTITY: []

- LATCHING OPTIONS:
- 2 = LATCH, MOLDED-ON SOCKET WITH LATCHING EARS, SERIES: 870, 2MM
 - 3 = LATCH, PRESS-ON SOCKET, SERIES: 1522
 - 4 = LATCH, 2MM SCI CARRIER ONLY, SERIES 93XX

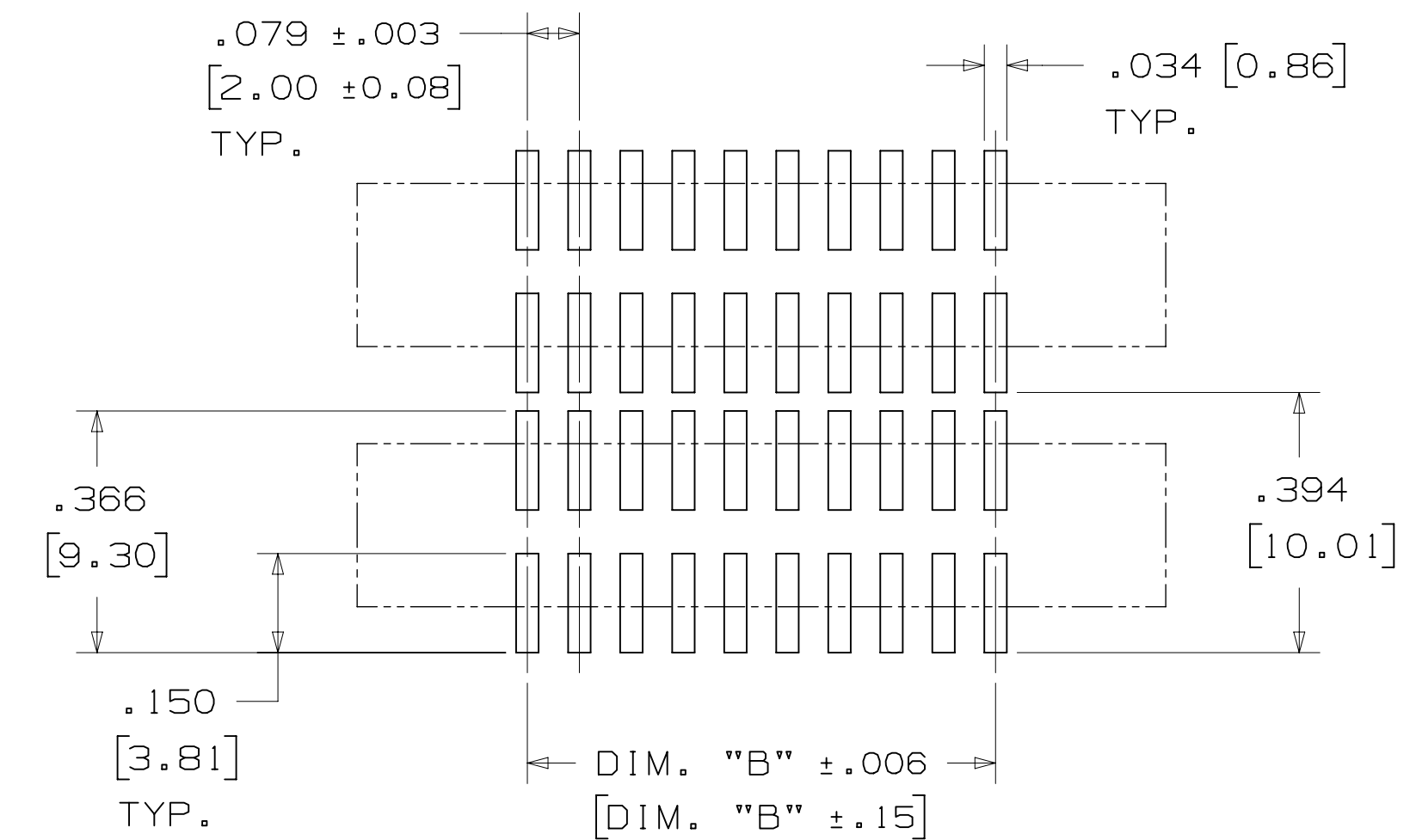
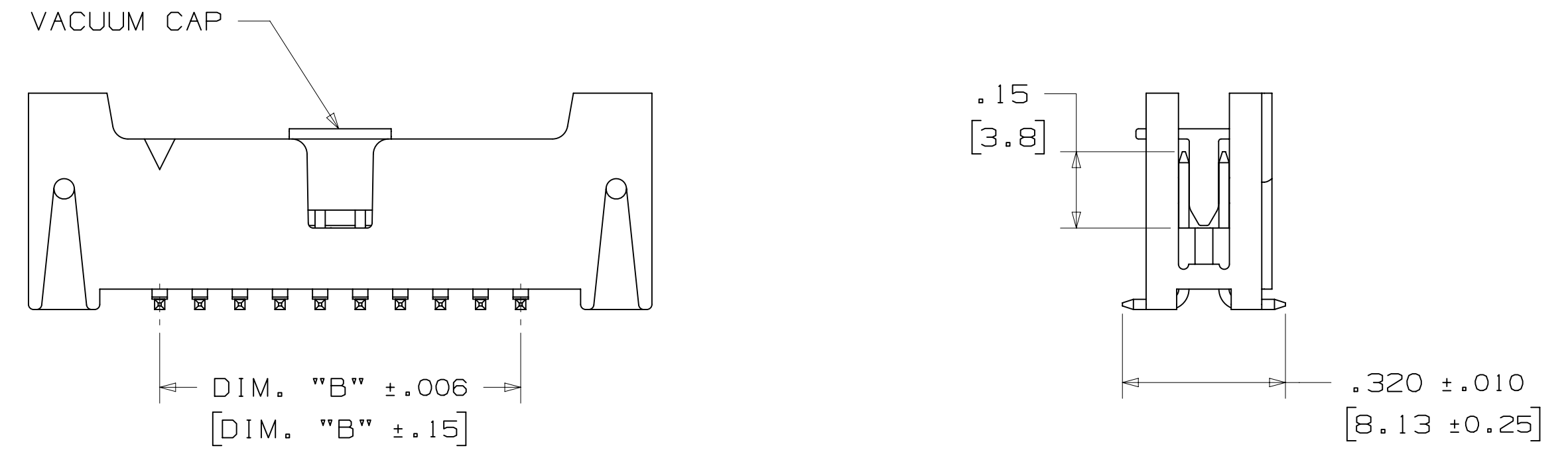
- PLATING OPTIONS:
- RB = 30µIN [.76µm] GOLD
 - RA = 10µIN [.25µm] GOLD (RIA E1 & C1 APPLY) FOR BOTH PLATINGS

- SOLDER TAIL LENGTH:
DIMENSION "E"
- 2 = .112 [2.84]
 - 3 = .155 [3.94]

SURFACE MOUNT VERSION

NOTES:

- 1) TAPE & REEL PARTS ALWAYS SUPPLIED WITH VACUUM PICK-UP CAP.
- 2) TAPE & REEL NOT AVAILABLE WITH SCI LATCH OPTION.
- 3) TRAY PARTS SUPPLIED WITHOUT VACUUM PICK-UP CAP.



RECOMMENDED PC BOARD PATTERN
(VIEWED FROM CONNECTOR SIDE)

ORDERING INFORMATION

1552XX-2X00-XX-XX

CONTACT QUANTITY: []

- LATCHING OPTIONS:
- 2 = LATCH, MOLDED-ON SOCKET WITH LATCHING EARS, SERIES: 870, 2MM
 - 3 = LATCH, PRESS-ON SOCKET, SERIES: 1522
 - 4 = LATCH, 2MM SCI CARRIER ONLY, SERIES 93XX

- PACKAGING:
BLANK = TRAYS
WX = TAPE & REEL
(SEE TABLE 1 ORDER CODE)

- PLATING OPTIONS:
- RB = 30µIN [.76µm] GOLD
 - RA = 10µIN [.25µm] GOLD (RIA E1 & C1 APPLY) FOR BOTH PLATINGS

DESIGN REFERENCE	NEXT ASSEMBLY	REV	ECO	ISSUE DATE AND DESCRIPTION	DRFT	CHKD
DATE	DATE	DATE	DATE	DATE	DATE	DATE
CSTIGLIONE		JAN 21, 2015				
				R. SCHERER		JAN 21, 2015
DIVISION	DIVISION CODE	© 3M COPYRIGHT 2017 This document and the information it contains are 3M property and may not be reproduced or further distributed without 3M permission, or used or disclosed other than for 3M authorized purposes. All rights reserved.				
DO NOT SCALE DRAWING	SCALE 4/1	TOLERANCES EXCEPT AS NOTED INCHES .00 ±.01 .000 ±.008 .0000 ±				
THIRD ANGLE PROJECTION		MILLIMETERS 0 ±.3 .00 ±.20 .000 ±				
INTERPRET PER ASME Y14.5 - 2009		CAGE NUMBER D78-5100-2199-7 L MODEL 1552 DET. [] SHT 3 OF 4				
MAX SURFACE ROUGHNESS		SURFACES .000 ±				
MARKED ONLY		ANGLE []				

3M™ LATCH/EJECT HEADER, 1552 SERIES
 2MM X 2MM STRAIGHT & RIGHT ANGLE, THROUGH-HOLE, STRAIGHT & SURFACE MOUNT

Technical Information: The technical information, recommendations and other statements contained in this document are based upon tests or experience that 3M believes are reliable, but the accuracy or completeness of such information is not guaranteed.

Product Use: Many factors beyond 3M's control and uniquely within user's knowledge and control can affect the use and performance of a 3M product in a particular application. Given the variety of factors that can affect the use and performance of a 3M product, user is solely responsible for evaluating the 3M product and determining whether it is fit for a particular purpose and suitable for user's method of application.

Warranty, Limited Remedy, and Disclaimer: Unless an additional warranty is specifically stated on the applicable 3M product packaging or product literature, 3M warrants that each 3M product meets the applicable 3M product specification at the time 3M ships the product. 3M MAKES NO OTHER WARRANTIES OR CONDITIONS, EXPRESS OR IMPLIED, INCLUDING, BUT NOT LIMITED TO, ANY IMPLIED WARRANTY OR CONDITION OF MERCHANTABILITY OR FITNESS FOR A PARTICULAR PURPOSE OR ANY IMPLIED WARRANTY OR CONDITION ARISING OUT OF A COURSE OF DEALING, CUSTOM OR USAGE OF TRADE. If the 3M product does not conform to this warranty, then the sole and exclusive remedy is, at 3M's option, replacement of the 3M product or refund of the purchase price.

Limitation of Liability: Except where prohibited by law, 3M will not be liable for any loss or damage arising from the 3M product, whether direct, indirect, special, incidental or consequential, regardless of the legal theory asserted, including warranty, contract, negligence or strict liability.

Unless otherwise noted, references to industry specifications are intended to indicate substantial compliance to the material elements of the specification. Such references should not be construed as a guarantee of compliance to all requirements in a given specification.

DESIGN REFERENCE		NEXT ASSEMBLY		REV	ECO	ISSUE DATE AND DESCRIPTION		DRFT	CHKD
ACROSS		DOWN		OFF	DATE	MFG		DATE	
CODES				CHKD	DATE	APPRV		DATE	
DIVISION		DIVISION CODE		L 58601		AUG 11, 2016		JNC	RS
DO NOT SCALE DRAWING		SCALE 1/1		CASTIGLIONE		JAN 21, 2015		8-11-16 ADD SHT 4 REVISE TRADEMAKE NOTE JUN 01, 2016 PRODUCTION RELEASE, APR 29, 2016	
THIRD ANGLE PROJECTION		TOLERANCES EXCEPT AS NOTED		3M Center St. Paul, MN 55144		© 3M COPYRIGHT 2017		This document and the information it contains are 3M property and may not be reproduced or further distributed without 3M permission, or used or disclosed other than for 3M authorized purposes. All rights reserved.	
INTERPRET PER ASME Y14.5 - 2009		INCHES 0 ± .01 .000 ± .008 .0000 ±		MILLIMETERS 0 ± .3 .00 ± .20 .000 ±		TITLE		LATCH/EJECT HEADER, 2MM, STRAIGHT, RIGHT ANGLE & SMT	
MAX SURFACE ROUGHNESS		MARKED SURFACES		CAGE NUMBER		DRAWING NO.		REV.	
✓ MARKED ONLY		ANGLES		D 78-5100-2199-7		L		L	
				MODEL 1552		DET		SHT 4 OF 4	

78-5100-2199-7 DRAWING NUMBER
 1552
 Standard Time5/17/2017UTC Offrset

Данный компонент на территории Российской Федерации

Вы можете приобрести в компании MosChip.

Для оперативного оформления запроса Вам необходимо перейти по данной ссылке:

<http://moschip.ru/get-element>

Вы можете разместить у нас заказ для любого Вашего проекта, будь то серийное производство или разработка единичного прибора.

В нашем ассортименте представлены ведущие мировые производители активных и пассивных электронных компонентов.

Нашей специализацией является поставка электронной компонентной базы двойного назначения, продукции таких производителей как XILINX, Intel (ex.ALTERA), Vicor, Microchip, Texas Instruments, Analog Devices, Mini-Circuits, Amphenol, Glenair.

Сотрудничество с глобальными дистрибьюторами электронных компонентов, предоставляет возможность заказывать и получать с международных складов практически любой перечень компонентов в оптимальные для Вас сроки.

На всех этапах разработки и производства наши партнеры могут получить квалифицированную поддержку опытных инженеров.

Система менеджмента качества компании отвечает требованиям в соответствии с ГОСТ Р ИСО 9001, ГОСТ РВ 0015-002 и ЭС РД 009

Офис по работе с юридическими лицами:

105318, г.Москва, ул.Щербаковская д.3, офис 1107, 1118, ДЦ «Щербаковский»

Телефон: +7 495 668-12-70 (многоканальный)

Факс: +7 495 668-12-70 (доб.304)

E-mail: info@moschip.ru

Skype отдела продаж:

moschip.ru

moschip.ru_4

moschip.ru_6

moschip.ru_9