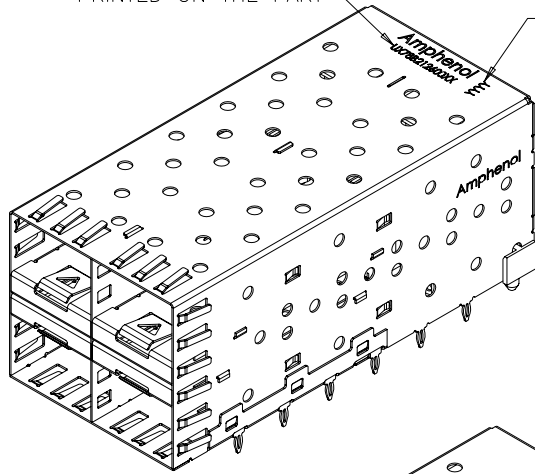
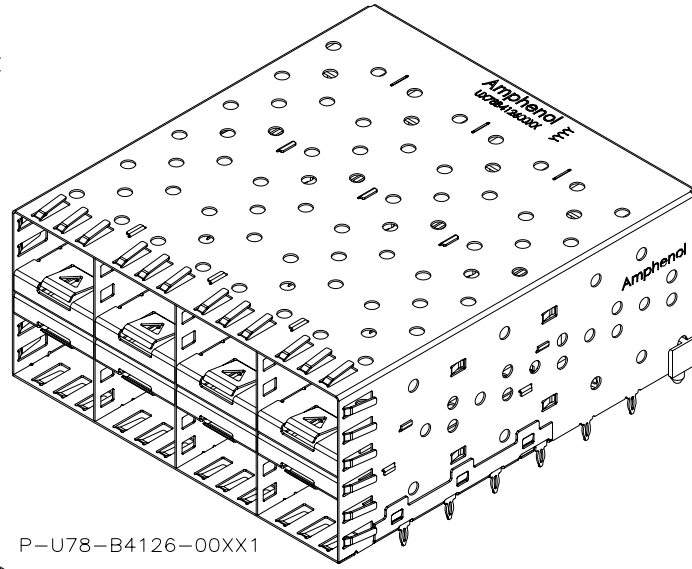


LAST DIGIT INDICATING PACKAGING TYPE, NOT PRINTED ON THE PART

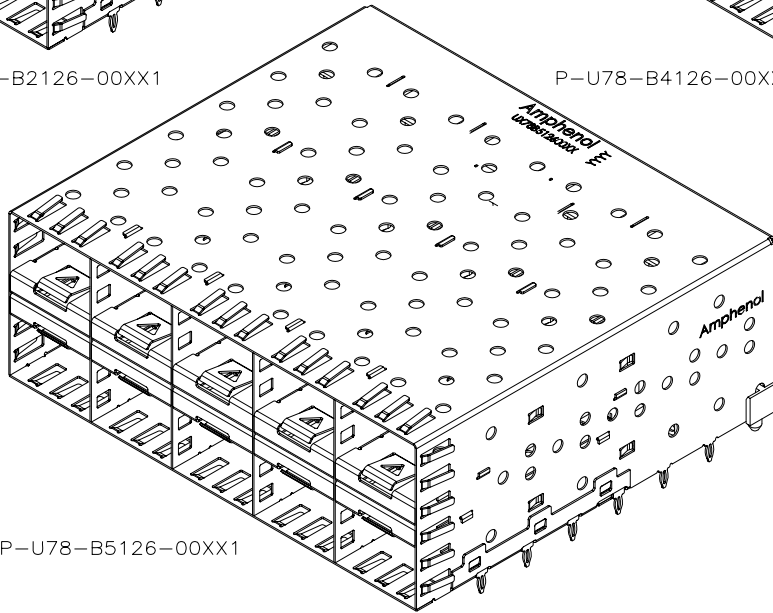
DATE CODE



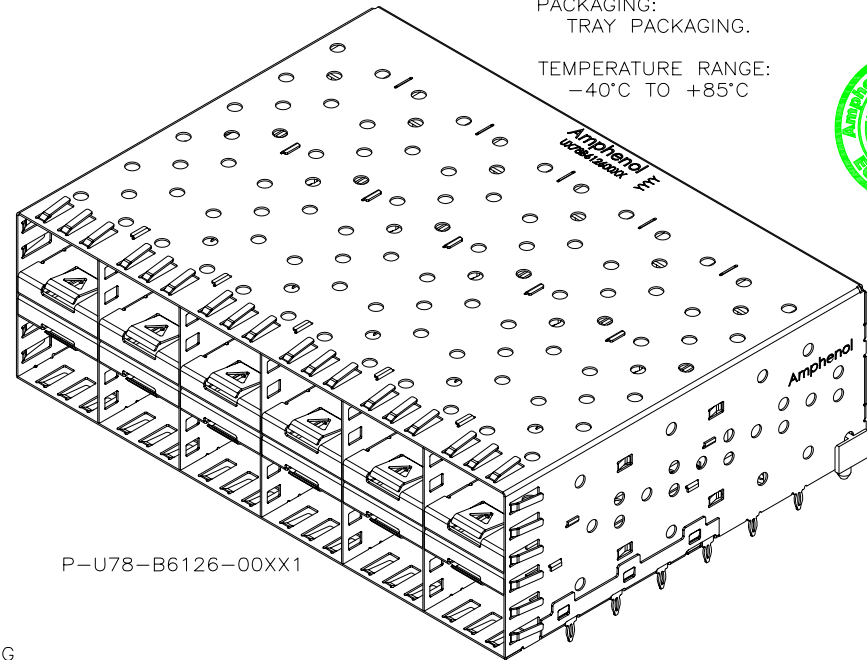
P-U78-B2126-00XX1



P-U78-B4126-00XX1



P-U78-B5126-00XX1



P-U78-B6126-00XX1

AMPHENOL PART NUMBER CONFIGURATION

- U78 - B X 1 2 6 - 0 0 X X 1
- NUMBER OF PORTS
    - 2 = 2X2 (4 PORTS)
    - 4 = 2X4 (8 PORTS)
    - 5 = 2X5 (10 PORTS)
    - 6 = 2X6 (12 PORTS)
  - PACKAGING
    - 1 = TRAY
  - CAGE PLATING
    - 1 = TIN PLATING
    - 2 = NICKEL PLATING
  - PRESS FIT CONNECTOR PLATING
    - 1 = 30 U" MIN. GOLD ON MATING AREA  
150-300 U" TIN/LEAD ON TERMINATION
    - 4 = 15 U" MIN. GOLD ON MATING AREA  
150-300 U" TIN/LEAD ON TERMINATION

REVISIONS				
SYM	ZONE	ECN, ERN NO.	DATE	APPRD.
A		PROPOSAL	2005/09/23	
C		PIN # ADDED ON MATING AREA	2006/05/31	
D		UPDATED	NOV05/08	

THIS IS A CAD DRAWING. DO NOT MANUALLY REVISE.

MATERIAL: (RoHS-5 COMPLAINT)

CAGE PRESS FIT (RoHS COMPLIANT):  
COPPER ALLOY

PLATING:  
SEE AMPHENOL PART NUMBER  
CONFIGURATION FOR OPTIONS.

CONNECTOR PRESS FIT (RoHS-5 COMPLIANT):

PLASTIC HOUSING:  
HIGH TEMPERATURE RESISTANT NYLON  
FLAMMABILITY RATING UL94V-0.

CONTACTS:  
PHOSPHOR BRONZE  
PLATING OPTION:  
SEE AMPHENOL PART NUMBER  
CONFIGURATION FOR OPTIONS.

PACKAGING:  
TRAY PACKAGING.

TEMPERATURE RANGE:  
-40°C TO +85°C



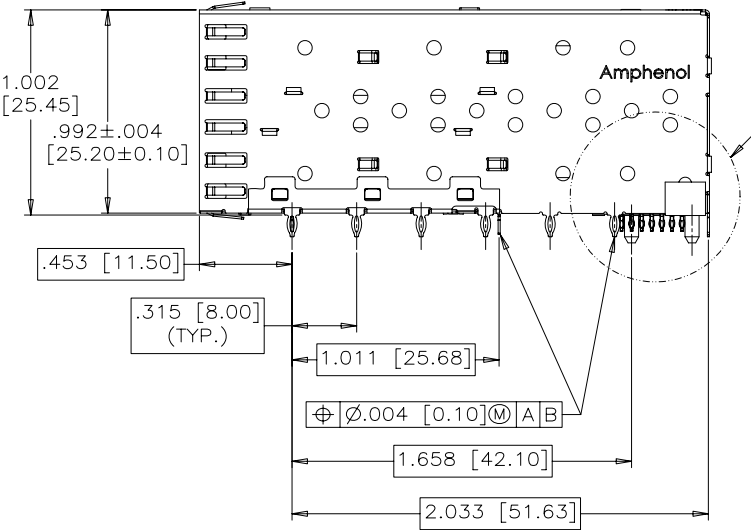
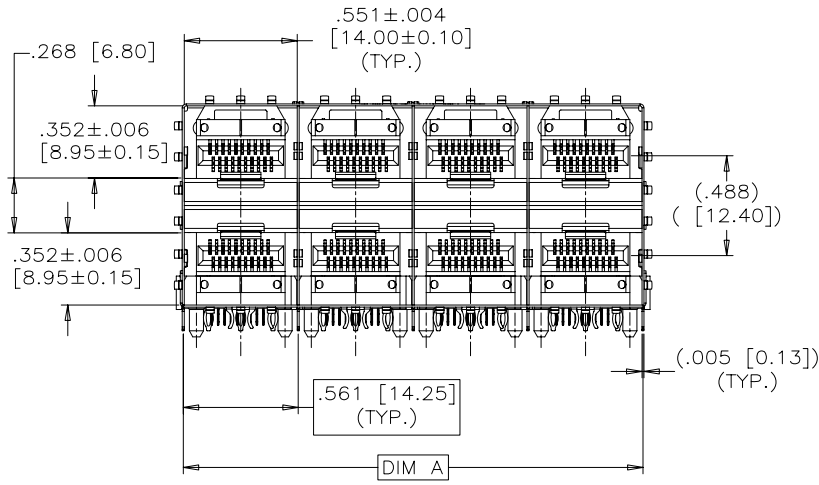
DRAWN	J.SI	DATE	2005/09/23
DESIGNED	J.SI	DATE	2005/09/23
CHECKED	X		
DWG. APPRD.			
ENG. REL. NO.			
REF.	X		
DIMENSIONS ARE IN	CODE ID. NO.		
INCHES [mm]	03554		

Amphenol Canada Corp.		
TITLE SFP 2XN STACKED COMBO WITH PRESS FIT PINS (CONNECTOR AND CAGE)		
DWG	DRAWING NO.	REV.
A	P-U78-BX126-00XX1	D
SCALE	WT.	SURF.
2:1		
SHEET 1 OF 5		

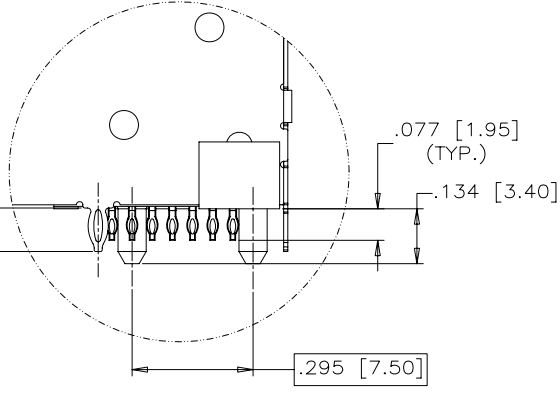
THIS DOCUMENT CONTAINS PROPRIETARY INFORMATION AND SUCH INFORMATION MAY NOT BE DISCLOSED TO OTHERS FOR ANY PURPOSE OR USED FOR MANUFACTURING PURPOSES WITHOUT WRITTEN PERMISSION FROM AMPHENOL CANADA CORP.

REVISIONS				
SYM	ZONE	ECN, ERN NO.	DATE	APPRD.
A		PROPOSAL	2005/09/23	
C		PIN # ADDED ON MATING AREA	2006/05/31	
D		UPDATED	NOV05/08	

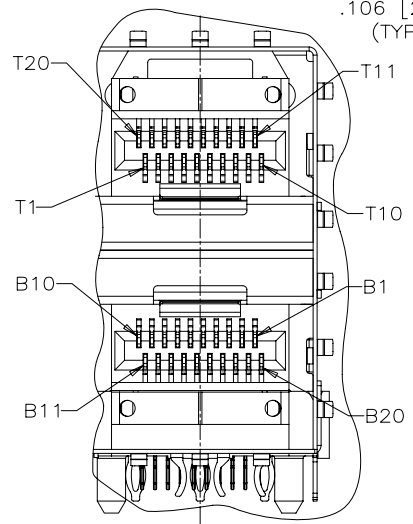
THIS IS A CAD DRAWING. DO NOT MANUALLY REVISE.



(P-U78-B4126-00XX1 SHOWN)

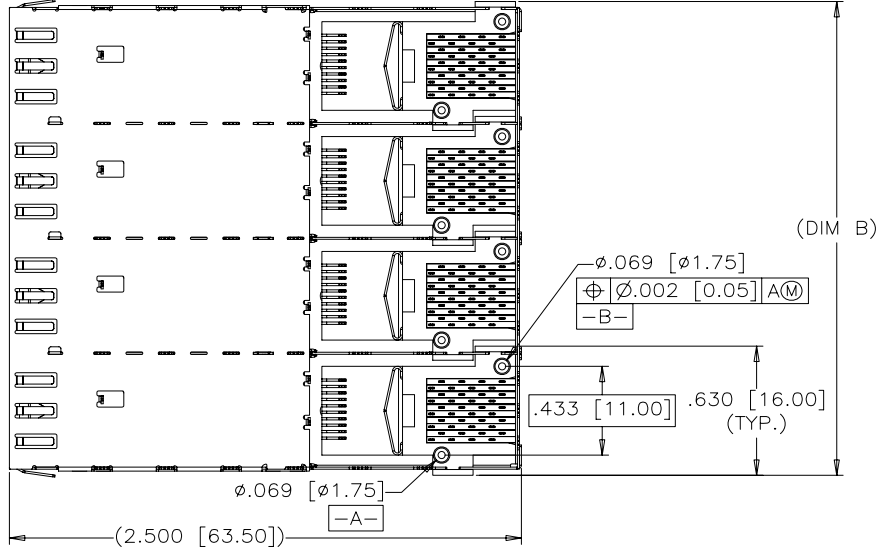


DETAIL 'A'  
SCALE 2:1



TYPICAL PIN ASSIGNMENT  
ON MATING AREA

PART NUMBER	DIM A	DIM B
P-U78-B2126-00XX1	1.122 [28.50]	1.191 [30.25]
P-U78-B4126-00XX1	2.244 [57.00]	2.313 [58.75]
P-U78-B5126-00XX1	2.805 [71.25]	2.874 [73.00]
P-U78-B6126-00XX1	3.366 [85.50]	3.435 [87.25]



(P-U78-B4126-00XX1 SHOWN)

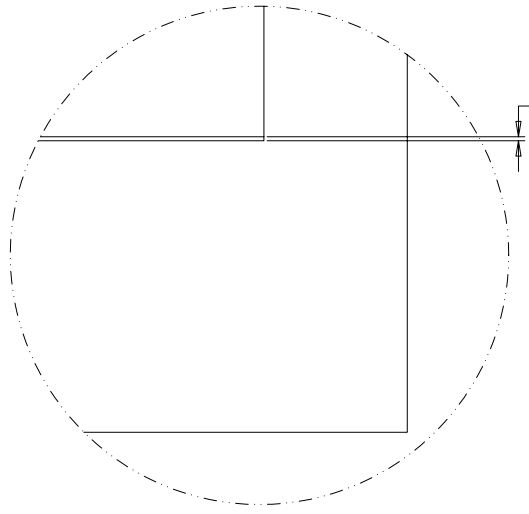
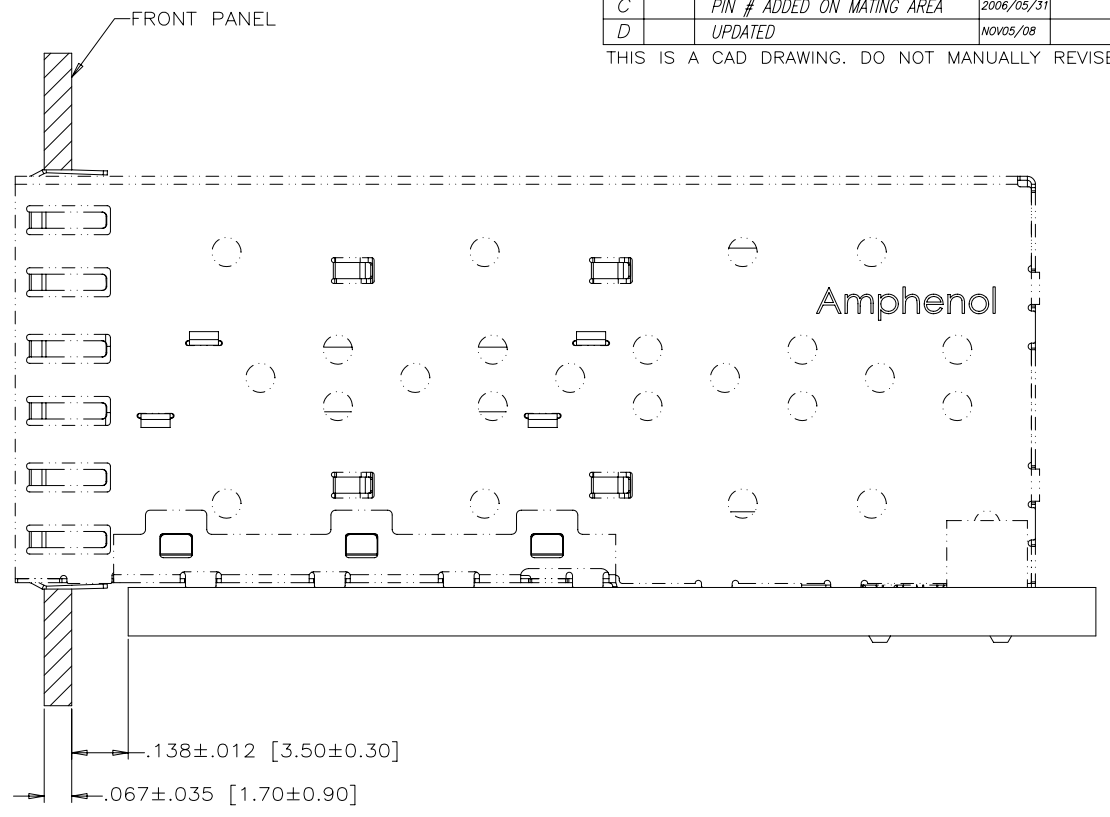
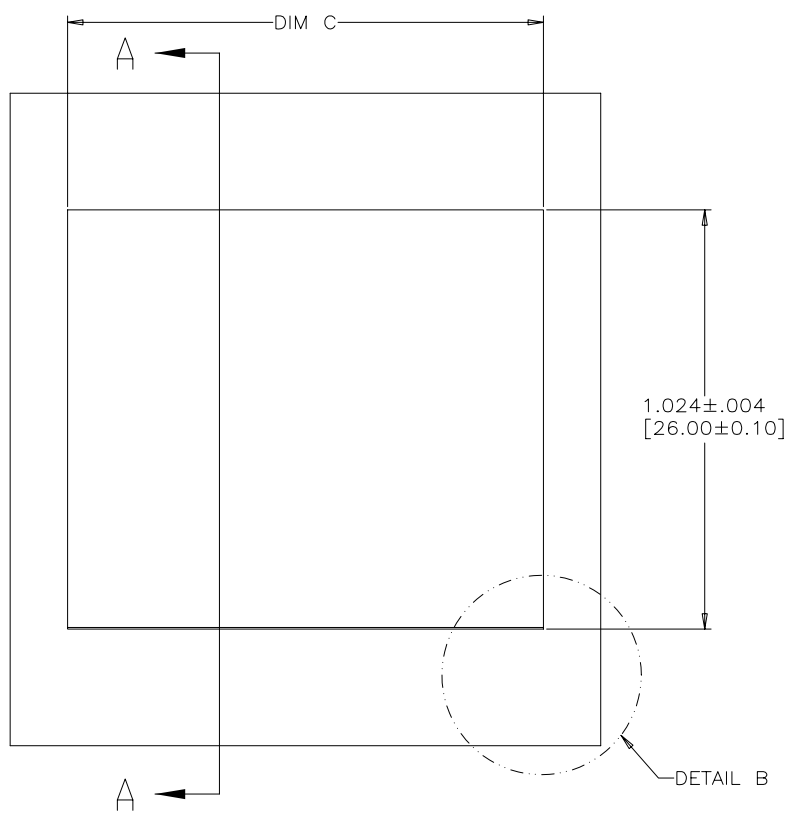
DRAWN	J.SI	DATE	2005/09/23
DESIGNED	J.SI	DATE	2005/09/23
CHECKED	X		
DWG. APPRD.			
ENG. REL. NO.			
REF.	X		
DIMENSIONS ARE IN	INCHES [mm]	CODE ID. NO.	03554

Amphenol Canada Corp.		
TITLE SFP 2XN STACKED COMBO WITH PRESS FIT PINS (CONNECTOR AND CAGE)		
DWG	DRAWING NO.	REV.
A	P-U78-BXN126-00XX1	D
SCALE	1:1	WT. _____ SURF. _____ SHEET 2 OF 5

THIS DOCUMENT CONTAINS PROPRIETARY INFORMATION AND SUCH INFORMATION MAY NOT BE DISCLOSED TO OTHERS FOR ANY PURPOSE OR USED FOR MANUFACTURING PURPOSES WITHOUT WRITTEN PERMISSION FROM AMPHENOL CANADA CORP.

REVISIONS				
SYM	ZONE	ECN, ERN NO.	DATE	APPRD.
A		PROPOSAL	2005/09/23	
C		PIN # ADDED ON MATING AREA	2006/05/31	
D		UPDATED	NOV05/08	

THIS IS A CAD DRAWING. DO NOT MANUALLY REVISE.



$.004 \pm .003$  [ $0.10 \pm 0.08$ ]  
(TOP OF PCB ABOVE  
PANEL CUT OUT)

PART NUMBER	DIM C
P-U78-B2126-00XX1	1.161 [29.50]
P-U78-B4126-00XX1	2.283 [58.00]
P-U78-B5126-00XX1	2.844 [72.25]
P-U78-B6126-00XX1	3.406 [86.50]



DETAIL B (SCALE 5:1)

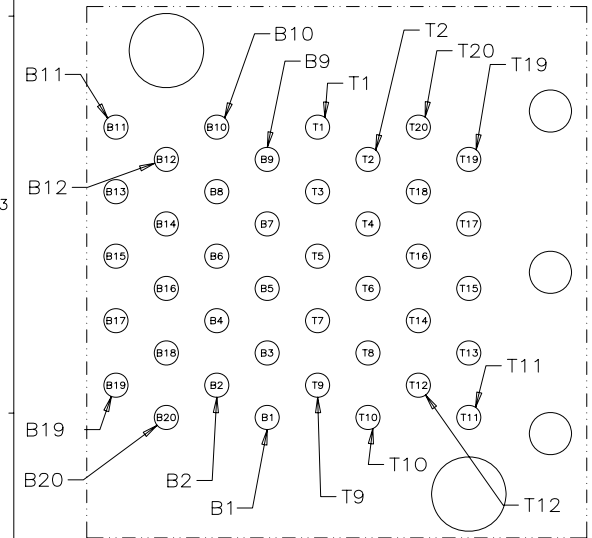
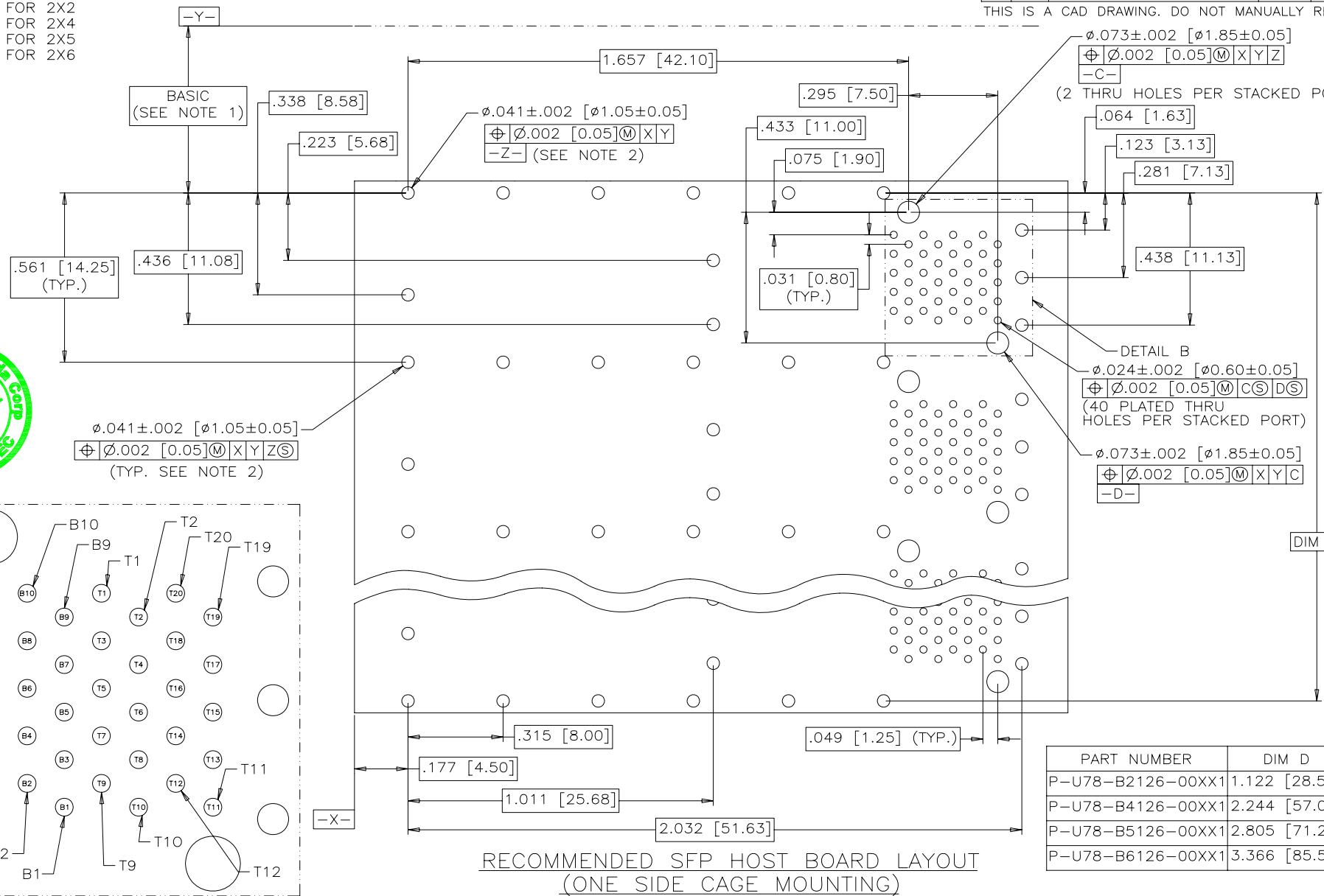
THIS DOCUMENT CONTAINS PROPRIETARY INFORMATION AND SUCH INFORMATION MAY NOT BE DISCLOSED TO OTHERS FOR ANY PURPOSE OR USED FOR MANUFACTURING PURPOSES WITHOUT WRITTEN PERMISSION FROM AMPHENOL CANADA CORP.

DRAWN	J.SI	DATE	2005/09/23	Amphenol Canada Corp.
DESIGNED	J.SI	DATE	2005/09/23	
CHECKED	X			
DWG. APPRD.				TITLE
ENG. REL. NO.				SFP 2XN STACKED COMBO WITH PRESS FIT PINS (CONNECTOR AND CAGE)
REF.	X	DWG.	A	DRAWING NO.
DIMENSIONS ARE IN INCHES [mm]		CODE ID. NO.	03554	P-U78-BX126-00XX1
SCALE		2:1	WT.	REV.
SURF.				D
SHEET			3	OF
5				

- NOTES:  
 1. DATUM AND BASIC DIMENSIONS ESTABLISHED BY CUSTOMER  
 2. HOLES ARE CHASSIS GROUND.  
 30 PLACES FOR 2X2  
 54 PLACES FOR 2X4  
 66 PLACES FOR 2X5  
 78 PLACES FOR 2X6

REVISIONS				
SYM	ZONE	ECN, ERN NO.	DATE	APPRD.
C		PIN # ADDED ON MATING AREA	2006/05/31	
D		UPDATED	NOV05/08	

THIS IS A CAD DRAWING. DO NOT MANUALLY REVISE.



PART NUMBER	DIM D
P-U78-B2126-00XX1	1.122 [28.50]
P-U78-B4126-00XX1	2.244 [57.00]
P-U78-B5126-00XX1	2.805 [71.25]
P-U78-B6126-00XX1	3.366 [85.50]

RECOMMENDED SFP HOST BOARD LAYOUT  
 (ONE SIDE CAGE MOUNTING)

DETAIL B (SCALE 5:1)  
 (TYP FOR EACH PORT)

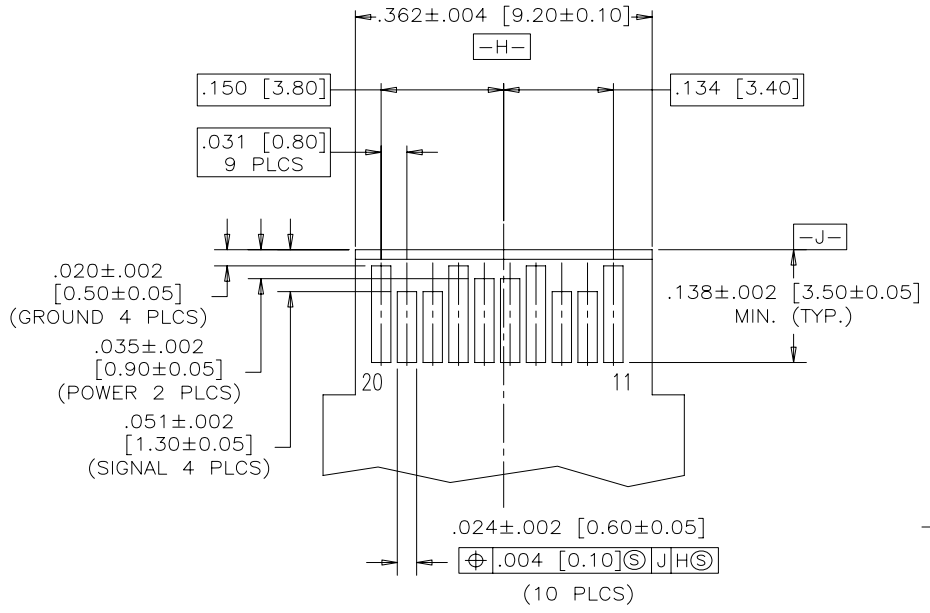
DRAWN	J.SI	DATE	2005/09/23
DESIGNED	J.SI	DATE	2005/09/23
CHECKED	X		
DWG. APPRD.			
ENG. REL. NO.			
REF.	X		
DIMENSIONS ARE IN	CODE ID. NO.		
INCHES [mm]	03554		

Amphenol Canada Corp.		
TITLE SFP 2XN STACKED COMBO WITH PRESS FIT PINS (CONNECTOR AND CAGE)		
DWG	DRAWING NO.	REV.
A	P-U78-BX126-00XX1	D
SCALE	WT.	SURF.
2:1		
SHEET 4 OF 5		

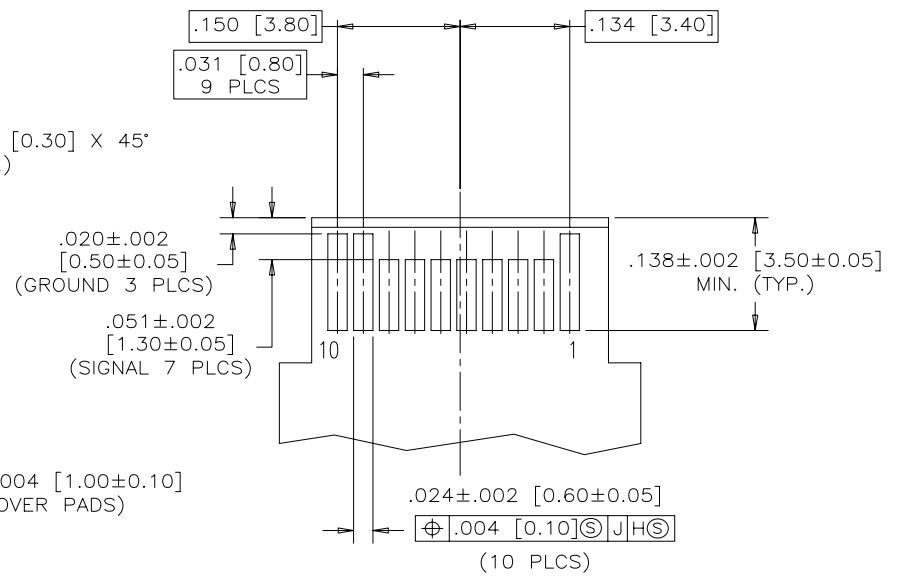
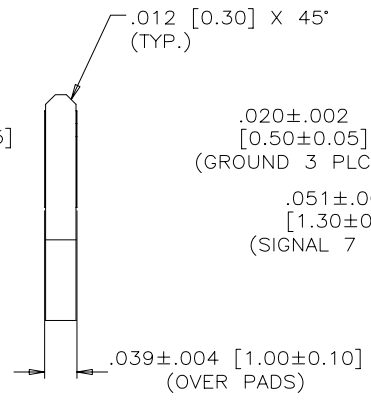
THIS DOCUMENT CONTAINS PROPRIETARY INFORMATION AND SUCH INFORMATION MAY NOT BE DISCLOSED TO OTHERS FOR ANY PURPOSE OR USED FOR MANUFACTURING PURPOSES WITHOUT WRITTEN PERMISSION FROM AMPHENOL CANADA CORP.

REVISIONS				
SYM	ZONE	ECN, ERN NO.	DATE	APPRD.
A		PROPOSAL	2005/09/23	
C		PIN # ADDED ON MATING AREA	2006/05/31	
D		UPDATED	NOV05/08	

THIS IS A CAD DRAWING. DO NOT MANUALLY REVISE.



TOP VIEW OF BOARD



BOTTOM VIEW OF BOARD

REFERENCED LAYOUT DETAIL FOR  
MATING SFP TRANSCEIVER PCB



THIS DOCUMENT CONTAINS PROPRIETARY INFORMATION AND SUCH INFORMATION MAY NOT BE DISCLOSED TO OTHERS FOR ANY PURPOSE OR USED FOR MANUFACTURING PURPOSES WITHOUT WRITTEN PERMISSION FROM AMPHENOL CANADA CORP.

DRAWN	J.SI	DATE	2005/09/23	Amphenol Canada Corp.	
DESIGNED	J.SI	DATE	2005/09/23		
CHECKED	X				
DWG. APPRD.					
ENG. REL. NO.		DWG	A	DRAWING NO.	P-U78-BX126-00XX1
REF.	X			REV.	D
DIMENSIONS ARE IN		CODE ID. NO.	03554	SCALE	2:1
INCHES [mm]				WT.	-----
				SURF.	-----
				SHEET	5 OF 5

## Данный компонент на территории Российской Федерации

### Вы можете приобрести в компании MosChip.

Для оперативного оформления запроса Вам необходимо перейти по данной ссылке:

<http://moschip.ru/get-element>

Вы можете разместить у нас заказ для любого Вашего проекта, будь то серийное производство или разработка единичного прибора.

В нашем ассортименте представлены ведущие мировые производители активных и пассивных электронных компонентов.

Нашей специализацией является поставка электронной компонентной базы двойного назначения, продукции таких производителей как XILINX, Intel (ex.ALTERA), Vicor, Microchip, Texas Instruments, Analog Devices, Mini-Circuits, Amphenol, Glenair.

Сотрудничество с глобальными дистрибьюторами электронных компонентов, предоставляет возможность заказывать и получать с международных складов практически любой перечень компонентов в оптимальные для Вас сроки.

На всех этапах разработки и производства наши партнеры могут получить квалифицированную поддержку опытных инженеров.

Система менеджмента качества компании отвечает требованиям в соответствии с ГОСТ Р ИСО 9001, ГОСТ РВ 0015-002 и ЭС РД 009

### Офис по работе с юридическими лицами:

105318, г.Москва, ул.Щербаковская д.3, офис 1107, 1118, ДЦ «Щербаковский»

Телефон: +7 495 668-12-70 (многоканальный)

Факс: +7 495 668-12-70 (доб.304)

E-mail: [info@moschip.ru](mailto:info@moschip.ru)

Skype отдела продаж:

moschip.ru

moschip.ru\_4

moschip.ru\_6

moschip.ru\_9