


Helping Customers Innovate, Improve & Grow



Description

The VX-805 is a Voltage Control Crystal Oscillator that operates at the fundamental frequency of the internal crystal. The crystal is a high-Q quartz device that enables the circuit to achieve low phase noise jitter performance over a wide operating temperature range. The VX-805 is housed in an industry standard hermetically sealed LCC package and is available in tape and reel.

Features

- LVPECL output VCXO
- Output Frequencies from 100 MHz to 204.8 MHz
- 3.3 V Operation
- Fundamental Crystal Design with Low Jitter Performance
- Output Disable Feature
- Excellent ± 20 ppm Temperature Stability,
- 0/70°C, -40/85°C or -40/105°C Operating Temperature
- Small Industry Standard 5.0 x 3.2mm Package
- Product is free of lead and compliant to EC RoHS Directive 

Applications

- LTE
- SONET/SDH/DWDM
- Ethernet, SyncE, GE
- xDSL, PCMIA
- Digital Video
- Broadband Access
- Base Stations, Picocells
- Test and Measurement

Block Diagram

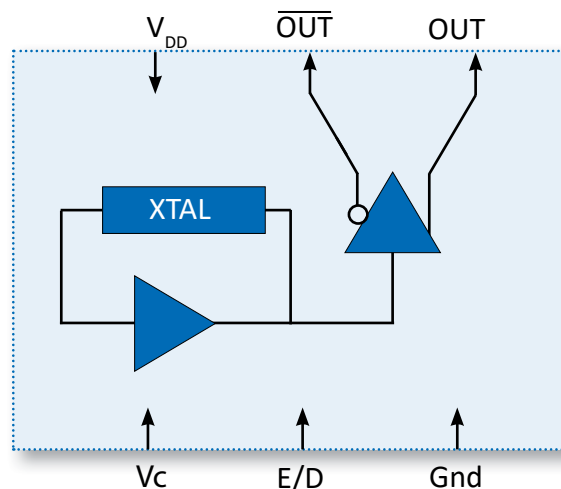


Figure 1. Block Diagram

Performance Specifications

Table 1. Electrical Performance - 3.3V LVPECL

Parameter	Symbol	Min	Typical	Max	Units
Supply					
Voltage ¹	V_{DD}	3.135	3.3	3.465	V
Current ²	I_{DD}		50	90	mA
Frequency					
Nominal Frequency	f_N	100		204.8	MHz
Absolute Pull Range ^{2,6} , <i>ordering option</i>	APR	±50			ppm
Linearity ²	Lin		5		%
Gain Transfer ²	K_V	+80			ppm/V
Temperature Stability ³	f_{STAB}		±20		ppm
Outputs					
Output Logic Levels ²					
Output Logic High	V_{OH}	$V_{DD}-1.025$	$V_{DD}-0.950$	$V_{DD}-0.880$	V
Output Logic Low	V_{OL}	$V_{DD}-1.810$	$V_{DD}-1.700$	$V_{DD}-1.620$	V
Rise Time ^{2,4}	t_R		0.3	0.5	ns
Fall Time ^{2,4}	t_F		0.3	0.5	ns
Symmetry ²	SYM	45	50	55	%
Symmetry ² (-40 °C to 105 °C)		40	50	60	%
Jitter, RMS ^{5,7} (12kHz to 20 MHz)	ϕ_J		0.2	0.5	ps
Phase Noise ⁷ , 122.88MHz					dBc/Hz
10Hz			-68		
100Hz			-98		
1kHz			-125		
10kHz			-148		
100kHz			-157		
1MHz			-157		
10MHz			-157		
Control Voltage					
Control Voltage Range for Pull Range	V_C	0.3		3.0	V
Control Voltage Input Impedance	Z_{IN}	10			MΩ
Control Voltage Modulation BW	BW	20			kHz
Output Enable/Disable ⁸					V
Output Enabled, Option A	V_{IH}	0.9* V_{DD}			
Output Disabled, Option A	V_{IL}			0.1* V_{DD}	
Start-Up Time	T_S			10	ms
Operating Temp, <i>Ordering Option</i>	T_{OP}	0/70 or -40/85 or -40/105			°C
Package Size		5.0 x 3.2 x 1.2			mm

1] The power supply should have by-pass capacitors as close to the supply and to ground as possible, for examples 0.1 and 0.01uF

2] Parameters are tested with production test circuit below as shown in Figure 2.

3] ±20ppm temperature stability is not available for -40 °C to 105 °C temperature range

4] Measured from 20% to 80% of a full output swing as shown in Figure 4.

5] Not tested in production, guaranteed by design, verified at qualification.

6] Tested with $V_C = 0V$ to 3.3V unless otherwise stated in part description

7] Phase Noise is measured with an Agilent E5052A Signal Source Analyzer.

8] The Output is Enabled if the Enable/Disable is left open.

Test Circuit

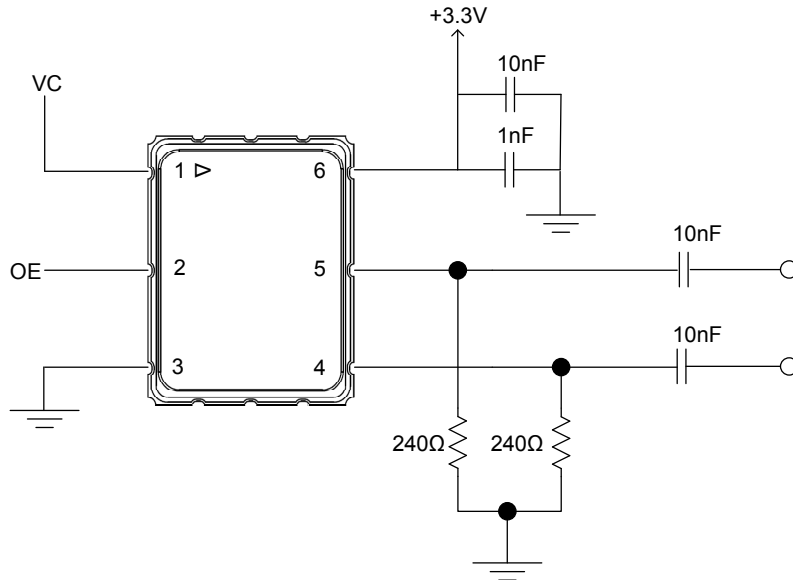


Figure 2. LVPECL Test Circuit

Waveform

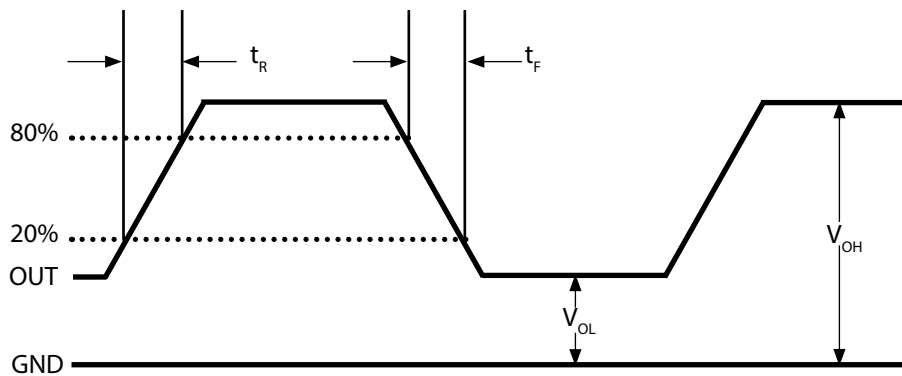


Figure 3. Output Waveform

Table 2. Absolute Maximum Ratings

Parameter	Symbol	Ratings	Unit
Power Supply	V_{DD}	0 to 6	V
Voltage Control Range	V_C	0 to V_{DD}	V
Storage Temperature	T_S	-55 to 125	°C
Soldering Temp/Time	T_{LS}	260 / 20	°C / sec

Stresses in excess of the absolute maximum ratings can permanently damage the device. Functional operation is not implied at these or any other conditions in excess of conditions represented in the operational sections of this datasheet. Exposure to absolute maximum ratings for extended periods may adversely affect device reliability. Permanent damage is also possible if OD or Vc is applied before V_{DD} .

Reliability

Vectron qualification includes aging at various extreme temperatures, shock and vibration, temperature cycling, and IR reflow simulation. The VX-805 family is capable of meeting the following qualification tests:

Table 3. Environmental Compliance	
Parameter	Conditions
Mechanical Shock	MIL-STD-883, Method 2002
Mechanical Vibration	MIL-STD-883, Method 2007
Solderability	MIL-STD-883, Method 2003
Gross and Fine Leak	MIL-STD-883, Method 1014
Resistance to Solvents	MIL-STD-883, Method 2015
Moisture Sensitivity Level	MSL 1
Contact Pads	Gold (0.3 um min to 1.0um max) over Nickel
Weight	57 mg

Handling Precautions

Although ESD protection circuitry has been designed into the VX-805 proper precautions should be taken when handling and mounting. Vectron employs a human body model (HBM) and a charged device model (CDM) for ESD susceptibility testing and design protection evaluation.

Table 4. ESD Ratings		
Model	Minimum	Conditions
Human Body Model	500V	MIL-STD-883, Method 3015
Charged Device Model	500V	JESD22-C101

Table 5. Reflow Profile		
Parameter	Symbol	Value
PreHeat Time	t_s	60 sec Min, 260 sec Max
Ramp Up	R_{UP}	3 °C/sec Max
Time Above 217 °C	t_L	60 sec Min, 150 sec Max
Time To Peak Temperature	T_{AMB-P}	480 sec Max
Time at 260 °C	t_p	30 sec Max
Ramp Down	R_{DN}	6 °C/sec Max

Solderprofile:

The device is qualified to meet the JEDEC standard for Pb-Free assembly. The temperatures and time intervals listed are based on the Pb-Free small body requirements. The VX-805 device is hermetically sealed so an aqueous wash is not an issue.

Termination Plating:
Electroless Gold Plate over Nickel Plate

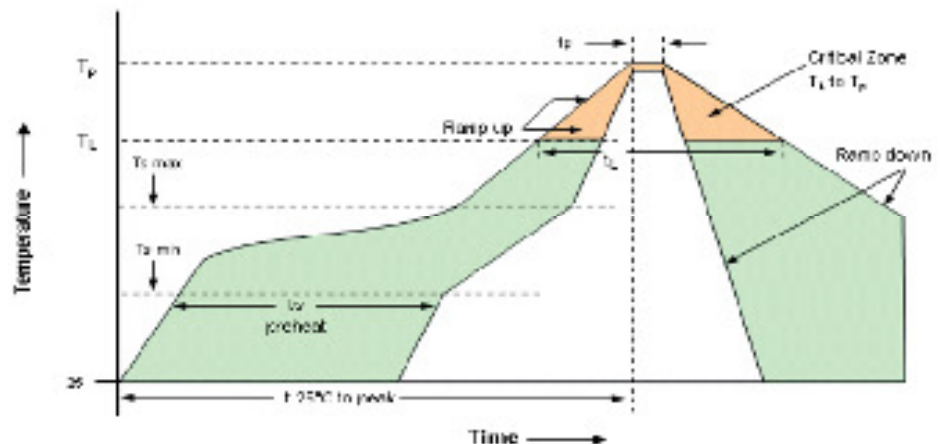


Figure 4. Recommended Reflow Profile

Outline Drawing & Pad Layout

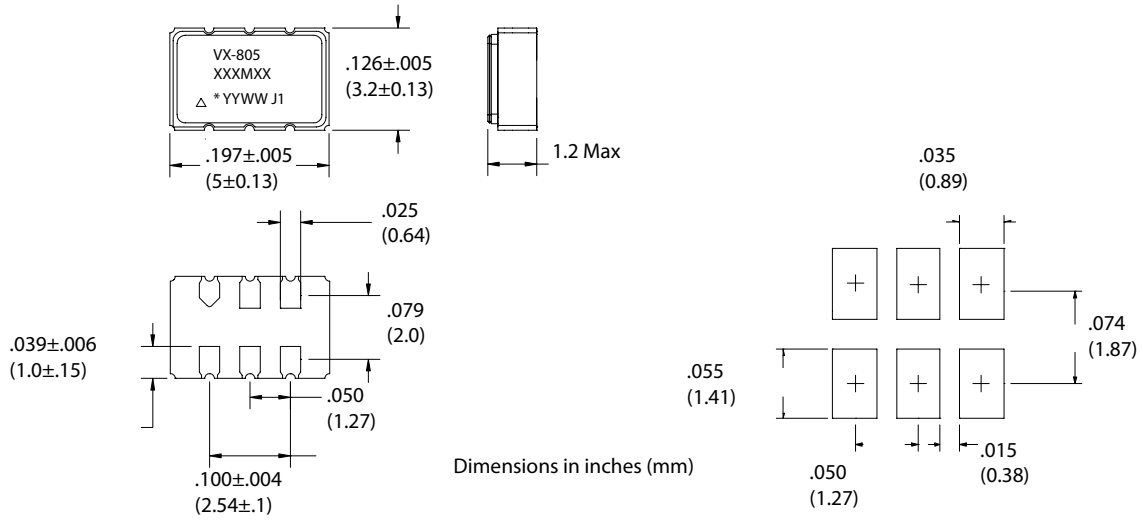


Figure 5. Outline Drawing and Pad Layout

Table 6. Pin Out		
Pin	Symbol	Function
1	V_C	VCXO Control Voltage
2	E/D	Enable Disable **See Ordering Options**
3	GND	Case and Electrical Ground
4	Output	Output
5	COutput	Complementary Output
6	V_{DD}	Power Supply Voltage

Tape & Reel (EIA-481-2-A)

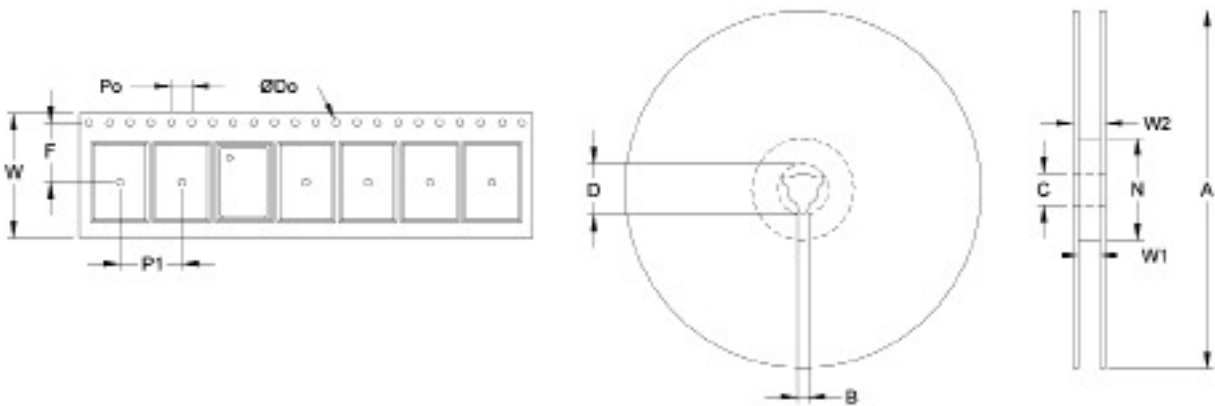
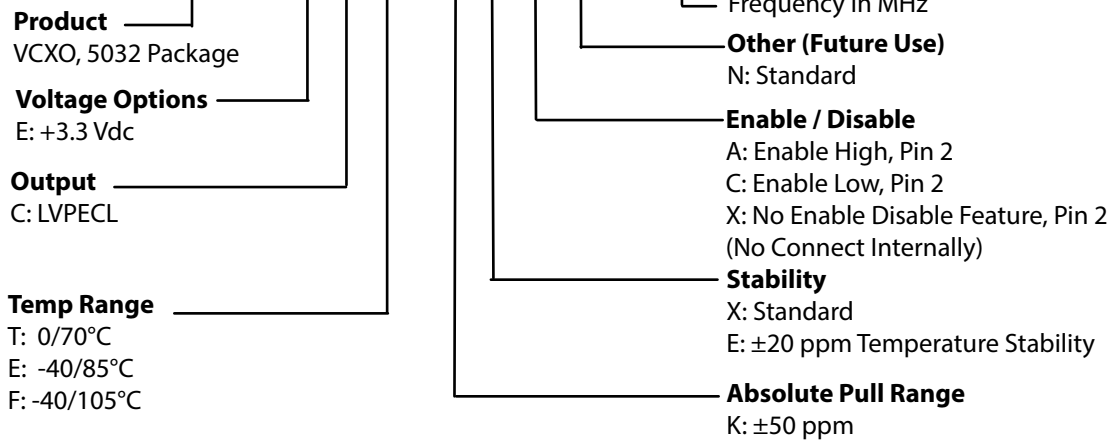


Figure 6. Tape and Reel Drawing

Table 7. Tape and Reel Information													
Tape Dimensions (mm)						Reel Dimensions (mm)							
Dimension	W	F	Do	Po	P1	A	B	C	D	N	W1	W2	# Per Reel
Tolerance	Typ	Typ	Typ	Typ	Typ	Typ	Min	Typ	Min	Min	Typ	Max	
VX-805	16	5.5	1.5	4	8	178	1.78	13	20.6	55	12.4	22.4	500/1000

Ordering Information

VX-805- E C T - K X A N- 122M880000



Example: VX-805-ECT-KXAN-122M880000

**Note: not all combination of options are available. Other specifications may be available upon request. Please consult with factory.*

* Add **_SNPB** for tin lead solder dip
Example: VX-805-ECT-KXAN-122M880000_**SNPB**

Revision History

Revision Date	Approved	Description
January 17, 2017	RC	Update Reflow Profile
February 3, 2016	RC	Update Figure 3.
January 21, 2015	VN	Included Extended temperature Range of -40/105°C. Added revision history table.
May 28, 2015	VN	Changed maximum nominal output frequency from 250MHz to 204.8MHz
August 10, 2018	FB	Updated logo and contact information, added "SNPBDIP" ordering option
April 15, 2019	FB	Updated logo and contact information, change SNPBDIP to SNPB

Contact Information

USA:

100 Watts Street
Mt Holly Springs, PA 17065
Tel: 1.717.486.3411
Fax: 1.717.486.5920

Europe:

Landstrasse
74924 Neckarbischofsheim
Germany
Tel: +49 (0) 7268.801.0
Fax: +49 (0) 7268.801.281



Information contained in this publication regarding device applications and the like is provided only for your convenience and may be superseded by updates. It is your responsibility to ensure that your application meets with your specifications. MICROCHIP MAKES NO REPRESENTATION OR WARRANTIES OF ANY KIND WHETHER EXPRESS OR IMPLIED, WRITTEN OR ORAL, STATUTORY OR OTHERWISE, RELATED TO THE INFORMATION INCLUDING, BUT NOT LIMITED TO ITS CONDITION, QUALITY, PERFORMANCE, MERCHANTABILITY OR FITNESS FOR PURPOSE. Microchip disclaims all liability arising from this information and its use. Use of Microchip devices in life support and/or safety applications is entirely at the buyer's risk, and the buyer agrees to defend, indemnify and hold harmless Microchip from any and all damages, claims, suits, or expenses resulting from such use. No licenses are conveyed, implicitly, or otherwise, under any Microchip intellectual property rights unless otherwise stated.

Trademarks

The Microchip and Vectron names and logos are registered trademarks of Microchip Technology Incorporated in the U.S.A. and other countries.

Данный компонент на территории Российской Федерации

Вы можете приобрести в компании MosChip.

Для оперативного оформления запроса Вам необходимо перейти по данной ссылке:

<http://moschip.ru/get-element>

Вы можете разместить у нас заказ для любого Вашего проекта, будь то серийное производство или разработка единичного прибора.

В нашем ассортименте представлены ведущие мировые производители активных и пассивных электронных компонентов.

Нашей специализацией является поставка электронной компонентной базы двойного назначения, продукции таких производителей как XILINX, Intel (ex.ALTERA), Vicor, Microchip, Texas Instruments, Analog Devices, Mini-Circuits, Amphenol, Glenair.

Сотрудничество с глобальными дистрибьюторами электронных компонентов, предоставляет возможность заказывать и получать с международных складов практически любой перечень компонентов в оптимальные для Вас сроки.

На всех этапах разработки и производства наши партнеры могут получить квалифицированную поддержку опытных инженеров.

Система менеджмента качества компании отвечает требованиям в соответствии с ГОСТ Р ИСО 9001, ГОСТ РВ 0015-002 и ЭС РД 009

Офис по работе с юридическими лицами:

105318, г.Москва, ул.Щербаковская д.3, офис 1107, 1118, ДЦ «Щербаковский»

Телефон: +7 495 668-12-70 (многоканальный)

Факс: +7 495 668-12-70 (доб.304)

E-mail: info@moschip.ru

Skype отдела продаж:

moschip.ru

moschip.ru_4

moschip.ru_6

moschip.ru_9