



## Features

- Long life carbon element
- Assortment of resistance tapers
- 60 and 100 mm travel lengths
- Touch sense lever
- PC terminals or snap-in connector option



## PSM Series Motorized Slide Potentiometer

### Electrical Characteristics

Standard Resistance Range  
 ..... 1K ohms to 1 megohm  
 Standard Resistance Tolerance... ±20 %  
 End Resistance ..... 20 ohms max.  
 Insulation Resistance @ 250 VDC  
 ..... 100 megohms min.  
 Dielectric Withstanding Voltage  
 ..... 250 VAC  
 Standard Taper ..... Linear, Audio  
 Power Rating - Linear ..... 0.5 watt  
 Power Rating - Audio ..... 0.25 watt  
 Slider Noise ..... 47 mV max.  
 Touch Sense Track  
 Conductive Resistance  
 Snap-in Connector..... 2 ohms max.  
 PC Terminal  
 TR > 30k ohms...0.1 % of TR max.  
 TR ≤ 30k ohms..... 30 ohms max.

### Environmental Characteristics

Operational Life ..... 100,000 cycles  
 TR Shift ..... ±15 %  
 Operating Temperature Range  
 ..... -10 °C to +55 °C  
 Resistance to Solder Heat..... ±5 %

### Mechanical Characteristics

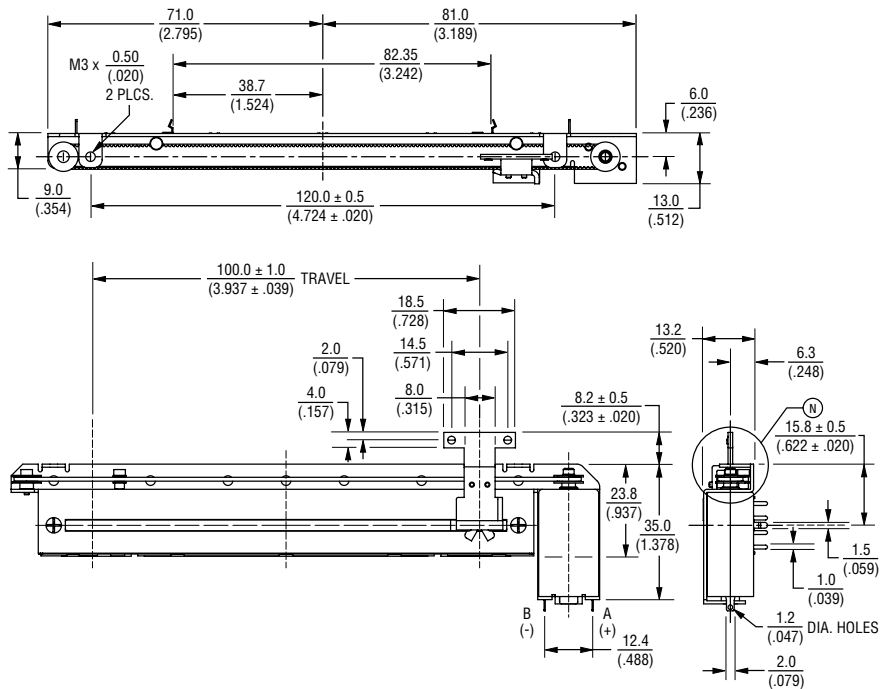
Mechanical Travel  
 ..... See Product Dimensions  
 Operating Force  
 100 mm Travel..... 30-130 gf  
 60 mm Travel..... 10-110 gf  
 Stop Strength ..... 5 kgf min.  
 Shaft Wobble  
 100 mm Travel..... 1.3 mm p-p max.  
 60 mm Travel..... 1.6 mm p-p max.  
 Soldering Condition  
 Manual ..... 350 °C ±5 °C for 3 sec.  
 Wave ..... 260 °C ±5 °C for 5 sec.  
 Wash ..... Not recommended

### Motor Drive Characteristics

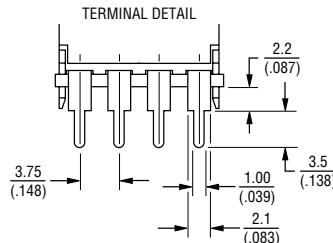
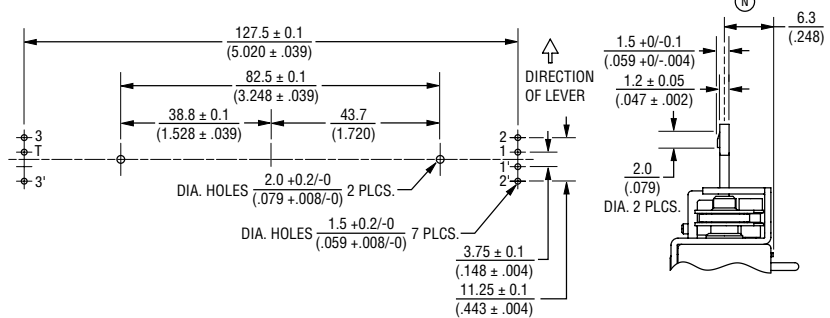
Rated Voltage ..... 10 VDC  
 Operating Voltage Supply .. 6 to 11 VDC  
 Starting Current ..... 800 mA max.  
 Lever Speed @ 10 VDC  
 ..... 20 mm/0.1 sec.

### Product Dimensions

#### PC Terminals - 100 mm Travel



#### Mounting Hole Detail



DIMENSIONS:  $\frac{\text{MM}}{\text{(INCHES)}}$

\*RoHS Directive 2002/95/EC Jan. 27, 2003 including annex and RoHS Recast 2011/65/EU June 8, 2011.

Specifications are subject to change without notice.

The device characteristics and parameters in this data sheet can and do vary in different applications and actual device performance may vary over time.

Users should verify actual device performance in their specific applications.

## Applications

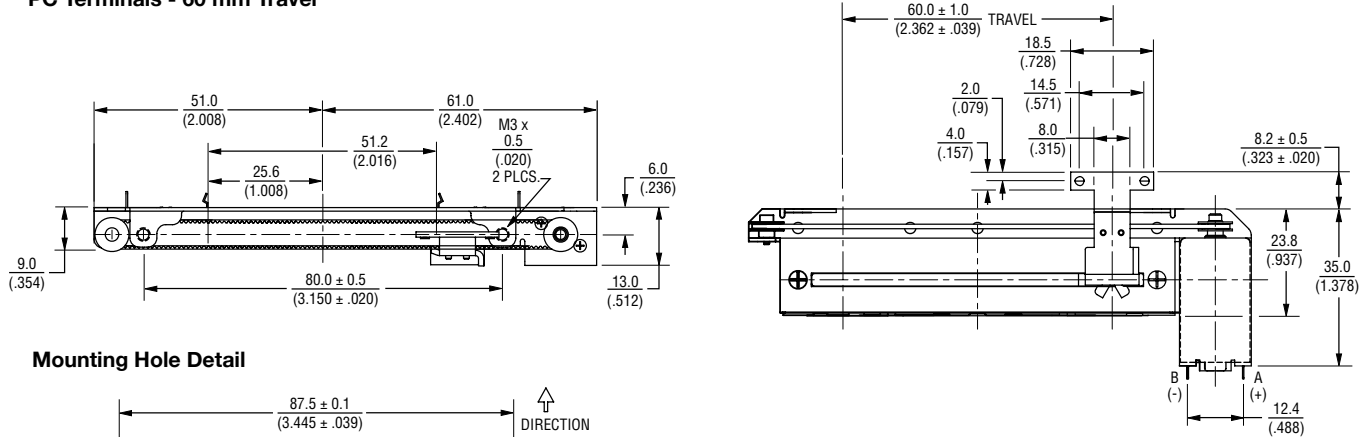
- Audio mixing consoles
- Broadcast mixing consoles

# PSM Series Motorized Slide Potentiometer

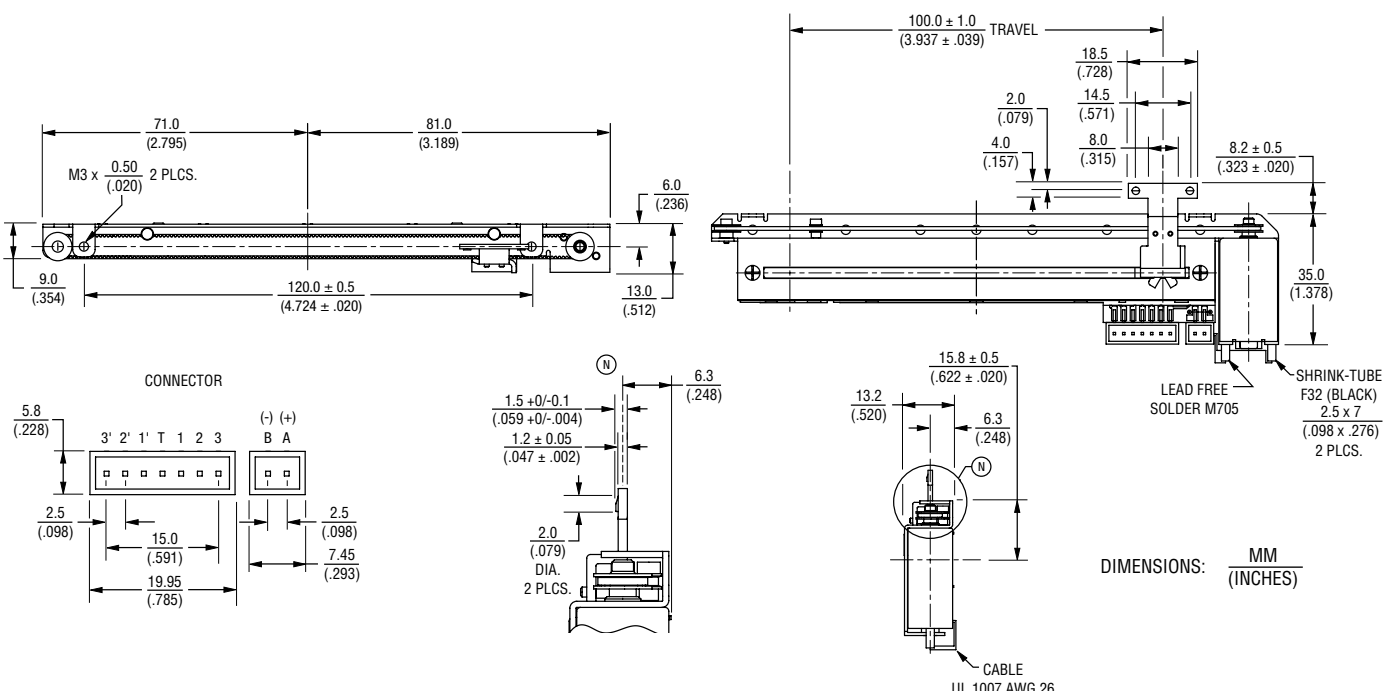
**BOURNS®**

## Product Dimensions

### PC Terminals - 60 mm Travel



### Snap-in Connector - 100 mm Travel



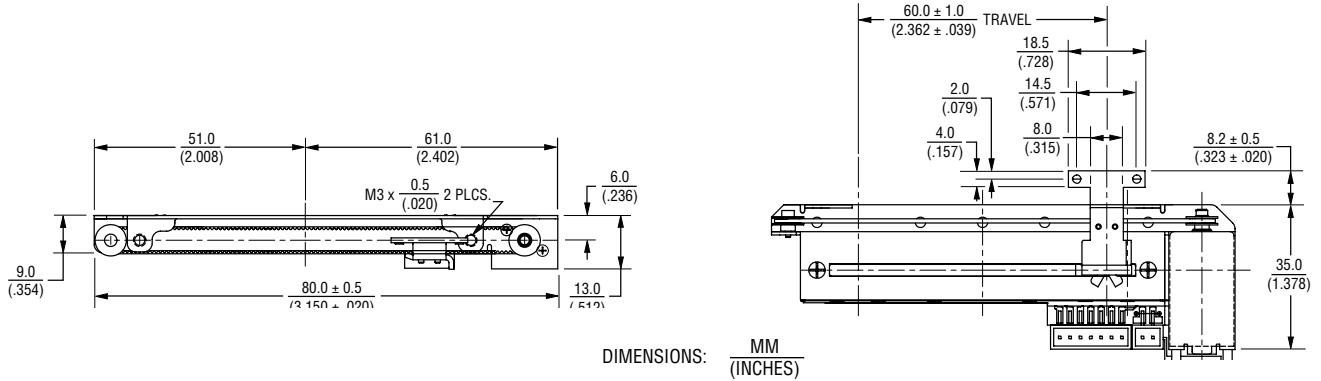
Specifications are subject to change without notice.  
The device characteristics and parameters in this data sheet can and do vary in different applications and actual device performance may vary over time.  
Users should verify actual device performance in their specific applications.

# PSM Series Motorized Slide Potentiometer

**BOURNS®**

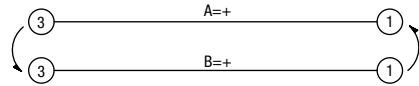
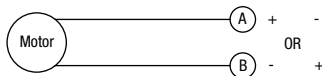
## Product Dimensions

### Snap-in Connector - 60 mm Travel



## Schematics

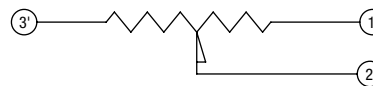
### Motor



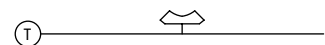
### Line Track (R1)



### Servo Track (R2)



### Touch Sense Track



## Standard Resistance Table

Resistance (Ohms)	Resistance Code
1,000	102
2,000	202
5,000	502
10,000	103
20,000	203
50,000	503
100,000	104
200,000	204
500,000	504
1,000,000	105

## How To Order

**PSM 01 - 08 2 A - 103 B2**

Model Number \_\_\_\_\_

Designator \_\_\_\_\_  
PSM = Motorized Slide Potentiometer

Length of Travel \_\_\_\_\_  
01 = 100 mm  
60 = 60 mm

Lever Length \_\_\_\_\_  
08 = 8.2 mm

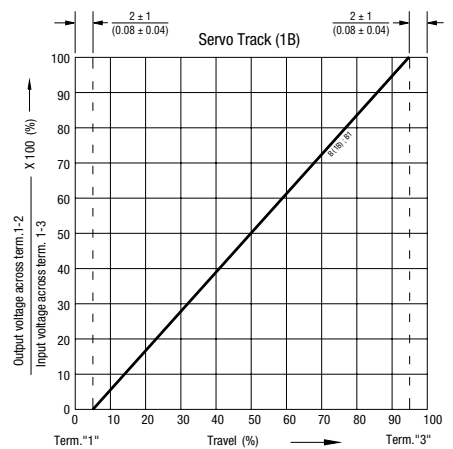
Terminal Type \_\_\_\_\_  
1 = PC Terminals  
2 = Snap-in Connector

Lever End Style \_\_\_\_\_  
A = Metal Lever (Refer to Drawing)

Resistance Code \_\_\_\_\_  
(See Standard Resistance Table)

Resistance Taper (See Taper Charts) \_\_\_\_\_  
Taper Series followed by Curve Number

## Servo Track Output Chart



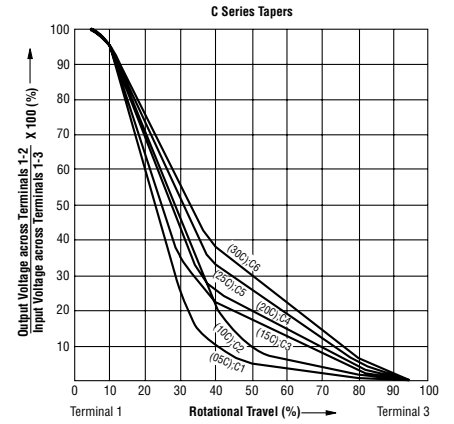
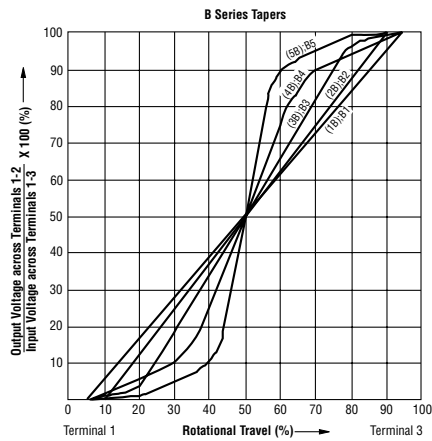
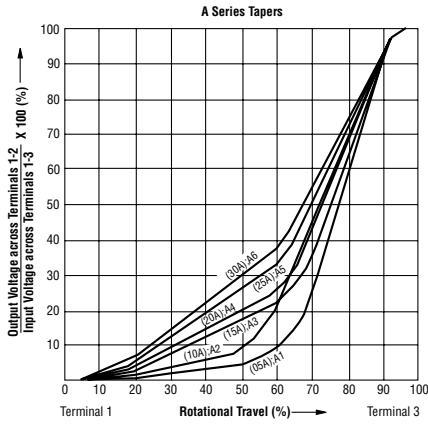
Specifications are subject to change without notice.

The device characteristics and parameters in this data sheet can and do vary in different applications and actual device performance may vary over time. Users should verify actual device performance in their specific applications.

# PSM Series Motorized Slide Potentiometer

**BOURNS®**

## Tapers



**BOURNS®**

Asia-Pacific: Tel: +886-2 2562-4117 • Fax: +886-2 2562-4116

EMEA: Tel: +36 88 520 390 • Fax: +36 88 520 211

The Americas: Tel: +1-951 781-5500 • Fax: +1-951 781-5700

[www.bourns.com](http://www.bourns.com)

REV. 01/16

Specifications are subject to change without notice.  
The device characteristics and parameters in this data sheet can and do vary in different applications and actual device performance may vary over time.  
Users should verify actual device performance in their specific applications.

## Данный компонент на территории Российской Федерации

### Вы можете приобрести в компании MosChip.

Для оперативного оформления запроса Вам необходимо перейти по данной ссылке:

<http://moschip.ru/get-element>

Вы можете разместить у нас заказ для любого Вашего проекта, будь то серийное производство или разработка единичного прибора.

В нашем ассортименте представлены ведущие мировые производители активных и пассивных электронных компонентов.

Нашей специализацией является поставка электронной компонентной базы двойного назначения, продукции таких производителей как XILINX, Intel (ex.ALTERA), Vicor, Microchip, Texas Instruments, Analog Devices, Mini-Circuits, Amphenol, Glenair.

Сотрудничество с глобальными дистрибьюторами электронных компонентов, предоставляет возможность заказывать и получать с международных складов практически любой перечень компонентов в оптимальные для Вас сроки.

На всех этапах разработки и производства наши партнеры могут получить квалифицированную поддержку опытных инженеров.

Система менеджмента качества компании отвечает требованиям в соответствии с ГОСТ Р ИСО 9001, ГОСТ РВ 0015-002 и ЭС РД 009

### Офис по работе с юридическими лицами:

105318, г.Москва, ул.Щербаковская д.3, офис 1107, 1118, ДЦ «Щербаковский»

Телефон: +7 495 668-12-70 (многоканальный)

Факс: +7 495 668-12-70 (доб.304)

E-mail: [info@moschip.ru](mailto:info@moschip.ru)

Skype отдела продаж:

moschip.ru

moschip.ru\_4

moschip.ru\_6

moschip.ru\_9