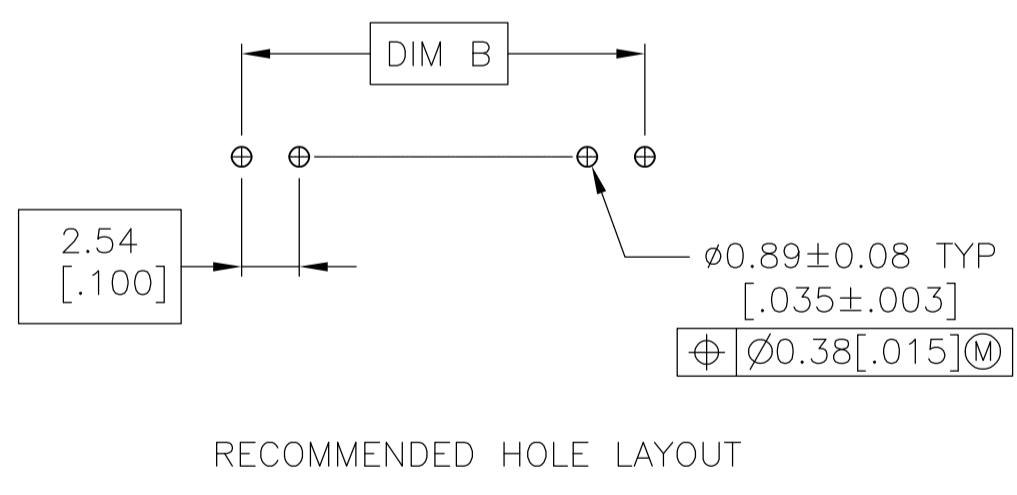
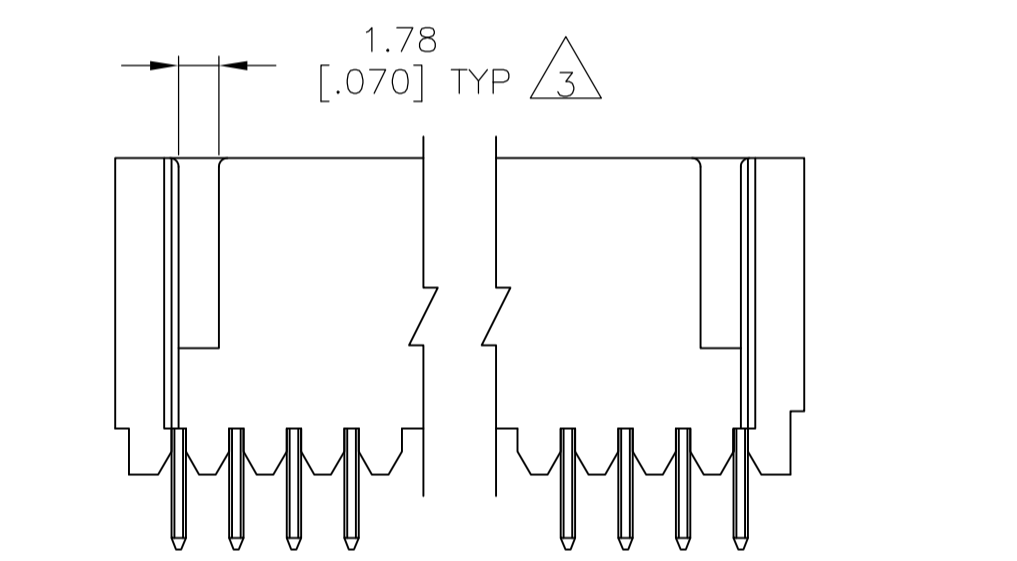
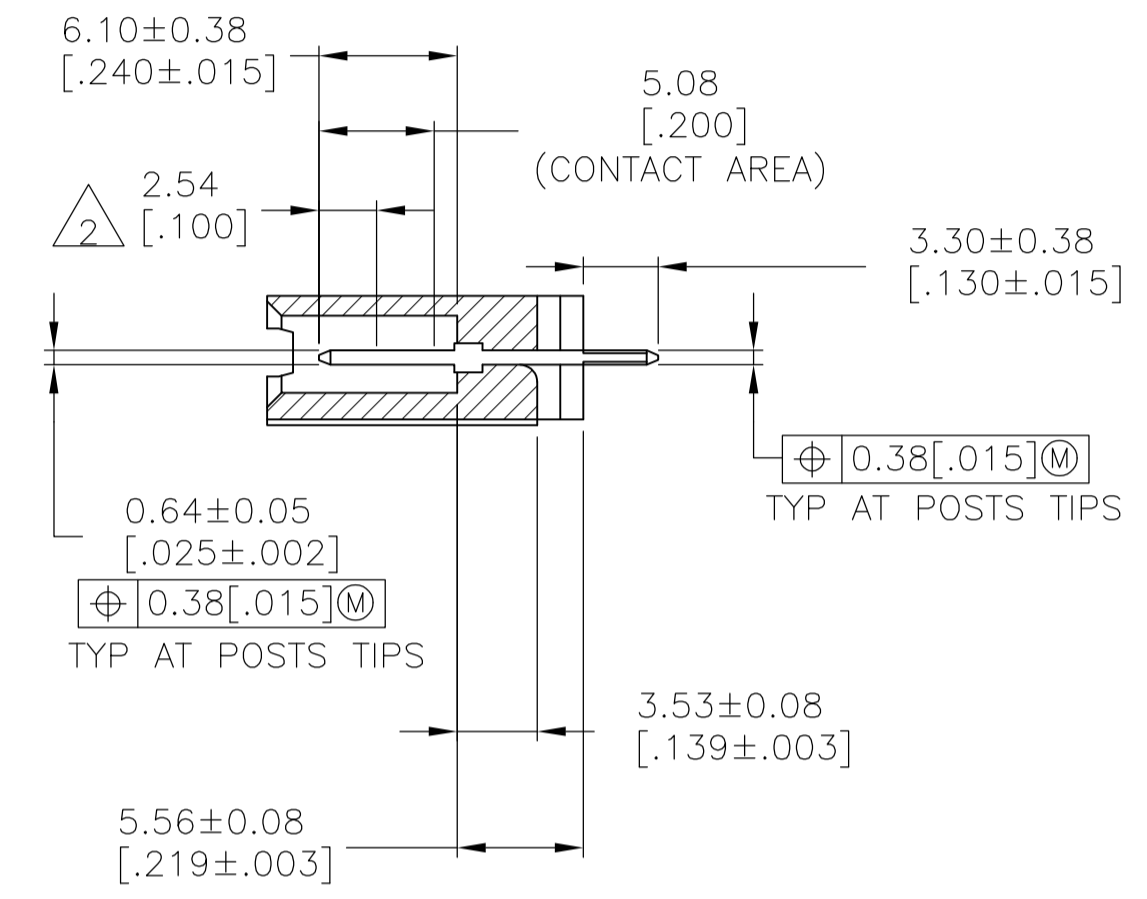
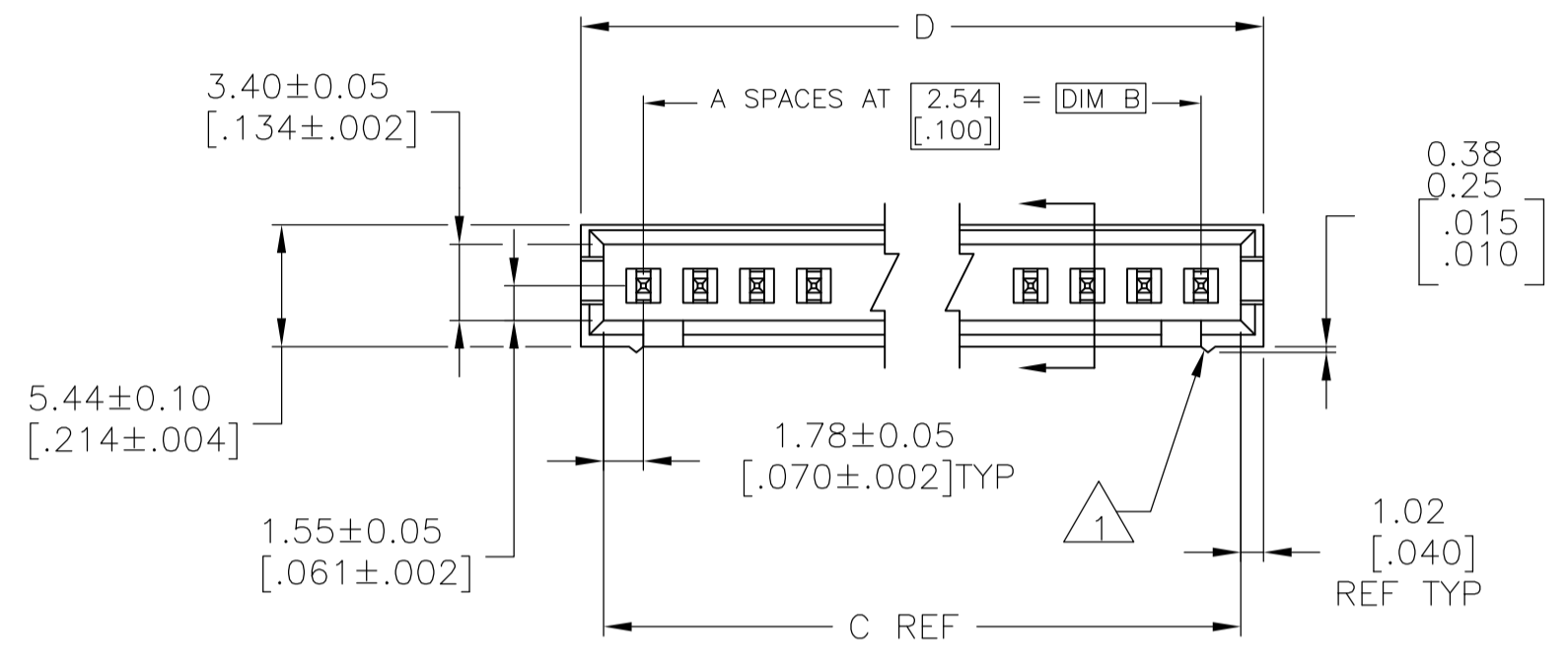
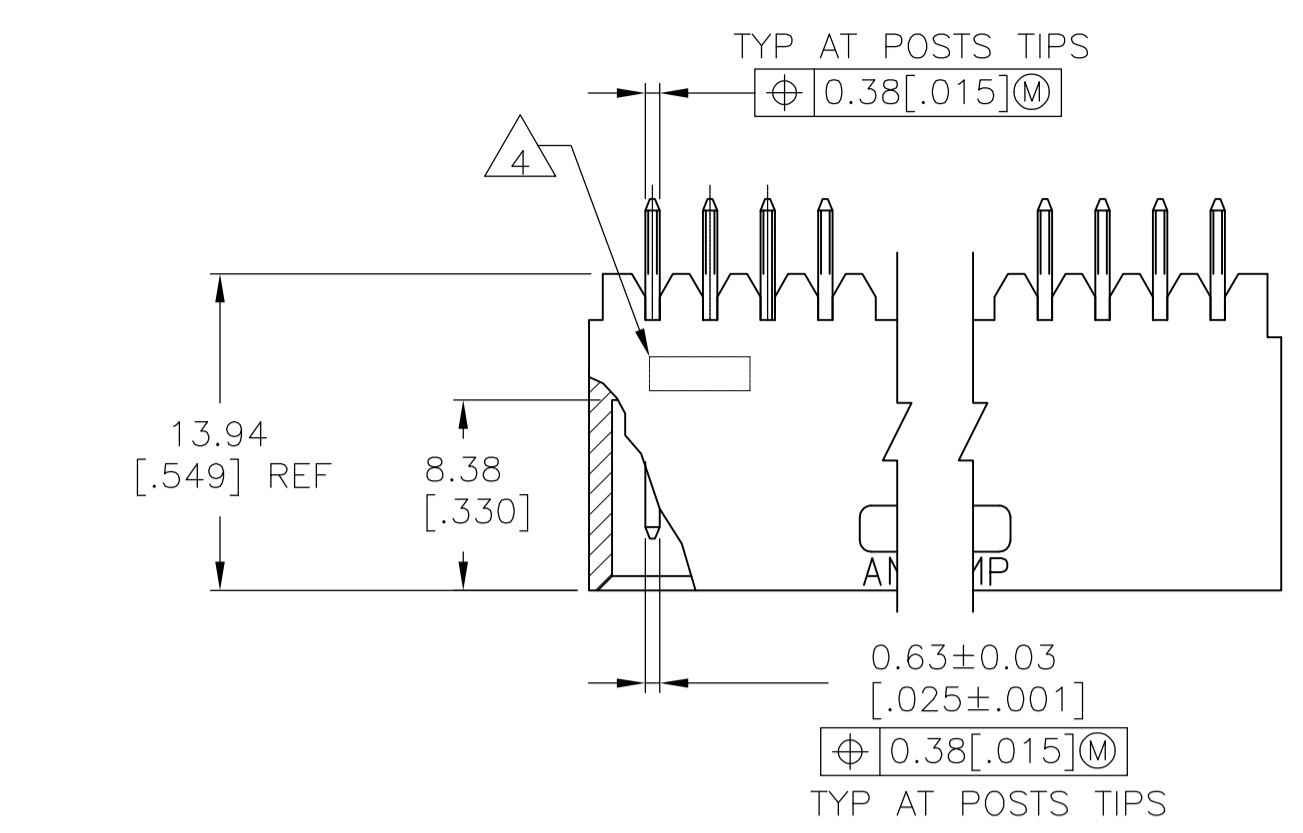


| REVISONS | | DATE | BY | APPV |
|----------|---------------------------|---------|----|------|
| P2 | REVISED PER ECO-11-004587 | 11MAR11 | RK | HMR |

- 1 STANDOFFS: UP TO 9 POS-(2 REQD) ON THE OUTSIDE ENDS OF THE HOUSING
10 TO 19 POS-(3 REQD) TWO ON THE OUTSIDE ENDS AND ONE CENTERED ON THE HOUSING
19 POS AND LARGER-(4 REQD) TWO ON THE OUTSIDE ENDS AND TWO SPACED EVENLY WITHIN THE REMAINING LENGTH OF THE HOUSING
- 2 POINT OF MEASUREMENT FOR PLATING THICKNESS
- 3 FOR 3 POS (3--4 ONLY) ONE SLOT, 5.46[.215] WIDE.
- 4 RECESSED DATE CODE
- 5 HOUSING: FLAME RETARDANT THERMOPLASTIC, COLOR - BLACK.
POSTS: BRASS.
- 6 0.00038[.000015] GOLD ON THE CONTACT AREA, 0.00254[.000100]-0.00508[.000200] MATTE TIN-LEAD ON THE SOLDER TAIL ALL OVER 0.00127[.000050] NICKEL.
- 7 0.00038[.000015] GOLD ON THE CONTACT AREA, 0.00254[.000100]-0.00508[.000200] MATTE TIN ON THE SOLDER TAIL ALL OVER 0.00127[.000050] NICKEL.
- 8 OBSOLETE PARTS: OBSOLETE CIS STREAMLINING PER D.RENAUD/D.SINISI



| PLATING | D | C | B | A | NO OF POSN | PART NUMBER |
|---------|---------------|---------------|---------------|----|------------|-------------|
| 3 | 10.67 [.420] | 8.64 [.340] | 5.08 [.200] | 2 | 3 | 8-102202-4 |
| 6 | 66.55 [2.620] | 64.52 [2.540] | 60.96 [2.400] | 24 | 25 | 7-102202-2 |
| 6 | 64.01 [2.520] | 61.98 [2.440] | 58.42 [2.300] | 23 | 24 | 7-102202-1 |
| 6 | 61.47 [2.420] | 59.44 [2.340] | 55.88 [2.200] | 22 | 23 | 7-102202-0 |
| 6 | 58.93 [2.320] | 56.90 [2.240] | 53.34 [2.100] | 21 | 22 | 6-102202-9 |
| 6 | 56.39 [2.220] | 54.36 [2.140] | 50.80 [2.000] | 20 | 21 | 6-102202-8 |
| 6 | 53.85 [2.120] | 51.82 [2.040] | 48.26 [1.900] | 19 | 20 | 6-102202-7 |
| 6 | 51.31 [2.020] | 49.28 [1.940] | 45.72 [1.800] | 18 | 19 | 6-102202-6 |
| 6 | 48.77 [1.920] | 46.74 [1.840] | 43.18 [1.700] | 17 | 18 | 6-102202-5 |
| 6 | 46.23 [1.820] | 44.20 [1.740] | 40.64 [1.600] | 16 | 17 | 6-102202-4 |
| 6 | 43.69 [1.720] | 41.66 [1.640] | 38.10 [1.500] | 15 | 16 | 6-102202-3 |
| 6 | 41.15 [1.620] | 39.12 [1.540] | 35.56 [1.400] | 14 | 15 | 6-102202-2 |
| 6 | 38.61 [1.520] | 36.58 [1.440] | 33.02 [1.300] | 13 | 14 | 6-102202-1 |
| 6 | 36.07 [1.420] | 34.04 [1.340] | 30.48 [1.200] | 12 | 13 | 6-102202-0 |
| 6 | 33.53 [1.320] | 31.50 [1.240] | 27.94 [1.100] | 11 | 12 | 5-102202-9 |
| 6 | 30.99 [1.220] | 28.96 [1.140] | 25.40 [1.000] | 10 | 11 | 5-102202-8 |
| 6 | 28.45 [1.120] | 26.42 [1.040] | 22.86 [900] | 9 | 10 | 5-102202-7 |
| 6 | 25.91 [1.020] | 23.88 [940] | 20.32 [800] | 8 | 9 | 5-102202-6 |
| 6 | 23.37 [920] | 21.34 [840] | 17.78 [700] | 7 | 8 | 5-102202-5 |
| 6 | 20.83 [820] | 18.80 [740] | 15.24 [600] | 6 | 7 | 5-102202-4 |
| 6 | 18.29 [720] | 16.26 [640] | 12.70 [500] | 5 | 6 | 5-102202-3 |
| 6 | 15.75 [620] | 13.72 [540] | 10.16 [400] | 4 | 5 | 5-102202-2 |
| 6 | 13.21 [520] | 11.18 [440] | 7.62 [300] | 3 | 4 | 5-102202-1 |
| 6 | 10.67 [420] | 8.64 [340] | 5.08 [200] | 2 | 3 | 3-102202-4 |
| 6 | 94.49 [3.720] | 92.46 [3.640] | 88.90 [3.500] | 35 | 36 | 3-102202-3 |
| 6 | 91.95 [3.620] | 89.92 [3.540] | 86.36 [3.400] | 34 | 35 | 3-102202-2 |
| 6 | 89.41 [3.520] | 87.38 [3.440] | 83.82 [3.300] | 33 | 34 | 3-102202-1 |
| 6 | 86.87 [3.420] | 84.84 [3.340] | 81.28 [3.200] | 32 | 33 | 3-102202-0 |
| 6 | 84.33 [3.320] | 82.30 [3.240] | 78.74 [3.100] | 31 | 32 | 2-102202-9 |
| 6 | 81.79 [3.220] | 79.76 [3.140] | 76.20 [3.000] | 30 | 31 | 2-102202-8 |
| 6 | 79.25 [3.120] | 77.22 [3.040] | 73.66 [2.900] | 29 | 30 | 2-102202-7 |
| 6 | 76.71 [3.020] | 74.68 [2.940] | 71.12 [2.800] | 28 | 29 | 2-102202-6 |
| 6 | 74.17 [2.920] | 72.14 [2.840] | 68.58 [2.700] | 27 | 28 | 2-102202-5 |
| 6 | 71.63 [2.820] | 69.60 [2.740] | 66.04 [2.600] | 26 | 27 | 2-102202-4 |
| 6 | 69.09 [2.720] | 67.06 [2.640] | 63.50 [2.500] | 25 | 26 | 2-102202-3 |
| 6 | 66.55 [2.620] | 64.52 [2.540] | 60.96 [2.400] | 24 | 25 | 2-102202-2 |
| 6 | 64.01 [2.520] | 61.98 [2.440] | 58.42 [2.300] | 23 | 24 | 2-102202-1 |
| 6 | 61.47 [2.420] | 59.44 [2.340] | 55.88 [2.200] | 22 | 23 | 2-102202-0 |
| 6 | 58.93 [2.320] | 56.90 [2.240] | 53.34 [2.100] | 21 | 22 | 1-102202-9 |
| 6 | 56.39 [2.220] | 54.36 [2.140] | 50.80 [2.000] | 20 | 21 | 1-102202-8 |
| 6 | 53.85 [2.120] | 51.82 [2.040] | 48.26 [1.900] | 19 | 20 | 1-102202-7 |
| 6 | 51.31 [2.020] | 49.28 [1.940] | 45.72 [1.800] | 18 | 19 | 1-102202-6 |
| 6 | 48.77 [1.920] | 46.74 [1.840] | 43.18 [1.700] | 17 | 18 | 1-102202-5 |
| 6 | 46.23 [1.820] | 44.20 [1.740] | 40.64 [1.600] | 16 | 17 | 1-102202-4 |
| 6 | 43.69 [1.720] | 41.66 [1.640] | 38.10 [1.500] | 15 | 16 | 1-102202-3 |
| 6 | 41.15 [1.620] | 39.12 [1.540] | 35.56 [1.400] | 14 | 15 | 1-102202-2 |
| 6 | 38.61 [1.520] | 36.58 [1.440] | 33.02 [1.300] | 13 | 14 | 1-102202-1 |
| 6 | 36.07 [1.420] | 34.04 [1.340] | 30.48 [1.200] | 12 | 13 | 1-102202-0 |
| 6 | 33.53 [1.320] | 31.50 [1.240] | 27.94 [1.100] | 11 | 12 | 102202-9 |
| 6 | 30.99 [1.220] | 28.96 [1.140] | 25.40 [1.000] | 10 | 11 | 102202-8 |
| 6 | 28.45 [1.120] | 26.42 [1.040] | 22.86 [900] | 9 | 10 | 102202-7 |
| 6 | 25.91 [1.020] | 23.88 [940] | 20.32 [800] | 8 | 9 | 102202-6 |
| 6 | 23.37 [920] | 21.34 [840] | 17.78 [700] | 7 | 8 | 102202-5 |
| 6 | 20.83 [820] | 18.80 [740] | 15.24 [600] | 6 | 7 | 102202-4 |
| 6 | 18.29 [720] | 16.26 [640] | 12.70 [500] | 5 | 6 | 102202-3 |
| 6 | 15.75 [620] | 13.72 [540] | 10.16 [400] | 4 | 5 | 102202-2 |
| 6 | 13.21 [520] | 11.18 [440] | 7.62 [300] | 3 | 4 | 102202-1 |

8 SUPERSEDED BY 6-102202-4

THIS DRAWING IS A CONTROLLED DOCUMENT. BRANDBERG 04NOV97

DIMENSIONS: mm [INCHES] TOLERANCES UNLESS OTHERWISE SPECIFIED:

| | | |
|--------|---|------------|
| 0 PLC | ± | - |
| 1 PLC | ± | - |
| 2 PLC | ± | - |
| 3 PLC | ± | 0.38 [015] |
| 4 PLC | ± | - |
| ANGLES | ± | - |

MATERIAL: 5 FINISH: SEE TABLE WEIGHT: -- SIZE: A1 CASE CODE: 00779 DRAWING NO: 102202 RESTRICTED TO: --

APPROVED: S. SHUEY 04NOV97 NAME: ASSEMBLY, MOD II, HEADER, SINGLE ROW, 2.54 [.100] C/L, VERTICAL, WITH 0.64 [.025] SQUARE POSTS

CUSTOMER DRAWING SCALE: 3:1 SHEET: 1 OF 1 REV: P2

Данный компонент на территории Российской Федерации

Вы можете приобрести в компании MosChip.

Для оперативного оформления запроса Вам необходимо перейти по данной ссылке:

<http://moschip.ru/get-element>

Вы можете разместить у нас заказ для любого Вашего проекта, будь то серийное производство или разработка единичного прибора.

В нашем ассортименте представлены ведущие мировые производители активных и пассивных электронных компонентов.

Нашей специализацией является поставка электронной компонентной базы двойного назначения, продукции таких производителей как XILINX, Intel (ex.ALTERA), Vicor, Microchip, Texas Instruments, Analog Devices, Mini-Circuits, Amphenol, Glenair.

Сотрудничество с глобальными дистрибьюторами электронных компонентов, предоставляет возможность заказывать и получать с международных складов практически любой перечень компонентов в оптимальные для Вас сроки.

На всех этапах разработки и производства наши партнеры могут получить квалифицированную поддержку опытных инженеров.

Система менеджмента качества компании отвечает требованиям в соответствии с ГОСТ Р ИСО 9001, ГОСТ РВ 0015-002 и ЭС РД 009

Офис по работе с юридическими лицами:

105318, г.Москва, ул.Щербаковская д.3, офис 1107, 1118, ДЦ «Щербаковский»

Телефон: +7 495 668-12-70 (многоканальный)

Факс: +7 495 668-12-70 (доб.304)

E-mail: info@moschip.ru

Skype отдела продаж:

moschip.ru

moschip.ru_4

moschip.ru_6

moschip.ru_9