



# INNOVATION SERIES

## Linear LED Light Modules



### Overview

Heatron's Innovation Series LED Modules provide luminaire manufacturers with the key components needed to move LED lighting projects from concept to production. The LED modules were built for design engineers looking for an easy way to prototype new fixture designs. An off-the-shelf platform, these modules move seamlessly from prototype to final design. Innovation Modules are centered on Cree XPG and XTE LEDs. Custom configurations are available for OEM's who prefer other LED packages, flux bins, color temperatures or CRI.

Linear Innovation Series LED Modules are available in three sizes with two, three, or six LED arrays.

Also see our Round Innovation Series LED Modules, available in three versions with three or seven LED arrays.

Innovation Series modules come with easy-to-use connectors, enabling quick prototyping of various light engines.



*Transforming Your Vision  
into Higher Performance Solutions*

# Linear LED Light Modules

## Key Features

- Luminous efficacy of up to 78 lm/W
- Available in 3000 K
- CRI 80
- Peel and stick thermal interface for easy integration into OEM light fixtures
- Environmentally green: Mercury and UV Free
- 5 year warranty

## Fixture Types

- Sconce
- Linear
- Accent
- Step
- Cove
- Under cabinet task

### Optical Characteristics Tj = 85°C

| Part Number           | Lumen <sup>(1)</sup> Values<br>If @ 700 mA | Lumen <sup>(1)</sup> Values<br>If @1.5A | Color Temperature<br>(Kelvin) | CRI Minimum |
|-----------------------|--|---|-------------------------------|-------------|
| JDHT-LMC02-XPG-WW-094 | 300  | 530                                     | 3000                          | 80          |
| JDHT-LMC03-XPG-WW-094 | 450  | 810                                     | 3000                          | 80          |
| JDHT-LMC06-XPG-WW-094 | 900  | 1600                                    | 3000                          | 80          |
| JDHT-LMC02-XTE-WW-094 | 320  | 550                                     | 3000                          | 80          |
| JDHT-LMC03-XTE-WW-094 | 500  | 860                                     | 3000                          | 80          |
| JDHT-LMC06-XTE-WW-094 | 1000                                       | 1700                                    | 3000                          | 80          |

<sup>1</sup>Values are nominal. Flux values measured without optics.

### Electrical Characteristics Tj = 85°C

| Part Number           | Vf      |         | Forward Current |       | Input Power |        |
|-----------------------|---------|---------|-----------------|-------|-------------|--------|
|                       | Nominal | Max     | Nominal         | Max   | Nominal     | Max    |
| JDHT-LMC02-XPG-WW-094 | 5.8 V   | 6.2 V   | 700 mA          | 1.5 A | 4.0 W       | 9.2 W  |
| JDHT-LMC03-XPG-WW-094 | 8.65 V  | 9.24 V  | 700 mA          | 1.5 A | 6.0 W       | 13.9 W |
| JDHT-LMC06-XPG-WW-094 | 17.3 V  | 18.5 V  | 700 mA          | 1.5 A | 12.1 W      | 27.7 W |
| JDHT-LMC02-XTE-WW-094 | 6.1 V   | 6.8 V   | 700 mA          | 1.5 A | 4.3 W       | 10.1 W |
| JDHT-LMC03-XTE-WW-094 | 9.14 V  | 10.12 V | 700 mA          | 1.5 A | 6.4 W       | 15.2 W |
| JDHT-LMC06-XTE-WW-094 | 18.3 V  | 20.3 V  | 700 mA          | 1.5 A | 12.8 W      | 30.4 W |

### Ordering Information

Example: JDHT-LMC02-XPG-WW-094

| Internal | Series | LED Quantity   | LED        | Color Temperature | Min. Flux Bin | Optics C_B  |
|----------|--------|----------------|------------|-------------------|---------------|---|
| JDHT     | LMC    | 02<br>03<br>06 | XTE<br>XPG | WW = 3000         | 094           | Blank = no optics<br>N = Narrow 10°<br>M = Medium 30°<br>W = Wide 40° |

Contact Heatron LED Integration for alternative Innovations Series product configurations in LEDs, flux, CCT and CRI

# Linear LED Light Modules

Linear 2 LED Array

Linear 3 LED Array

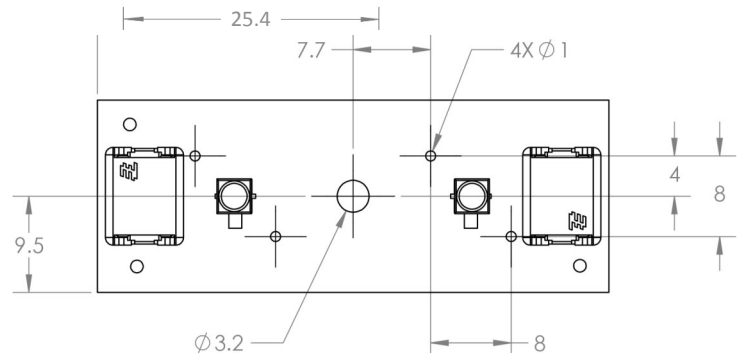
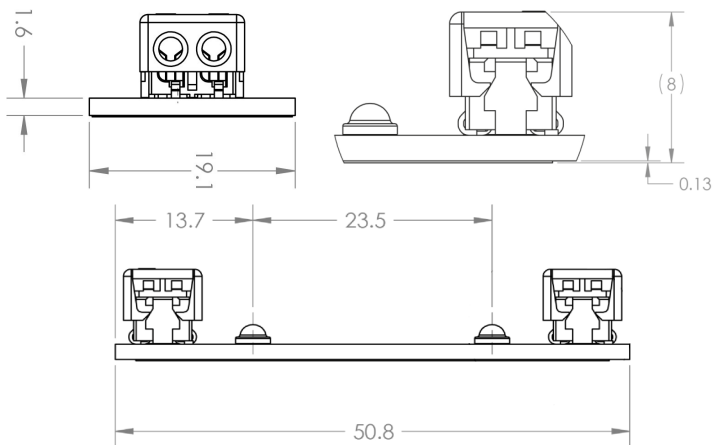
Linear 6 LED Array



## Dimensions

All Linear LED Array Dimensions: Width & Height

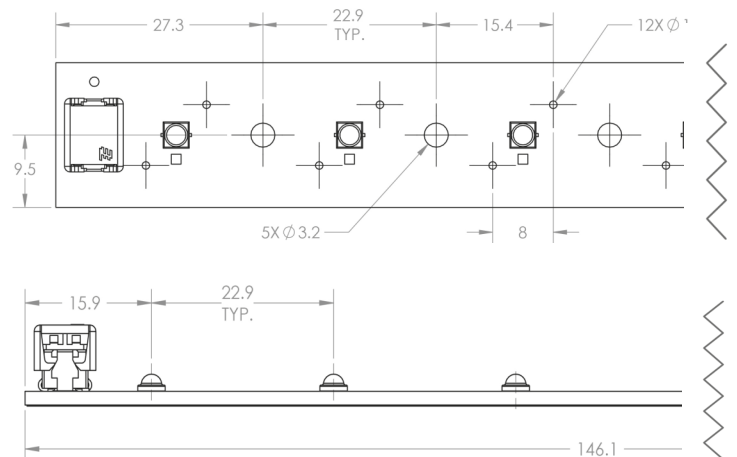
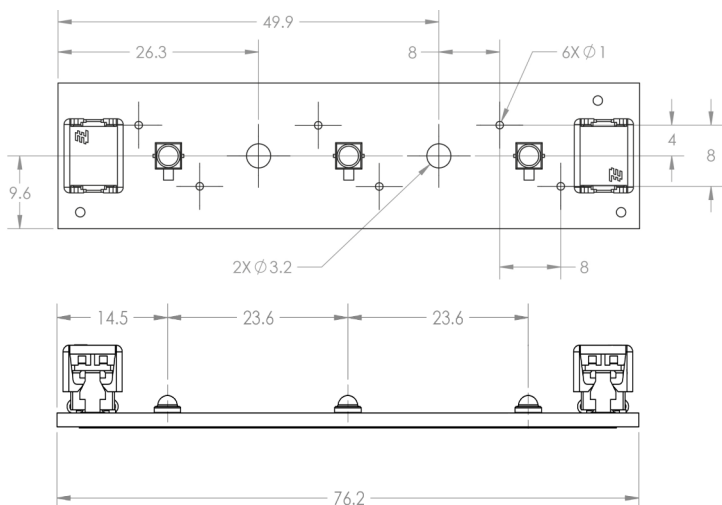
Linear 2 LED Array Dimensions: Length & Positioning



## Dimensions

Linear 3 LED Array Dimensions: Length & Positioning

Linear 6 LED Array Dimensions: Length & Positioning



All dimensions are in millimeters.

Innovation Series LED Modules are high output arrays; use with constant current driver and heat sink capable of dissipating 10 Watts for Linear 2 LED Arrays, 15 Watts for Linear 3 LED Array and 30 Watts for Linear 6 LED Array. Contact Heatron for list of compatible LED drivers.



### About Heatron LED Integration

Heatron LED Integration helps OEMs reduce costs, speed time to market and ensure superior quality and performance. Heatron LED Integration leverages the engineering disciplines of optical, electrical and mechanical design, with expertise in thermal management.

Offering various levels of integration ranging from design and manufacture of component level LED light engines to turnkey lighting solutions, Heatron designs for a broad range of uses, including indoor, outdoor, commercial, industrial, healthcare and transportation lighting applications.

Heatron, Inc. – *Transforming Your Vision into Higher Performance Solutions.*  
For more information about Heatron LED Integration, its products, services and manufacturing, visit [www.heatron.com](http://www.heatron.com)

3000 Wilson Avenue  
Leavenworth, KS 66048-4637 USA  
877.553.9070

P: 1.913.651.4420 • F: 1.913.651.5352  
[www.heatron.com](http://www.heatron.com) • [heatron1@heatron.com](mailto:heatron1@heatron.com)  
ISO 9001 • Registered by Underwriters Laboratories, Inc.



## Данный компонент на территории Российской Федерации

### Вы можете приобрести в компании MosChip.

Для оперативного оформления запроса Вам необходимо перейти по данной ссылке:

<http://moschip.ru/get-element>

Вы можете разместить у нас заказ для любого Вашего проекта, будь то серийное производство или разработка единичного прибора.

В нашем ассортименте представлены ведущие мировые производители активных и пассивных электронных компонентов.

Нашей специализацией является поставка электронной компонентной базы двойного назначения, продукции таких производителей как XILINX, Intel (ex.ALTERA), Vicor, Microchip, Texas Instruments, Analog Devices, Mini-Circuits, Amphenol, Glenair.

Сотрудничество с глобальными дистрибьюторами электронных компонентов, предоставляет возможность заказывать и получать с международных складов практически любой перечень компонентов в оптимальные для Вас сроки.

На всех этапах разработки и производства наши партнеры могут получить квалифицированную поддержку опытных инженеров.

Система менеджмента качества компании отвечает требованиям в соответствии с ГОСТ Р ИСО 9001, ГОСТ РВ 0015-002 и ЭС РД 009

### Офис по работе с юридическими лицами:

105318, г.Москва, ул.Щербаковская д.3, офис 1107, 1118, ДЦ «Щербаковский»

Телефон: +7 495 668-12-70 (многоканальный)

Факс: +7 495 668-12-70 (доб.304)

E-mail: [info@moschip.ru](mailto:info@moschip.ru)

Skype отдела продаж:

moschip.ru

moschip.ru\_4

moschip.ru\_6

moschip.ru\_9