

MATERIALS		
COMPONENT NAME	BASE MATERIAL	FINISH
CASE	LCP, BLACK, UL94 V-0	
TERMINAL, WIRE LUG (GOLD)	BRASS	GOLD OVER NICKEL
TERMINAL, PC & RA (GOLD)	BRASS	GOLD OVER NICKEL IN CONTACT AREA, TIN OVER NICKEL IN SOLDER AREA
TERMINAL, VRA (GOLD)	BRASS	GOLD OVER NICKEL IN CONTACT AREA, TIN OVER NICKEL IN SOLDER AREA
TERMINAL, WIRE LUG (SILVER)	SILVER CLAD COPPER	SILVER OVER NICKEL
TERMINAL, PC (SILVER)	SILVER CLAD COPPER	SILVER OVER NICKEL
CONTACT (GOLD)	COPPER ALLOY OR BRASS	GOLD OVER NICKEL
CONTACT (SILVER)	SILVER CLAD COPPER OR COPPER	SILVER OVER NICKEL
FRAME	STEEL	TIN OVER COPPER
SPRING	MUSIC WIRE	
PLUNGER BUTTON	NYLON 6/6, BLACK, RED OR BLUE, UL94 HB (EXTENDED) OR UL94V-2 (FLUSH)	
SUPPORT BRACKET (RA*ES VERSIONS ONLY)	BRASS	TIN OVER COPPER
SUPPORT BRACKET VRA (B&C BUSHINGS ONLY)	STEEL	TIN OVER COPPER
BUSHING	BRASS	NICKLE OVER COPPER
MOUNTING NUT	BRASS	NICKEL
LOCKWASHER	STEEL	NICKEL
ES HOUSING	NYLON 6/6, NATURAL, UL94 V-2	
ES BOOT	VINYL PLASTISOL, BLACK	

PART NUMBER MATRIX									
MODEL	ACTUATOR	POLES	RATING	FUNCTION	PLATING	TERMINATIONS	PROCESS SEAL	BUTTON COLOR	04
TPC	BLANK=EXTENDED	1	1=GOLD .4VA	C=SPST MOMENTARY	G=GOLD	BLANK=WIRE LUG	ES=PROCESS SEALED	0=BLACK	
	F=FLUSH 1	2	3=SILVER 1 AMP2	F=SPDT MOMENTARY	BLANK=SILVER2	PC=PRINTED CIRCUIT		2=RED	
				M=DPST MOMENTARY		RA=RIGHT ANGLE 3		6=BLUE	
				R=DPDT MOMENTARY		VRA=VERTICAL RIGHT ANGLE 4			

NOTES:  
 1. AVAILABLE WITH B & C BUSHINGS ONLY  
 2. SILVER ONLY AVAILABLE IN WIRE LUG AND PC TERMINATIONS  
 3. RAES AVAILABLE WITH B & C BUSHING ONLY  
 4. VRA ONLY AVAILABLE IN SINGLE POLE

SPECIFICATIONS	
RATING	GOLD: .4VA MAX. @ 20VDC OR PEAK AS RESISTIVE SILVER: 1A @ 125VAC OR 28 VDC RESISTIVE
INITIAL TERMINATION RESISTANCE	20 MILLIOHMS MAX.
INSULATION RESISTANCE	1,000 MEGOHMS MIN @ 500 VDC
DIELECTRIC STRENGTH	1,000 VOLTS RMS AT SEA LEVEL
TIMING	BREAK BEFORE MAKE
PLUNGER TRAVEL	.030
ACTUATION FORCE	50 TO 400 GRAMS
LIFE EXPECTANCY	.4 VA, 1 POLE: 100,000 .4 VA, 2 POLES: 80,000 1 A, 1 POLE: 60,000 1 A, 2 POLES: 50,000
OPERATING TEMPERATURE	-30°C TO +65°C
STORAGE TEMPERATURE	-30°C TO +65°C
TERMINAL SEAL	SINGLE POLE: EPOXY DOUBLE POLE: EPOXY OPTIONAL

- NOTES:
- TERMINAL NUMBERS ARE FOR REFERENCE ONLY AND DO NOT APPEAR ON SWITCHES
  - ALL MATERIALS AND FINISHES COMPLY WITH EU DIRECTIVE 2002/95/EC OF 27JAN2003 (ROHS)
  - DISPOSABLE BOOT SUPPLIED WITH ES VERSIONS. BOOT TO BE PLACED OVER BUSHING BEFORE SOLDER WASHING
- 4 CENTER TERMINAL PRESENT ON DOUBLE THROW SWITCHES ONLY.

P/N	ALCO P/N	FLUSH ACTUATOR	POLES	THROWS	PLATING	TERMINALS	PROCESS SEALED	BUTTON COLOR	FUNCTION				CONNECTED TERMINALS		DIM A
									OFF	MOM	ON	MOM	1-3	4-6	
1825098-1	TPC11CGPC004	NO	1	1	GOLD	PC	NO	BLACK	OFF	MOM	OFF	OFF	1-3		.133
1825098-2	TPC11CGRA004	NO	1	1	GOLD	RIGHT ANGLE	NO	BLACK	OFF	MOM	OFF	OFF	1-3		.133
1825098-3	TPC11CGRA204	NO	1	1	GOLD	RIGHT ANGLE	NO	RED	OFF	MOM	OFF	OFF	1-3		.133
1825098-4	TPC11CGVRA004	NO	1	1	GOLD	VRA	NO	BLACK	OFF	MOM	OFF	OFF	1-3		N/A
1825098-5	TPC11FGPC004	NO	1	2	GOLD	PC	NO	BLACK	ON	MOM	1-2	2-3			.133
1825098-6	TPC11FGRA004	NO	1	2	GOLD	RIGHT ANGLE	NO	BLACK	ON	MOM	1-2	2-3			.133
1825098-7	TPC11FGVRA004	NO	1	2	GOLD	VRA	NO	BLACK	ON	MOM	1-2	2-3			N/A
1825098-8	TPC11FGVRA204	NO	1	2	GOLD	VRA	NO	RED	ON	MOM	1-2	2-3			N/A
1825098-9	TPC13C004	NO	1	1	SILVER	WIRE LUG	NO	BLACK	OFF	MOM	OFF	OFF	1-3		.133
1-1825098-0	TPC13C204	NO	1	1	SILVER	WIRE LUG	NO	RED	OFF	MOM	OFF	OFF	1-3		.133
1-1825098-1	TPC13CPC004	NO	1	1	SILVER	PC	NO	BLACK	OFF	MOM	OFF	OFF	1-3		.133
1-1825098-2	TPC13F004	NO	1	2	SILVER	WIRE LUG	NO	BLACK	ON	MOM	1-2	2-3			.133
1-1825098-3	TPC21MGRA204	NO	2	1	GOLD	RIGHT ANGLE	NO	RED	OFF	MOM	OFF	OFF	1-3, 4-6		N/A
1-1825098-4	TPC21RGPC004	NO	2	2	GOLD	PC	NO	BLACK	ON	MOM	1-2, 4-5	2-3, 5-6			N/A
1-1825098-5	TPC23M004	NO	2	1	SILVER	WIRE LUG	NO	BLACK	OFF	MOM	OFF	OFF	1-3, 4-6		N/A
1-1825098-6	TPC23R204	NO	2	2	SILVER	WIRE LUG	NO	RED	ON	MOM	1-2, 4-5	2-3, 5-6			N/A
1-1825098-7	TPCF11CGPC004	YES	1	1	GOLD	PC	NO	BLACK	OFF	MOM	OFF	OFF	1-3		.000
1-1825098-8	TPCF11CGRA004	YES	1	1	GOLD	RIGHT ANGLE	NO	BLACK	OFF	MOM	OFF	OFF	1-3		.000
1-1825098-9	TPCF11FGRA004	YES	1	2	GOLD	RIGHT ANGLE	NO	BLACK	ON	MOM	1-2	2-3			.000
2-1825098-0	TPCF13C004	YES	1	1	SILVER	WIRE LUG	NO	BLACK	OFF	MOM	OFF	OFF	1-3		.000
2-1825098-1	TPCF13C004	YES	1	2	SILVER	WIRE LUG	NO	BLACK	ON	MOM	1-2	2-3			.000

THIS DRAWING IS A CONTROLLED DOCUMENT. DIM RAGHU 12-5-05

DIMENSIONS: INCHES. TOLERANCES UNLESS OTHERWISE SPECIFIED:

0 PLC	± .010
1 PLC	± .010
2 PLC	± .010
3 PLC	± .010
4 PLC	± .010

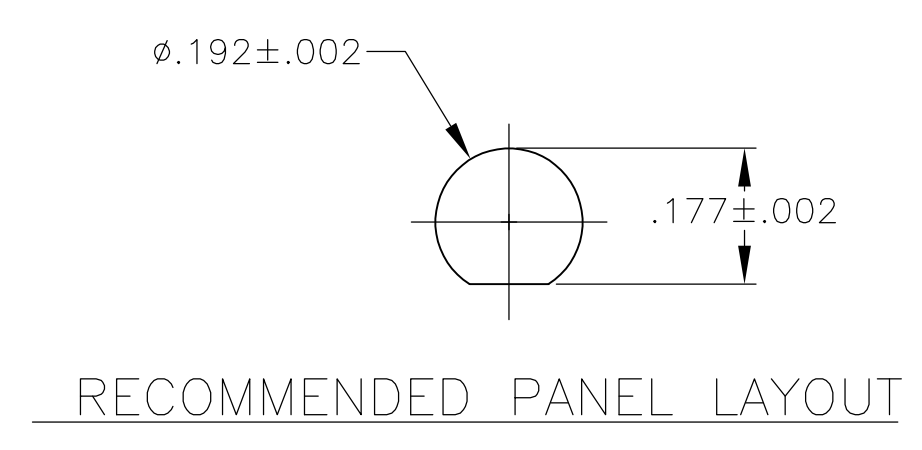
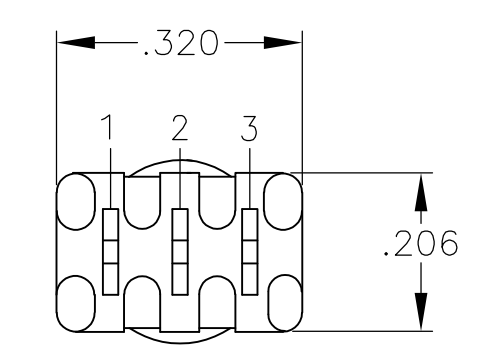
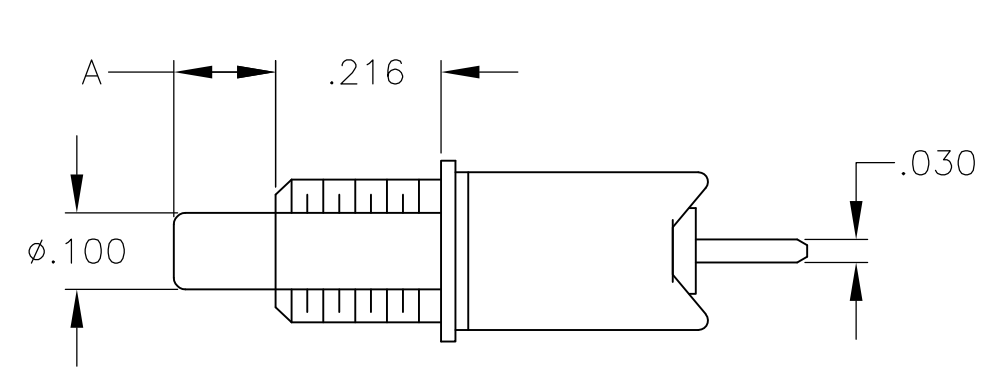
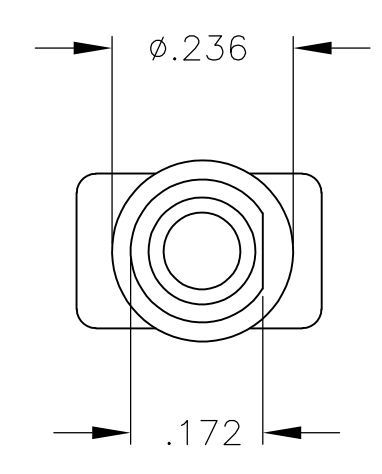
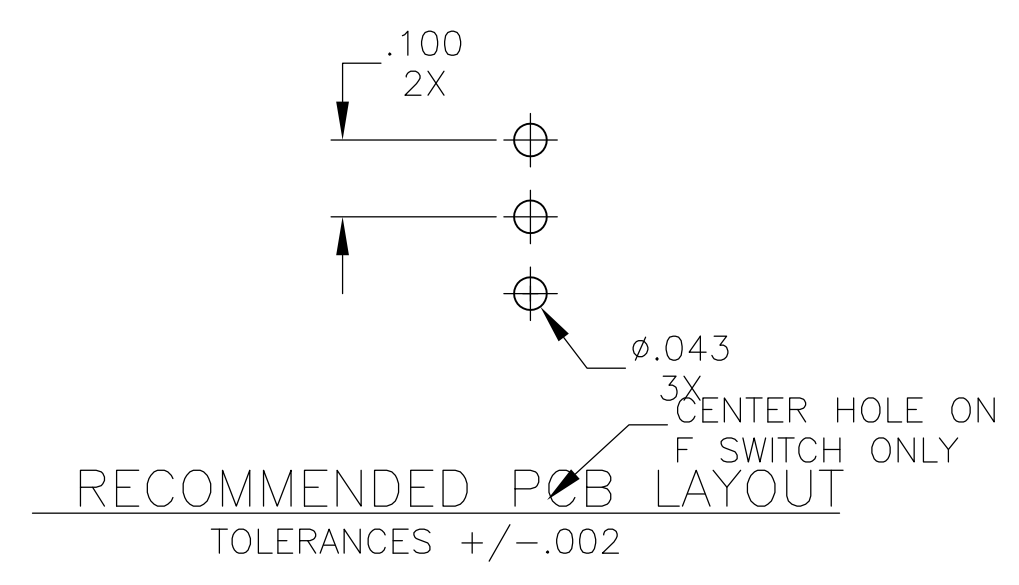
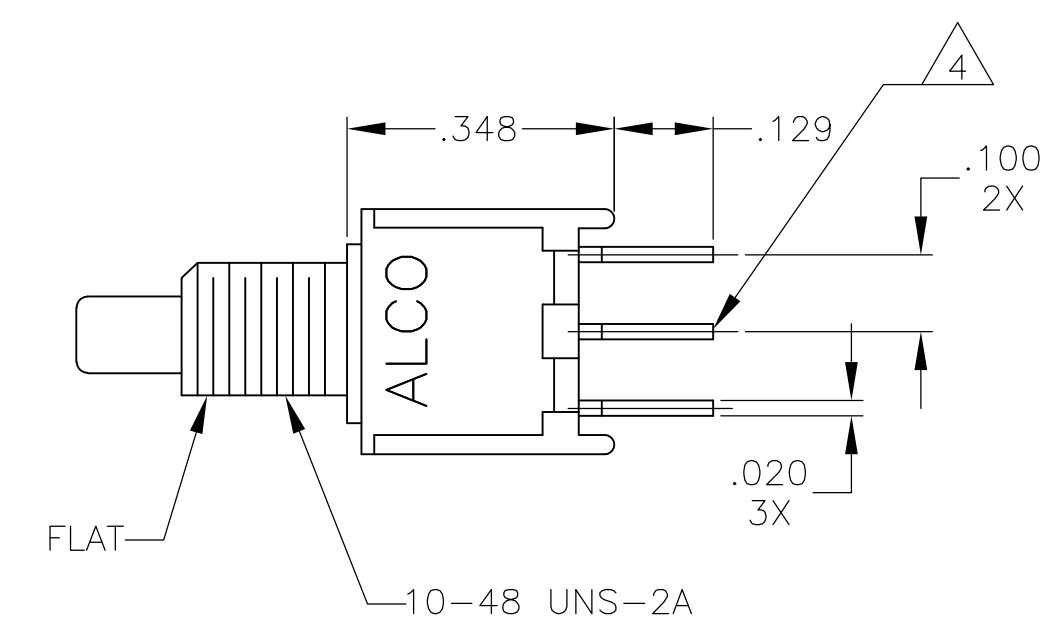
MATERIAL: FINISH:

WEIGHT: A1 00779 C=1825098

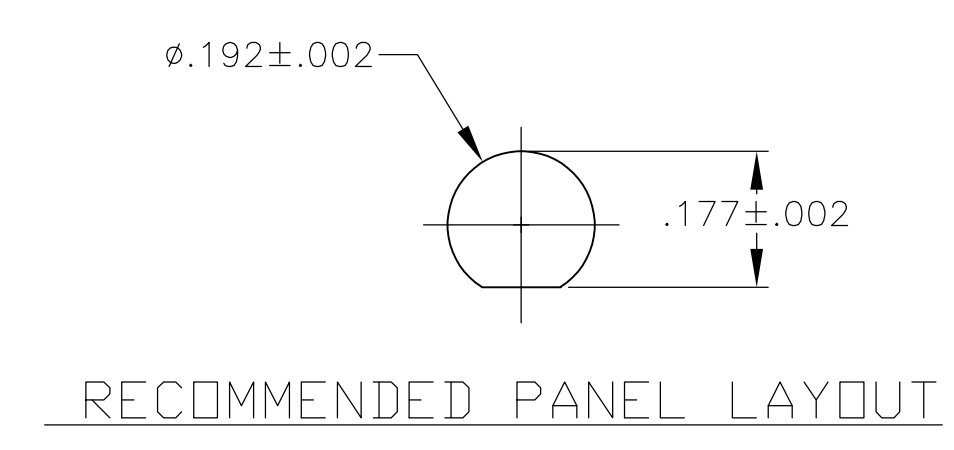
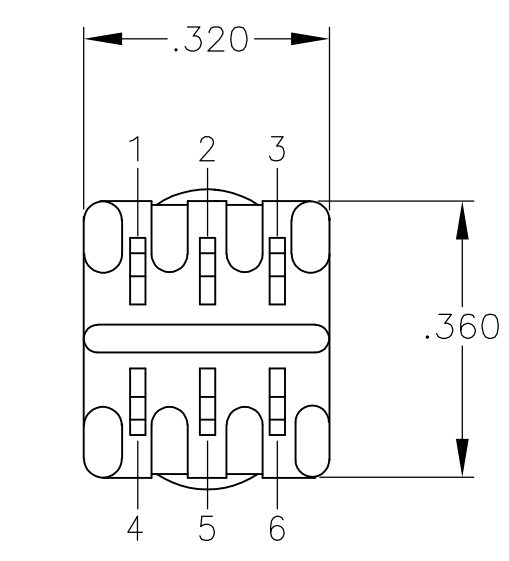
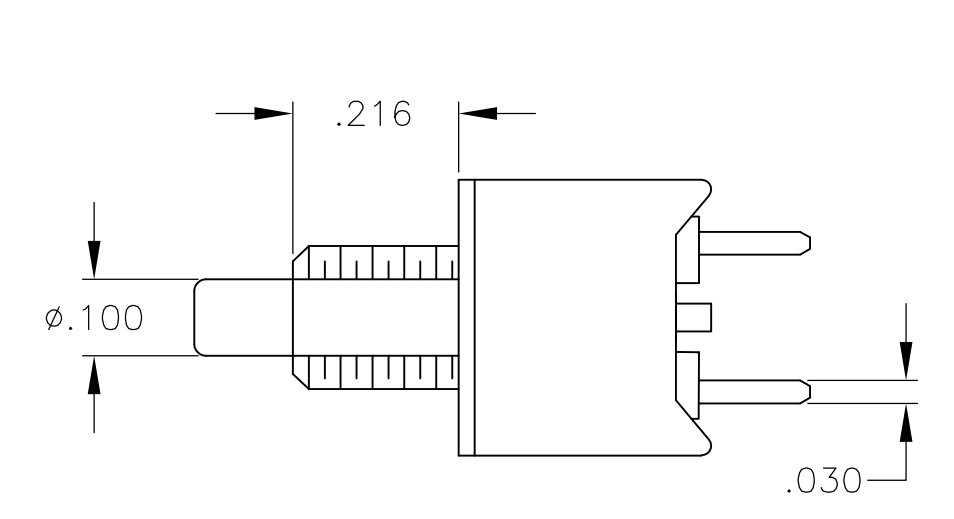
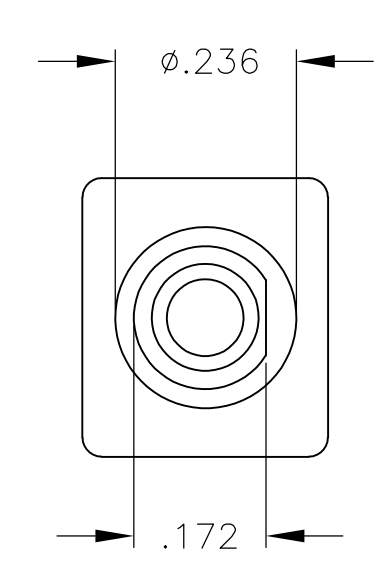
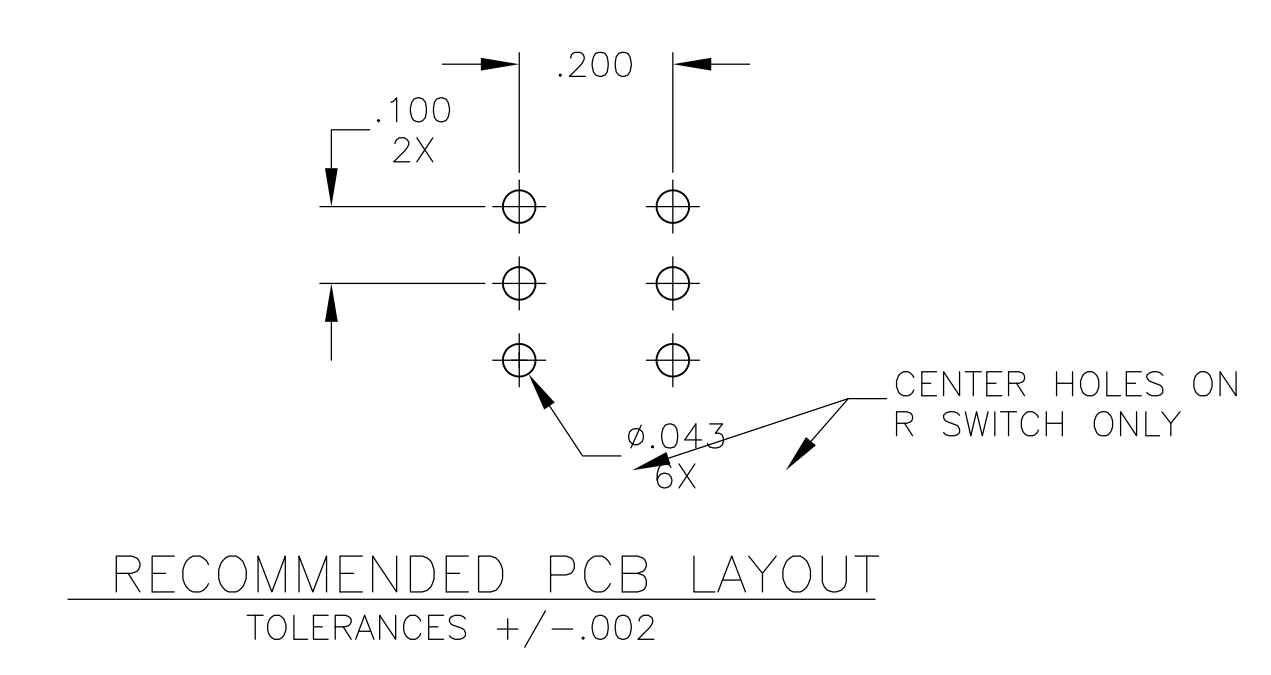
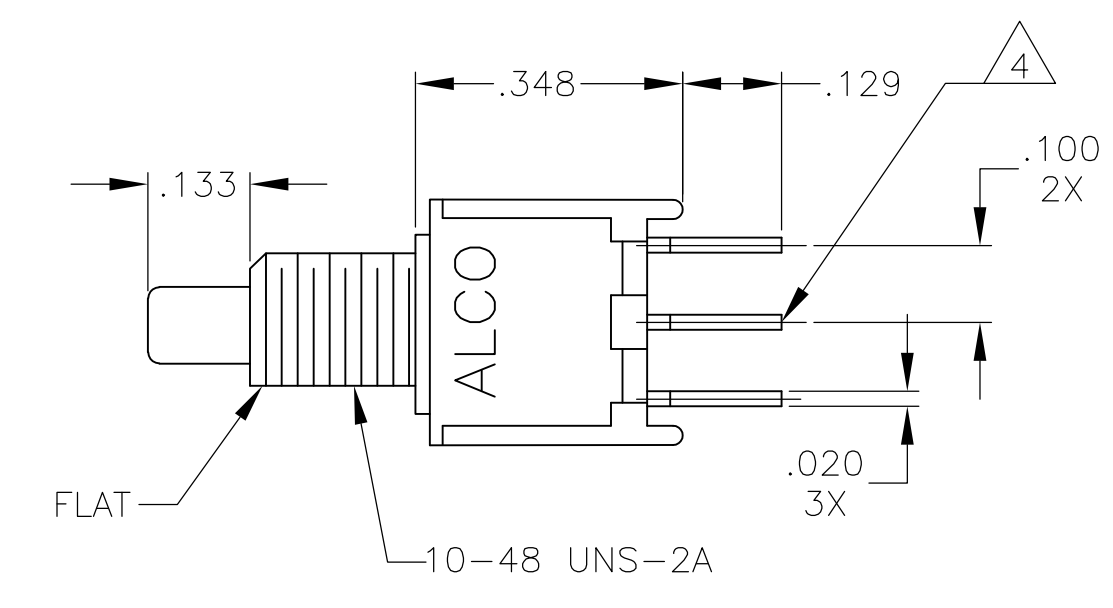
CUSTOMER DRAWING SCALE 4:1 SHEET 1 OF 5 REV A1

STE TE Connectivity

PUSHBUTTON SWITCH, TPC SERIES

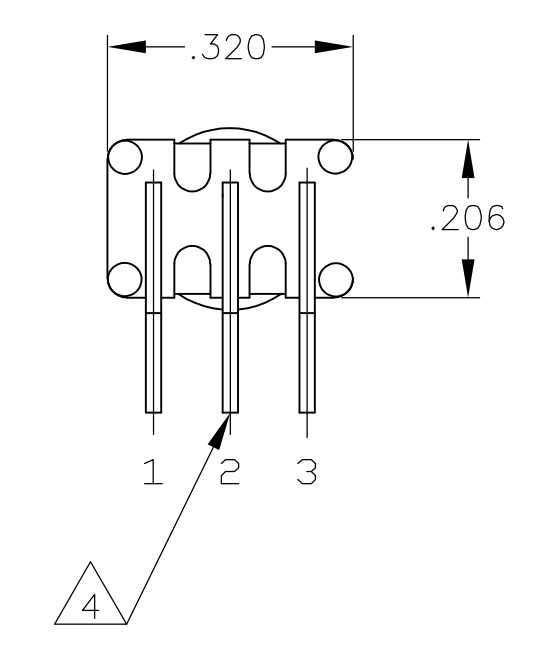
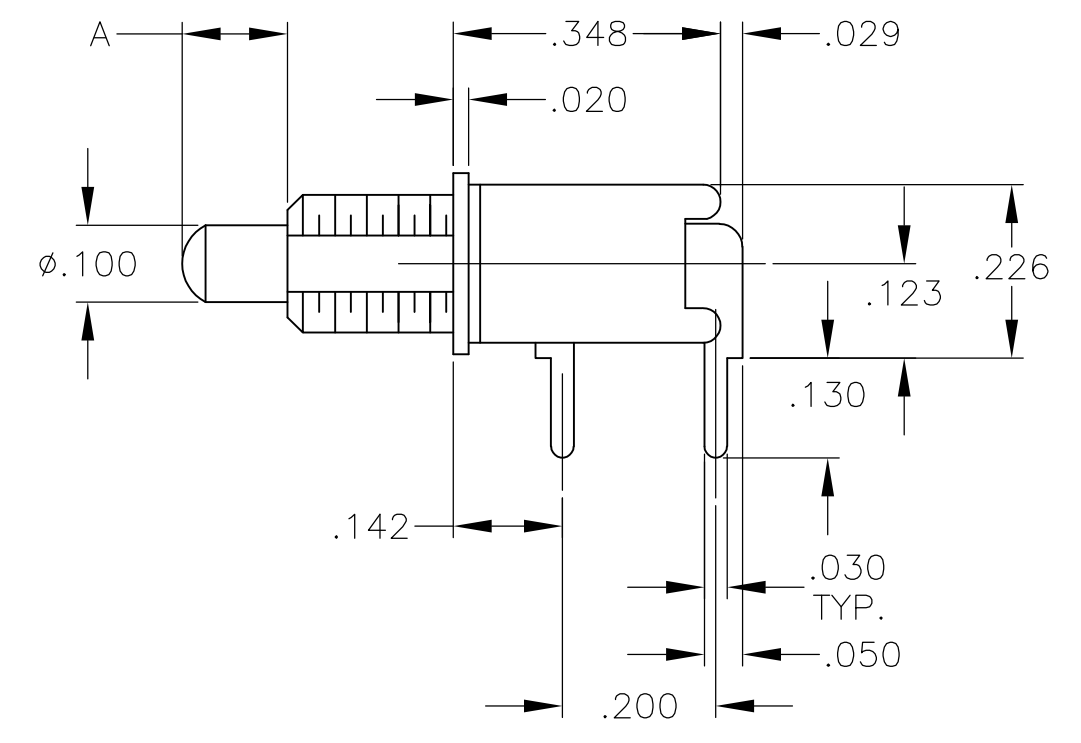
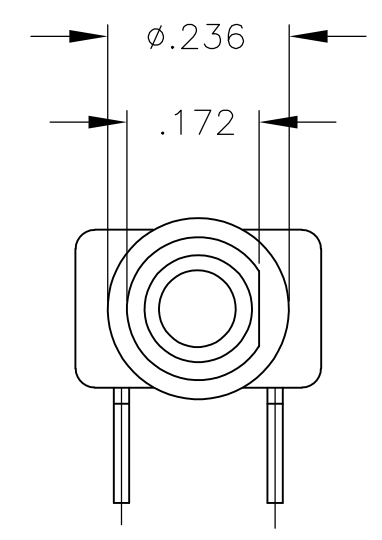
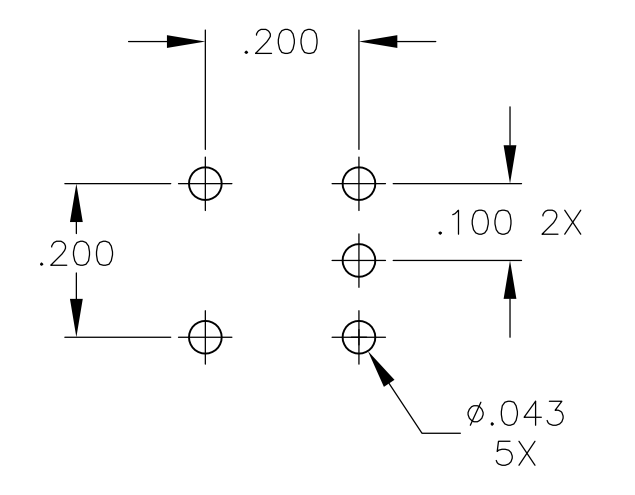
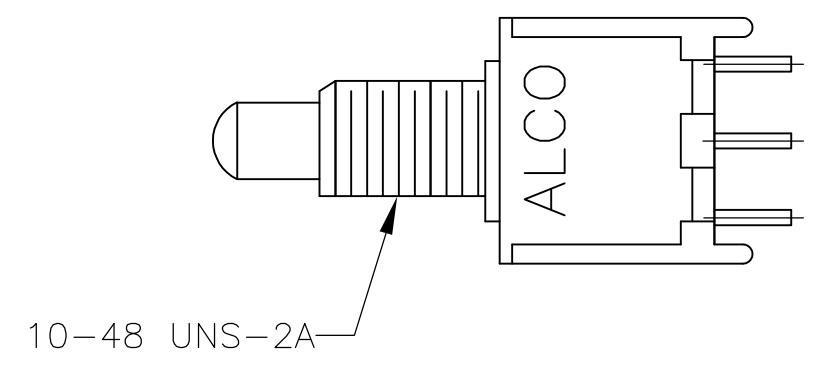


TPC11CGPC, TPC11FGPC  
TPCF11CGPC, TPC13CPC

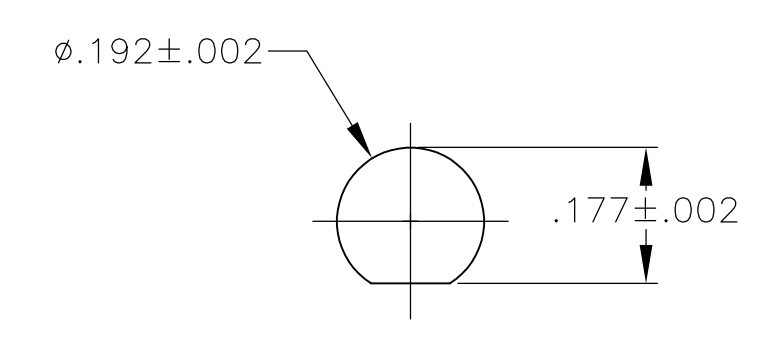


TPC21RGPC

THIS DRAWING IS A CONTROLLED DOCUMENT.		DIN	12-5-05	TE Connectivity	
		CHK	RAGHU		
DIMENSIONS: INCHES		TOLERANCES UNLESS OTHERWISE SPECIFIED:		NAME	
		0. PLC	± .010	PRODUCT SPEC	
		1. PLC	± .010	APPLICATION SPEC	
		2. PLC	± .010	SIZE	
		3. PLC	± .010	CAGE CODE	
MATERIAL		FINISH	WEIGHT	DRAWING NO.	
				A1 00779 C=1825098	
				RESTRICTED TO	
				CUSTOMER DRAWING	
				SCALE	4:1
				SHEET	2 OF 5
				REV	A1

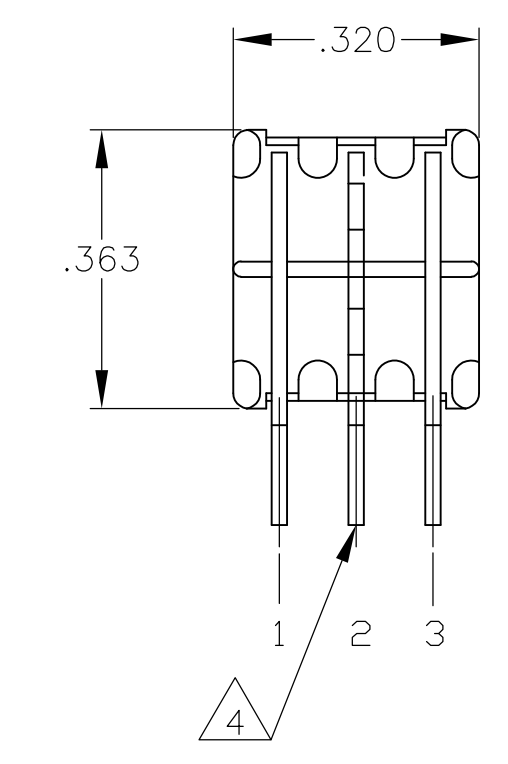
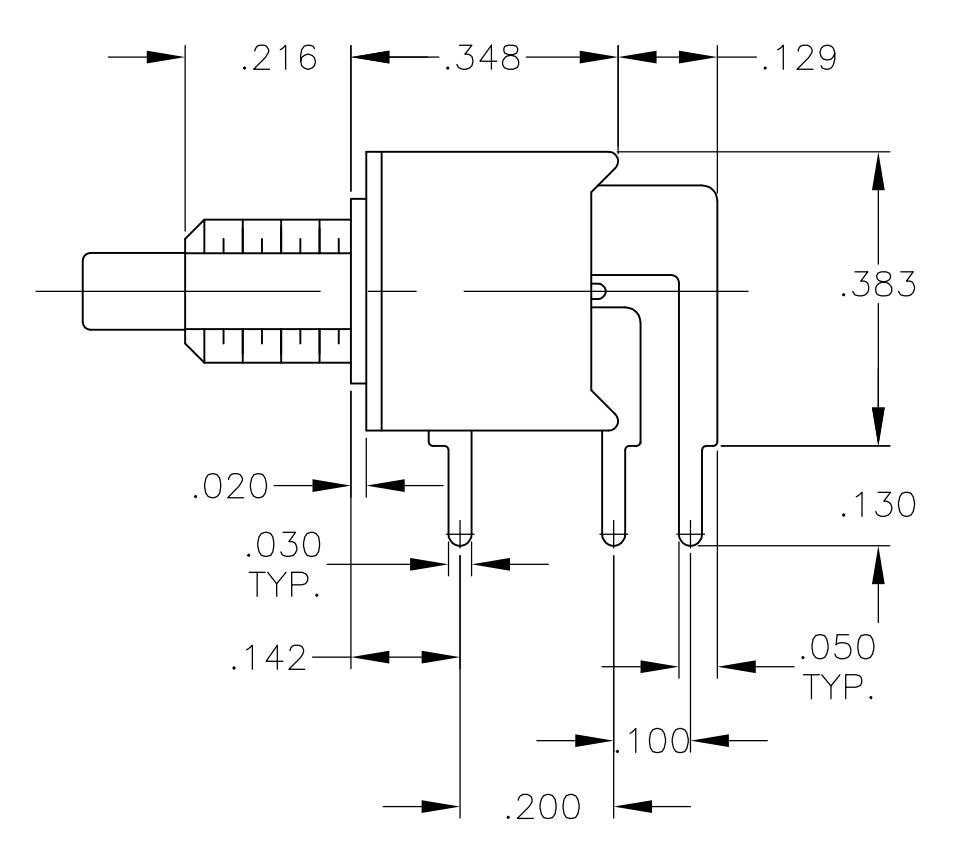
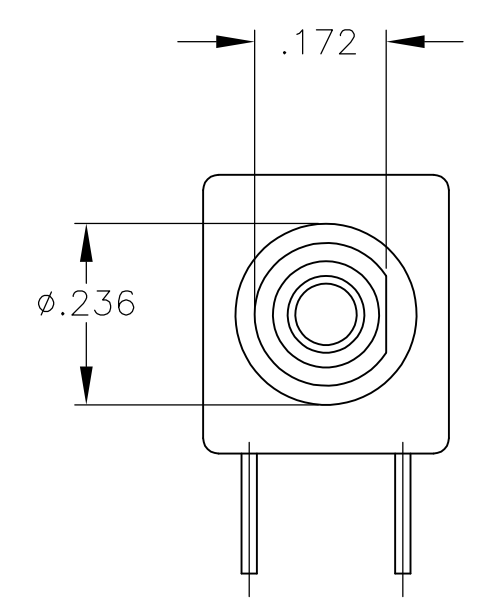
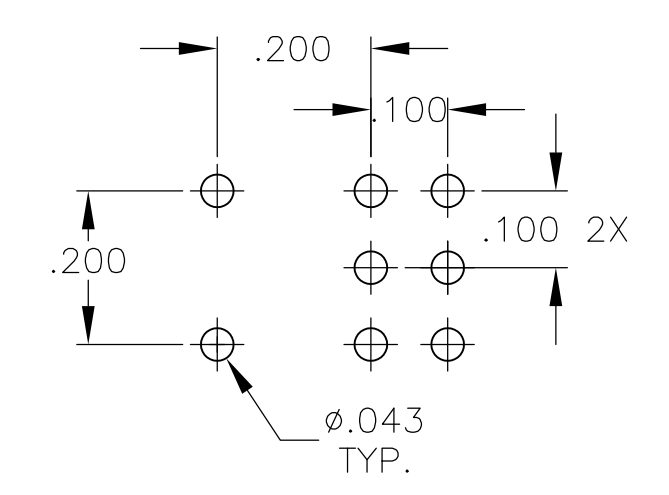
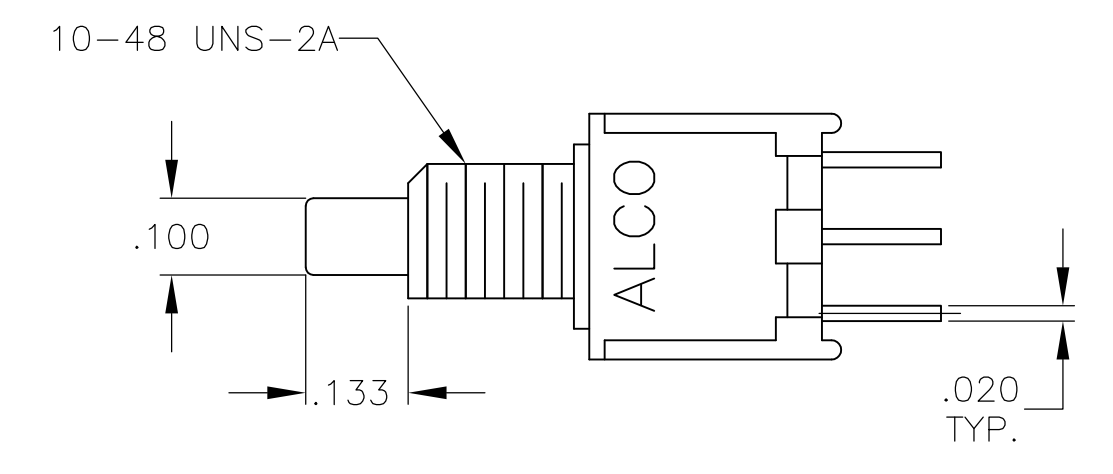


RECOMMENDED PCB LAYOUT  
TOLERANCES +/- .002

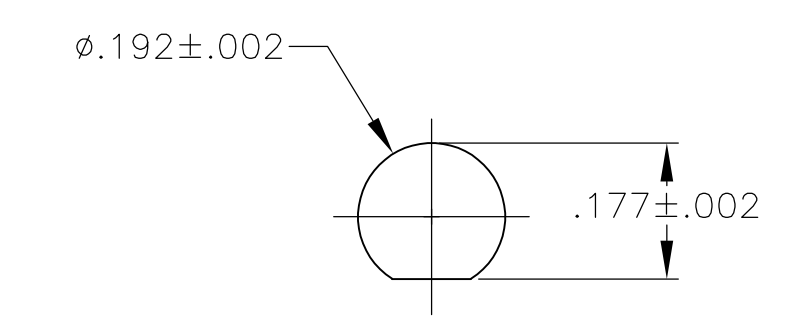


RECOMMENDED PANEL LAYOUT

TPC11CGRA, TPC11FGRA  
TPCF11CGRA, TPCF11FGRA



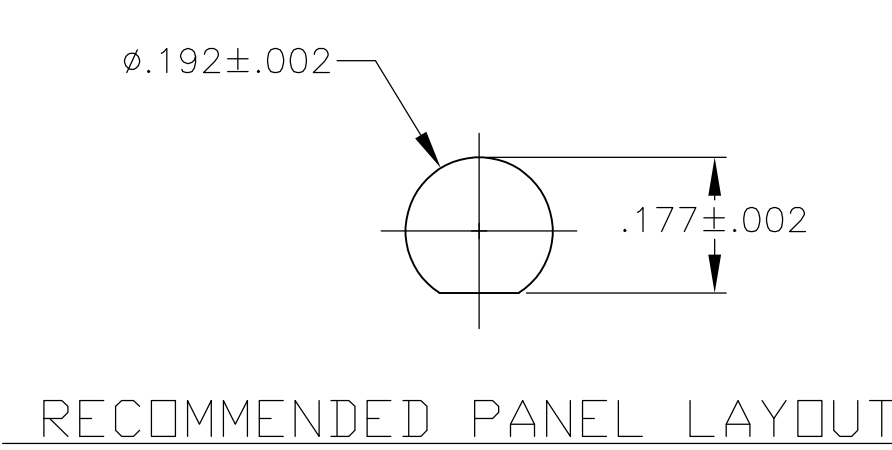
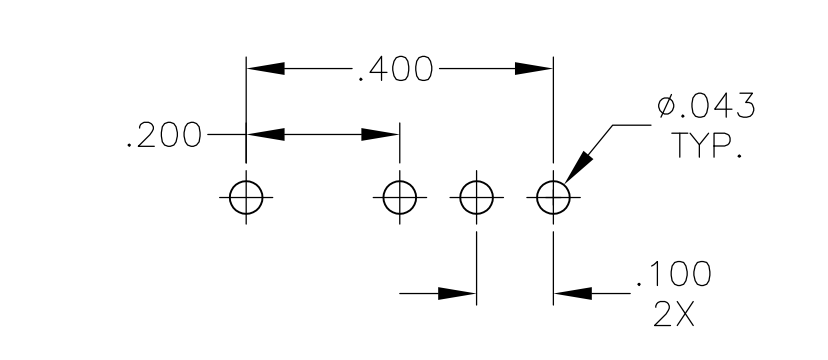
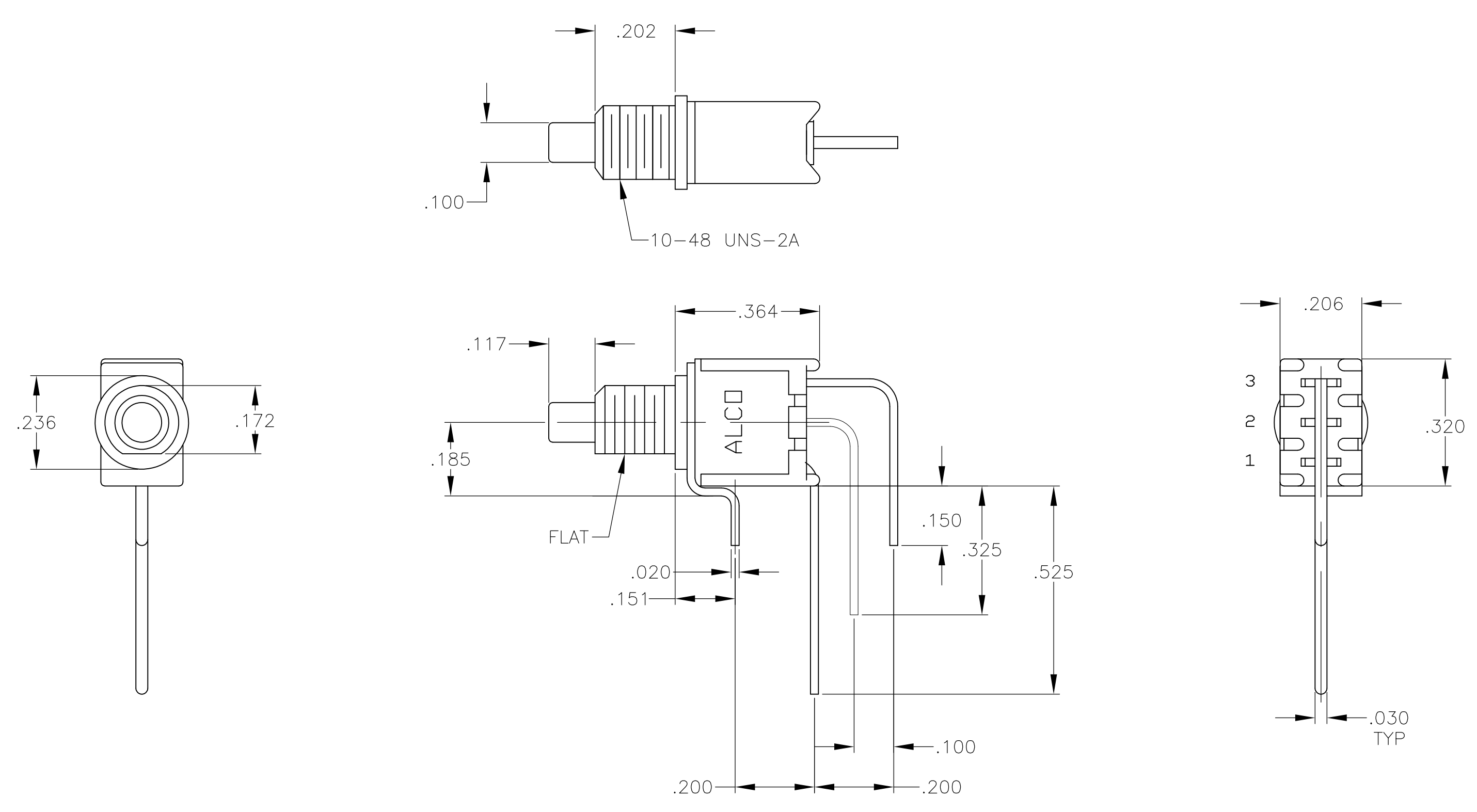
RECOMMENDED PCB LAYOUT  
TOLERANCES +/- .002



RECOMMENDED PANEL LAYOUT

TPC21MGRA

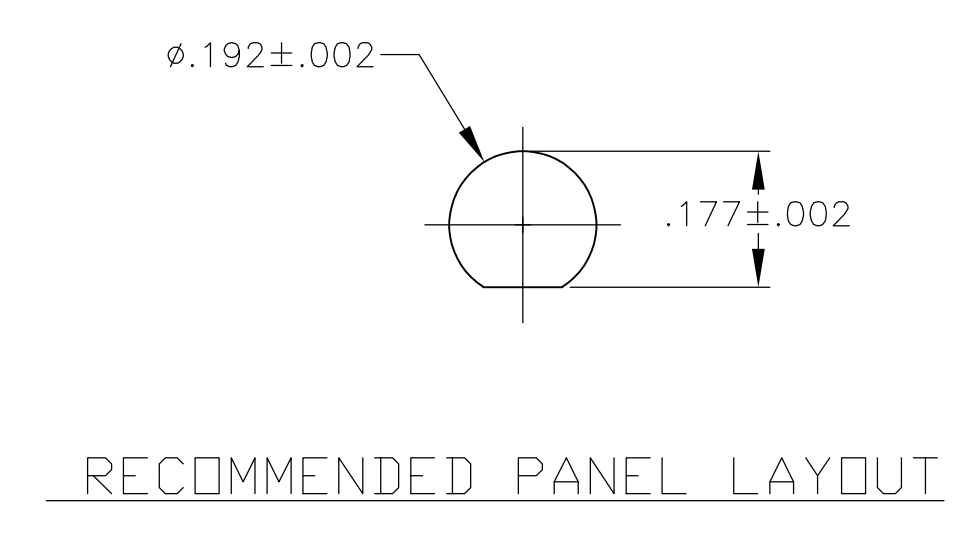
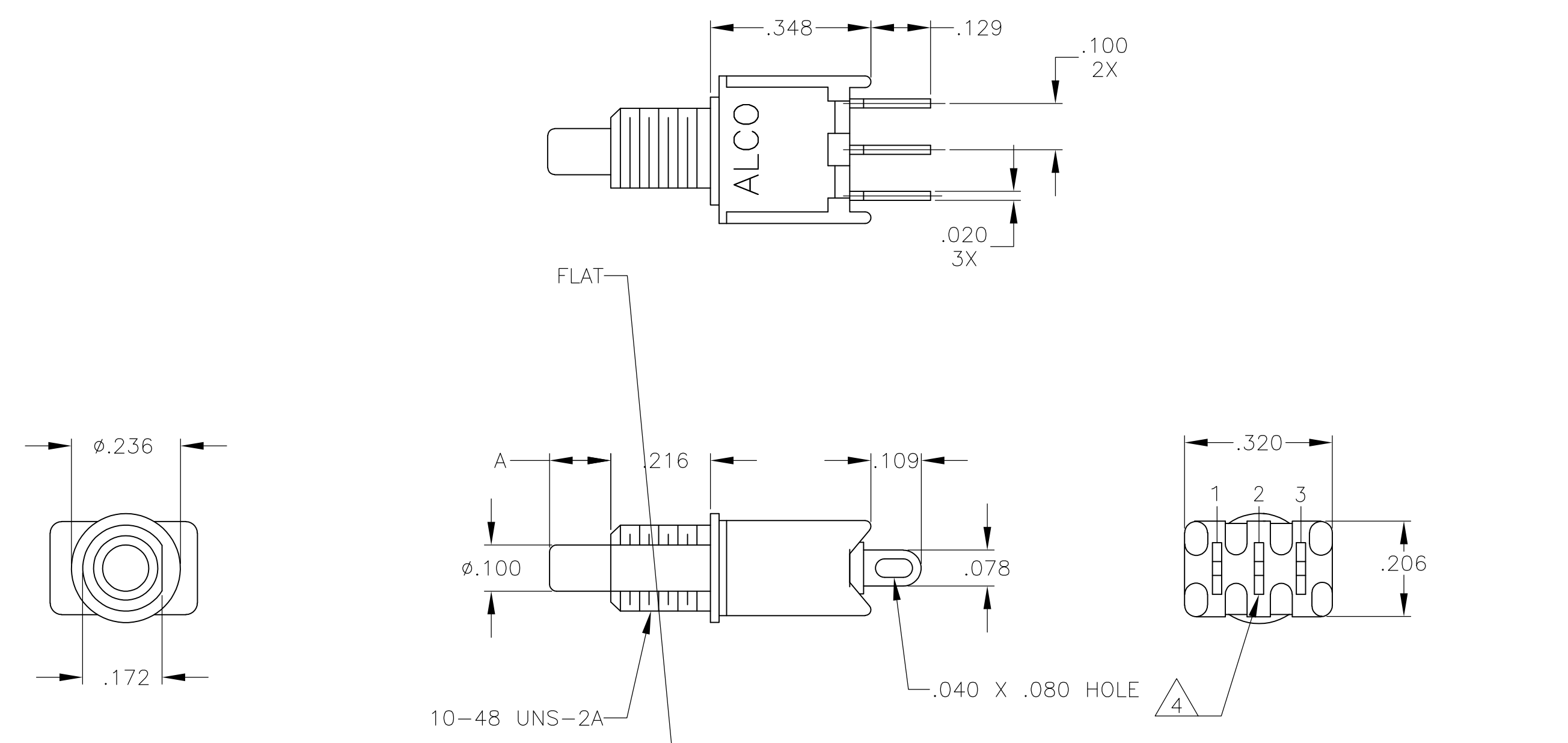
THIS DRAWING IS A CONTROLLED DOCUMENT.		DIN	12-5-05	STE TE Connectivity	
DIMENSIONS: INCHES		CHK	RAGHU	NAME	
TOLERANCES UNLESS OTHERWISE SPECIFIED:		APVD		PRODUCT SPEC	
0. PLC	± .010	APPLICATION SPEC		PUSHBUTTON SWITCH, TPC SERIES	
1. PLC	± .010	SIZE	A1	CAGE CODE	1825098
2. PLC	± .010	WEIGHT		RESTRICTED TO	
3. PLC	± .010	CUSTOMER DRAWING		SCALE	4:1
4. PLC	± .010			SHEET	3 OF 5
ANGLES	± .5°			REV	A1



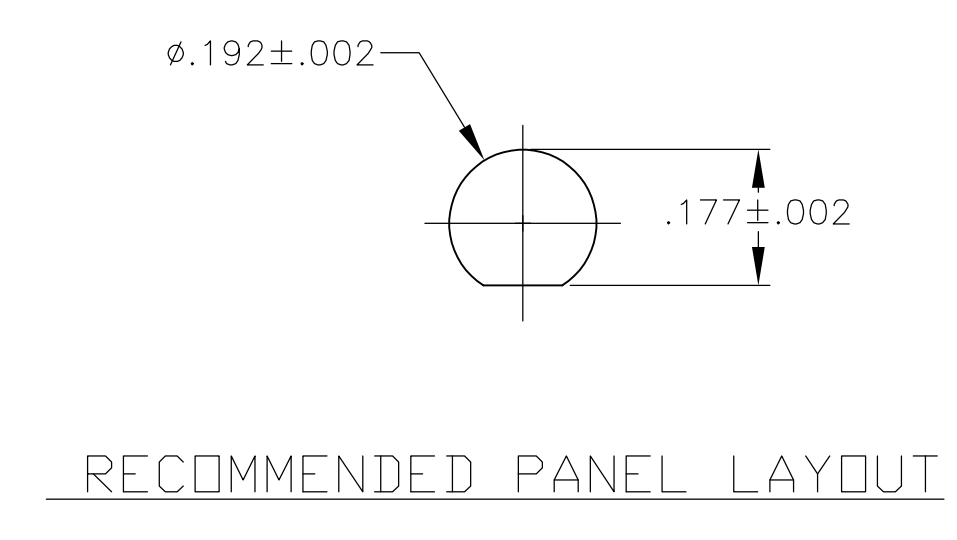
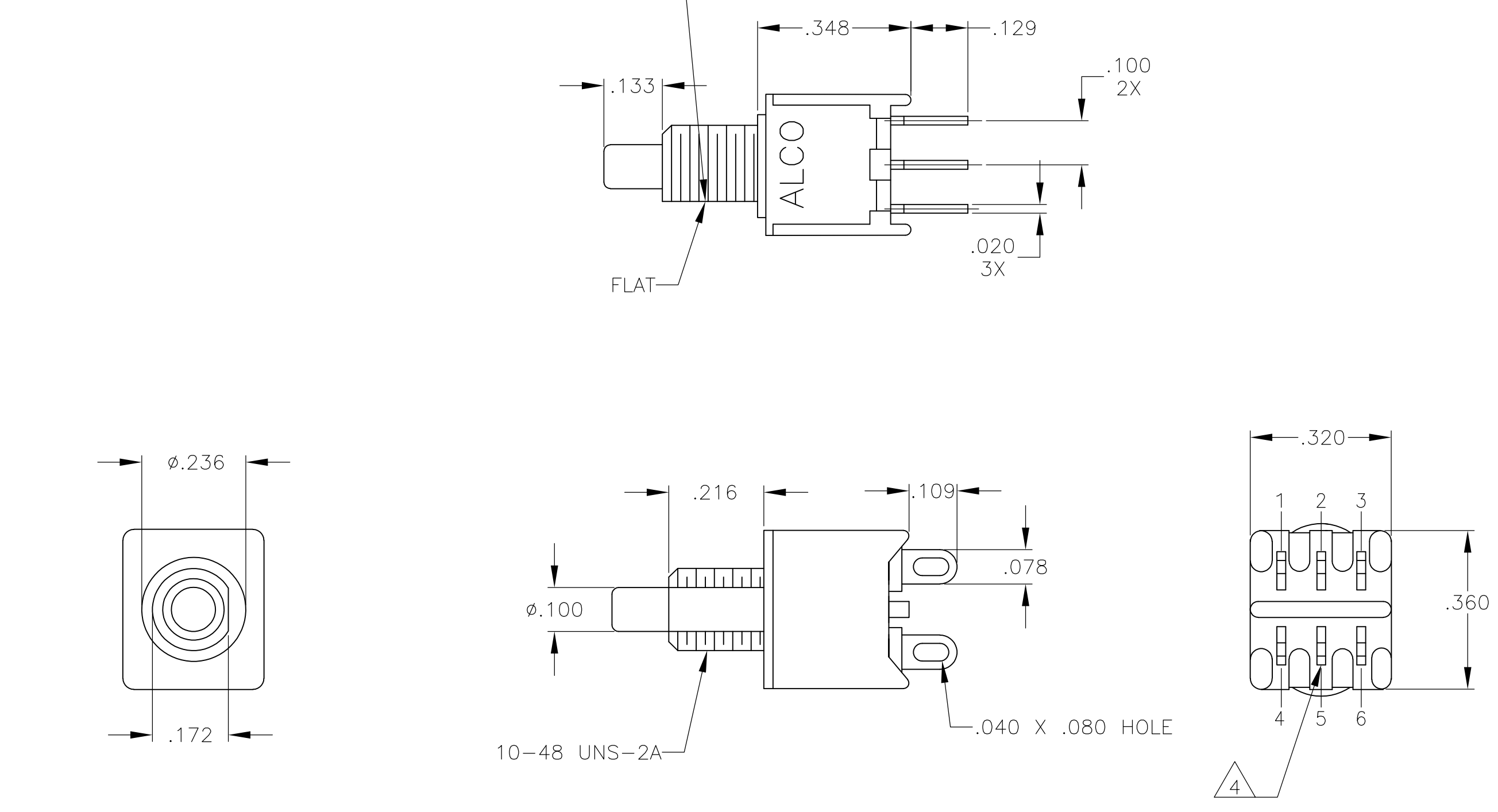
TPC11CGVRA, TPC11FGVRA

THIS DRAWING IS A CONTROLLED DOCUMENT.		DIN	12-5-05	RAGHU	
DIMENSIONS: INCHES		CHK	-	-	
TOLERANCES UNLESS OTHERWISE SPECIFIED:		APVD	-	NAME	
0. PLC	± .010	PRODUCT SPEC	-	PUSHBUTTON SWITCH, TPC SERIES	
1. PLC	± .010	APPLICATION SPEC	-	SIZE	CAGE CODE
2. PLC	± .010	RESTRICTED TO	-	A1	00779
3. PLC	± .010	WEIGHT	-	C=1825098	
4. PLC	± .010	CUSTOMER DRAWING	-	SCALE	4:1
ANGLES	± .5°	SHEET	4	OF	5
MATERIAL	-	REV	A1		

LOC	DIST	REVISIONS			
P	LTR	DESCRIPTION	DATE	DNW	APVD
AD	00	SEE SHEET 1	-	-	-



TPC13C, TPC13F,  
TPCF13C, TPC13F



TPC23M, TPC23R

THIS DRAWING IS A CONTROLLED DOCUMENT.		DIN 12-5-05	RAGHU																															
DIMENSIONS: INCHES		TOLERANCES UNLESS OTHERWISE SPECIFIED:	APVD																															
<table border="1"> <tr><td>0. PLC</td><td>± .010</td></tr> <tr><td>1. PLC</td><td>± .010</td></tr> <tr><td>2. PLC</td><td>± .010</td></tr> <tr><td>3. PLC</td><td>± .010</td></tr> <tr><td>4. PLC</td><td>± .010</td></tr> <tr><td>ANGLES</td><td>± .5°</td></tr> </table>		0. PLC	± .010	1. PLC	± .010	2. PLC	± .010	3. PLC	± .010	4. PLC	± .010	ANGLES	± .5°	<table border="1"> <tr><td>NAME</td><td colspan="2">PUSHBUTTON SWITCH, TPC SERIES</td></tr> <tr><td>PRODUCT SPEC</td><td colspan="2">-</td></tr> <tr><td>APPLICATION SPEC</td><td colspan="2">-</td></tr> <tr><td>SIZE</td><td>CAGE CODE</td><td>DRAWING NO</td></tr> <tr><td>A1</td><td>00779</td><td>1825098</td></tr> <tr><td>WEIGHT</td><td colspan="2">-</td></tr> </table>			NAME	PUSHBUTTON SWITCH, TPC SERIES		PRODUCT SPEC	-		APPLICATION SPEC	-		SIZE	CAGE CODE	DRAWING NO	A1	00779	1825098	WEIGHT	-	
0. PLC	± .010																																	
1. PLC	± .010																																	
2. PLC	± .010																																	
3. PLC	± .010																																	
4. PLC	± .010																																	
ANGLES	± .5°																																	
NAME	PUSHBUTTON SWITCH, TPC SERIES																																	
PRODUCT SPEC	-																																	
APPLICATION SPEC	-																																	
SIZE	CAGE CODE	DRAWING NO																																
A1	00779	1825098																																
WEIGHT	-																																	
MATERIAL		FINISH	CUSTOMER DRAWING																															
SCALE 4:1		SHEET 5 OF 5		REV A1																														

## Данный компонент на территории Российской Федерации

### Вы можете приобрести в компании MosChip.

Для оперативного оформления запроса Вам необходимо перейти по данной ссылке:

<http://moschip.ru/get-element>

Вы можете разместить у нас заказ для любого Вашего проекта, будь то серийное производство или разработка единичного прибора.

В нашем ассортименте представлены ведущие мировые производители активных и пассивных электронных компонентов.

Нашей специализацией является поставка электронной компонентной базы двойного назначения, продукции таких производителей как XILINX, Intel (ex.ALTERA), Vicor, Microchip, Texas Instruments, Analog Devices, Mini-Circuits, Amphenol, Glenair.

Сотрудничество с глобальными дистрибьюторами электронных компонентов, предоставляет возможность заказывать и получать с международных складов практически любой перечень компонентов в оптимальные для Вас сроки.

На всех этапах разработки и производства наши партнеры могут получить квалифицированную поддержку опытных инженеров.

Система менеджмента качества компании отвечает требованиям в соответствии с ГОСТ Р ИСО 9001, ГОСТ РВ 0015-002 и ЭС РД 009

### Офис по работе с юридическими лицами:

105318, г.Москва, ул.Щербаковская д.3, офис 1107, 1118, ДЦ «Щербаковский»

Телефон: +7 495 668-12-70 (многоканальный)

Факс: +7 495 668-12-70 (доб.304)

E-mail: [info@moschip.ru](mailto:info@moschip.ru)

Skype отдела продаж:

moschip.ru

moschip.ru\_4

moschip.ru\_6

moschip.ru\_9