

SERIES 60AR Rugged and Sealed Joystick

FEATURES

- Three-in-One Joystick, Optical Encoder and Pushbutton
- Shaft and panel sealed to IP67 against liquids and particulates
- Choices of knobs, cable length and termination
- Customized solutions available

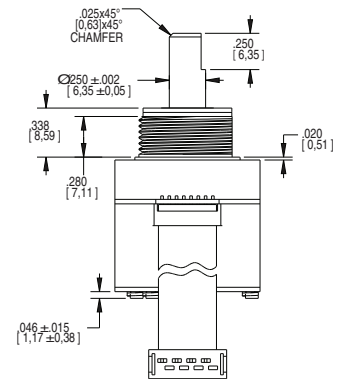
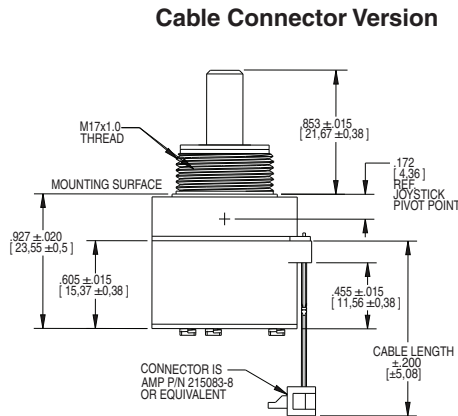
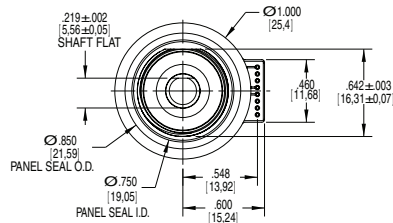
APPLICATIONS

- Aerospace
- Military vehicles and devices
- Mobile electronics for outdoor use



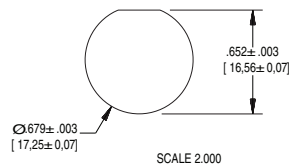
DIMENSIONS in inches (and millimeters)

Unless otherwise specified, standard tolerance are:
 Linear ± .025
 Diameter ± .010
 Angle ± 2.0°

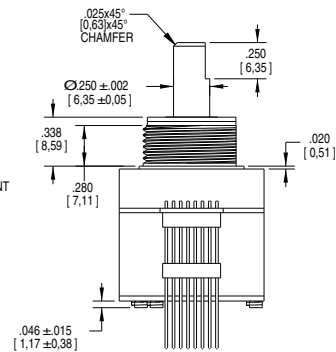
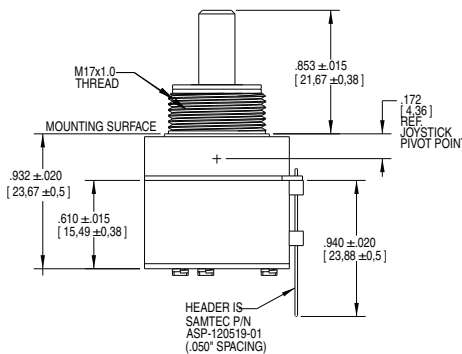


PANEL SEAL GASKET NOT SHOWN TO ILLUSTRATE MOUNTING SURFACE

Recommended Panel Cut Out



Pin Version



PANEL SEAL GASKET NOT SHOWN IN LOWER VIEWS TO ILLUSTRATE MOUNTING SURFACE

ORDERING INFORMATION

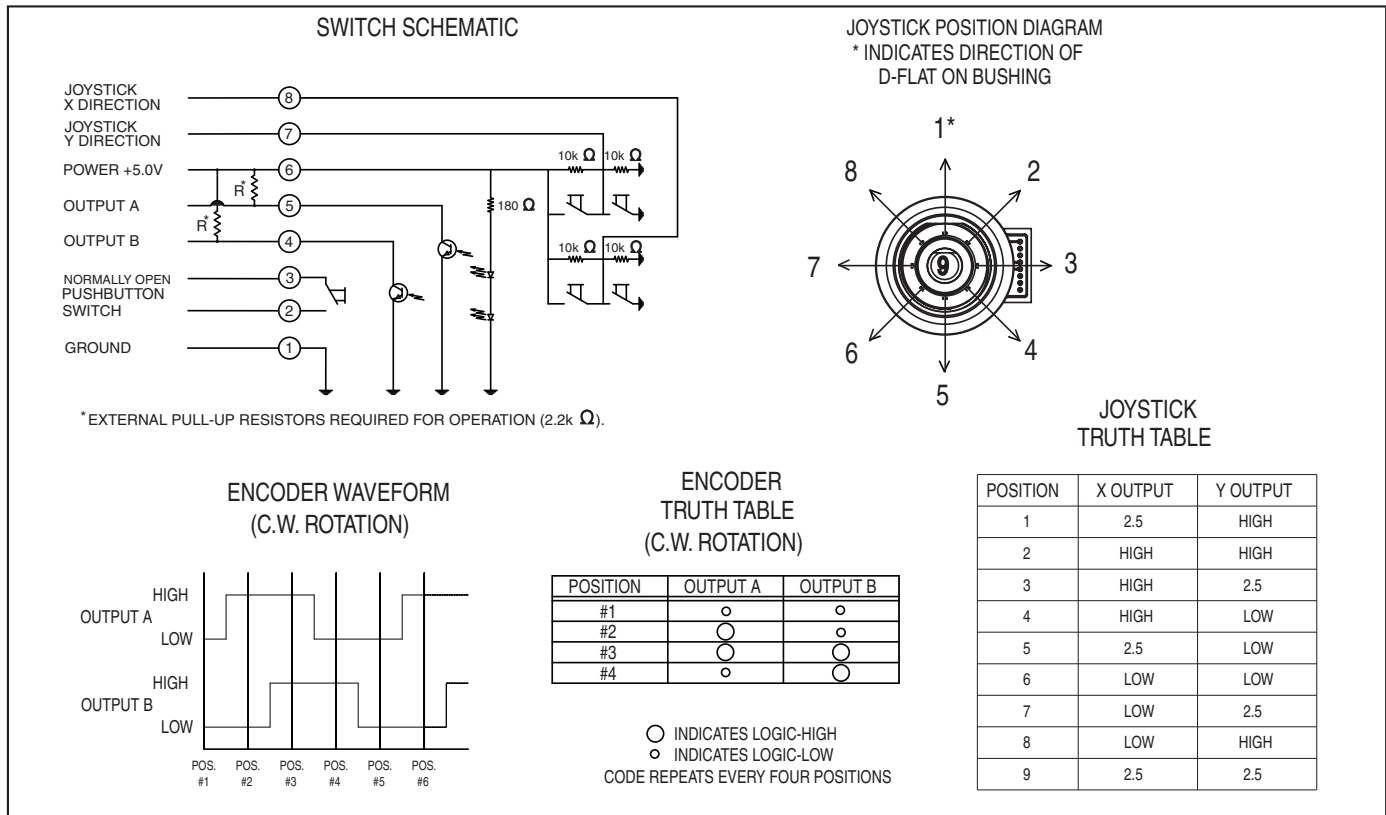
60AR18-4-060S

Angle of Throw: 18= 18° or 20 positions, 08= Non-detent or 20 positions, 00= Non-turn
Joystick: 4= Four contacts & four directions; 8= Four contacts & eight directions

Termination: 0.050" center P= pin header; C= connector; S= stripped cable
Cable Length: 020 thru 250 in 1/2 inch increments, 060= 6.0 inch cable, leave blank if pinned

For prices and custom configurations, contact a local sales office, an authorized distributor, or Grayhill's sales department.

Optical and Mechanical Encoders

JOYSTICK OPERATION + ENCODER WAVEFORM AND TRUTH TABLE Standard Quadrature 2-Bit Code


SPECIFICATIONS

Environmental Specifications

Operating Temperature Range: -40°C to 85°C

Storage Temperature Range: -40°C to 100°C

Humidity: 96 hours at 90-95% humidity at 40°C

Mechanical Vibration: Harmonic motion with amplitude of 15g, within a varied 10 to 2000 Hz frequency for 12 hours

Mechanical shock:

Test 1: 100g for 6Ms half sine wave with velocity change of 12.3 ft/s.

Test 2: 100g for 6 Ms sawtooth wave with velocity change of 9.7 ft/s.

Shaft and panel Seal: IP67, 1 meter submersion for 30 minutes

Joystick Electrical & Mechanical Specifications

Supply Current: 5 Ma, maximum

Output Code: 2-bit

Logic Output Characteristics: Neutral Position: 2.5±0.5 Vdc, High-state Position: >4.5 Vdc, Low-state Position: <0.5 Vdc

Mechanical Life (Joystick): 500k actuations, minimum in each direction

Actuation Force (Joystick): 1500±300g (X&Y directions only)

Angle of Throw: 3.5°+2/1° (X&Y directions only, at electrical contact)

Pushbutton Electrical & Mechanical Specifications

Rating: 10 Ma at 5 Vdc, resistive

Contact Resistance: Less than 10 Ω

Contact Bounce: <4 Ms make, <10 Ms break

Mechanical Life (Pushbutton): 1 million actuations, minimum

Actuation Force (Pushbutton): 1600±400g

Pushbutton Travel: .015±.005 in

Rotary Electrical & Mechanical Specifications

Operating Voltage: 5.00±25 Vdc

Supply Current: 20 Ma, maximum at 5 Vdc

Minimum Sink Current: 2.0 Ma for 5 Vdc

Output: Open collector phototransistor, external pull-up resistors are required

Output Code: 2-bit quadrature, channel "A" leads channel "B" by 90° electrically during clockwise rotation of the shaft

Logic Output Characteristics: Logic-high shall be no less than 3.5 Vdc, Logic-low shall be no greater than 1.0 Vdc

Optical Rise Time: 30 μs, maximum

Optical Fall Time: 30 μs, maximum

Mechanical Life (Rotational): 1 million cycles, minimum (1 cycle is a rotation through all positions and a full return)

Average Rotational Torque: 8.0±30% in-oz, initial

Shaft Push-out Force: 60 lbs, minimum before failure

Shaft Side-load Force: 25 lbs, minimum before failure

Terminal Strength: 15 lbs pull-out force, minimum for cable or header termination

Solderability: 95% free of pin holes or voids

Maximum Rotational Speed: 100 Rpm

Mounting Torque: 15 in-lbs maximum

Specifications are subject to change

Данный компонент на территории Российской Федерации

Вы можете приобрести в компании MosChip.

Для оперативного оформления запроса Вам необходимо перейти по данной ссылке:

<http://moschip.ru/get-element>

Вы можете разместить у нас заказ для любого Вашего проекта, будь то серийное производство или разработка единичного прибора.

В нашем ассортименте представлены ведущие мировые производители активных и пассивных электронных компонентов.

Нашей специализацией является поставка электронной компонентной базы двойного назначения, продукции таких производителей как XILINX, Intel (ex.ALTERA), Vicor, Microchip, Texas Instruments, Analog Devices, Mini-Circuits, Amphenol, Glenair.

Сотрудничество с глобальными дистрибьюторами электронных компонентов, предоставляет возможность заказывать и получать с международных складов практически любой перечень компонентов в оптимальные для Вас сроки.

На всех этапах разработки и производства наши партнеры могут получить квалифицированную поддержку опытных инженеров.

Система менеджмента качества компании отвечает требованиям в соответствии с ГОСТ Р ИСО 9001, ГОСТ РВ 0015-002 и ЭС РД 009

Офис по работе с юридическими лицами:

105318, г.Москва, ул.Щербаковская д.3, офис 1107, 1118, ДЦ «Щербаковский»

Телефон: +7 495 668-12-70 (многоканальный)

Факс: +7 495 668-12-70 (доб.304)

E-mail: info@moschip.ru

Skype отдела продаж:

moschip.ru

moschip.ru_4

moschip.ru_6

moschip.ru_9