

HOLD DOWN TYPE



FCIconnect.com

Copyright FCI

mat'l. code				surface 58/ISO 1302		tolerance ISO 406 ISO		projection 101		product family PCI_EXPRESS		
ltr	ecn no	dr	date	tolerances unless otherwise specified		angles linear		MM		title		
A	T04-0004	RC	02/05/'07							PCI_EXPRESS_CARD_EDGE		
B	T07-1083	RC	05/25/'07							POST-FREE_ASSEMBLY(SMT)		
C	DG-007885	HT	11/14/'11	0'±2'				scale 1		dwg no sheet 1 of 6 size		
D	DG-009560	HT	01/16/'12	dr RICHARD_CHIU		01/30/'07		FCI		10076266 A4		
E	ELX-DG-13973	WL	01/31/'13	enr RICHARD_CHIU		01/30/'07				type CUSTOMER Drawing		
				chr PAUL_WANG		01/30/'07						
				app JOSEPH_HSIA		01/30/'07						
sheet index	revision sheet	E	A	A	E	A	A					
		1	2	3	4	5	6					



← I/O PANEL DIRECTION
PRIMARY (COMPONENT) SIDE



I/O PANEL DIRECTION →
SECONDARY (SOLDER) SIDE



#	POS	REF.	N	DIM "G"	DIM "F"	"F"
36	6		8.15	6.00	B17	
64	20		22.15	20.00	B31	
98	37		39.15	37.00	B48	
164	70		72.15	70.00	B81	

PIN "F" SEE TABLE

PIN "F" SEE TABLE

ADD-IN CARD EDGE-FINGER DIMENSIONS

mat'l. code				surface 58		tolerance		projection		product family	
-				ISO 1302 ✓		ISO 406 ISO 101				PCI_EXPRESS	
ltr				ecn no		dr		date		title	
A				-		-		-		PCI_EXPRESS_CARD_EDGE POST-FREE_ASSEMBLY(SMT)	
				angles		linear		MM			
				0°±2'		.XX±.13					
						XXX±.05		scale 2			
				dr		RICHARD_CHIU		1/30/'07		dwg no	
				engr		RICHARD_CHIU		1/30/'07		sheet 2 of 6	
				chr		PAUL_WANG		1/30/'07		size	
				app		JOSEPH_HSIA		1/30/'07		A4	
sheet index		revision		A						type	
		sheet		2						CUSTOMER Drawing	



Copyright FCI

FCIconnect.com

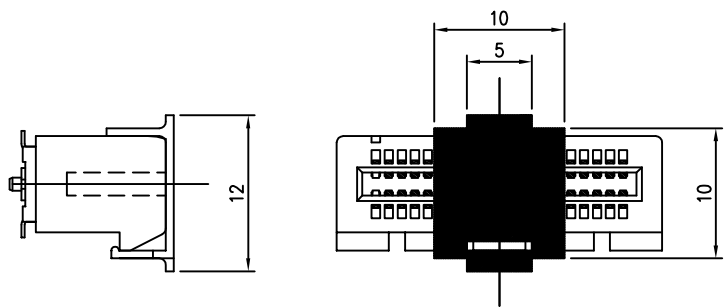




RECOMMENDED PCB LAYOUT, PAD TYPE

DIMENSIONS							
POSITION	A	B ± 0.15 ± 0.05	C ± 0.20	D ± 0.23	E ± 0.20	H ± 0.10	J
36	6.00	7.65	9.15	25.00	27.00	28.00	6.00
64	20.00	21.65	23.15	39.00	41.00	42.00	20.00
98	37.00	38.65	40.15	56.00	58.00	59.00	37.00
164	70.00	71.65	73.15	89.00	91.00	92.00	70.00

POSITION OF CAP



FCI
FCIconnect.com

Copyright FCI

mat'l. code				surface 58		tolerance		projection		product family			
-				ISO 1302		ISO 406 ISO 1101				PCI_EXPRESS			
ltr	ecn no	dr	date	tolerances unless otherwise specified						title			
A	-	-	-	angles		.X \pm .2		MM		PCI_EXPRESS_CARD_EDGE			
				linear		.XX \pm .13				POST-FREE_ASSEMBLY(SMT)			
				0 \pm 2'		XXX \pm .05		scale 2		dwg no		sheet 3 of 6	size
				dr	RICHARD_CHIU	1/30/'07			10076266		A4		
				engr	RICHARD_CHIU	1/30/'07			type		CUSTOMER Drawing		
				chr	PAUL_WANG	1/30/'07							
				appd	JOSEPH_HSIA	1/30/'07							
sheet index	revision sheet	A	3										

NOTES:

- 1.MATERIAL:
 - HOUSING: NYLON, GLASS FILLED UL94V-0 RATE, SUITABLE FOR IR SOLDERING.
 - TERMINAL: COPPER ALLOY
 - PLATING: 50u" NICKEL UNDERPLATE ALL OVER
CONTACT AREA PLATING - SEE PRODUCT NUMBER CODE
SOLDER TAIL: TIN 100u" OVER 50u" NICKEL
 - METAL PADS: COPPER ALLOY
FINISH: 100u" TIN OVER 50u" NICKEL
- 2.PRODUCT SPECIFICATION: GS-12-390
- ③THE HORIZONTAL AXIS FOR THE PAD PATTERN IS ESTABLISHED BY THE CENTER LINE OF THE PAD LENGTH.
THE VERTICAL AXIS IS 90° TO THE HORIZONTAL AXIS, THROUGH THE CENTER OF DATUM [Z-]
- ④NO TIE BAR PERMITTED FROM CARD EDGE TO LEADING EDGE OF PAD FOR PINS A1.
- ⑤CHAMFER EDGES MUST BE FREE OF CUTTING BURRS.
- 7.RoHS COMPATIBLE PRODUCT SPECIFICATIONS
 - a - PLATING:
 - "LF" MEANS THE PRODUCT IS LEAD-FREE, 2um MINIMUM MATTE TIN OVER 1.27um MINIMUM NICKEL UNDERPLATE.
 - b - MANUFACTURING PROCESS COMPATIBILITY
 - THE HOUSING WILL WITHSTAND EXPOSURE TO 260°C±5°C PEAK TEMPERATURE FOR 5 SECONDS IN A CONVECTION, INFRA-RED OR VAPOR PHASE REFLOW OVEN.

PRODUCT NUMBER CODE

10076266 -X X X X L F

HOUSING COLOR OPTIONS
1-BLACK

LEAD FREE

PACKAGING OPTIONS

- T-TRAY PACKAGING WITHOUT CAP
- R-TAPE & REEL PACKING WITHOUT CAP (FOR 36P&64P OPTIONS ONLY)
- P-TAPE & REEL PACKING WITH CAP (FOR 36P&64P OPTIONS ONLY)
- C-TRAY PACKAGING WITH CAP
- M-TAPE&REEL WITH MYLAR(36P&64P OPTION ONLY)
- F-HARD TRAY PACKAGING WITH CAP (164P ONLY)

TERMINAL PLATING OPTIONS

- 0-50u" Ni UNDERPLATE
30u" Au CONTACT AREA
100u" TIN TAIL AREA ----- COMPATIBLE RoHS
- 1-50u" Ni UNDERPLATE
15u" Au CONTACT AREA
100u" TIN TAIL AREA ----- COMPATIBLE RoHS
- 2-50u" Ni UNDERPLATE
GOLD FLASH CONTACT AREA
100u" TIN TAIL AREA ----- COMPATIBLE RoHS

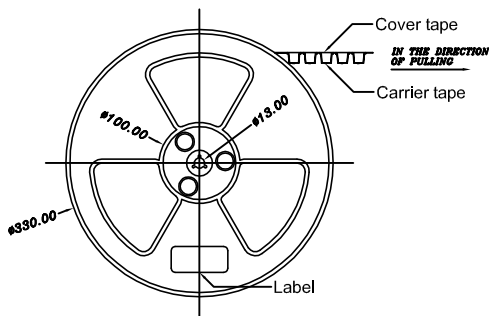
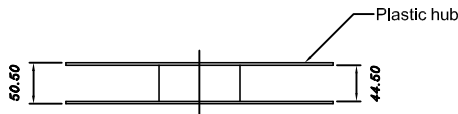
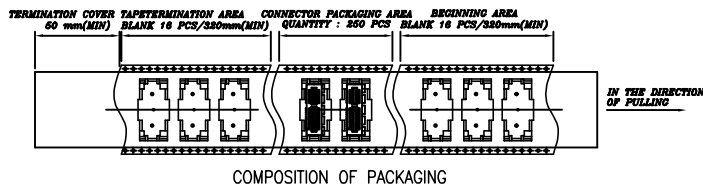
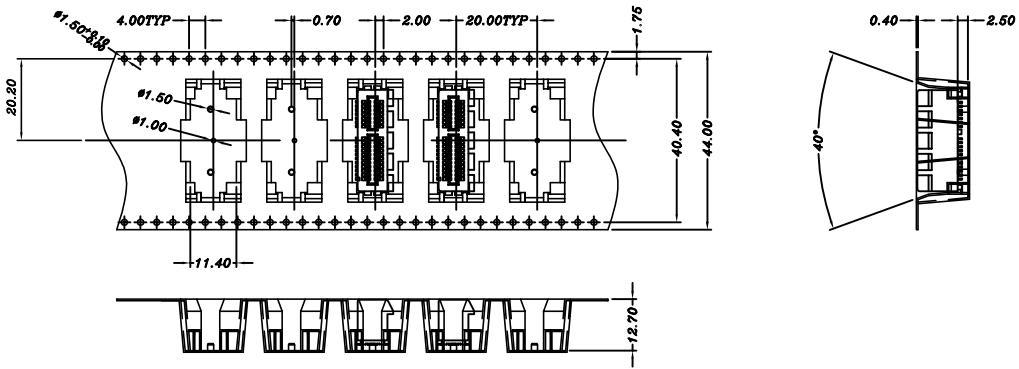
POS OPTIONS

- 0-36
- 1-64
- 2-98
- 3-164



Copyright FCI

mat'l. code				surface 58/ISO 1302 ✓		tolerance ISO 406 ISO		projection 101		product family PCI_EXPRESS			
ltr	ecn no	dr	date	tolerances unless otherwise specified				MM		title			
E	-	-	-	angles	linear	.X±.2		MM		PCI_EXPRESS_CARD_EDGE			
				0°±2'		.XX±.13		←→		POST-FREE_ASSEMBLY(SMT)			
				dr	RICHARD_CHIU	1/30/'07				dwg no		sheet 4 of 6	size
				enr	RICHARD_CHIU	1/30/'07				10076266		A4	
				chr	PAUL_WANG	1/30/'07							
				app	JOSEPH_HSIA	1/30/'07							
sheet index		revision sheet	C 4										



TAPE AND REEL
PACKING
RECOMMENDED FOR
36PINS ONLY

mat'l. code				surface 58		tolerance		projection		product family	
-				ISO 1302		ISO 406 ISO 101				PCI_EXPRESS	
ltr	ecn no	dr	date	tolerances unless otherwise specified				title			
A	-	-	-	angles	.X±.3		MM		PCI_EXPRESS_CARD_EDGE		
				linear	.XX±.20		←→		POST-FREE_ASSEMBLY(SMT)		
				0°±2'	XXX±.10		scale 1		dwg no sheet 5 of 6 size		
				dr	RICHARD_CHIU 1/30/'07				10076266 A4		
				engr	RICHARD_CHIU 1/30/'07				type CUSTOMER Drawing		
				chr	PAUL_WANG 1/30/'07						
				appd	JOSEPH_HSIA 1/30/'07						
sheet index	revision sheet	A	5								

1 For PCI EXPRESS SMT TYPE 36P ONLY.

2. Material :

- 2.1 Reel :
 - 2.1.1 Plastic hub : High Impact Polystyrene
 - 2.1.2 Cover tape : PE
 - 2.1.3 Carrier tape : ABS
- 2.2 Waterproof bag : PE
- 2.3 Desiccative : Silica Gel
- 2.4 Carton : Corrugated paper
- 2.5 Baffle : E.P.E
- 2.6 Angle paperboard : Corrugated paper

3. Dimension :

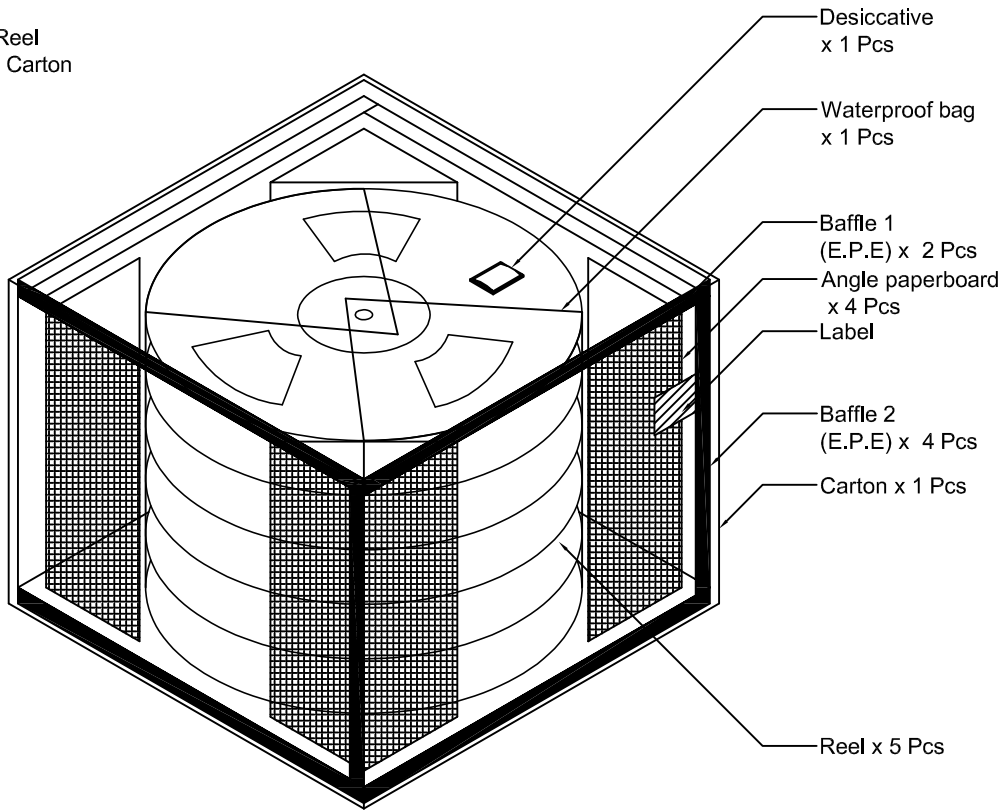
- 3.1 Reel :
 - 3.1.1 Plastic hub : $\phi 330 \times T50.5$ mm
 - 3.1.2 Cover tape : $5690(L) \times 37.4(W)$ mm
 - 3.1.3 Carrier tape : $5640(L) \times 44(W)$ mm
- 3.2 Waterproof bag : $600(H) \times 465(W) \times 0.06(T)$ mm
- 3.3 Desiccative : 25 gram / Package
- 3.4 Carton : $380(L) \times 380(W) \times 300(H)$ mm
- 3.5 Baffle (1): $370(L) \times 370(W) \times 15(H)$ mm
- 3.6 Baffle (2): $355(L) \times 252(W) \times 15(H)$ mm
- 3.7 Angle paperboard : 252(H)

4. Quantity :

- 4.1 250 Pcs / Reel
- 4.2 1250 Pcs / Carton

5. Weight :

- 5.1 NW :
- 5.2 G/W :



A A
B B
C C



mat'l. code		surface 58		tolerance		projection		product family		
-		ISO 1302 <input checked="" type="checkbox"/>		ISO 406 ISO 1101				PCI_EXPRESS		
ltr	ecn no	dr	date	tolerances unless otherwise specified				title		
A	-	-	-	angles	.X \pm .3	MM		PCI_EXPRESS_CARD_EDGE		
				linear	.XX \pm .20			POST-FREE_ASSEMBLY(SMT)		
				0'±2'	XXX±.10	scale 1		dwg no sheet 6 of 6 size		
				dr	RICHARD_CHIU	1/30/'07		10076266 A4		
				engr	RICHARD_CHIU	1/30/'07		type CUSTOMER Drawing		
				chr	PAUL_WANG	1/30/'07				
				appd	JOSEPH_HSIA	1/30/'07				
sheet index	revision sheet	A	6							D

Данный компонент на территории Российской Федерации

Вы можете приобрести в компании MosChip.

Для оперативного оформления запроса Вам необходимо перейти по данной ссылке:

<http://moschip.ru/get-element>

Вы можете разместить у нас заказ для любого Вашего проекта, будь то серийное производство или разработка единичного прибора.

В нашем ассортименте представлены ведущие мировые производители активных и пассивных электронных компонентов.

Нашей специализацией является поставка электронной компонентной базы двойного назначения, продукции таких производителей как XILINX, Intel (ex.ALTERA), Vicor, Microchip, Texas Instruments, Analog Devices, Mini-Circuits, Amphenol, Glenair.

Сотрудничество с глобальными дистрибьюторами электронных компонентов, предоставляет возможность заказывать и получать с международных складов практически любой перечень компонентов в оптимальные для Вас сроки.

На всех этапах разработки и производства наши партнеры могут получить квалифицированную поддержку опытных инженеров.

Система менеджмента качества компании отвечает требованиям в соответствии с ГОСТ Р ИСО 9001, ГОСТ РВ 0015-002 и ЭС РД 009

Офис по работе с юридическими лицами:

105318, г.Москва, ул.Щербаковская д.3, офис 1107, 1118, ДЦ «Щербаковский»

Телефон: +7 495 668-12-70 (многоканальный)

Факс: +7 495 668-12-70 (доб.304)

E-mail: info@moschip.ru

Skype отдела продаж:

moschip.ru

moschip.ru_4

moschip.ru_6

moschip.ru_9