

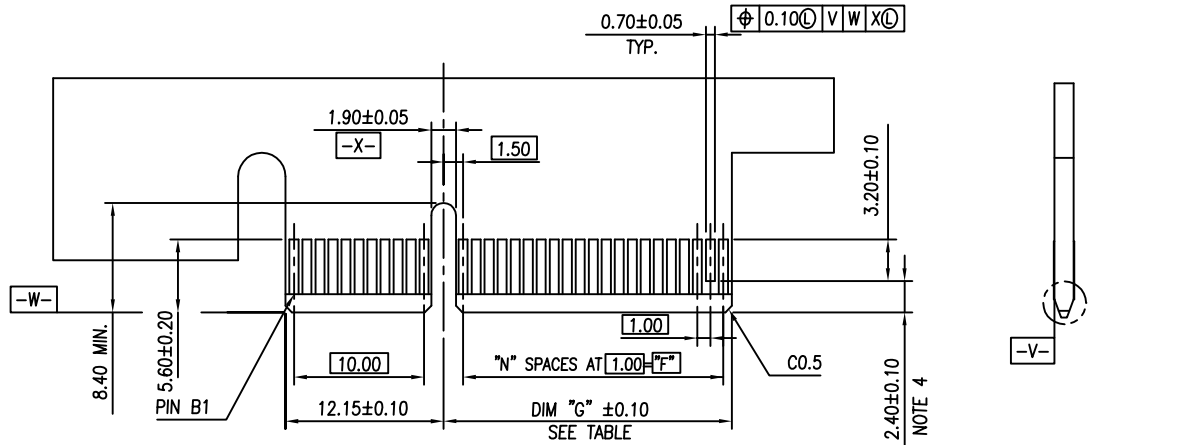
HOLD DOWN TYPE



FCIconnect.com

Copyright FCI

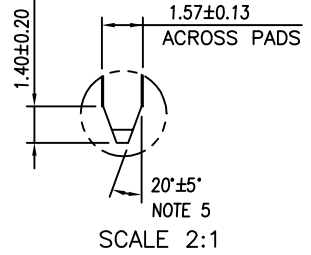
mat'l. code				surface 58/ISO 1302		tolerance ISO 406 ISO		projection 101		product family PCI_EXPRESS		
-				✓				MM		title		
ltr	ecn no	dr	date	tolerances unless otherwise specified		angles linear		.X±.3		PCI_EXPRESS_CARD_EDGE POST-FREE_ASSEMBLY(SMT)		
A	T04-0004	RC	02/05/'07					.XX±.20		dwg no sheet 1 of 6 size		
B	T07-1083	RC	05/25/'07	0'±2'				XXX±.10		10076266		A4
C	DG-007885	HT	11/14/'11	dr RICHARD_CHIU		01/30/'07		scale 1		type CUSTOMER Drawing		
D	DG-009560	HT	01/16/'12	enr RICHARD_CHIU		01/30/'07		FCI				
E	ELX-DG-13973	WL	01/31/'13	chr PAUL_WANG		01/30/'07						
				app JOSEPH_HSIA		01/30/'07						
sheet index	revision sheet	E	A	A	E	A	A					
		1	2	3	4	5	6					



← I/O PANEL DIRECTION
PRIMARY (COMPONENT) SIDE



I/O PANEL DIRECTION →
SECONDARY (SOLDER) SIDE



#	POS	REF.	N	DIM "G"	DIM "F"	"F"
36	6		8.15	6.00	B17	
64	20		22.15	20.00	B31	
98	37		39.15	37.00	B48	
164	70		72.15	70.00	B81	

ADD-IN CARD EDGE-FINGER DIMENSIONS

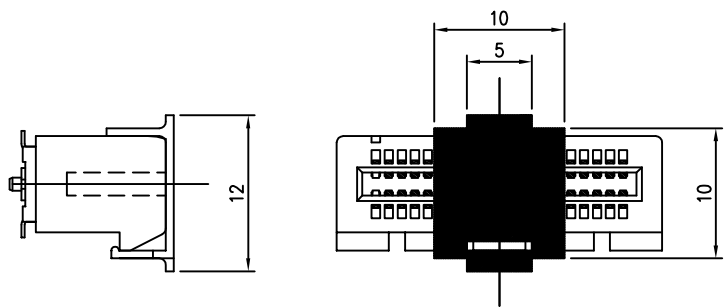
mat'l. code				surface 58		tolerance		projection		product family	
-				ISO 1302 ✓		ISO 406 ISO 101				PCI_EXPRESS	
ltr				ecn no		dr		date		title	
A				-		-		-		PCI_EXPRESS_CARD_EDGE POST-FREE_ASSEMBLY(SMT)	
				angles		linear		MM			
				0°±2'		.XX±.13					
						XXX±.05		scale 2			
				dr		RICHARD_CHIU 1/30/'07		dwg no		sheet 2 of 6	
				engr		RICHARD_CHIU 1/30/'07		10076266		size	
				chr		PAUL_WANG 1/30/'07				A4	
				app		JOSEPH_HSIA 1/30/'07		type		CUSTOMER Drawing	
sheet index		revision sheet		A		2					



RECOMMENDED PCB LAYOUT, PAD TYPE

DIMENSIONS							
POSITION	A	B ± 0.15 ± 0.05	C ± 0.20	D ± 0.23	E ± 0.20	H ± 0.10	J
36	6.00	7.65	9.15	25.00	27.00	28.00	6.00
64	20.00	21.65	23.15	39.00	41.00	42.00	20.00
98	37.00	38.65	40.15	56.00	58.00	59.00	37.00
164	70.00	71.65	73.15	89.00	91.00	92.00	70.00

POSITION OF CAP



FCI
FCIconnect.com

Copyright FCI

mat'l. code				surface 58		tolerance		projection		product family			
-				ISO 1302		ISO 406 ISO 1101				PCI_EXPRESS			
ltr	ecn no	dr	date	tolerances unless otherwise specified						title			
A	-	-	-	angles		.X \pm .2		MM		PCI_EXPRESS_CARD_EDGE			
				linear		.XX \pm .13				POST-FREE_ASSEMBLY(SMT)			
				0 \pm 2'		XXX \pm .05		scale 2		dwg no		sheet 3 of 6	size
				dr	RICHARD_CHIU	1/30/'07			10076266		A4		
				engr	RICHARD_CHIU	1/30/'07			type		CUSTOMER Drawing		
				chr	PAUL_WANG	1/30/'07							
				appd	JOSEPH_HSIA	1/30/'07							
sheet index	revision sheet	A	3										

NOTES:

1.MATERIAL:

HOUSING: NYLON, GLASS FILLED UL94V-0 RATE, SUITABLE FOR IR SOLDERING.

TERMINAL: COPPER ALLOY

PLATING: 50u" NICKEL UNDERPLATE ALL OVER
CONTACT AREA PLATING - SEE PRODUCT NUMBER CODE
SOLDER TAIL: TIN 100u" OVER 50u" NICKEL

METAL PADS: COPPER ALLOY
FINISH: 100u" TIN OVER 50u" NICKEL

2.PRODUCT SPECIFICATION: GS-12-390

③THE HORIZONTAL AXIS FOR THE PAD PATTERN IS ESTABLISHED BY THE CENTER LINE OF THE PAD LENGTH.
THE VERTICAL AXIS IS 90° TO THE HORIZONTAL AXIS, THROUGH THE CENTER OF DATUM [Z-]

④NO TIE BAR PERMITTED FROM CARD EDGE TO LEADING EDGE OF PAD FOR PINS A1.

⑤CHAMFER EDGES MUST BE FREE OF CUTTING BURRS.

7.RoHS COMPATIBLE PRODUCT SPECIFICATIONS

a - PLATING:

- "LF" MEANS THE PRODUCT IS LEAD-FREE, 2um MINIMUM MATTE TIN OVER 1.27um MINIMUM NICKEL UNDERPLATE.

b - MANUFACTURING PROCESS COMPATIBILITY

- THE HOUSING WILL WITHSTAND EXPOSURE TO 260°C±5°C PEAK TEMPERATURE FOR 5 SECONDS IN A CONVECTION, INFRA-RED OR VAPOR PHASE REFLOW OVEN.

PRODUCT NUMBER CODE

10076266 -X X X X L F

HOUSING COLOR OPTIONS

1-BLACK

LEAD FREE

PACKAGING OPTIONS

- T-TRAY PACKAGING WITHOUT CAP
- R-TAPE & REEL PACKING WITHOUT CAP (FOR 36P&64P OPTIONS ONLY)
- P-TAPE & REEL PACKING WITH CAP (FOR 36P&64P OPTIONS ONLY)
- C-TRAY PACKAGING WITH CAP
- M-TAPE&REEL WITH MYLAR(36P&64P OPTION ONLY)
- F-HARD TRAY PACKAGING WITH CAP (164P ONLY)

TERMINAL PLATING OPTIONS

- 0-50u" Ni UNDERPLATE
- 30u" Au CONTACT AREA
- 100u" TIN TAIL AREA ----- COMPATIBLE RoHS
- 1-50u" Ni UNDERPLATE
- 15u" Au CONTACT AREA
- 100u" TIN TAIL AREA ----- COMPATIBLE RoHS
- 2-50u" Ni UNDERPLATE
- GOLD FLASH CONTACT AREA
- 100u" TIN TAIL AREA ----- COMPATIBLE RoHS

POS OPTIONS

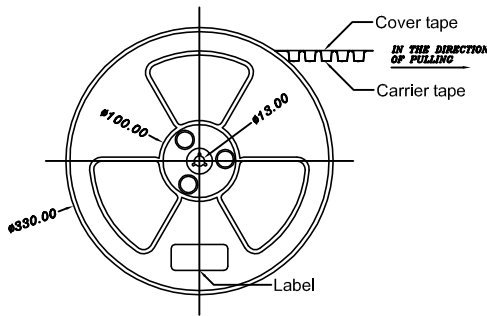
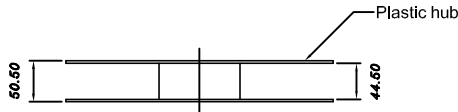
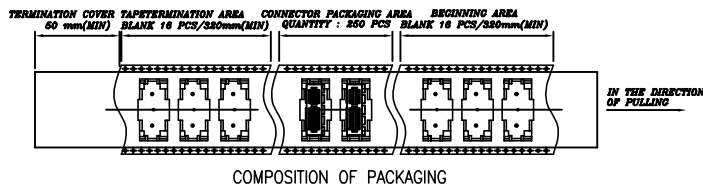
- 0-36
- 1-64
- 2-98
- 3-164



FCIconnect.com

Copyright FCI

mat'l. code				surface 58/ISO 1302		tolerance ISO 406 ISO		projection		product family			
-				ISO 1302		ISO 406 ISO		101		PCI_EXPRESS			
ltr	ecn no	dr	date	tolerances unless otherwise specified				title					
E	-	-	-	angles		linear		MM		PCI_EXPRESS_CARD_EDGE			
				0°±2'				scale 2		POST-FREE_ASSEMBLY(SMT)			
				dr	RICHARD_CHIU	1/30/'07	FCI		dwg no		sheet 4 of 6		size
				engr	RICHARD_CHIU	1/30/'07			10076266				A4
				chr	PAUL_WANG	1/30/'07							
				app	JOSEPH_HSIA	1/30/'07							
sheet index	revision sheet	C	4										



TAPE AND REEL
PACKING
RECOMMENDED FOR
36PINS ONLY

mat'l. code				surface 58		tolerance		projection		product family		
-				ISO 1302		ISO 406 ISO 101				PCI_EXPRESS		
ltr	ecn no	dr	date	tolerances unless otherwise specified				title				
A	-	-	-	angles		.X±.3		MM		PCI_EXPRESS_CARD_EDGE		
				linear		.XX±.20		←→		POST-FREE_ASSEMBLY(SMT)		
				0°±2'		XXX±.10		scale 1		dwg no sheet 5 of 6 size		
				dr	RICHARD_CHIU	1/30/'07			10076266		A4	
				engr	RICHARD_CHIU	1/30/'07			type		CUSTOMER Drawing	
				chr	PAUL_WANG	1/30/'07						
				appd	JOSEPH_HSIA	1/30/'07						
sheet index	revision sheet	A	5									

1 For PCI EXPRESS SMT TYPE 36P ONLY.

2. Material :

- 2.1 Reel :
 - 2.1.1 Plastic hub : High Impact Polystyrene
 - 2.1.2 Cover tape : PE
 - 2.1.3 Carrier tape : ABS
- 2.2 Waterproof bag : PE
- 2.3 Desiccative : Silica Gel
- 2.4 Carton : Corrugated paper
- 2.5 Baffle : E.P.E
- 2.6 Angle paperboard : Corrugated paper

3. Dimension :

- 3.1 Reel :
 - 3.1.1 Plastic hub : $\phi 330 \times T50.5$ mm
 - 3.1.2 Cover tape : $5690(L) \times 37.4(W)$ mm
 - 3.1.3 Carrier tape : $5640(L) \times 44(W)$ mm
- 3.2 Waterproof bag : $600(H) \times 465(W) \times 0.06(T)$ mm
- 3.3 Desiccative : 25 gram / Package
- 3.4 Carton : $380(L) \times 380(W) \times 300(H)$ mm
- 3.5 Baffle (1): $370(L) \times 370(W) \times 15(H)$ mm
- 3.6 Baffle (2): $355(L) \times 252(W) \times 15(H)$ mm
- 3.7 Angle paperboard : $252(H)$

4. Quantity :

- 4.1 250 Pcs / Reel
- 4.2 1250 Pcs / Carton

5. Weight :

- 5.1 NW :
- 5.2 G/W :



A A
B B
C C



mat'l. code		surface 58		tolerance		projection		product family			
-		ISO 1302 <input checked="" type="checkbox"/>		ISO 406 ISO 1101				PCI_EXPRESS			
ltr	ecn no	dr	date	tolerances unless otherwise specified				title			
A	-	-	-	angles	linear	MM		PCI_EXPRESS_CARD_EDGE POST-FREE_ASSEMBLY(SMT)			
				$0^{\circ} \pm 2'$	$.X \pm .3$			dwg no			
					$.XX \pm .20$	scale 1		sheet 6 of 6			
				dr	RICHARD_CHIU	1/30/'07		size			
				engr	RICHARD_CHIU	1/30/'07		10076266			
				chr	PAUL_WANG	1/30/'07		A4			
				appd	JOSEPH_HSIA	1/30/'07		type			
sheet index		revision	A							CUSTOMER Drawing	
		sheet	6								

Copyright FCI

D D

Данный компонент на территории Российской Федерации

Вы можете приобрести в компании MosChip.

Для оперативного оформления запроса Вам необходимо перейти по данной ссылке:

<http://moschip.ru/get-element>

Вы можете разместить у нас заказ для любого Вашего проекта, будь то серийное производство или разработка единичного прибора.

В нашем ассортименте представлены ведущие мировые производители активных и пассивных электронных компонентов.

Нашей специализацией является поставка электронной компонентной базы двойного назначения, продукции таких производителей как XILINX, Intel (ex.ALTERA), Vicor, Microchip, Texas Instruments, Analog Devices, Mini-Circuits, Amphenol, Glenair.

Сотрудничество с глобальными дистрибьюторами электронных компонентов, предоставляет возможность заказывать и получать с международных складов практически любой перечень компонентов в оптимальные для Вас сроки.

На всех этапах разработки и производства наши партнеры могут получить квалифицированную поддержку опытных инженеров.

Система менеджмента качества компании отвечает требованиям в соответствии с ГОСТ Р ИСО 9001, ГОСТ РВ 0015-002 и ЭС РД 009

Офис по работе с юридическими лицами:

105318, г.Москва, ул.Щербаковская д.3, офис 1107, 1118, ДЦ «Щербаковский»

Телефон: +7 495 668-12-70 (многоканальный)

Факс: +7 495 668-12-70 (доб.304)

E-mail: info@moschip.ru

Skype отдела продаж:

moschip.ru

moschip.ru_4

moschip.ru_6

moschip.ru_9