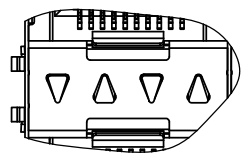
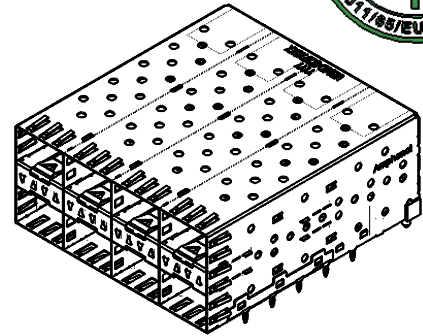
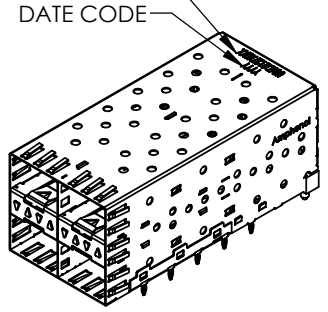




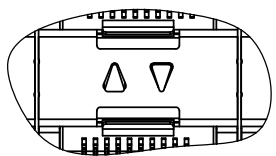
REVISIONS				
REV.	ECN	DESCRIPTION	DATE	APPROVED
A		PROPOSAL	MAR.27.14	J.SI

PART NUMBER
(LAST DIGIT INDICATING
PACKAGING TYPE, NOT
PRINTED ON THE PART)

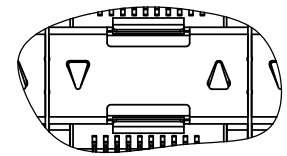
DATE CODE



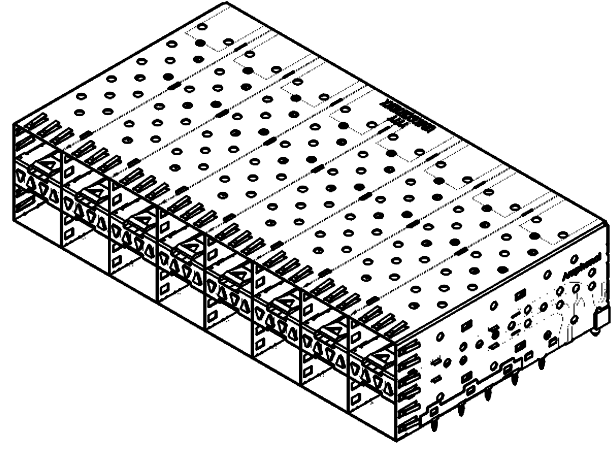
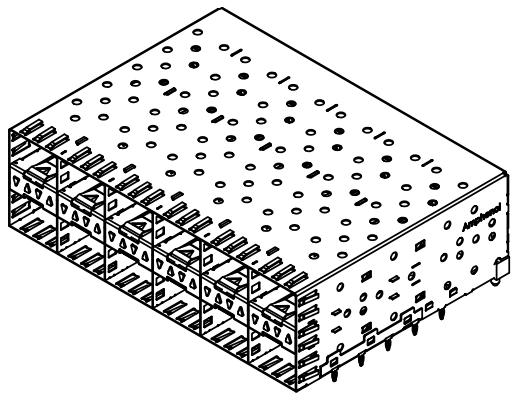
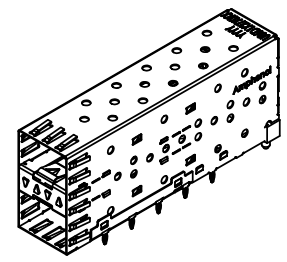
UE86-DX127-10XX1
(4 LIGHT PIPES PER 2X1)



UE86-DX127-20XX1
(2 INNER LIGHT PIPES PER 2X1)



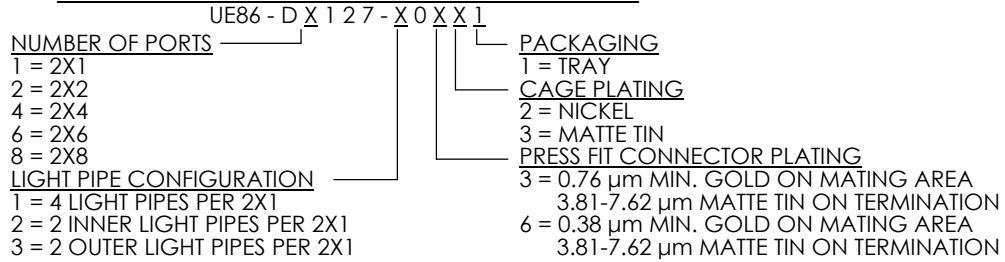
UE86-DX127-30XX1
(2 INNER LIGHT PIPES PER 2X1)



MATERIAL: (RoHS COMPLIANT)

- CAGE - PRESS FIT:
COPPER ALLOY
- PLATING:
NICKEL 2.54 µm MIN.
- CONNECTOR - PRESS FIT:
PLASTIC HOUSING:
LCP, FLAMMABILITY RATING UL94-V0.
- CONTACTS:
PHOSPHOR BRONZE
- PLATING OPTION:
SEE AMPHENOL PART NUMBER
CONFIGURATION FOR OPTIONS.
- LIGHT PIPE:
CLEAR POLYCARBONATE, FLAMMABILITY
RATING UL94-V0.
- PACKAGING:
TRAY PACKAGING.
- TEMPERATURE RANGE:
-40°C TO +85°

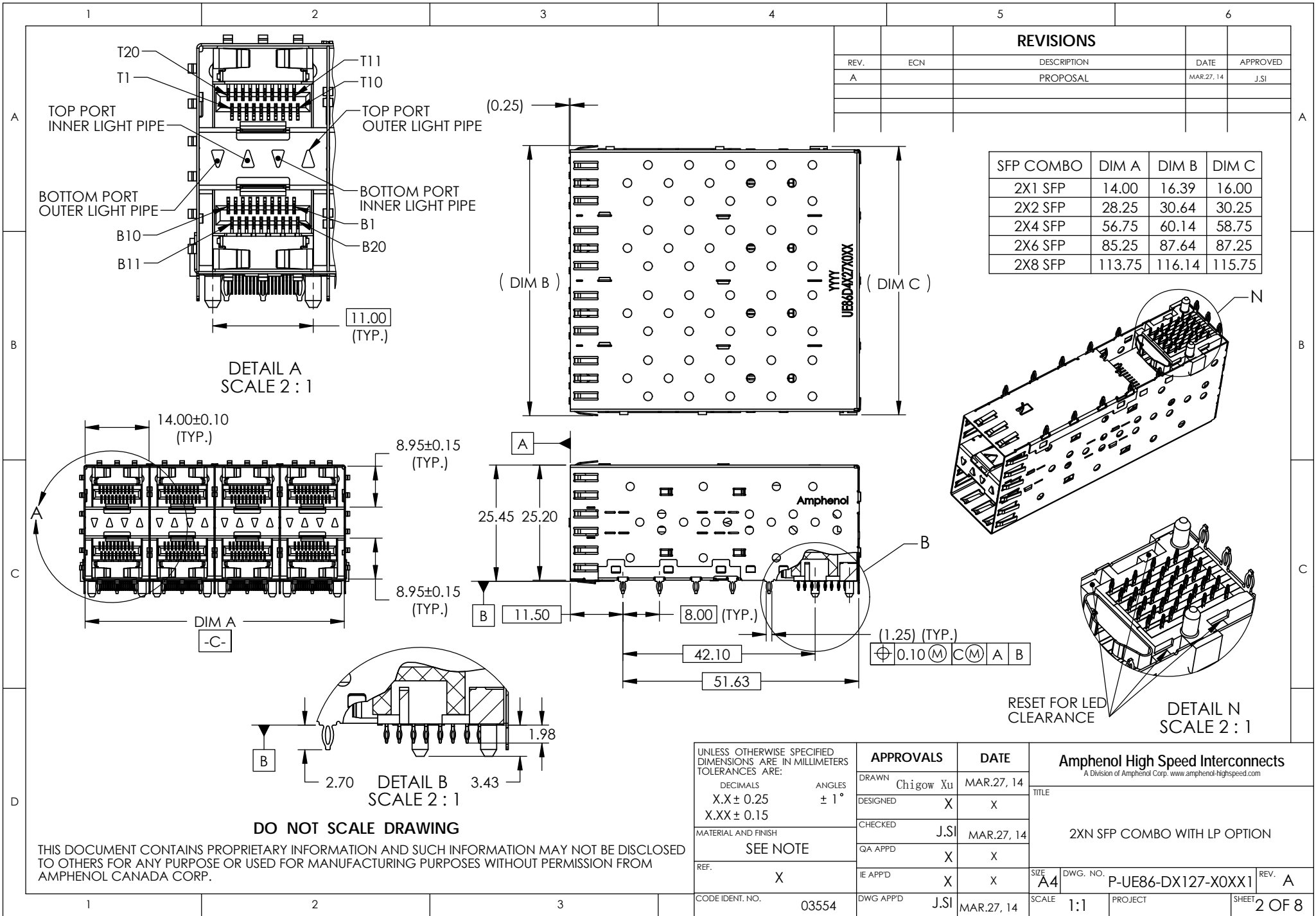
AMPHENOL PART NUMBER CONFIGURATION



DO NOT SCALE DRAWING

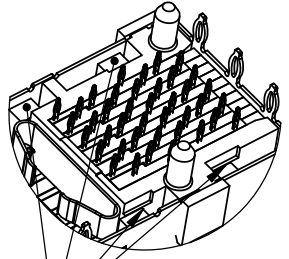
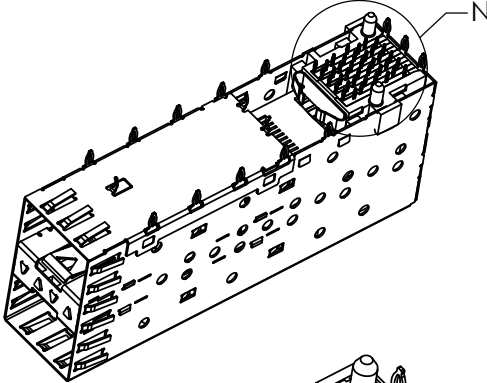
THIS DOCUMENT CONTAINS PROPRIETARY INFORMATION AND SUCH INFORMATION MAY NOT BE DISCLOSED TO OTHERS FOR ANY PURPOSE OR USED FOR MANUFACTURING PURPOSES WITHOUT PERMISSION FROM AMPHENOL CANADA CORP.

UNLESS OTHERWISE SPECIFIED DIMENSIONS ARE IN MILLIMETERS TOLERANCES ARE: DECIMALS ANGLES X.X ± 0.25 ± 1° X.XX ± 0.15	APPROVALS		DATE	Amphenol High Speed Interconnects <small>A Division of Amphenol Corp. www.amphenol-highspeed.com</small> TITLE 2XN SFP COMBO WITH LP OPTION
	DRAWN	Chigov Xu	MAR.27, 14	
	DESIGNED	X	X	
	CHECKED	J.SI	MAR.27, 14	
MATERIAL AND FINISH	SEE NOTE		QA APP'D	X
REF.	X	IE APP'D	X	X
CODE IDENT. NO.	03554	DWG APP'D	J.SI	MAR.27, 14
SIZE	A4	DWG. NO.	P-UE86-DX127-X0XX1	
SCALE	2:3	PROJECT	SHEET 1 OF 8	



REVISIONS				
REV.	ECN	DESCRIPTION	DATE	APPROVED
A		PROPOSAL	MAR.27.14	J.SI

SFP COMBO	DIM A	DIM B	DIM C
2X1 SFP	14.00	16.39	16.00
2X2 SFP	28.25	30.64	30.25
2X4 SFP	56.75	60.14	58.75
2X6 SFP	85.25	87.64	87.25
2X8 SFP	113.75	116.14	115.75



RESET FOR LED CLEARANCE

DETAIL N
SCALE 2 : 1

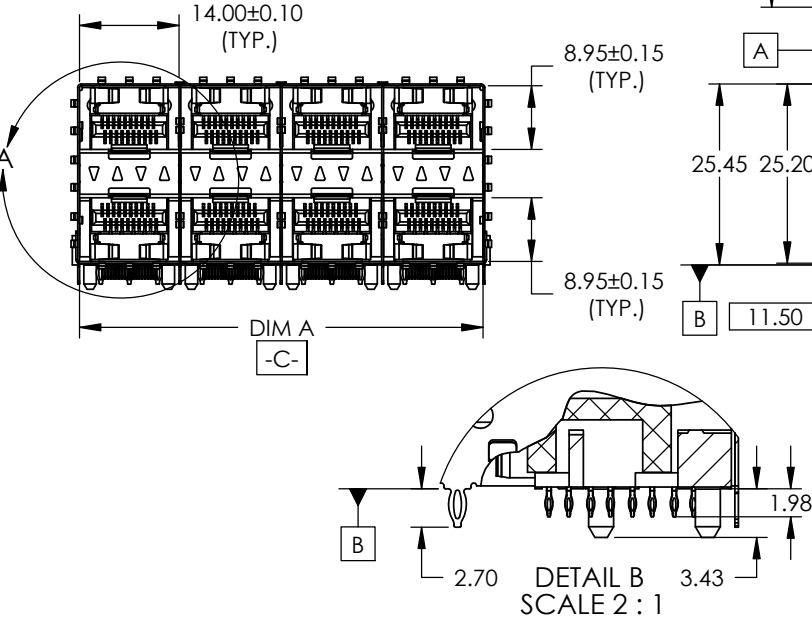
UNLESS OTHERWISE SPECIFIED DIMENSIONS ARE IN MILLIMETERS TOLERANCES ARE:		APPROVALS		DATE	
DECIMALS	ANGLES	DRAWN	Chigov Xu	MAR.27.14	
X.X ± 0.25	± 1°	DESIGNED	X	X	
X.XX ± 0.15		CHECKED	J.SI	MAR.27.14	
MATERIAL AND FINISH		QA APP'D	X	X	
SEE NOTE		IE APP'D	X	X	
REF.	X	DWG APP'D	J.SI	MAR.27.14	
CODE IDENT. NO.	03554				

Amphenol High Speed Interconnects
A Division of Amphenol Corp. www.amphenol-highspeed.com

TITLE
2XN SFP COMBO WITH LP OPTION

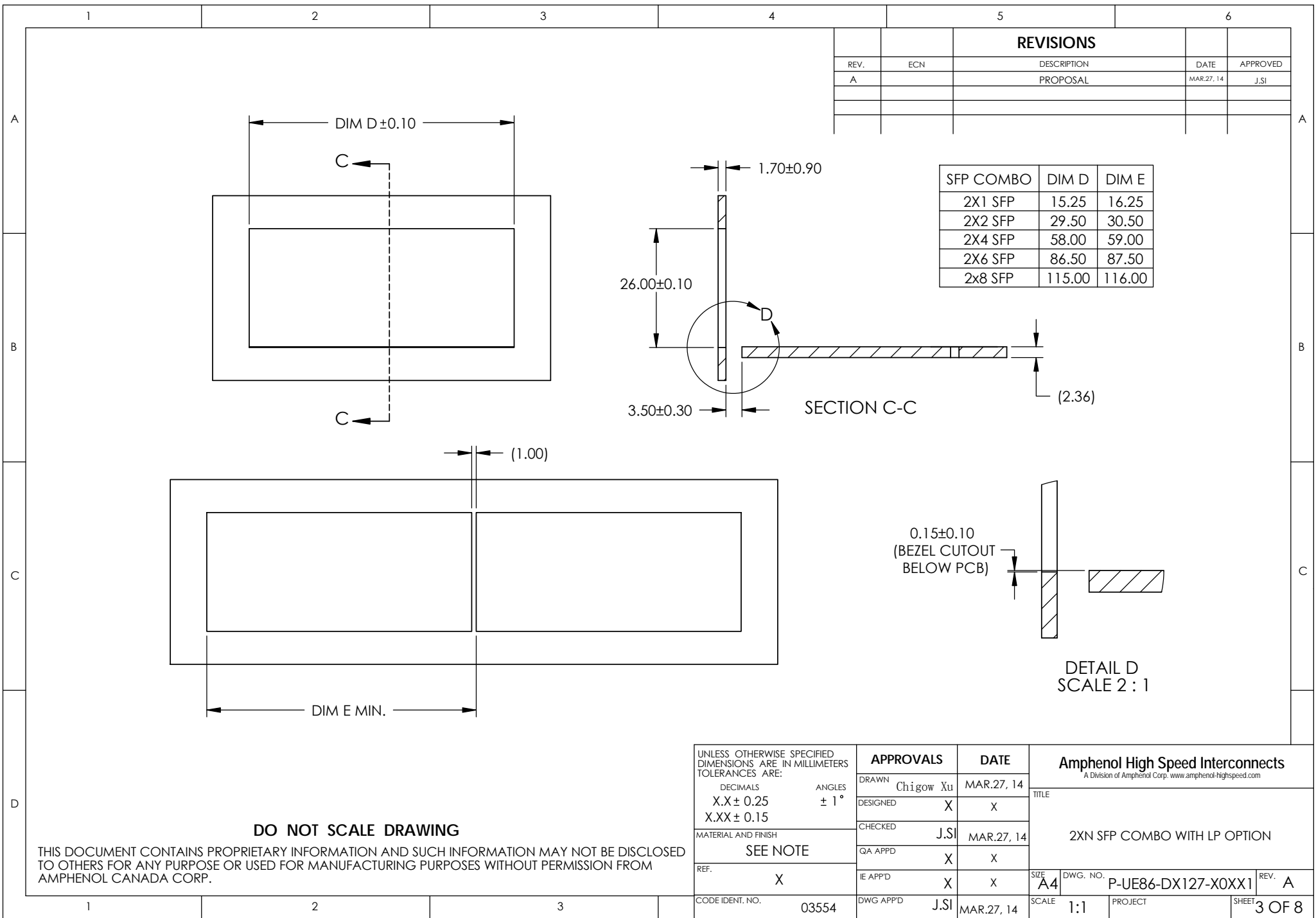
SIZE **A4** DWG. NO. **P-UE86-DX127-XOXX1** REV. **A**

SCALE **1:1** PROJECT SHEET **2 OF 8**



DO NOT SCALE DRAWING

THIS DOCUMENT CONTAINS PROPRIETARY INFORMATION AND SUCH INFORMATION MAY NOT BE DISCLOSED TO OTHERS FOR ANY PURPOSE OR USED FOR MANUFACTURING PURPOSES WITHOUT PERMISSION FROM AMPHENOL CANADA CORP.



REVISIONS				
REV.	ECN	DESCRIPTION	DATE	APPROVED
A		PROPOSAL	MAR.27.14	J.SI

SFP COMBO	DIM D	DIM E
2X1 SFP	15.25	16.25
2X2 SFP	29.50	30.50
2X4 SFP	58.00	59.00
2X6 SFP	86.50	87.50
2x8 SFP	115.00	116.00

UNLESS OTHERWISE SPECIFIED DIMENSIONS ARE IN MILLIMETERS TOLERANCES ARE:		APPROVALS	DATE
DECIMALS	ANGLES	DRAWN Chigow Xu	MAR.27, 14
X.X ± 0.25	± 1°	DESIGNED X	X
X.XX ± 0.15		CHECKED J.SI	MAR.27, 14
MATERIAL AND FINISH		QA APP'D X	X
SEE NOTE		IE APP'D X	X
REF. X		DWG APP'D J.SI	MAR.27, 14

Amphenol High Speed Interconnects <small>A Division of Amphenol Corp. www.amphenol-highspeed.com</small>		
TITLE		
2XN SFP COMBO WITH LP OPTION		
SIZE A4	DWG. NO. P-UE86-DX127-XOXX1	REV. A
SCALE 1:1	PROJECT	SHEET 3 OF 8

DO NOT SCALE DRAWING

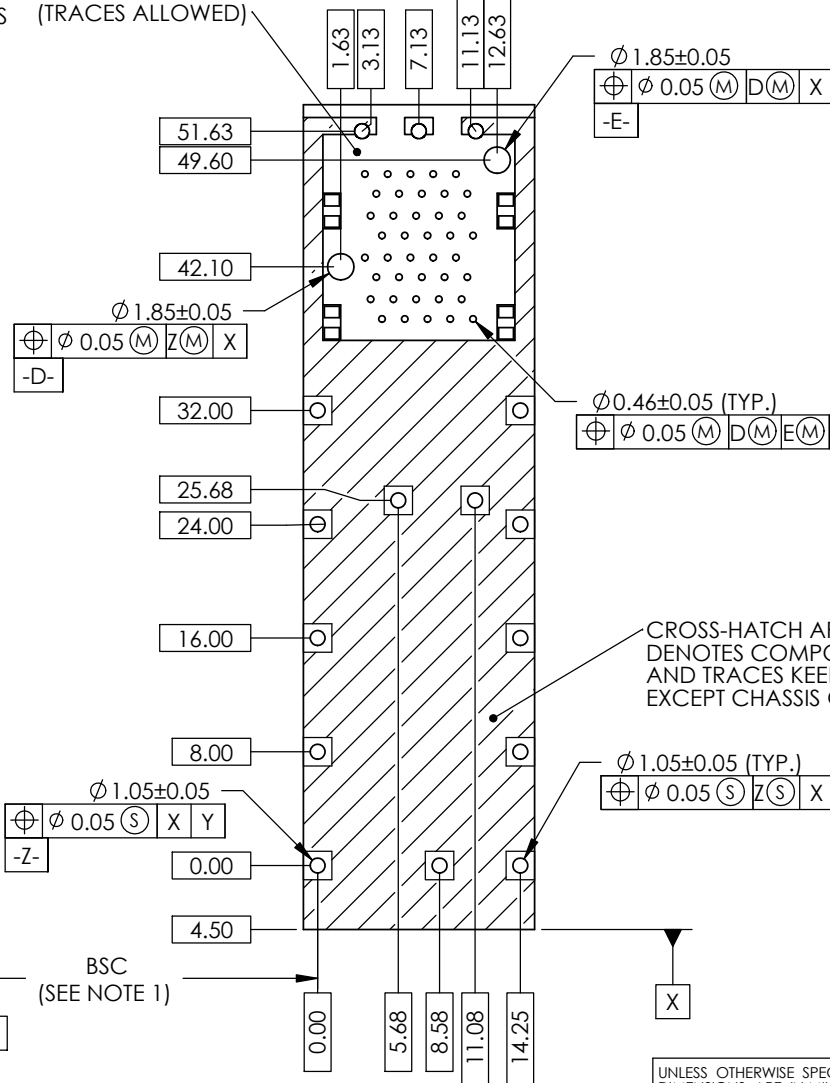
THIS DOCUMENT CONTAINS PROPRIETARY INFORMATION AND SUCH INFORMATION MAY NOT BE DISCLOSED TO OTHERS FOR ANY PURPOSE OR USED FOR MANUFACTURING PURPOSES WITHOUT PERMISSION FROM AMPHENOL CANADA CORP.

NOTES:

1. DATUM AND BASIC DIMENSIONS ESTABLISHED BY CUSTOMER.

2. 1.05 mm DIAMETER HOLES ARE CHASSIS GROUND (16 HOLES).

THIS AREA DENOTES COMPONENTS KEEP OUT (TRACES ALLOWED)



REVISIONS

REV.	ECN	DESCRIPTION	DATE	APPROVED
A		PROPOSAL	MAR.27.14	J.SI

2X1 PCB LAYOUT

DO NOT SCALE DRAWING

THIS DOCUMENT CONTAINS PROPRIETARY INFORMATION AND SUCH INFORMATION MAY NOT BE DISCLOSED TO OTHERS FOR ANY PURPOSE OR USED FOR MANUFACTURING PURPOSES WITHOUT PERMISSION FROM AMPHENOL CANADA CORP.

UNLESS OTHERWISE SPECIFIED DIMENSIONS ARE IN MILLIMETERS TOLERANCES ARE:		APPROVALS		DATE	Amphenol High Speed Interconnects A Division of Amphenol Corp. www.amphenol-highspeed.com	
DECIMALS	ANGLES	DRAWN	Chigow Xu	MAR.27, 14	TITLE	
X.X ± 0.25	± 1°	DESIGNED	X	X	2X1 SFP COMBO WITH LP OPTION	
X.XX ± 0.15		CHECKED	J.SI	MAR.27, 14		
MATERIAL AND FINISH		QA APP'D	X	X		
SEE NOTE		IE APP'D	X	X		
REF.	X	DWG APP'D	J.SI	MAR.27, 14	SIZE A4	DWG. NO. P-UE86-DX127-X0XX1
CODE IDENT. NO.	03554				SCALE 1:1	PROJECT
						SHEET 4 OF 8

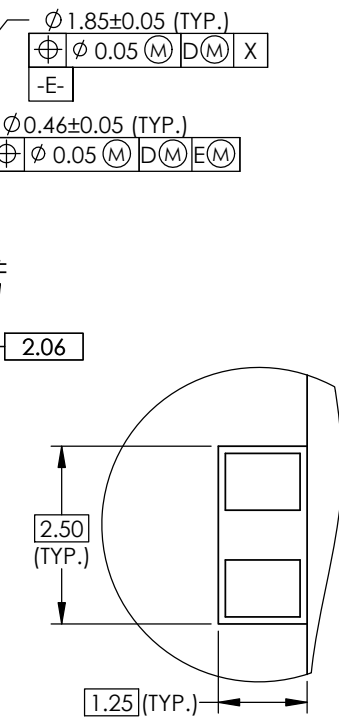
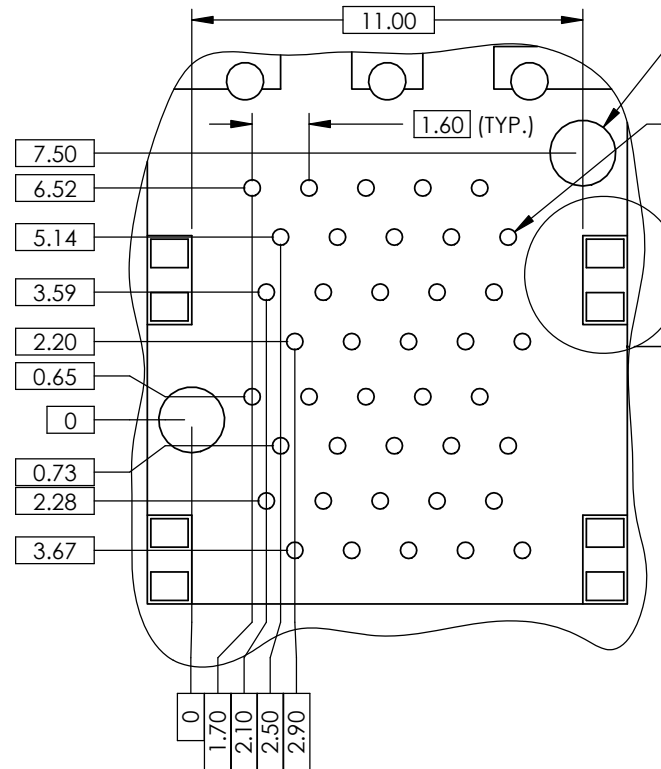
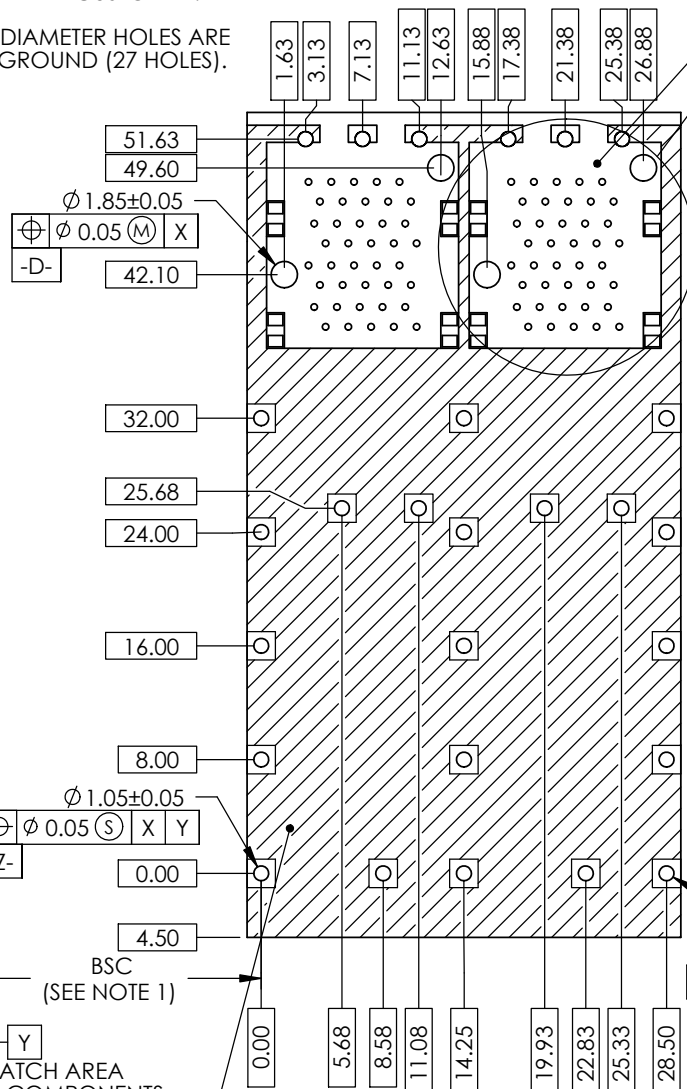
NOTES:

- DATUM AND BASIC DIMENSIONS ESTABLISHED BY CUSTOMER.
- 1.05 mm DIAMETER HOLES ARE CHASSIS GROUND (27 HOLES).

REVISIONS

REV.	ECN	DESCRIPTION	DATE	APPROVED
A		PROPOSAL	MAR.27.14	J.SI

THIS AREA DENOTES COMPONENTS KEEP OUT (TRACES ALLOWED)



DETAIL E
SCALE 5 : 1

DETAIL F
SCALE 10 : 1

DO NOT SCALE DRAWING 2X2 PCB LAYOUT

CROSS-HATCH AREA DENOTES COMPONENTS AND TRACES KEEP OUT EXCEPT CHASSIS GROUND

THIS DOCUMENT CONTAINS PROPRIETARY INFORMATION AND SUCH INFORMATION MAY NOT BE DISCLOSED TO OTHERS FOR ANY PURPOSE OR USED FOR MANUFACTURING PURPOSES WITHOUT PERMISSION FROM AMPHENOL CANADA CORP.

UNLESS OTHERWISE SPECIFIED DIMENSIONS ARE IN MILLIMETERS TOLERANCES ARE:

DECIMALS X.X ± 0.25 ANGLES ± 1°
X.XX ± 0.15

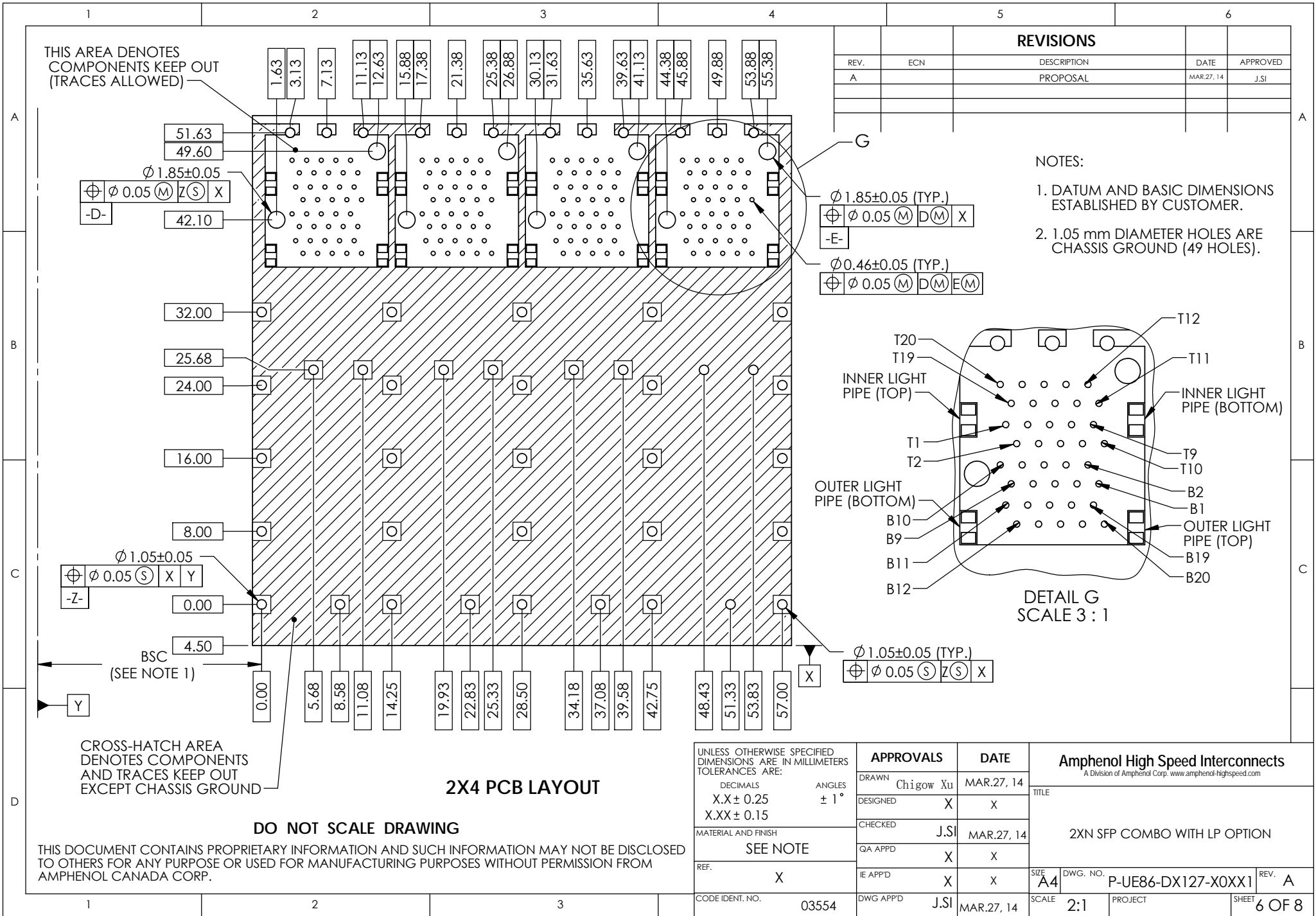
MATERIAL AND FINISH SEE NOTE

REF. X

CODE IDENT. NO. 03554

APPROVALS	DATE
DRAWN Chigow Xu	MAR.27, 14
DESIGNED X	X
CHECKED J.SI	MAR.27, 14
QA APPD X	X
IE APPD X	X
DWG APPD J.SI	MAR.27, 14

Amphenol High Speed Interconnects A Division of Amphenol Corp. www.amphenol-highspeed.com	
TITLE 2XN SFP COMBO WITH LP OPTION	
SIZE A4	DWG. NO. P-UE86-DX127-XOXX1
SCALE 2:1	PROJECT SHEET 5 OF 8



THIS AREA DENOTES COMPONENTS KEEP OUT (TRACES ALLOWED)

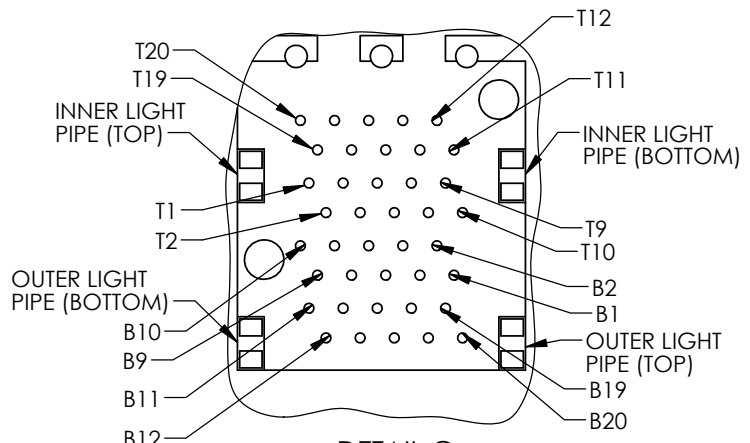
REVISIONS

REV.	ECN	DESCRIPTION	DATE	APPROVED
A		PROPOSAL	MAR.27.14	J.SI

- NOTES:
- DATUM AND BASIC DIMENSIONS ESTABLISHED BY CUSTOMER.
 - 1.05 mm DIAMETER HOLES ARE CHASSIS GROUND (49 HOLES).

$\varnothing 1.85 \pm 0.05$ (TYP.)
 $\varnothing 0.05$ (M) (D) (M) (X)
 -E-

$\varnothing 0.46 \pm 0.05$ (TYP.)
 $\varnothing 0.05$ (M) (D) (M) (E) (M)



DETAIL G
SCALE 3:1

2X4 PCB LAYOUT

DO NOT SCALE DRAWING

THIS DOCUMENT CONTAINS PROPRIETARY INFORMATION AND SUCH INFORMATION MAY NOT BE DISCLOSED TO OTHERS FOR ANY PURPOSE OR USED FOR MANUFACTURING PURPOSES WITHOUT PERMISSION FROM AMPHENOL CANADA CORP.

UNLESS OTHERWISE SPECIFIED DIMENSIONS ARE IN MILLIMETERS TOLERANCES ARE:

DECIMALS	ANGLES
X.X ± 0.25	± 1°
X.XX ± 0.15	

MATERIAL AND FINISH: SEE NOTE

REF: X

CODE IDENT. NO. 03554

APPROVALS		DATE
DRAWN	Chigow Xu	MAR.27.14
DESIGNED	X	X
CHECKED	J.SI	MAR.27.14
QA APPD	X	X
IE APPD	X	X
DWG APPD	J.SI	MAR.27.14

Amphenol High Speed Interconnects A Division of Amphenol Corp. www.amphenol-highspeed.com	
TITLE	
2XN SFP COMBO WITH LP OPTION	
SIZE A4	DWG. NO. P-UE86-DX127-XOXX1
SCALE 2:1	PROJECT
REV. A	SHEET 6 OF 8

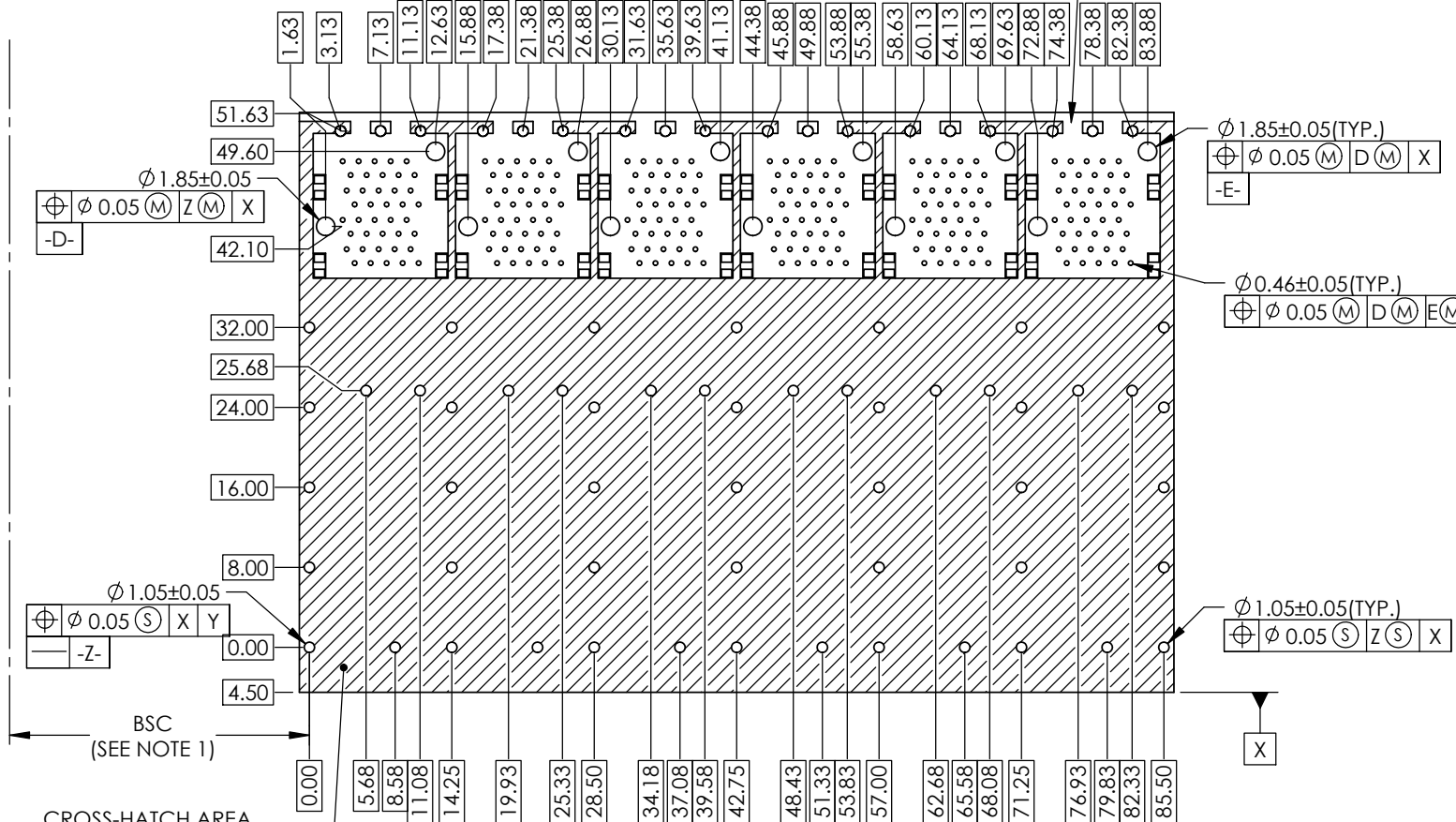
NOTES:

1. DATUM AND BASIC DIMENSIONS ESTABLISHED BY CUSTOMER.
2. 1.05 mm DIAMETER HOLES ARE CHASSIS GROUND (71 HOLES).

THIS AREA DENOTES COMPONENTS KEEP OUT (TRACES ALLOWED)

REVISIONS

REV.	ECN	DESCRIPTION	DATE	APPROVED
A		PROPOSAL	MAR.27.14	J.SI



2X6 PCB LAYOUT

DO NOT SCALE DRAWING

THIS DOCUMENT CONTAINS PROPRIETARY INFORMATION AND SUCH INFORMATION MAY NOT BE DISCLOSED TO OTHERS FOR ANY PURPOSE OR USED FOR MANUFACTURING PURPOSES WITHOUT PERMISSION FROM AMPHENOL CANADA CORP.

UNLESS OTHERWISE SPECIFIED DIMENSIONS ARE IN MILLIMETERS TOLERANCES ARE:

DECIMALS	ANGLES
X.X ± 0.25	± 1°
X.XX ± 0.15	

MATERIAL AND FINISH
SEE NOTE

REF. X

CODE IDENT. NO. 03554

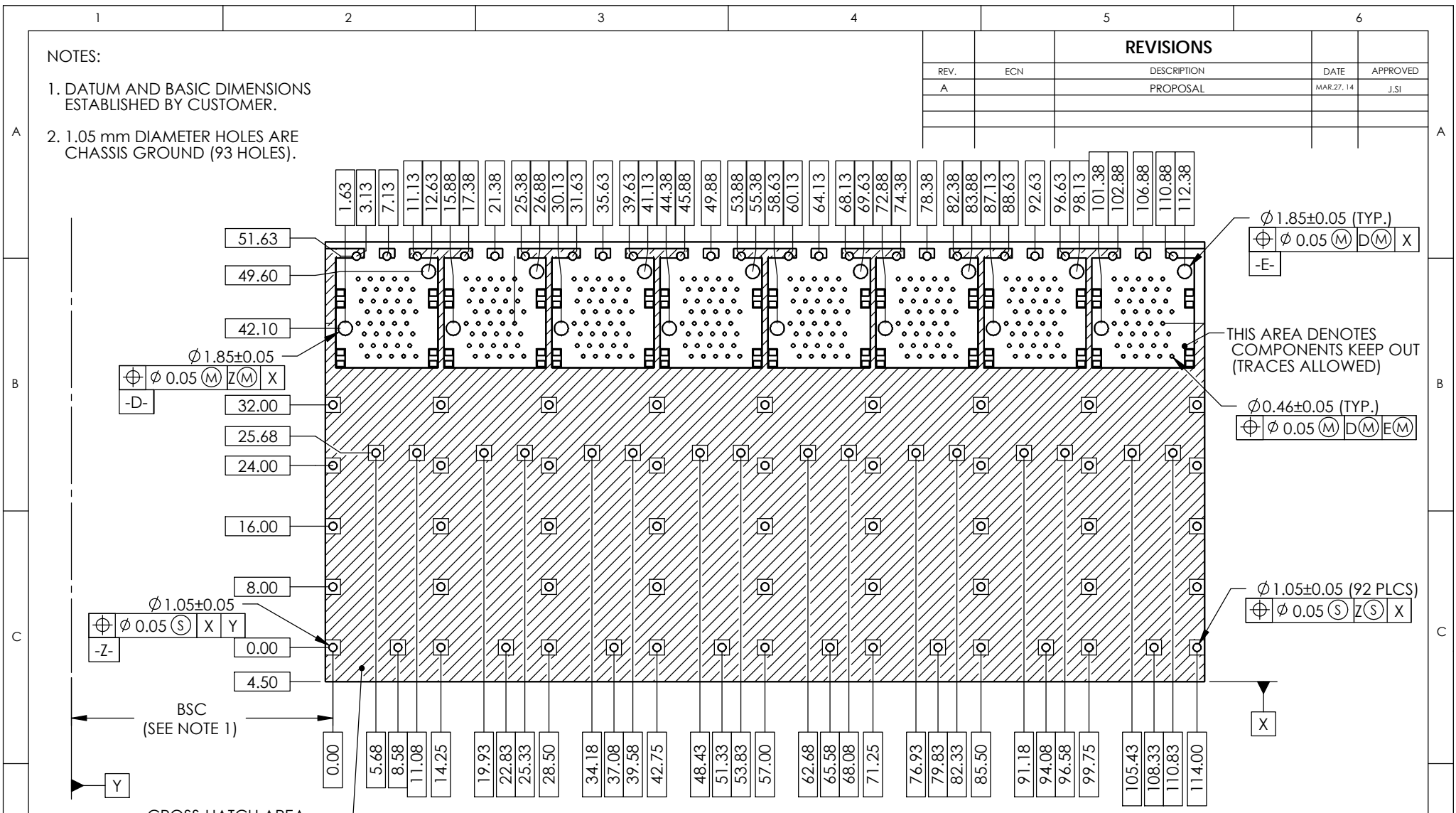
APPROVALS	DATE
DRAWN Chigow Xu	MAR.27.14
DESIGNED X	X
CHECKED J.SI	MAR.27.14
QA APPD X	X
IE APPD X	X
DWG APPD J.SI	MAR.27.14

Amphenol High Speed Interconnects A Division of Amphenol Corp. www.amphenol-highspeed.com	
TITLE 2XN SFP COMBO WITH LP OPTION	
SIZE A4	DWG. NO. P-UE86-DX127-XOXX1
SCALE 1:2	PROJECT SHEET 7 OF 8

NOTES:

- DATUM AND BASIC DIMENSIONS ESTABLISHED BY CUSTOMER.
- 1.05 mm DIAMETER HOLES ARE CHASSIS GROUND (93 HOLES).

REVISIONS				
REV.	ECN	DESCRIPTION	DATE	APPROVED
A		PROPOSAL	MAR.27.14	J.SI



2X8 PCB LAYOUT

CROSS-HATCH AREA DENOTES COMPONENTS AND TRACES KEEP OUT EXCEPT CHASSIS GROUND

DO NOT SCALE DRAWING

THIS DOCUMENT CONTAINS PROPRIETARY INFORMATION AND SUCH INFORMATION MAY NOT BE DISCLOSED TO OTHERS FOR ANY PURPOSE OR USED FOR MANUFACTURING PURPOSES WITHOUT PERMISSION FROM AMPHENOL CANADA CORP.

UNLESS OTHERWISE SPECIFIED DIMENSIONS ARE IN MILLIMETERS TOLERANCES ARE:		APPROVALS		DATE	Amphenol High Speed Interconnects <small>A Division of Amphenol Corp. www.amphenol-highspeed.com</small>
DECIMALS	ANGLES	DRAWN	Chigow Xu	MAR.27.14	
X.X ± 0.25	± 1°	DESIGNED	X	X	
X.XX ± 0.15		CHECKED	J.SI	MAR.27.14	
MATERIAL AND FINISH	SEE NOTE	QA APPD	X	X	TITLE 2XN SFP COMBO WITH LP OPTION
REF.	X	IE APPD	X	X	
CODE IDENT. NO.	03554	DWG APPD	J.SI	MAR.27.14	SIZE A4 DWG. NO. P-UE86-DX127-XOXX1 SCALE 1:1 PROJECT SHEET 8 OF 8

Данный компонент на территории Российской Федерации

Вы можете приобрести в компании MosChip.

Для оперативного оформления запроса Вам необходимо перейти по данной ссылке:

<http://moschip.ru/get-element>

Вы можете разместить у нас заказ для любого Вашего проекта, будь то серийное производство или разработка единичного прибора.

В нашем ассортименте представлены ведущие мировые производители активных и пассивных электронных компонентов.

Нашей специализацией является поставка электронной компонентной базы двойного назначения, продукции таких производителей как XILINX, Intel (ex.ALTERA), Vicor, Microchip, Texas Instruments, Analog Devices, Mini-Circuits, Amphenol, Glenair.

Сотрудничество с глобальными дистрибьюторами электронных компонентов, предоставляет возможность заказывать и получать с международных складов практически любой перечень компонентов в оптимальные для Вас сроки.

На всех этапах разработки и производства наши партнеры могут получить квалифицированную поддержку опытных инженеров.

Система менеджмента качества компании отвечает требованиям в соответствии с ГОСТ Р ИСО 9001, ГОСТ РВ 0015-002 и ЭС РД 009

Офис по работе с юридическими лицами:

105318, г.Москва, ул.Щербаковская д.3, офис 1107, 1118, ДЦ «Щербаковский»

Телефон: +7 495 668-12-70 (многоканальный)

Факс: +7 495 668-12-70 (доб.304)

E-mail: info@moschip.ru

Skype отдела продаж:

moschip.ru

moschip.ru_4

moschip.ru_6

moschip.ru_9