

| REV | DOCUMENT | CHANGED BY | CHECK |
|-----|----------|-------------|-------|
| 1 | 201373 | TRF 22SEP00 | SAV |
| 2 | 203123 | GJW 01JUN01 | SAV |

SERIES
UNAMPLIFIED COMPENSATED AND CALIBRATED (mV)

ACCURACY GRADE
C - COMMERCIAL (1.0%)
H - HIGH GRADE (0.50%)

PRESSURE RANGE Δ
004, 010 IN H₂O D
00.3, 01, 05, 15, 30, 60, 100, 150, 240 PSID

PACKAGE TYPE
N - PLASTIC

PRESSURE REFERENCE
D - DIFFERENTIAL

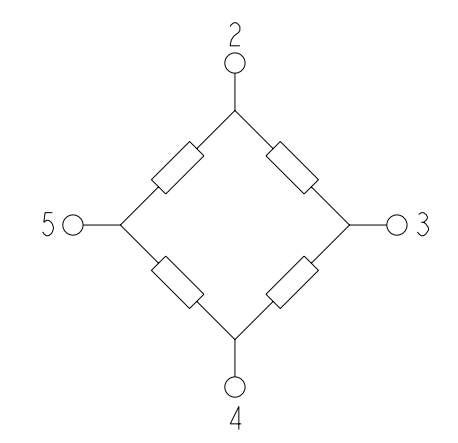
NOTES

Δ ALL PARAMETERS ARE MEASURED AT 12 VDC EXCITATION. APPLY POSITIVE PRESSURE TO PORT 2 FOR POSITIVE GOING OUTPUT SHIFT IS RELATIVE TO 25°C

Δ LINEARITY IS DETERMINED USING BEST STRAIGHT LINE FIT THROUGH ZERO, 1/2 FULL SCALE, AND FULL SCALE; HYSTERESIS IS MECHANICAL ONLY

4 - SPAN IS THE ALGEBRAIC DIFFERENCE BETWEEN OFFSET VOLTAGE AND THE VOLTAGE AT FULL SCALE PRESSURE

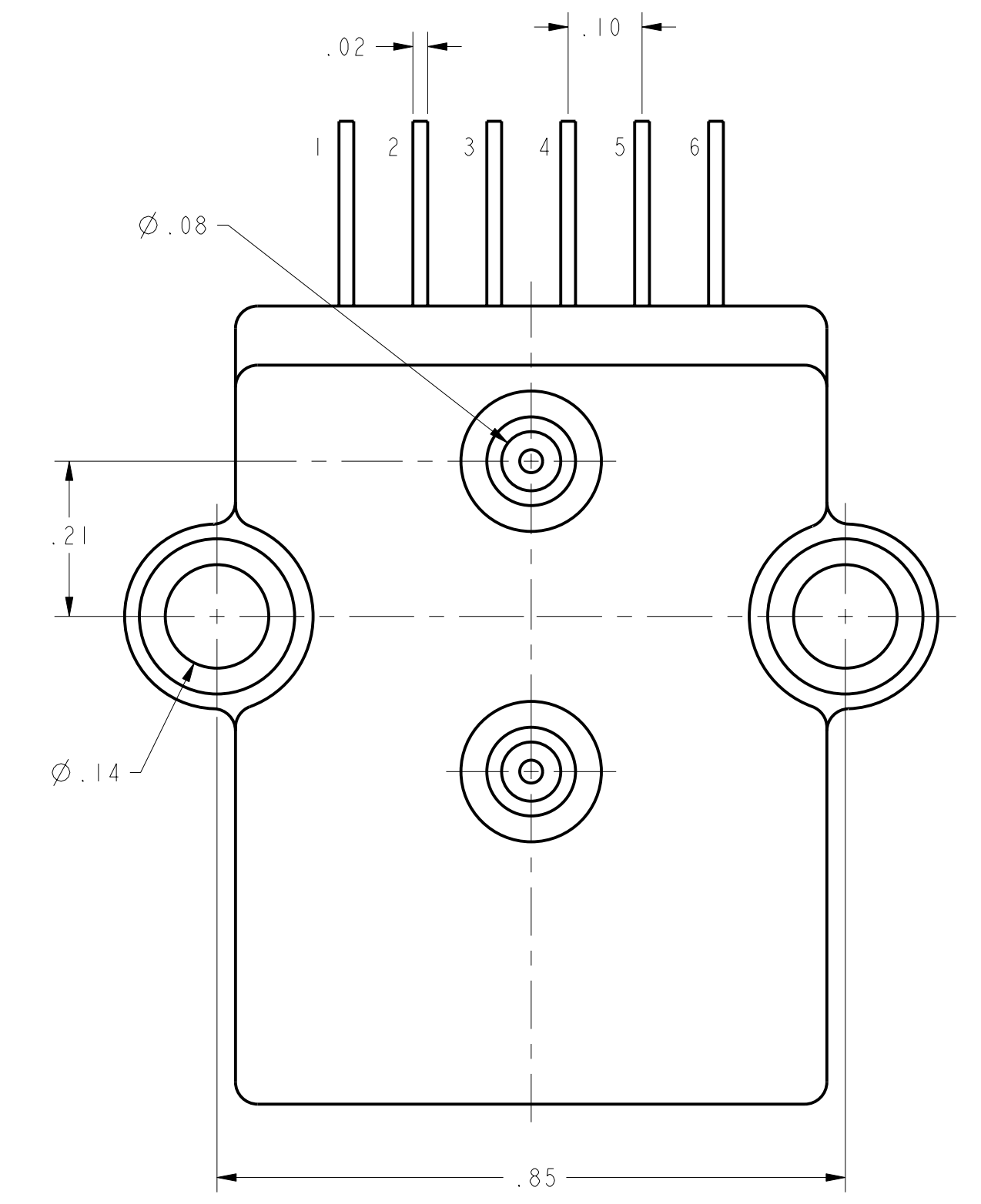
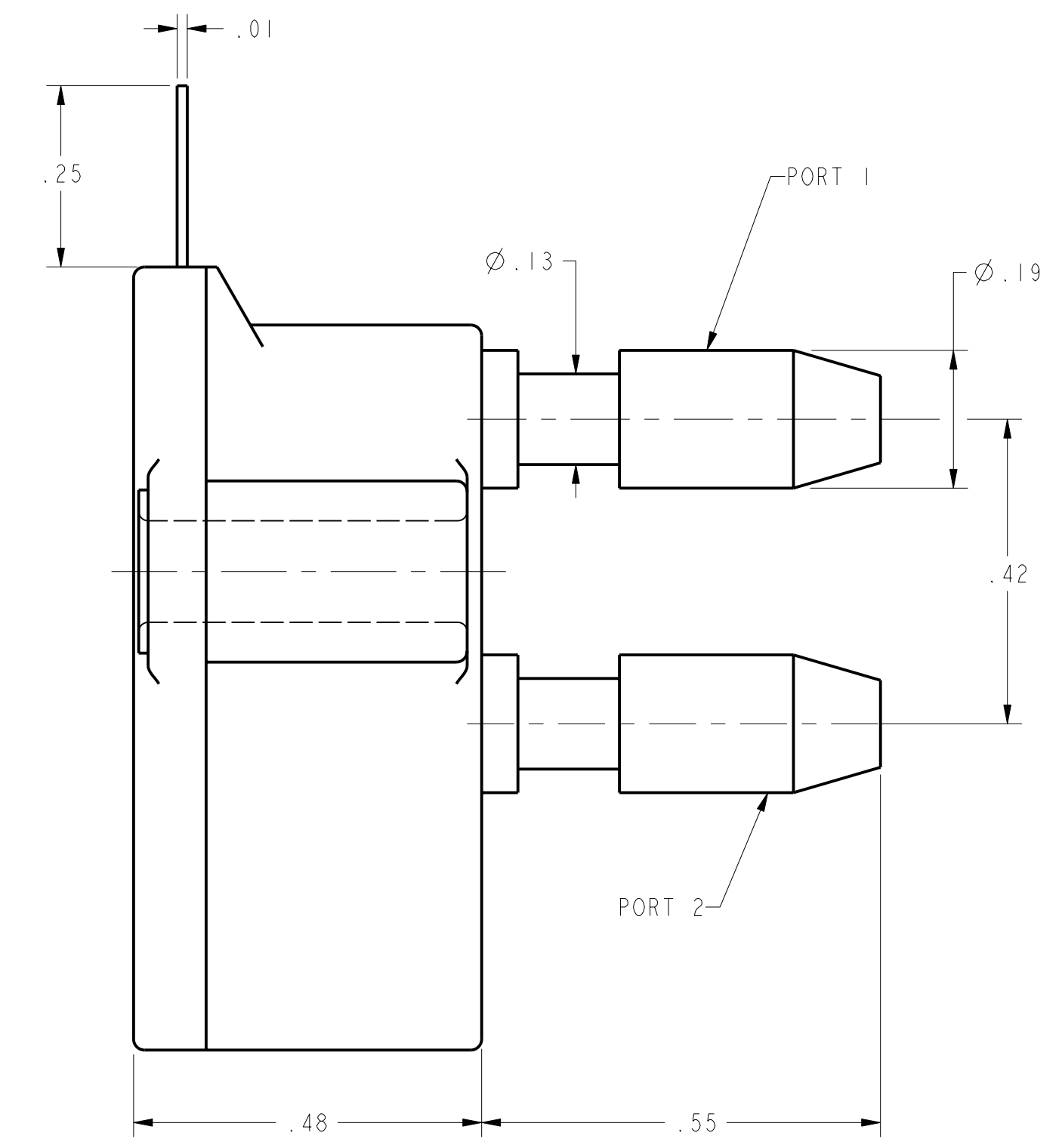
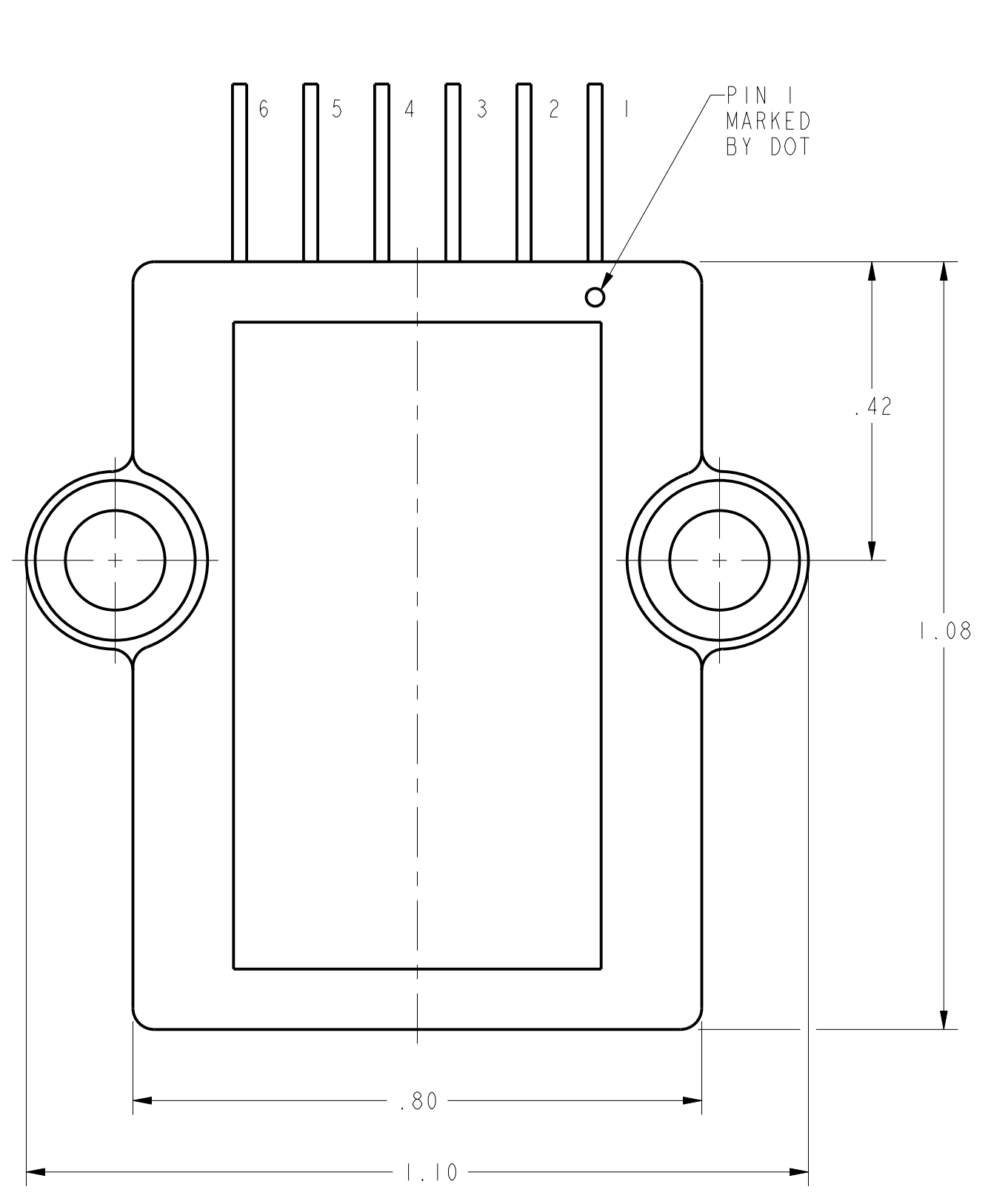
Δ PRESSURE RANGE DEPICTS THE FULL SCALE PRESSURE OF THE SENSOR



EQUIVALENT CIRCUIT

| PIN OUT | |
|---------|-----------------|
| 1 | N/C |
| 2 | +V EXCITATION |
| 3 | + OUTPUT SIGNAL |
| 4 | -V EXCITATION |
| 5 | - OUTPUT SIGNAL |
| 6 | N/C |

| C - GRADE LISTINGS | |
|--------------------|--|
| XCXL004DNC | |
| XCXL010DNC | |
| XCX00.3DNC | |
| XCX01DNC | |
| XCX05DNC | |
| XCX15DNC | |
| XCX30DNC | |
| XCX60DNC | |
| XCX100DNC | |
| XCX150DNC | |
| XCX240DNC | |
| H - GRADE LISTINGS | |
| XCXL004DNH | |
| XCXL010DNH | |
| XCX00.3DNH | |
| XCX01DNH | |
| XCX05DNH | |
| XCX15DNH | |
| XCX30DNH | |
| XCX60DNH | |
| XCX100DNH | |
| XCX150DNH | |
| XCX240DNH | |



| PARAMETERS Δ | PRESSURE RANGE | C GRADE | | | | H GRADE | | | | PROOF PRESSURE |
|---|----------------------------------|---------|-------|-------|------------|---------|-------|-------|------------|---|
| | | MIN | NOM | MAX | UNITS | MIN | NOM | MAX | UNITS | |
| OFFSET VOLTAGE (0 IN H ₂ O DIFF) | ALL | -1.0 | 0.0 | 1.0 | mV | -0.3 | 0.0 | 0.3 | mV | 5 PSID 5 PSID 5 PSID 5 PSID 15 PSID 45 PSID 90 PSID 180 PSID 200 PSID 300 PSID 300 PSID |
| SPAN (P2>P1) | 4 IN H ₂ O | 38.0 | 40.0 | 42.0 | mV | 19.8 | 20.0 | 20.2 | mV | |
| | 10 IN H ₂ O | 19.0 | 20.0 | 21.0 | mV | 19.8 | 20.0 | 20.2 | mV | |
| | 0.3 PSID | 19.0 | 20.0 | 21.0 | mV | 19.8 | 20.0 | 20.2 | mV | |
| | 1 PSID | 17.0 | 18.0 | 19.0 | mV | 17.8 | 18.0 | 18.2 | mV | |
| | 5 PSID | 57.0 | 60.0 | 63.0 | mV | 59.0 | 60.0 | 61.0 | mV | |
| | 15 PSID | 85.0 | 90.0 | 95.0 | mV | 89.0 | 90.0 | 91.0 | mV | |
| | 30 PSID | 85.0 | 90.0 | 95.0 | mV | 89.0 | 90.0 | 91.0 | mV | |
| | 60 PSID | 85.0 | 90.0 | 95.0 | mV | 89.0 | 90.0 | 91.0 | mV | |
| | 100 PSID | 95.0 | 100.0 | 105.0 | mV | 99.0 | 100.0 | 101.0 | mV | |
| | 150 PSID | 85.0 | 90.0 | 95.0 | mV | 89.0 | 90.0 | 91.0 | mV | |
| 240 PSID | 95.0 | 100.0 | 105.0 | mV | 99.0 | 100.0 | 101.0 | mV | | |
| COMBINED LINEARITY AND HYSTERESIS Δ | ALL | --- | 0.5 | 1.0 | %SPAN | --- | 0.3 | 0.5 | %SPAN | |
| INPUT RESISTANCE | ALL | --- | 15 | --- | K Ω | --- | 15 | --- | K Ω | |
| TEMPERATURE ERROR ON OFFSET (0° TO 50°C) Δ | 4 IN H ₂ O | --- | --- | 1.0 | mV | --- | --- | 0.5 | mV | |
| TEMPERATURE ERROR ON OFFSET (0° TO 70°C) Δ | ALL EXCEPT 4 IN H ₂ O | --- | --- | 1.0 | mV | --- | --- | 0.5 | mV | |
| TEMPERATURE ERROR ON SPAN (0° TO 50°C) Δ | 4 IN H ₂ O | --- | --- | 2.0 | %SPAN | --- | --- | 1.0 | %SPAN | |
| TEMPERATURE ERROR ON SPAN (0° TO 70°C) Δ | ALL EXCEPT 4 IN H ₂ O | --- | --- | 2.0 | %SPAN | --- | --- | 1.0 | %SPAN | |
| REPEATABILITY | ALL | --- | 0.1 | --- | %SPAN | --- | 0.1 | --- | %SPAN | |

| | | | | | |
|------------------------------------|-----|-----|-----|-----|------|
| EXCITATION VOLTAGE | ALL | 3 | 12 | 16 | VDC |
| COMPENSATED TEMPERATURE RANGE | ALL | 0 | 25 | 70 | °C |
| STORAGE TEMPERATURE RANGE | ALL | -40 | --- | 125 | °C |
| RELATIVE HUMIDITY (NON-CONDENSING) | ALL | 0 | --- | 95 | %RH |
| SHOCK (DURATION 11 msec ANY AXIS) | ALL | --- | --- | 10 | g |
| COMMON MODE PRESSURE | ALL | --- | --- | 50 | PSIG |

| MEDIA CAPABILITY, WETTED MATERIALS (APPLY CLEAN DRY AIR ONLY) | |
|--|--|
| PRESSURE PORT 2 | SILICON DIAPHRAGM, GLASS FILLED NYLON, AND ALUMINA CERAMIC. PORT NOT USED FOR ABSOLUTE DEVICES |
| PRESSURE PORT 1 | FRONTSIDE OF SILICON DIAPHRAGM, SILICONE GEL PASSIVATION, GLASS FILLED NYLON, ALUMINA. |

| | | | | | | | | | | | |
|--|-------------|---------------|----------------|------------------|--------|------------------------------------|-------------------------|-------------------|-------------------|---|-------|
| UNLESS OTHERWISE SPECIFIED TOLERANCES ARE: | NO PLACE .X | ONE PLACE .XX | TWO PLACE .XXX | THREE PLACE .XXX | ANGLES | RAW MATERIAL - COMMERCIAL STANDARD | THIRD ANGLE PROJECTION | DRAWN TRF 22SEP00 | CHECK SAV 22SEP00 | Honeywell Sensing and Control PRESSURE SENSOR | |
| DIMENSIONS ARE TO BE MET BEFORE PROTECTIVE COATINGS ARE APPLIED. | | | | | | | PTC 3D ASME Y14.5M-1994 | SCALE 5:1 | SHEET 1 OF 1 | TITLE XCX DIF SERIES CHART 1 | REV 2 |

Данный компонент на территории Российской Федерации

Вы можете приобрести в компании MosChip.

Для оперативного оформления запроса Вам необходимо перейти по данной ссылке:

<http://moschip.ru/get-element>

Вы можете разместить у нас заказ для любого Вашего проекта, будь то серийное производство или разработка единичного прибора.

В нашем ассортименте представлены ведущие мировые производители активных и пассивных электронных компонентов.

Нашей специализацией является поставка электронной компонентной базы двойного назначения, продукции таких производителей как XILINX, Intel (ex.ALTERA), Vicor, Microchip, Texas Instruments, Analog Devices, Mini-Circuits, Amphenol, Glenair.

Сотрудничество с глобальными дистрибьюторами электронных компонентов, предоставляет возможность заказывать и получать с международных складов практически любой перечень компонентов в оптимальные для Вас сроки.

На всех этапах разработки и производства наши партнеры могут получить квалифицированную поддержку опытных инженеров.

Система менеджмента качества компании отвечает требованиям в соответствии с ГОСТ Р ИСО 9001, ГОСТ РВ 0015-002 и ЭС РД 009

Офис по работе с юридическими лицами:

105318, г.Москва, ул.Щербаковская д.3, офис 1107, 1118, ДЦ «Щербаковский»

Телефон: +7 495 668-12-70 (многоканальный)

Факс: +7 495 668-12-70 (доб.304)

E-mail: info@moschip.ru

Skype отдела продаж:

moschip.ru

moschip.ru_4

moschip.ru_6

moschip.ru_9