

## ICL3221E, ICL3222E, ICL3223E, ICL3232E, ICL3241E, ICL3243E

±15kV ESD Protected, +3V to +5.5V, 1µA, 250kbps, RS-232 Transmitters/Receivers

The [ICL3221E](#), [ICL3222E](#), [ICL3223E](#), [ICL3232E](#), [ICL3241E](#), and [ICL3243E](#) are 3.0V to 5.5V powered RS-232 transmitters/receivers that meet EIA/TIA-232 and V.28/V.24 specifications, even at  $V_{CC} = 3.0V$ . Additionally, they provide ±15kV ESD protection (IEC61000-4-2 Air Gap and Human Body Model) on transmitter outputs and receiver inputs (RS-232 pins). Targeted applications are notebook and laptop computers in which the low operational power consumption and even lower standby power consumption is critical. Efficient on-chip charge pumps, coupled with manual and automatic power-down functions (except for the ICL3232E), reduce the standby supply current to a 1µA trickle. Small footprint packaging and the use of small, low value capacitors ensure board space savings. Data rates greater than 250kbps are ensured at worst case load conditions. This family is fully compatible with 3.3V-only systems, mixed 3.3V and 5.0V systems, and 5.0V-only systems.

The ICL324xE are 3-driver, 5-receiver devices that provide a complete serial port suitable for laptop or notebook computers. Both devices also include noninverting always-active receivers for “wake-up” capability.

The ICL3221E, ICL3223E, and ICL3243E feature an automatic power-down function that powers down the on-chip power supply and driver circuits. Power-down occurs when an attached peripheral device is shut off or the RS-232 cable is removed, which conserves system power automatically without changes to the hardware or operating system. These devices power up again when a valid RS-232 voltage is applied to any receiver input.

[Table 1 on page 2](#) summarizes the features of the devices represented by this datasheet, and Application Note [AN9863](#) summarizes the features of each device in the ICL32xxE 3V family.

### Related Literature

For a full list of documents, visit our website:

- [ICL3221E](#), [ICL3222E](#), [ICL3223E](#), [ICL3232E](#), [ICL3241E](#), and [ICL3243E](#) device pages

### Features

- ESD protection for RS-232 I/O pins to ±15kV (IEC61000)
- Drop-in replacements for the MAX3221E, MAX3222E, MAX3223E, MAX3232E, MAX3241E, MAX3243E, and SP3243E
- The ICL3221E is a low-power, pin-compatible upgrade for the 5V MAX221E
- The ICL3222E is a low-power, pin-compatible upgrade for the 5V MAX242E and SP312E
- The ICL3232E is a low-power upgrade for the HIN232E, ICL232, and pin-compatible competitor devices
- RS-232 compatible with  $V_{CC} = 2.7V$
- Meets EIA/TIA-232 and V.28/V.24 specifications at 3V
- Latch-up free
- On-chip voltage converters require only four external 0.1µF capacitors at  $V_{CC} = 3.3V$
- Manual and automatic power-down features
- Ensured mouse driveability (ICL324xE only)
- Receiver hysteresis for improved noise immunity
- Ensured minimum data rate: 250kbps
- Wide power supply range: single +3V to +5.5V
- Low supply current in power-down state: 1µA
- Pb-free (RoHS compliant)

### Applications

- Any system requiring RS-232 communication ports
  - Battery powered, hand-held, and portable equipment
  - Laptop computers and notebooks
  - Modems, printers, and other peripherals
  - Digital cameras
  - Cellular/mobile phones

**Table 1. Summary of Features**

| Part Number | Number of Tx | Number of Rx | Number of Monitor Receivers ( $R_{outb}$ ) | Data Rate (kbps) | Receiver Enable Function? | Ready Output? | Manual Power-Down? | Automatic Power-Down Function? |
|-------------|--------------|--------------|--|------------------|---------------------------|---------------|--------------------|--------------------------------|
| ICL3221E    | 1            | 1            | 0  | 250              | Yes                       | No            | Yes                | Yes                            |
| ICL3222E    | 2            | 2            | 0  | 250              | Yes                       | No            | Yes                | No                             |
| ICL3223E    | 2            | 2            | 0  | 250              | Yes                       | No            | Yes                | Yes                            |
| ICL3232E    | 2            | 2            | 0  | 250              | No                        | No            | No                 | No                             |
| ICL3241E    | 3            | 5            | 2  | 250              | Yes                       | No            | Yes                | No                             |
| ICL3243E    | 3            | 5            | 1  | 250              | No                        | No            | Yes                | Yes                            |

## Contents

|   |           |
|---|-----------|
| <b>1. Overview</b>  | <b>4</b>  |
| 1.1 Typical Operating Circuits  | 4         |
| 1.2 Ordering Information  | 6         |
| 1.3 Pin Configurations  | 9         |
| 1.4 Pin Descriptions  | 10        |
| <b>2. Specifications</b>  | <b>11</b> |
| 2.1 Absolute Maximum Ratings  | 11        |
| 2.2 Thermal Information   | 11        |
| 2.3 Recommended Operating Conditions  | 12        |
| 2.4 Electrical Specifications   | 12        |
| <b>3. Typical Performance Curves</b>  | <b>14</b> |
| <b>4. Application Information</b>   | <b>15</b> |
| 4.1 Charge-Pump   | 15        |
| 4.1.1 Charge-Pump Abs Max Ratings   | 15        |
| 4.2 Transmitters  | 16        |
| 4.3 Receivers   | 16        |
| 4.4 Low Power Operation   | 18        |
| 4.5 Power-Down Functionality (Except ICL3232E)                                | 18        |
| 4.5.1 Software Controlled (Manual) Power-Down                                 | 18        |
| 4.5.2 INVALID Output  | 19        |
| 4.5.3 Automatic Power-Down (ICL3221E, ICL3223E, and ICL3243E Only)            | 20        |
| 4.6 Receiver ENABLE Control (ICL3221E, ICL3222E, ICL3223E, and ICL3241E Only) | 21        |
| 4.7 Capacitor Selection   | 21        |
| 4.8 Power Supply Decoupling   | 21        |
| 4.9 Operation Down to 2.7V  | 21        |
| 4.10 Transmitter Outputs when Exiting Power-Down                              | 22        |
| 4.11 Mouse Driveability   | 22        |
| 4.12 High Data Rates  | 22        |
| 4.13 Interconnection with 3V and 5V Logic                                     | 24        |
| 4.14 Pin-Compatible Replacements for 5V Devices                               | 24        |
| <b>5. ±15kV ESD Protection</b>  | <b>25</b> |
| 5.1 Human Body Model (HBM) Testing  | 25        |
| 5.2 IEC61000-4-2 Testing  | 25        |
| 5.3 Air-Gap Discharge Test Method   | 25        |
| 5.4 Contact Discharge Test Method   | 25        |
| <b>6. Die Characteristics</b>   | <b>26</b> |
| <b>7. Revision History</b>  | <b>27</b> |
| <b>8. Package Outline Drawings</b>  | <b>29</b> |

# 1. Overview

## 1.1 Typical Operating Circuits



Note: The negative terminal of C3 can be connected to either VCC or GND



Note: The negative terminal of C3 can be connected to either VCC or GND



Note: The negative terminal of C<sub>3</sub> can be connected to either V<sub>CC</sub> or GND



## 1.2 Ordering Information

| Part Number<br>(Notes 2, 3) | Part Marking | Temp Range (°C) | Tape and Reel<br>(Units) (Note 1) | Package (RoHS<br>Compliant) | Pkg.<br>Dwg. # |
|-----------------------------|--------------|-----------------|-----------------------------------|-----------------------------|----------------|
| ICL3221ECAZ                 | ICL32 21ECAZ | 0 to +70        | -                                 | 16 Ld SSOP                  | M16.209        |
| ICL3221ECAZ-T               | ICL32 21ECAZ | 0 to +70        | 1k                                | 16 Ld SSOP                  | M16.209        |
| ICL3221ECAZ-T7A             | ICL32 21ECAZ | 0 to +70        | 250                               | 16 Ld SSOP                  | M16.209        |
| ICL3221ECVZ                 | 3221 ECVZ    | 0 to +70        | -                                 | 16 Ld TSSOP                 | M16.173        |
| ICL3221ECVZ-T               | 3221 ECVZ    | 0 to +70        | 2.5k                              | 16 Ld TSSOP                 | M16.173        |
| ICL3221EIAZ                 | ICL32 21EIAZ | -40 to +85      | -                                 | 16 Ld SSOP                  | M16.209        |
| ICL3221EIAZ-T               | ICL32 21EIAZ | -40 to +85      | 1k                                | 16 Ld SSOP                  | M16.209        |
| ICL3221EIAZ-T7A             | ICL32 21EIAZ | -40 to +85      | 250                               | 16 Ld SSOP                  | M16.209        |
| ICL3221EIVZ                 | 3221 EIVZ    | -40 to +85      | -                                 | 16 Ld TSSOP                 | M16.173        |
| ICL3221EIVZ-T               | 3221 EIVZ    | -40 to +85      | 2.5k                              | 16 Ld TSSOP                 | M16.173        |
| ICL3221EIVZ-T7A             | 3221 EIVZ    | -40 to +85      | 250                               | 16 Ld TSSOP                 | M16.173        |
| ICL3222ECAZ                 | ICL32 22ECAZ | 0 to +70        | -                                 | 20 Ld SSOP                  | M20.209        |

| Part Number<br>(Notes 2, 3)  | Part<br>Marking | Temp<br>Range (°C) | Tape and Reel<br>(Units) (Note 1) | Package (RoHS<br>Compliant) | Pkg.<br>Dwg. # |
|--|-----------------|--------------------|-----------------------------------|-----------------------------|----------------|
| ICL3222ECAZ-T  | ICL32 22ECAZ    | 0 to +70           | 1k                                | 20 Ld SSOP                  | M20.209        |
| ICL3222ECVZ  | ICL32 22ECVZ    | 0 to +70           | -                                 | 20 Ld TSSOP                 | M20.173        |
| ICL3222ECVZ-T  | ICL32 22ECVZ    | 0 to +70           | 2.5k                              | 20 Ld TSSOP                 | M20.173        |
| ICL3222EIAZ  | ICL32 22EIAZ    | -40 to +85         | -                                 | 20 Ld SSOP                  | M20.209        |
| ICL3222EIAZ-T  | ICL32 22EIAZ    | -40 to +85         | 1k                                | 20 Ld SSOP                  | M20.209        |
| ICL3222EIBZ  | 3222EIBZ        | -40 to +85         | -                                 | 18 Ld SOIC                  | M18.3          |
| ICL3222EIBZ-T  | 3222EIBZ        | -40 to +85         | 1k                                | 18 Ld SOIC                  | M18.3          |
| ICL3222EIVZ  | ICL32 22EIVZ    | -40 to +85         | -                                 | 20 Ld TSSOP                 | M20.173        |
| ICL3222EIVZ-T  | ICL32 22EIVZ    | -40 to +85         | 2.5k                              | 20 Ld TSSOP                 | M20.173        |
| ICL3223ECAZ  | ICL32 23ECAZ    | 0 to +70           | -                                 | 20 Ld SSOP                  | M20.209        |
| ICL3223ECAZ-T  | ICL32 23ECAZ    | 0 to +70           | 1k                                | 20 Ld SSOP                  | M20.209        |
| ICL3223ECVZ (No longer<br>available, recommended<br>replacement: ICL3223EIVZ)              | ICL32 23ECVZ    | 0 to +70           | -                                 | 20 Ld TSSOP                 | M20.173        |
| ICL3223ECVZ-T (No longer<br>available, recommended<br>replacement: ICL3223EIVZ-T)          | ICL32 23ECVZ    | 0 to +70           | 2.5k                              | 20 Ld TSSOP                 | M20.173        |
| ICL3223EIAZ  | ICL32 23EIAZ    | -40 to +85         | -                                 | 20 Ld SSOP                  | M20.209        |
| ICL3223EIAZ-T  | ICL32 23EIAZ    | -40 to +85         | 1k                                | 20 Ld SSOP                  | M20.209        |
| ICL3223EIVZ  | ICL32 23EIVZ    | -40 to +85         | -                                 | 20 Ld TSSOP                 | M20.173        |
| ICL3223EIVZ-T  | ICL32 23EIVZ    | -40 to +85         | 2.5k                              | 20 Ld TSSOP                 | M20.173        |
| ICL3232ECAZ  | 3232 ECAZ       | 0 to +70           | -                                 | 16 Ld SSOP                  | M16.209        |
| ICL3232ECAZ-T  | 3232 ECAZ       | 0 to +70           | 1k                                | 16 Ld SSOP                  | M16.209        |
| ICL3232ECAZ-T7A  | 3232 ECAZ       | 0 to +70           | 250                               | 16 Ld SSOP                  | M16.209        |
| ICL3232ECBZ  | 3232ECBZ        | 0 to +70           | -                                 | 16 Ld SOIC                  | M16.3          |
| ICL3232ECBZ-T  | 3232ECBZ        | 0 to +70           | 1k                                | 16 Ld SOIC                  | M16.3          |
| ICL3232ECBNZ   | 3232ECBNZ       | 0 to +70           | -                                 | 16 Ld SOIC                  | M16.15         |
| ICL3232ECBNZ-T   | 3232ECBNZ       | 0 to +70           | 2.5k                              | 16 Ld SOIC                  | M16.15         |
| ICL3232ECBNZ-T7A   | 3232ECBNZ       | 0 to +70           | 250                               | 16 Ld SOIC                  | M16.15         |
| ICL3232ECV-16Z   | 3232E CV-16Z    | 0 to +70           | -                                 | 16 Ld TSSOP                 | M16.173        |
| ICL3232ECV-16Z-T   | 3232E CV-16Z    | 0 to +70           | 2.5k                              | 16 Ld TSSOP                 | M16.173        |
| ICL3232ECV-16Z-T7A   | 3232E CV-16Z    | 0 to +70           | 250                               | 16 Ld TSSOP                 | M16.173        |
| ICL3232ECV-20Z (No longer<br>available, recommended<br>replacement: ICL3232EIV-16Z)        | ICL3232 ECV-20Z | 0 to +70           | -                                 | 20 Ld TSSOP                 | M20.173        |
| ICL3232ECV-20Z-T (No longer<br>available, recommended<br>replacement:<br>ICL3232EIV-16Z-T) | ICL3232 ECV-20Z | 0 to +70           | 2.5k                              | 20 Ld TSSOP                 | M20.173        |
| ICL3232EFV-16Z (No longer<br>available, recommended<br>replacement:<br>ICL3232EIV-16Z)     | 3232E FV-16Z    | -40 to +125        | -                                 | 16 Ld TSSOP                 | M16.173        |
| ICL3232EFV-16Z-T (No longer<br>available, recommended<br>replacement: ICL3232EIV-16Z-T)    | 3232E FV-16Z    | -40 to +125        | 2.5k                              | 16 Ld TSSOP                 | M16.173        |
| ICL3232EIAZ  | 3232 EIAZ       | -40 to +85         | -                                 | 16 Ld SSOP                  | M16.209        |
| ICL3232EIAZ-T  | 3232 EIAZ       | -40 to +85         | 1k                                | 16 Ld SSOP                  | M16.209        |
| ICL3232EIBZ  | 3232EIBZ        | -40 to +85         | -                                 | 16 Ld SOIC                  | M16.3          |

| Part Number<br>(Notes 2, 3) | Part Marking    | Temp Range (°C) | Tape and Reel<br>(Units) (Note 1) | Package (RoHS<br>Compliant) | Pkg.<br>Dwg. # |
|-----------------------------|-----------------|-----------------|-----------------------------------|-----------------------------|----------------|
| ICL3232EIBZ-T               | 3232EIBZ        | -40 to +85      | 1k                                | 16 Ld SOIC                  | M16.3          |
| ICL3232EIBNZ                | 3232EIBNZ       | -40 to +85      | -                                 | 16 Ld SOIC                  | M16.15         |
| ICL3232EIBNZ-T              | 3232EIBNZ       | -40 to +85      | 2.5k                              | 16 Ld SOIC                  | M16.15         |
| ICL3232EIV-16Z              | 3232E IV-16Z    | -40 to +85      | -                                 | 16 Ld TSSOP                 | M16.173        |
| ICL3232EIV-16Z-T            | 3232E IV-16Z    | -40 to +85      | 2.5k                              | 16 Ld TSSOP                 | M16.173        |
| ICL3232EIV-16Z-T7A          | 3232E IV-16Z    | -40 to +85      | 250                               | 16 Ld TSSOP                 | M16.173        |
| ICL3232EIV-20Z              | ICL3232 EIV-20Z | -40 to +85      | -                                 | 20 Ld TSSOP                 | M20.173        |
| ICL3232EIV-20Z-T            | ICL3232 EIV-20Z | -40 to +85      | 2.5k                              | 20 Ld TSSOP                 | M20.173        |
| ICL3241ECAZ                 | ICL3241 ECAZ    | 0 to +70        | -                                 | 28 Ld SSOP                  | M28.209        |
| ICL3241ECAZ-T               | ICL3241 ECAZ    | 0 to +70        | 1k                                | 28 Ld SSOP                  | M28.209        |
| ICL3241ECVZ                 | ICL3241 ECVZ    | 0 to +70        | -                                 | 28 Ld TSSOP                 | M28.173        |
| ICL3241ECVZ-T               | ICL3241 ECVZ    | 0 to +70        | 2.5k                              | 28 Ld TSSOP                 | M28.173        |
| ICL3241EIAZ                 | ICL3241 EIAZ    | -40 to +85      | -                                 | 28 Ld SSOP                  | M28.209        |
| ICL3241EIAZ-T               | ICL3241 EIAZ    | -40 to +85      | 1k                                | 28 Ld SSOP                  | M28.209        |
| ICL3241EIVZ                 | ICL3241 EIVZ    | -40 to +85      | -                                 | 28 Ld TSSOP                 | M28.173        |
| ICL3241EIVZ-T               | ICL3241 EIVZ    | -40 to +85      | 2.5k                              | 28 Ld TSSOP                 | M28.173        |
| ICL3243ECAZ                 | ICL32 43ECAZ    | 0 to +70        | -                                 | 28 Ld SSOP                  | M28.209        |
| ICL3243ECAZ-T               | ICL32 43ECAZ    | 0 to +70        | 1k                                | 28 Ld SSOP                  | M28.209        |
| ICL3243ECBZ                 | ICL3243ECBZ     | 0 to +70        | -                                 | 28 Ld SOIC                  | M28.3          |
| ICL3243ECBZ-T               | ICL3243ECBZ     | 0 to +70        | 1k                                | 28 Ld SOIC                  | M28.3          |
| ICL3243ECVZ                 | ICL3243 ECVZ    | 0 to +70        | -                                 | 28 Ld TSSOP                 | M28.173        |
| ICL3243ECVZ-T               | ICL3243 ECVZ    | 0 to +70        | 2.5k                              | 28 Ld TSSOP                 | M28.173        |
| ICL3243EIAZ                 | ICL32 43EIAZ    | -40 to +85      | -                                 | 28 Ld SSOP                  | M28.209        |
| ICL3243EIAZ-T               | ICL32 43EIAZ    | -40 to +85      | 1k                                | 28 Ld SSOP                  | M28.209        |
| ICL3243EIVZ                 | ICL3243 EIVZ    | -40 to +85      | -                                 | 28 Ld TSSOP                 | M28.173        |
| ICL3243EIVZ-T               | ICL3243 EIVZ    | -40 to +85      | 2.5k                              | 28 Ld TSSOP                 | M28.173        |
| ICL3243EIVZ-T7A             | ICL3243 EIVZ    | -40 to +85      | 250                               | 28 Ld TSSOP                 | M28.173        |

## Notes:

1. See [TB347](#) for details about reel specifications.
2. These Pb-free plastic packaged products employ special Pb-free material sets, molding compounds/die attach materials, and 100% matte tin plate plus anneal (e3 termination finish, which is RoHS compliant and compatible with both SnPb and Pb-free soldering operations). Pb-free products are MSL classified at Pb-free peak reflow temperatures that meet or exceed the Pb-free requirements of IPC/JEDEC J STD-020.
3. For Moisture Sensitivity Level (MSL), see the [ICL3221E](#), [ICL3222E](#), [ICL3223E](#), [ICL3232E](#), [ICL3241E](#), [ICL3243E](#) device pages. For more information about MSL, see [TB363](#).



### 1.3 Pin Configurations

ICL3221E  
(16 LD SSOP, TSSOP)  
Top View



ICL3222E  
(18 LD SOIC)  
Top View



ICL3222E  
(20 LD SSOP, TSSOP)  
Top View



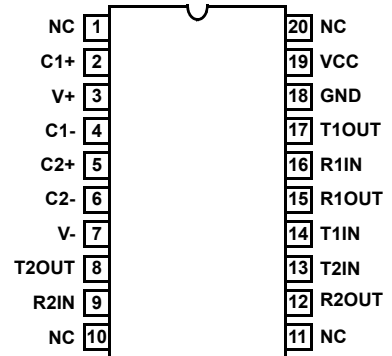
ICL3223E  
(20 LD SSOP, TSSOP)  
Top View



ICL3232E  
(16 LD SOIC, SSOP, TSSOP-16)  
Top View



ICL3232E  
(20 LD TSSOP-20)  
Top View





### 1.4 Pin Descriptions

| Pin      | Function   |
|----------|--|
| VCC      | System power supply input (3.0V to 5.5V)   |
| V+       | Internally generated positive transmitter supply (+5.5V)   |
| V-       | Internally generated negative transmitter supply (-5.5V)   |
| GND      | Ground connection  |
| C1+      | External capacitor (voltage doubler) is connected to this lead   |
| C1-      | External capacitor (voltage doubler) is connected to this lead   |
| C2+      | External capacitor (voltage inverter) is connected to this lead  |
| C2-      | External capacitor (voltage inverter) is connected to this lead  |
| TIN      | TTL/CMOS compatible transmitter inputs   |
| TOUT     | ±15kV ESD protected, RS-232 level (nominally ±5.5V) transmitter outputs  |
| RIN      | ±15kV ESD protected, RS-232 compatible receiver inputs   |
| ROUT     | TTL/CMOS level receiver outputs  |
| ROUTB    | TTL/CMOS level, noninverting, always enabled receiver outputs  |
| INVALID  | Active low output that indicates no valid RS-232 levels are present on any receiver input  |
| EN       | Active low receiver enable control; does not disable R <sub>OUTB</sub> outputs   |
| SHDN     | Active low input to shut down transmitters and on-board power supply to place device in low-power mode   |
| FORCEOFF | Active low to shut down transmitters and on-chip power supply, which overrides any automatic circuitry and FORCEON (see <a href="#">Table 5 on page 18</a> ) |
| FORCEON  | Active high input to override automatic power-down circuitry, which keeps transmitters active (FORCEOFF must be high)  |

## 2. Specifications

### 2.1 Absolute Maximum Ratings

| Parameter                                     | Minimum  | Maximum               | Unit |
|---|--|-----------------------|------|
| V <sub>CC</sub> to GND                        | -0.3   | 6                     | V    |
| V+ to GND                                     | -0.3   | 7                     | V    |
| V- to GND                                     | +0.3   | -7                    | V    |
| V+ to V-                                      |  | 14                    | V    |
| <b>Input Voltages</b>                         |  |                       |      |
| T <sub>IN</sub> , FORCEOFF, FORCEON, EN, SHDN | -0.3   | 6                     | V    |
| R <sub>IN</sub>                               |  | ±28                   | V    |
| <b>Output Voltages</b>                        |  |                       |      |
| T <sub>OUT</sub>                              |  | ±13.2                 | V    |
| R <sub>OUT</sub> , INVALID                    | -0.3   | V <sub>CC</sub> + 0.3 | V    |
| <b>Short-Circuit Duration</b>                 |  |                       |      |
| T <sub>OUT</sub>                              |  | Continuous            |      |
| <b>ESD Rating</b>                             | See <a href="#">"Electrical Specifications" on page 12</a> |                       |      |

### 2.2 Thermal Information

| Thermal Resistance (Typical) <a href="#">Note 4</a> | θ <sub>JA</sub> (°C/W) |
|---|------------------------|
| 16 Ld Wide SOIC Package                             | 100                    |
| 16 Ld Narrow SOIC Package                           | 115                    |
| 18 Ld SOIC Package                                  | 75                     |
| 28 Ld SOIC Package                                  | 75                     |
| 16 Ld SSOP Package                                  | 135                    |
| 20 Ld SSOP Package                                  | 122                    |
| 16 Ld TSSOP Package                                 | 145                    |
| 20 Ld TSSOP Package                                 | 140                    |
| 28 Ld SSOP and TSSOP Packages                       | 100                    |

CAUTION: Do not operate at or near the maximum ratings listed for extended periods of time. Exposure to such conditions can adversely impact product reliability and result in failures not covered by warranty.

Note:

- θ<sub>JA</sub> is measured with the component mounted on a low-effective thermal conductivity test board in free air. See [TB379](#) for details.

| Parameter                                      | Minimum                   | Maximum | Unit |
|--|---------------------------|---------|------|
| Maximum Junction Temperature (Plastic Package) |                           | +150    | °C   |
| Maximum Storage Temperature Range              | -65                       | +150    | °C   |
| Pb-Free Reflow Profile                         | see <a href="#">TB493</a> |         |      |

## 2.3 Recommended Operating Conditions

| Parameter                   | Minimum | Maximum | Unit |
|-----------------------------|---------|---------|------|
| <b>Temperature Range</b>    |         |         |      |
| ICL32xxECX                  | 0°      | +70     | °C   |
| ICL32xxEFX                  | -40°    | +125    | °C   |
| ICL32xxEIX                  | -40     | +85     | °C   |
| Supply Voltage ( $V_{CC}$ ) | 3.3     | 5       | V    |
| Rx Input Voltage            | -15     | +15     | V    |

## 2.4 Electrical Specifications

Test conditions:  $V_{CC} = 3.0V$  to  $5.5V$ ,  $C_1 - C_4 = 0.1\mu F$ ; unless otherwise specified. Typicals are at  $T_A = +25^\circ C$ . **Boldface limits apply across the operating temperature range.**

| Parameter   | Test Conditions   | Temp (°C)   | Min (Note 6)                     | Typ                              | Max (Note 6)               | Unit                        |         |
|---|---|---|----------------------------------|----------------------------------|----------------------------|-----------------------------|---------|
| <b>DC Characteristics</b>   |   |   |                                  |                                  |                            |                             |         |
| Supply Current, Automatic Power-Down  | All $R_{IN}$ Open, FORCEON = GND, FORCEOFF = $V_{CC}$ (ICL3221E, ICL3223E, ICL3243E Only) | 25  | -                                | 1.0                              | 10                         | $\mu A$                     |         |
| Supply Current, Power-Down  | FORCEOFF = SHDN = GND (Except ICL3232E)   | 25  | -                                | 1.0                              | 10                         | $\mu A$                     |         |
| Supply Current, Automatic Power-Down Disabled   | All Outputs Unloaded, FORCEON = $V_{CC}$ , FORCEOFF = SHDN = $V_{CC}$                     | $V_{CC} = 3.0V$ , ICL3241, ICL3243                    | 25                               | -                                | 0.3                        | 1.0                         | mA      |
|   |   | $V_{CC} = 3.0V$ , ICL3223                             | 25                               | -                                | 0.7                        | 3.0                         | mA      |
|   |   | $V_{CC} = 3.15V$ , ICL3221, ICL3222, ICL3223, ICL3232 | 25                               | -                                | 0.3                        | 1.0                         | mA      |
| <b>Logic and Transmitter Inputs, Receiver Outputs</b>   |   |   |                                  |                                  |                            |                             |         |
| Input Logic Threshold Low   | $T_{IN}$ , FORCEON, FORCEOFF, EN, SHDN  | Full  | -                                | -                                | <b>0.8</b>                 | V                           |         |
| Input Logic Threshold High  | $T_{IN}$ , FORCEON, FORCEOFF, EN, SHDN  | $V_{CC} = 3.3V$                                       | Full                             | <b>2.0</b>                       | -                          | -                           | V       |
|   |   | $V_{CC} = 5.0V$                                       | Full                             | <b>2.4</b>                       | -                          | -                           | V       |
| Input Leakage Current   | $T_{IN}$ , FORCEON, FORCEOFF, EN, SHDN  | All but ICL3232EF                                     | Full                             | -                                | $\pm 0.01$                 | <b><math>\pm 1.0</math></b> | $\mu A$ |
|   |   | ICL3232EF   | Full                             | -                                | $\pm 0.01$                 | <b><math>\pm 10</math></b>  | $\mu A$ |
| Output Leakage Current (Except ICL3232E)  | FORCEOFF = GND or EN = $V_{CC}$   | Full  | -                                | $\pm 0.05$                       | <b><math>\pm 10</math></b> | $\mu A$                     |         |
| Output Voltage Low  | $I_{OUT} = 1.6mA$   | Full  | -                                | -                                | <b>0.4</b>                 | V                           |         |
| Output Voltage High   | $I_{OUT} = -1.0mA$  | All but ICL3232EF                                     | Full                             | <b><math>V_{CC} - 0.6</math></b> | $V_{CC} - 0.1$             | -                           | V       |
|   |   | ICL3232EF   | Full                             | <b><math>V_{CC} - 0.9</math></b> | $V_{CC} - 0.1$             | -                           | V       |
| <b>Automatic Powerdown (ICL3221E, ICL3223E, ICL3243E only, FORCEON = GND, FORCEOFF = <math>V_{CC}</math>)</b> |   |   |                                  |                                  |                            |                             |         |
| Receiver Input Thresholds to Enable Transmitters  | ICL32xxE Powers Up (see <a href="#">Figure 6 on page 14</a> )                             | Full  | <b>-2.7</b>                      | -                                | <b>2.7</b>                 | V                           |         |
| Receiver Input Thresholds to Disable Transmitters   | ICL32xxE Powers Down (see <a href="#">Figure 6 on page 14</a> )                           | Full  | <b>-0.3</b>                      | -                                | <b>0.3</b>                 | V                           |         |
| INVALID Output Voltage Low  | $I_{OUT} = 1.6mA$   | Full  | -                                | -                                | <b>0.4</b>                 | V                           |         |
| INVALID Output Voltage High   | $I_{OUT} = -1.0mA$  | Full  | <b><math>V_{CC} - 0.6</math></b> | -                                | -                          | V                           |         |
| Receiver Threshold to Transmitters Enabled Delay ( $t_{WU}$ )   |   | 25  | -                                | 100                              | -                          | $\mu s$                     |         |
| Receiver Positive or Negative Threshold to INVALID High Delay ( $t_{INVH}$ )                                  |   | 25  | -                                | 1                                | -                          | $\mu s$                     |         |

Test conditions:  $V_{CC} = 3.0V$  to  $5.5V$ ,  $C_1 - C_4 = 0.1\mu F$ ; unless otherwise specified. Typicals are at  $T_A = +25^\circ C$ . **Boldface limits apply across the operating temperature range. (Continued)**

| Parameter   | Test Conditions  | Temp (°C)                 | Min (Note 6)                | Typ       | Max (Note 6)               | Unit       |            |
|---|--|---------------------------|-----------------------------|-----------|----------------------------|------------|------------|
| Receiver Positive or Negative Threshold to INVALID Low Delay ( $t_{INVL}$ ) |  | 25                        | -                           | 30        | -                          | $\mu s$    |            |
| <b>Receiver Inputs</b>  |  |                           |                             |           |                            |            |            |
| Input Voltage Range   |  | 25                        | -25                         | -         | 25                         | V          |            |
| Input Threshold Low   | $V_{CC} = 3.3V$  | 25                        | 0.6                         | 1.2       | -                          | V          |            |
|   | $V_{CC} = 5.0V$  | 25                        | 0.8                         | 1.5       | -                          | V          |            |
| Input Threshold High  | $V_{CC} = 3.3V$  | 25                        | -                           | 1.5       | 2.4                        | V          |            |
|   | $V_{CC} = 5.0V$  | 25                        | -                           | 1.8       | 2.4                        | V          |            |
| Input Hysteresis  |  | 25                        | -                           | 0.5       | -                          | V          |            |
| Input Resistance  |  | 25                        | 3                           | 5         | 7                          | k $\Omega$ |            |
| <b>Transmitter Outputs</b>  |  |                           |                             |           |                            |            |            |
| Output Voltage Swing  | All Transmitter Outputs Loaded with 3k $\Omega$ to Ground  | Full                      | <b><math>\pm 5.0</math></b> | $\pm 5.4$ | -                          | V          |            |
| Output Resistance   | $V_{CC} = V+ = V- = 0V$ , Transmitter Output = $\pm 2V$  | Full                      | <b>300</b>                  | 10M       | -                          | $\Omega$   |            |
| Output Short-Circuit Current  |  | Full                      | -                           | $\pm 35$  | <b><math>\pm 60</math></b> | mA         |            |
| Output Leakage Current  | $V_{OUT} = \pm 12V$ , $V_{CC} = 0V$ or $3V$ to $5.5V$ , Automatic Power-Down or FORCEOFF = SHDN = GND  | Full                      | -                           | -         | <b><math>\pm 25</math></b> | $\mu A$    |            |
| <b>Mouse Driveability (ICL324XE Only)</b>                                   |  |                           |                             |           |                            |            |            |
| Transmitter Output Voltage (see Figure 15 on page 22)                       | $T1_{IN} = T2_{IN} = GND$ , $T3_{IN} = V_{CC}$ , $T3_{OUT}$ Loaded with 3k $\Omega$ to GND, $T1_{OUT}$ and $T2_{OUT}$ Loaded with 2.5mA Each | Full                      | <b><math>\pm 5</math></b>   | -         | -                          | V          |            |
| <b>Timing Characteristics</b>   |  |                           |                             |           |                            |            |            |
| Maximum Data Rate   | $R_L = 3k\Omega$ , $C_L = 1000pF$ , One Transmitter Switching  | Full                      | <b>250</b>                  | 500       | -                          | kbps       |            |
| Receiver Propagation Delay  | Receiver Input to Receiver Output, $C_L = 150pF$   | $t_{PHL}$                 | 25                          | -         | 0.15                       | $\mu s$    |            |
|   |  | $t_{PLH}$                 | 25                          | -         | 0.15                       | $\mu s$    |            |
| Receiver Output Enable Time   | Normal Operation (Except ICL3232E)   | 25                        | -                           | 200       | -                          | ns         |            |
| Receiver Output Disable Time  | Normal Operation (Except ICL3232E)   | 25                        | -                           | 200       | -                          | ns         |            |
| Transmitter Skew  | $t_{PHL}$ to $t_{PLH}$ (Note 5)  | 25                        | -                           | 100       | -                          | ns         |            |
| Receiver Skew   | $t_{PHL}$ to $t_{PLH}$   | 25                        | -                           | 50        | -                          | ns         |            |
| Transition Region Slew Rate   | $V_{CC} = 3.3V$ , $R_L = 3k\Omega$ to $7k\Omega$ , Measured from 3V to -3V or -3V to 3V  | $C_L = 150pF$ to $2500pF$ | 25                          | 4         | -                          | 30         | V/ $\mu s$ |
|   |  | $C_L = 150pF$ to $1000pF$ | 25                          | 6         | -                          | 30         | V/ $\mu s$ |
| <b>ESD Performance</b>  |  |                           |                             |           |                            |            |            |
| RS-232 Pins (TOUT, RIN)   | Human Body Model   | 25                        | -                           | $\pm 15$  | -                          | kV         |            |
|   | IEC61000-4-2 Contact Discharge   | 25                        | -                           | $\pm 8$   | -                          | kV         |            |
|   | IEC61000-4-2 Air Gap Discharge   | 25                        | -                           | $\pm 15$  | -                          | kV         |            |
| All Other Pins  | Human Body Model   | 25                        | -                           | $\pm 2$   | -                          | kV         |            |

Notes:

- Transmitter skew is measured at the transmitter zero crossing points.
- Parameters with Min and/or Max limits are 100% tested at  $+25^\circ C$ , unless otherwise specified. Temperature limits established by characterization and are not production tested.

### 3. Typical Performance Curves

$V_{CC} = 3.3V, T_A = +25^{\circ}C.$



Figure 1. Transmitter Output Voltage vs Load Capacitance

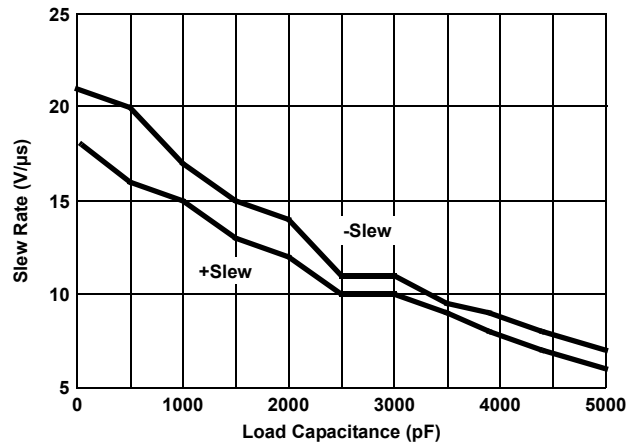


Figure 2. Slew Rate vs Load Capacitance



Figure 3. Supply Current vs Load Capacitance When Transmitting Data

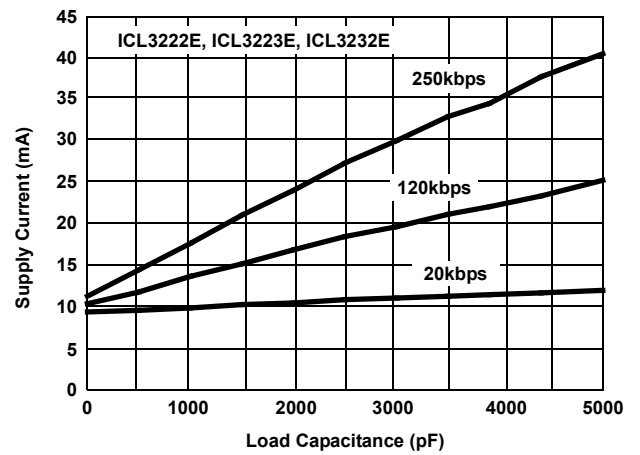


Figure 4. Supply Current vs Load Capacitance When Transmitting Data



Figure 5. Supply Current vs Load Capacitance When Transmitting Data

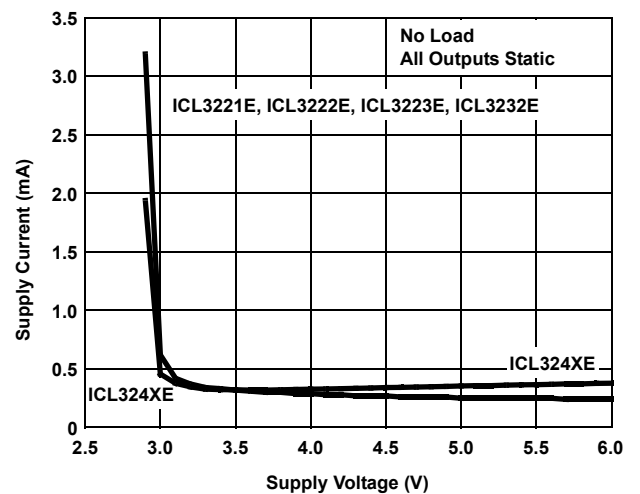


Figure 6. Supply Current vs Supply Voltage

## 4. Application Information

The ICL32xxE interface ICs operate from a single +3V to +5.5V supply, ensure a 250kbps minimum data rate, require only four small external 0.1µF capacitors, feature low power consumption, and meet all EIA RS-232C and V.28 specifications.

### 4.1 Charge-Pump

The ICL32xxE family uses regulated on-chip dual charge-pumps as voltage doublers, and voltage inverters to generate ±5.5V transmitter supplies from a  $V_{CC}$  supply as low as 3.0V. The charge-pumps allow the devices to maintain RS-232 compliant output levels over the ±10% tolerance range of 3.3V powered systems. The efficient on-chip power supplies require only four small external 0.1µF capacitors for the voltage doubler and inverter functions at  $V_{CC} = 3.3V$ . See [“Capacitor Selection” on page 21](#) and [Table 6 on page 21](#) for capacitor recommendations for other operating conditions. The charge-pumps operate discontinuously (they turn off as soon as the V+ and V- supplies are pumped up to the nominal values) and provide significant power savings.

#### 4.1.1 Charge-Pump Abs Max Ratings

These 3V to 5V RS-232 transceivers have been fully characterized for 3.0V to 3.6V operation, and at critical points for 4.5V to 5.5V operation. Furthermore, load conditions were favorable using static logic states only.

The specified maximum values for V+ and V- are +7V and -7V, respectively. These limits apply for  $V_{CC}$  values set to 3.0V and 3.6V (see [Table 2](#)). For  $V_{CC}$  values set to 4.5V and 5.5V, the maximum values for V+ and V- can approach +9V and -7V, respectively ([Table 3](#)). The breakdown characteristics for V+ and V- were measured with ±13V.

**Table 2. V+ and V- Values for  $V_{CC} = 3.0V$  to 3.6V**

| C <sub>1</sub> (µF) | C <sub>2</sub> , C <sub>3</sub> , C <sub>4</sub> (µF) | Load          | T1IN<br>(Logic State) | V+ (V)                 |                        | V- (V)                 |                        |
|---------------------|---|---------------|-----------------------|------------------------|------------------------|------------------------|------------------------|
|                     |   |               |                       | V <sub>CC</sub> = 3.0V | V <sub>CC</sub> = 3.6V | V <sub>CC</sub> = 3.0V | V <sub>CC</sub> = 3.6V |
| 0.1                 | 0.1   | Open          | H                     | 5.80                   | 6.56                   | -5.60                  | -5.88                  |
|                     |   |               | L                     | 5.80                   | 6.56                   | -5.60                  | -5.88                  |
|                     |   |               | 2.4kbps               | 5.80                   | 6.56                   | -5.60                  | -5.88                  |
|                     |   | 3kΩ // 1000pF | H                     | 5.88                   | 6.60                   | -5.56                  | -5.92                  |
|                     |   |               | L                     | 5.76                   | 6.36                   | -5.56                  | -5.76                  |
|                     |   |               | 2.4kbps               | 6.00                   | 6.64                   | -5.64                  | -5.96                  |
| 0.047               | 0.33  | Open          | H                     | 5.68                   | 6.00                   | -5.60                  | -5.60                  |
|                     |   |               | L                     | 5.68                   | 6.00                   | -5.60                  | -5.60                  |
|                     |   |               | 2.4kbps               | 5.68                   | 6.00                   | -5.60                  | -5.60                  |
|                     |   | 3kΩ // 1000pF | H                     | 5.76                   | 6.08                   | -5.64                  | -5.64                  |
|                     |   |               | L                     | 5.68                   | 6.04                   | -5.60                  | -5.60                  |
|                     |   |               | 2.4kbps               | 5.84                   | 6.16                   | -5.64                  | -5.72                  |
| 1                   | 1   | Open          | H                     | 5.88                   | 6.24                   | -5.60                  | -5.60                  |
|                     |   |               | L                     | 5.88                   | 6.28                   | -5.60                  | -5.64                  |
|                     |   |               | 2.4kbps               | 5.80                   | 6.20                   | -5.60                  | -5.60                  |
|                     |   | 3kΩ // 1000pF | H                     | 5.88                   | 6.44                   | -5.64                  | -5.72                  |
|                     |   |               | L                     | 5.88                   | 6.04                   | -5.64                  | -5.64                  |
|                     |   |               | 2.4kbps               | 5.92                   | 6.40                   | -5.64                  | -5.64                  |

**Table 3. V+ and V- Values for  $V_{CC} = 4.5V$  to  $5.5V$** 

| C <sub>1</sub> (μF) | C <sub>2</sub> , C <sub>3</sub> , C <sub>4</sub> (μF) | Load          | T1IN<br>(Logic State) | V+ (V)                 |                        | V- (V)                 |                        |
|---------------------|---|---------------|-----------------------|------------------------|------------------------|------------------------|------------------------|
|                     |   |               |                       | V <sub>CC</sub> = 4.5V | V <sub>CC</sub> = 5.5V | V <sub>CC</sub> = 4.5V | V <sub>CC</sub> = 5.5V |
| 0.1                 | 0.1   | Open          | H                     | 7.44                   | 8.48                   | -6.16                  | -6.40                  |
|                     |   |               | L                     | 7.44                   | 8.48                   | -6.16                  | -6.44                  |
|                     |   |               | 2.4kbps               | 7.44                   | 8.48                   | -6.17                  | -6.44                  |
|                     |   | 3kΩ // 1000pF | H                     | 7.76                   | 8.88                   | -6.36                  | -6.72                  |
|                     |   |               | L                     | 7.08                   | 8.00                   | -5.76                  | -5.76                  |
|                     |   |               | 2.4kbps               | 7.76                   | 8.84                   | -6.40                  | -6.64                  |
| 0.047               | 0.33  | Open          | H                     | 6.44                   | 6.88                   | -5.80                  | -5.88                  |
|                     |   |               | L                     | 6.48                   | 6.88                   | -5.84                  | -5.88                  |
|                     |   |               | 2.4kbps               | 6.44                   | 6.88                   | -5.80                  | -5.88                  |
|                     |   | 3kΩ // 1000pF | H                     | 6.64                   | 7.28                   | -5.92                  | -6.04                  |
|                     |   |               | L                     | 6.24                   | 6.60                   | -5.52                  | -5.52                  |
|                     |   |               | 2.4kbps               | 6.72                   | 7.16                   | -5.92                  | -5.96                  |
| 1                   | 1   | Open          | H                     | 6.84                   | 7.60                   | -5.76                  | -5.76                  |
|                     |   |               | L                     | 6.88                   | 7.60                   | -5.76                  | -5.76                  |
|                     |   |               | 2.4kbps               | 6.92                   | 7.56                   | -5.72                  | -5.76                  |
|                     |   | 3kΩ // 1000pF | H                     | 7.28                   | 8.16                   | -5.80                  | -5.92                  |
|                     |   |               | L                     | 6.44                   | 6.84                   | -5.64                  | -6.84                  |
|                     |   |               | 2.4kbps               | 7.08                   | 7.76                   | -5.80                  | -5.80                  |

The resulting new maximum voltages at V+ and V- are listed in [Table 4](#).

**Table 4. New Measured Withstanding Voltages**

|                  |      |
|------------------|------|
| V+, V- to Ground | ±13V |
| V+ to V-         | 20V  |

## 4.2 Transmitters

The transmitters are proprietary, low dropout, inverting drivers that translate TTL/CMOS inputs to EIA/TIA-232 output levels. The transmitters are coupled with the on-chip ±5.5V supplies and deliver true RS-232 levels across a wide range of single supply system voltages.

Except for the ICL3232E, all transmitter outputs disable and assume a high impedance state when the device enters the power-down mode (see [Table 5 on page 18](#)). The outputs can be driven to ±12V when disabled.

All devices operate at a 250kbps data rate for full load conditions (3kΩ and 1000pF),  $V_{CC} \geq 3.0V$ , with one transmitter operating at full speed. Under more typical conditions of  $V_{CC} \geq 3.3V$ ,  $R_L = 3k\Omega$ , and  $C_L = 250pF$ , one transmitter easily operates at 900kbps.

The transmitter inputs float if left unconnected and can increase  $I_{CC}$ . Connect unused inputs to GND for the best performance.

## 4.3 Receivers

All the ICL32xxE devices except for the ICL3232E contain standard inverting receivers that three-state from the EN or FORCEOFF control lines. The two ICL324XE devices include noninverting (monitor) receivers (denoted by the ROUTB label) that are always active, regardless of the state of any control lines. All the receivers convert RS-232 signals to CMOS output levels and accept inputs up to ±25V while presenting the required 3kΩ to 7kΩ input impedance (see [Figure 7](#)) even if the power is off ( $V_{CC} = 0V$ ). The receivers' Schmitt trigger input stage uses hysteresis to increase noise immunity and decrease errors due to slow input signal transitions.





Figure 7. Inverting Receiver Connections

The ICL3221E, ICL3222E, ICL3223E, and ICL3241E inverting receivers disable only when  $\overline{EN}$  is driven high. The ICL3243E receiver disables during forced (manual) power-down, but not during automatic power-down (see [Table 5 on page 18](#)).

The ICL3241E and ICL3243E monitor receivers remain active even during manual power-down and forced receiver disable, which makes them extremely useful for Ring Indicator monitoring. Standard receivers driving powered down peripherals must be disabled to prevent current flow through the peripheral's protection diodes (see [Figures 8](#) and [9](#)). When disabled, the receivers cannot be used for wake up functions, but the corresponding monitor receiver can be dedicated to this task, as shown in [Figure 9](#).



Figure 8. Power Drain Through Powered Down Peripheral



Figure 9. Disabled Receivers Prevent Power Drain

## 4.4 Low Power Operation

These 3V devices require a nominal supply current of 0.3mA, even at  $V_{CC} = 5.5V$ , during normal operation (not in power-down mode). This current is considerably less than the 5mA to 11mA current required by comparable 5V RS-232 devices and allows you to reduce system power simply by switching to this family.

## 4.5 Power-Down Functionality (Except ICL3232E)

The already low current requirement drops significantly when the device enters power-down mode. In power-down, the supply current drops to 1 $\mu$ A because the on-chip charge pump turns off ( $V+$  collapses to  $V_{CC}$  and  $V-$  collapses to GND), and the transmitter outputs three-state. Inverting receiver outputs may disable in power-down; see [Table 5](#) for details. This micro-power mode makes these devices ideal for battery powered and portable applications.

### 4.5.1 Software Controlled (Manual) Power-Down

Most devices in the ICL32xxE family provide pins that allow you to force the IC into the low power standby state.

On the ICL3222E and ICL3241E, the power-down control is a simple shutdown ( $\overline{SHDN}$ ) pin. Driving this pin high enables normal operation, and driving it low forces the IC into its power-down state. Connect  $\overline{SHDN}$  to  $V_{CC}$  if the power-down function is not needed. Note that all the receiver outputs remain enabled during shutdown (see [Table 5](#)). For the lowest power consumption during power-down, the receivers should also be disabled by driving the  $\overline{EN}$  input high (see [“Receiver ENABLE Control \(ICL3221E, ICL3222E, ICL3223E, and ICL3241E Only\)”](#) on [page 21](#) and [Figures 8](#) and [9](#)).

The ICL3221E, ICL3223E, and ICL3243E use a two pin approach in which the FORCEON and  $\overline{FORCEOFF}$  inputs determine the IC's mode. For always enabled operation, FORCEON and  $\overline{FORCEOFF}$  are both strapped high. Under logic or software control, only the  $\overline{FORCEOFF}$  input needs to be driven to switch between active and power-down modes. The FORCEON state is not critical because  $\overline{FORCEOFF}$  overrides FORCEON. However, if strictly manual control over power-down is needed, you must strap FORCEON high to disable the automatic power-down circuitry. The ICL3243E inverting (standard) receiver outputs also disable when the device is in manual power-down, which eliminates the possible current path through a shutdown peripheral's input protection diode (see [Figures 8](#) and [9](#)).

**Table 5. Power-Down and Enable Logic Truth Table**

| RS-232 Signal Present at Receiver Input? | $\overline{FORCEOFF}$ or SHDN Input | FORCEON Input | $\overline{EN}$ Input | Transmitter Outputs | Receiver Outputs | $R_{OUTB}$ Outputs ( <a href="#">Note 7</a> ) | $\overline{INVALID}$ Output | Mode of Operation                           |
|--|-------------------------------------|---------------|-----------------------|---------------------|------------------|---|-----------------------------|---|
| <b>ICL3222E, ICL3241E</b>                |                                     |               |                       |                     |                  |   |                             |   |
| N/A                                      | L                                   | N/A           | L                     | High-Z              | Active           | Active  | N/A                         | Manual Power-Down                           |
| N/A                                      | L                                   | N/A           | H                     | High-Z              | High-Z           | Active  | N/A                         | Manual Power-Down with Receiver Disabled    |
| N/A                                      | H                                   | N/A           | L                     | Active              | Active           | Active  | N/A                         | Normal Operation                            |
| N/A                                      | H                                   | N/A           | H                     | Active              | High-Z           | Active  | N/A                         | Normal Operation with Receiver Disabled     |
| <b>ICL3221E, ICL3223E</b>                |                                     |               |                       |                     |                  |   |                             |   |
| No                                       | H                                   | H             | L                     | Active              | Active           | N/A   | L                           | Normal Operation (Auto Power-Down Disabled) |
| No                                       | H                                   | H             | H                     | Active              | High-Z           | N/A   | L                           |   |
| Yes                                      | H                                   | L             | L                     | Active              | Active           | N/A   | H                           | Normal Operation (Auto Power-Down Enabled)  |
| Yes                                      | H                                   | L             | H                     | Active              | High-Z           | N/A   | H                           |   |
| No                                       | H                                   | L             | L                     | High-Z              | Active           | N/A   | L                           | Power-Down Due to Auto Power-Down Logic     |
| No                                       | H                                   | L             | H                     | High-Z              | High-Z           | N/A   | L                           |   |
| Yes                                      | L                                   | X             | L                     | High-Z              | Active           | N/A   | H                           | Manual Power-Down                           |

**Table 5. Power-Down and Enable Logic Truth Table (Continued)**

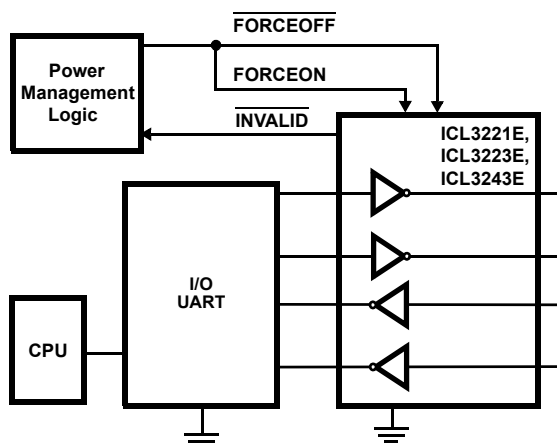
| RS-232 Signal Present at Receiver Input? | $\overline{\text{FORCEOFF}}$ or $\overline{\text{SHDN}}$ Input | FORCEON Input | $\overline{\text{EN}}$ Input | Transmitter Outputs | Receiver Outputs | R <sub>OUTB</sub> Outputs (Note 7) | $\overline{\text{INVALID}}$ Output | Mode of Operation                           |
|--|--|---------------|------------------------------|---------------------|------------------|------------------------------------|------------------------------------|---|
| Yes                                      | L  | X             | H                            | High-Z              | High-Z           | N/A                                | H                                  | Manual Power-Down with Receiver Disabled    |
| No                                       | L  | X             | L                            | High-Z              | Active           | N/A                                | L                                  | Manual Power-Down                           |
| No                                       | L  | X             | H                            | High-Z              | High-Z           | N/A                                | L                                  | Manual Power-Down with Receiver Disabled    |
| <b>ICL3243E</b>                          |  |               |                              |                     |                  |                                    |                                    |   |
| No                                       | H  | H             | N/A                          | Active              | Active           | Active                             | L                                  | Normal Operation (Auto Power-Down Disabled) |
| Yes                                      | H  | L             | N/A                          | Active              | Active           | Active                             | H                                  | Normal Operation (Auto Power-Down Enabled)  |
| No                                       | H  | L             | N/A                          | High-Z              | Active           | Active                             | L                                  | Power-Down Due to Auto Power-Down Logic     |
| Yes                                      | L  | X             | N/A                          | High-Z              | High-Z           | Active                             | H                                  | Manual Power-Down                           |
| No                                       | L  | X             | N/A                          | High-Z              | High-Z           | Active                             | L                                  | Manual Power-Down                           |

Note:

7. Applies only to the ICL3241E and ICL3243E.

### 4.5.2 $\overline{\text{INVALID}}$ Output

The  $\overline{\text{INVALID}}$  output always indicates whether a valid RS-232 signal is present at any of the receiver inputs (see [Table 5](#)) and provides an easy way to determine when the interface block should power down. If an interface cable is disconnected and all the receiver inputs are floating (but pulled to GND by the internal receiver pull down resistors), the  $\overline{\text{INVALID}}$  logic detects the invalid levels and drives the output low. The power management logic then uses this indicator to power down the interface block. Reconnecting the cable restores valid levels at the receiver inputs,  $\overline{\text{INVALID}}$  switches high, and the power management logic wakes up the interface block.  $\overline{\text{INVALID}}$  can also indicate the DTR or RING INDICATOR signal as long as the other receiver inputs are floating or driven to GND (as in the case of a powered down driver). Connecting FORCEOFF and FORCEON together disables the automatic power-down feature and enables them to function as a manual SHUTDOWN input (see [Figure 10](#)).



**Figure 10. Connections For Manual Power-Down When no Valid Receiver Signals are Present**

With any of the control schemes, the time required to exit power-down and resume transmission is 100µs. A mouse or other application may need more time to wake up from shutdown. If automatic power-down is used, the RS-232 device reenters power-down if valid receiver levels are not reestablished within 30µs of the ICL32xxE

powering up. [Figure 11](#) shows a circuit that prevents the ICL32xxE from initiating automatic power-down for 100ms after powering up. The delay gives the slow-to-wake peripheral circuit time to reestablish valid RS-232 output levels.



Figure 11. Circuit to Prevent Auto Power-Down For 100ms After Forced Power-Up

### 4.5.3 Automatic Power-Down (ICL3221E, ICL3223E, and ICL3243E Only)

Even greater power savings are available by using the ICL3221E, ICL3223E, or ICL3243E’s automatic power-down function. When no valid RS-232 voltages are sensed on any receiver input for 30µs (see [Figure 12](#)), the charge-pump and transmitters power down and reduce the supply current to 1µA. Invalid receiver levels occur whenever the driving peripheral’s outputs are shut off (powered down) or when the RS-232 interface cable is disconnected. The ICL32xxE powers back up whenever it detects a valid RS-232 voltage level on any receiver input. The automatic power-down feature provides additional system power savings without changes to the existing operating system.



Figure 12. Definition of Valid RS-232 Receiver Levels

Automatic power-down operates when the FORCEON input is low and the FORCEOFF input is high. Tying FORCEON high disables automatic power-down, but manual power-down is always available with the overriding FORCEOFF input. [Table 5 on page 18](#) summarizes the automatic power-down functionality.

Devices with the automatic power-down feature include an INVALID output signal that switches low to indicate that invalid levels have persisted on all of the receiver inputs for more than 30µs (see [Figure 13](#)). INVALID switches high 1µs after detecting a valid RS-232 level on a receiver input. INVALID operates in all modes (forced or automatic power-down, or forced on), so it is also useful for systems employing manual power-down circuitry. When automatic power-down is used, INVALID = 0 indicates that the ICL32xxE is in power-down mode.

The time to recover from automatic power-down mode is typically 100µs.



Figure 13. Automatic Power-Down and  $\overline{\text{INVALID}}$  Timing Diagrams

#### 4.6 Receiver ENABLE Control (ICL3221E, ICL3222E, ICL3223E, and ICL3241E Only)

The ICL3221E, ICL3222E, ICL3223E, and ICL3241E also feature an  $\overline{\text{EN}}$  input to control the receiver outputs. Driving  $\overline{\text{EN}}$  high disables all the inverting (standard) receiver outputs and places them in a high impedance state. The high impedance state is useful for eliminating supply current, due to a receiver output forward biasing the protection diode when driving the input of a powered down ( $V_{\text{CC}} = \text{GND}$ ) peripheral (see [Figure 8 on page 17](#)). The enable input has no effect on transmitter or monitor ( $R_{\text{OUTB}}$ ) outputs.

#### 4.7 Capacitor Selection

The charge-pumps require 0.1  $\mu\text{F}$  capacitors for 3.3V operation. For other supply voltages, see [Table 6](#) for capacitor values. Do not use values smaller than those listed in [Table 6](#). Increasing the capacitor values (by a factor of 2) reduces ripple on the transmitter outputs and slightly reduces power consumption.  $C_2$ ,  $C_3$ , and  $C_4$  can be increased without increasing  $C_1$ 's value; however, do not increase  $C_1$  without also increasing  $C_2$ ,  $C_3$ , and  $C_4$  to maintain the proper ratios ( $C_1$  to the other capacitors).

When using minimum required capacitor values, make sure that capacitor values do not degrade excessively with temperature. If in doubt, use capacitors with a larger nominal value. The capacitor's Equivalent Series Resistance (ESR) usually rises at low temperatures and it influences the amount of ripple on  $V_+$  and  $V_-$ .

Table 6. Required Capacitor Values

| $V_{\text{CC}}$ (V) | $C_1$ ( $\mu\text{F}$ ) | $C_2, C_3, C_4$ ( $\mu\text{F}$ ) |
|---------------------|-------------------------|-----------------------------------|
| 3.0 to 3.6          | 0.1                     | 0.1                               |
| 4.5 to 5.5          | 0.047                   | 0.33                              |
| 3.0 to 5.5          | 0.1                     | 0.47                              |

#### 4.8 Power Supply Decoupling

In most circumstances, a 0.1  $\mu\text{F}$  bypass capacitor is adequate. In applications that are particularly sensitive to power supply noise, decouple  $V_{\text{CC}}$  to ground with a capacitor of the same value as the charge-pump capacitor  $C_1$ . Connect the bypass capacitor as close as possible to the IC.

#### 4.9 Operation Down to 2.7V

The ICL32xxE transmitter outputs meet RS-562 levels ( $\pm 3.7\text{V}$ ) at full data rate, with  $V_{\text{CC}}$  as low as 2.7V. RS-562 levels typically ensure interoperability with RS-232 devices.

### 4.10 Transmitter Outputs when Exiting Power-Down

Figure 14 shows the response of two transmitter outputs when exiting power-down mode. As they activate, the two transmitter outputs properly go to opposite RS-232 levels, with no glitching, ringing, or undesirable transients. Each transmitter is loaded with 3kΩ in parallel with 2500pF. Note that the transmitters enable only when the magnitude of the supplies exceeds approximately 3V.



Figure 14. TRansmitter Outputs When Exiting Power-Down

### 4.11 Mouse Driveability

The ICL3241E and ICL3243E are specifically designed to power a serial mouse while operating from low voltage supplies. Figure 15 shows the transmitter output voltages under increasing load current. The on-chip switching regulator ensures the transmitters supply at least ±5V during worst case conditions (15mA for paralleled V+ transmitters, 7.3mA for a single V- transmitter). The Automatic Power-Down feature does not work with a mouse, so FORCEOFF and FORCEON should be connected to VCC.



Figure 15. Transmitter Output Voltage vs Load Current (Per Transmitter, Double Current Axis for Total V<sub>OUT+</sub> Current)

### 4.12 High Data Rates

The ICL32xxE devices maintain the RS-232 ±5V minimum transmitter output voltages even at high data rates. Figure 16 shows a transmitter loopback test circuit and Figure 17 shows the loopback test result at 120kbps. For this test, all transmitters were simultaneously driving RS-232 loads in parallel with 1000pF at 120kbps. Figure 18 shows the loopback results for a single transmitter driving 1000pF and an RS-232 load at 250kbps. The static transmitters were also loaded with an RS-232 receiver.



Figure 16. Transmitter Loopback Test Circuit



Figure 17. Loopback Test at 120kbps



Figure 18. Loopback Test at 250kbps

### 4.13 Interconnection with 3V and 5V Logic

The ICL32Exx devices directly interface with 5V CMOS and TTL logic families. The AC, HC, and CD4000 outputs can drive ICL32Exx inputs with the ICL32Exx at 3.3V and the logic supply at 5V, but ICL32Exx outputs do not reach the minimum  $V_{IH}$  for these logic families. See [Table 7](#).

**Table 7. Logic Family Compatibility with Various Supply Voltages**

| System Power Supply Voltage (V) | V <sub>CC</sub> Supply Voltage (V) | Compatibility  |
|---------------------------------|------------------------------------|--|
| 3.3                             | 3.3                                | Compatible with all CMOS families  |
| 5                               | 5                                  | Compatible with all TTL and CMOS logic families  |
| 5                               | 3.3                                | Compatible with ACT and HCT CMOS, and with TTL. ICL32XX outputs are incompatible with AC, HC, and CD4000 CMOS inputs |

### 4.14 Pin-Compatible Replacements for 5V Devices

The ICL3221E, ICL3222E, and ICL3232E are pin-compatible with existing 5V RS-232 transceivers. See [“Features” on page 1](#) for more information.

The pin compatibility coupled with the low  $I_{CC}$  and wide operating supply range make the ICL32xxE potential lower power, higher performance drop-in replacements for existing 5V applications. The ICL32xxE works in most 5V applications as long as the  $\pm 5V$  RS-232 output swings are acceptable and transmitter input pull-up resistors are not required.

When replacing a device in an existing 5V application, you can terminate  $C_3$  to  $V_{CC}$  as shown in the [“Typical Operating Circuits” on page 4](#). If possible, terminate  $C_3$  to GND for slightly better performance.



## 5. ±15kV ESD Protection

All pins on the ICL32Exx devices include ESD protection structures, but the ICL32xxE family incorporates advanced structures that allow the RS-232 pins (transmitter outputs and receiver inputs) to survive ESD events up to ±15kV. The RS-232 pins are particularly vulnerable to ESD damage because they typically connect to an exposed port on the exterior of the finished product. Touching the port pins or connecting a cable, can cause an ESD event that might destroy unprotected ICs. The ESD structures protect the device whether or not it is powered up, protect without allowing any latch-up mechanism to activate, and do not interfere with RS-232 signals as large as ±25V.

### 5.1 Human Body Model (HBM) Testing

This test method emulates the ESD event delivered to an IC during human handling. The tester delivers the charge through a 1.5kΩ current limiting resistor and makes the test less severe than the IEC61000 test, which uses a 330Ω limiting resistor. The HBM method determines an IC's ability to withstand the ESD transients typically present during handling and manufacturing. Due to the random nature of these events, each pin is tested with respect to all other pins. The RS-232 pins on "E" family devices can withstand HBM ESD events to ±15kV.

### 5.2 IEC61000-4-2 Testing

The IEC61000 test method applies to finished equipment rather than to an individual IC. Therefore, the pins most likely to suffer an ESD event are those that are exposed to the outside world (the RS-232 pins in this case), and the IC is tested in its typical application configuration (power applied) rather than testing each pin-to-pin combination. The lower current limiting resistor coupled with the larger charge storage capacitor yields a test that is much more severe than the HBM test. The extra ESD protection built into this device's RS-232 pins allows the design of equipment meeting level 4 criteria without the need for additional board level protection on the RS-232 port.

### 5.3 Air-Gap Discharge Test Method

For the air-gap discharge test method, a charged probe tip moves toward the IC pin until the voltage arcs to it. The current waveform delivered to the IC pin depends on factors such as approach speed, humidity, and temperature, so it is difficult to obtain repeatable results. The "E" device RS-232 pins withstand ±15kV air-gap discharges.

### 5.4 Contact Discharge Test Method

During the contact discharge test, the probe contacts the tested pin before the probe tip is energized and eliminates the variables associated with the air-gap discharge. The test is more repeatable and predictable, but equipment limits prevent testing devices at voltages higher than ±8kV. All "E" family devices survive ±8kV contact discharges on the RS-232 pins.

## 6. Die Characteristics

**Table 8. Die and Assembly Related Information**

|  |              |
|--|--------------|
| Substrate and QFN Thermal Pad Potential (Powered Up) | GND          |
| <b>Transistor Count</b>                              |              |
| ICL3221E   | 286          |
| ICL3222E   | 338          |
| ICL3223E   | 357          |
| ICL3232E   | 296          |
| ICL324xE   | 464          |
| Process  | Si Gate CMOS |

## 7. Revision History

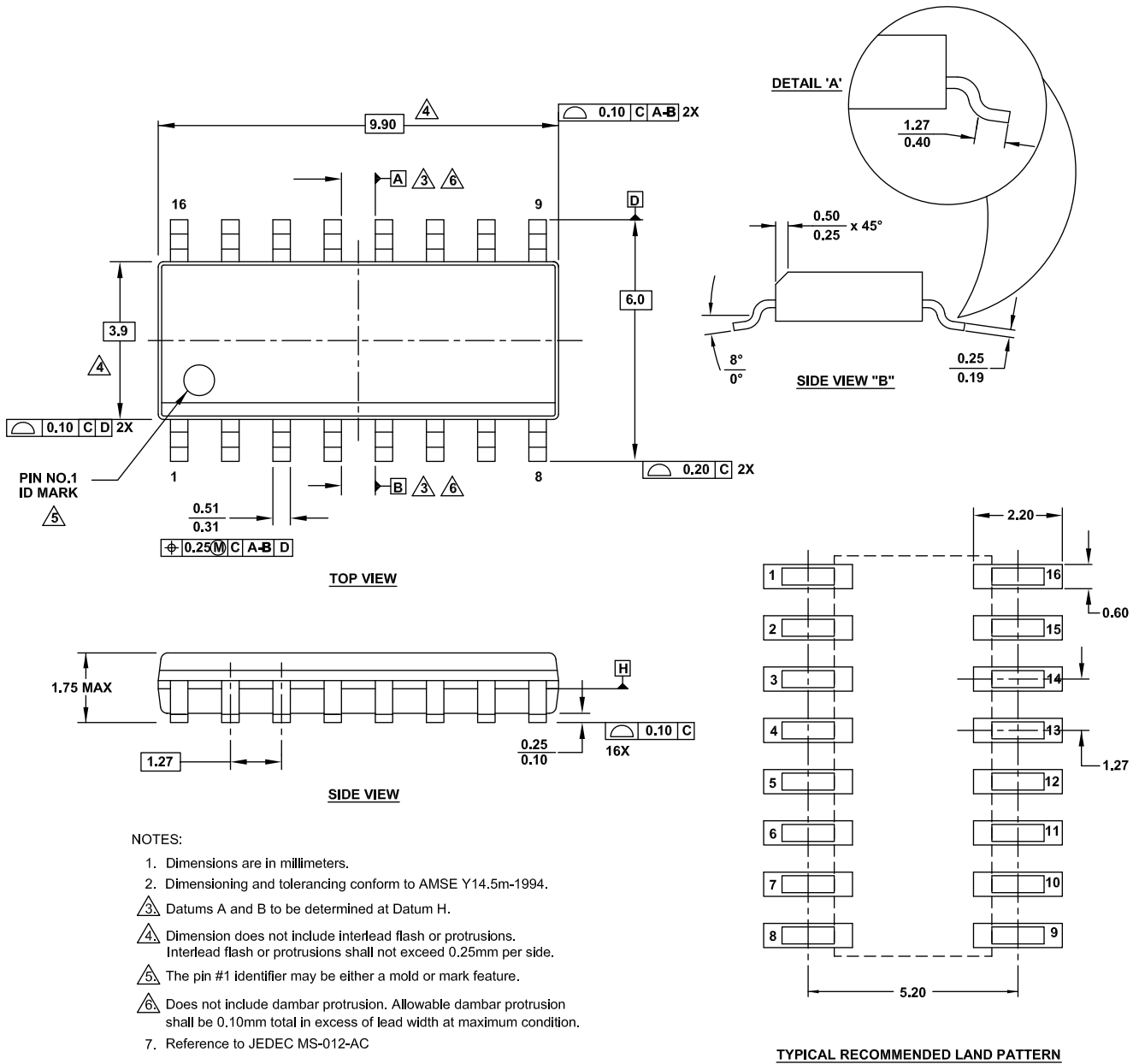
| Rev.      | Date    | Description   |
|-----------|---------|---|
| FN4910.24 | 5/30/19 | <p>Applied new formatting.</p> <p>Updated the Ordering Information table:</p> <p>Removed:</p> <ul style="list-style-type: none"> <li>ICL3222ECP</li> <li>ICL3241ECBZ</li> <li>ICL3241ECBZ-T</li> <li>ICL3241EIBZ</li> <li>ICL3241EIBZ-T</li> </ul> <p>Added:</p> <ul style="list-style-type: none"> <li>ICL3221ECVZ</li> <li>ICL3221ECVZ-T</li> <li>ICL3232ECV-16Z-T7A</li> <li>ICL3232EIV-16Z-T7A</li> </ul> <p>Added Charge-Pump Abs Max Ratings section on pages 14 and 15.</p> <p>Removed package outline drawing E18.3.</p> <p>Updated disclaimer.</p>   |
| FN4910.23 | 9/24/18 | <ul style="list-style-type: none"> <li>-Updated on-chip voltage converter <math>V_{CC}</math> conditions from 2.7V to 3.3V on page 1</li> <li>-Added product information page links to Related Literature section on page 1</li> <li>-Updated Ordering Information table on page 8:</li> <li>-Added Tape and Reel (Units) column</li> <li>-Removed the following retired parts:</li> <li>-ICL3221ECA, ICL3221ECA-T</li> <li>-ICL3221ECAZA, ICL3221ECAZA-T</li> <li>-ICL3221ECV, ICL3221ECV-T</li> <li>-ICL3221EIA, ICL3221EIA-T</li> <li>-ICL3221ECA, ICL3221ECA-T</li> <li>-ICL3222ECV, ICL3222ECV-T</li> <li>-ICL3222EIAZ, ICL3222EIAZ-T</li> <li>-ICL3222EIB, ICL3222EIB-T</li> <li>-ICL3223ECA, ICL3223ECA-T</li> <li>-ICL3223ECV, ICL3223ECV-T</li> <li>-ICL3223EIAZ, ICL3223EIAZ-T</li> <li>-Added retirement notifications and replacement recommendations for the following parts:</li> <li>-ICL3232ECV-20Z</li> <li>-ICL3232ECV-20Z-T</li> <li>-ICL3232EFV-16Z</li> <li>-ICL3232EFV-16Z</li> <li>-Updated <math>R_{IN}</math> from <math>\pm 25V</math> to <math>\pm 28V</math> in the Absolute Maximum Ratings on page 12</li> <li>-Updated Package Outline Drawing M16.15 from Rev. 1 to Rev. 2 on page 25</li> <li>-Updated graphics to new standard layout and removed the dimensions table</li> <li>-Removed About Intersil section</li> <li>-Added Renesas disclaimer</li> </ul> |
| FN4910.22 | 12/9/15 | <ul style="list-style-type: none"> <li>-Updated Ordering Information table starting on page 8</li> <li>-Updated "Products" section to "About Intersil"</li> <li>-POD E18.3 updated from rev 2 to rev 3. Changes since rev 2:</li> <li>1) Removed the dimension chart and replaced with new standard format values for each dimension letter.</li> <li>2) Updated D dimension (in side view; length of package) from 0.845(min) : 0.880(max) to 0.880(33.27)(min) : 0.920(34.65)(max)</li> <li>3) Change JEDEC reference from MS-001-BC issue D to MS-001-AC issue D</li> <li>-POD M16.173 updated from rev 1 to rev 2. Changes since rev 1: Converted to new POD format by moving dimensions from table onto drawing and adding land pattern. No dimension changes.</li> <li>-POD M20.173 updated from rev 1 to rev 2. Changes since rev 1: Converted to new POD format by moving dimensions from table onto drawing and adding land pattern. No dimension changes.</li> <li>-POD M28.173 updated from rev 0 to rev 1. Changes since rev 1: Converted to new POD format by moving dimensions from table onto drawing and adding land pattern. No dimension changes.</li> <li>-POD M28.3 updated from rev 0 to rev 1. Changes since rev 1: Added land pattern</li> </ul>   |

| Rev.      | Date    | Description  |
|-----------|---------|--|
| FN4910.21 | 2/22/10 | Revision history begins with this revision.<br>-Converted to new Intersil template.<br>-Added new temp grade (F = extended industrial) to ICL3232. Updated ordering info table, Operating Conditions, and added 125°C specs for input I <sub>kg</sub> currents, and rcvr output high voltage.<br>-Pages 8-10: Removed all withdrawn devices from Ordering Information table.<br>-Pages 12-14: Added "Boldface limits apply over the operating temperature range." to common conditions of Electrical Specs table. Replaced Note 6 "Parts are 100% tested at +25°C. Full temp limits are guaranteed by bench and tester characterization." with "Parameters with MIN and/or MAX limits are 100% tested at +25°C, unless otherwise specified. Temperature limits established by characterization and are not production tested." |

# 8. Package Outline Drawings

For the most recent package outline drawing, see [M16.15](#).

M16.15 (JEDEC MS-012-AC ISSUE C)  
 16 Lead Narrow Body Small Outline Plastic Package  
 Rev 2, 11/17



M16.173  
 16 Lead Thin Shrink Small Outline Package (TSSOP)  
 Rev 2, 5/10

For the most recent package outline drawing, see [M16.173](#).



**NOTES:**

1. Dimension does not include mold flash, protrusions or gate burrs. Mold flash, protrusions or gate burrs shall not exceed 0.15 per side.
2. Dimension does not include interlead flash or protrusion. Interlead flash or protrusion shall not exceed 0.25 per side.
3. Dimensions are measured at datum plane H.
4. Dimensioning and tolerancing per ASME Y14.5M-1994.
5. Dimension does not include dambar protrusion. Allowable protrusion shall be 0.08mm total in excess of dimension at maximum material condition. Minimum space between protrusion and adjacent lead is 0.07mm.
6. Dimension in ( ) are for reference only.
7. Conforms to JEDEC MO-153.

For the most recent package outline drawing, see [M16.209](#).



**M16.209 (JEDEC MO-150-AC ISSUE B)**  
**16 Lead Shrink Small Outline Plastic Package (SSOP)**

| SYMBOL   | INCHES    |       | MILLIMETERS |      | NOTES |
|----------|-----------|-------|-------------|------|-------|
|          | MIN       | MAX   | MIN         | MAX  |       |
| A        | -         | 0.078 | -           | 2.00 | -     |
| A1       | 0.002     | -     | 0.05        | -    | -     |
| A2       | 0.065     | 0.072 | 1.65        | 1.85 | -     |
| B        | 0.009     | 0.014 | 0.22        | 0.38 | 9     |
| C        | 0.004     | 0.009 | 0.09        | 0.25 | -     |
| D        | 0.233     | 0.255 | 5.90        | 6.50 | 3     |
| E        | 0.197     | 0.220 | 5.00        | 5.60 | 4     |
| e        | 0.026 BSC |       | 0.65 BSC    |      | -     |
| H        | 0.292     | 0.322 | 7.40        | 8.20 | -     |
| L        | 0.022     | 0.037 | 0.55        | 0.95 | 6     |
| N        | 16        |       | 16          |      | 7     |
| $\alpha$ | 0°        | 8°    | 0°          | 8°   | -     |

Rev. 3 6/05

Notes:

1. Symbols are defined in the "MO Series Symbol List" in Section 2.2 of Publication Number 95.
2. Dimensioning and tolerancing per ANSI Y14.5M-1982.
3. Dimension "D" does not include mold flash, protrusions or gate burrs. Mold flash, protrusion and gate burrs shall not exceed 0.20mm (0.0078 inch) per side.
4. Dimension "E" does not include interlead flash or protrusions. Interlead flash and protrusions shall not exceed 0.20mm (0.0078 inch) per side.
5. The chamfer on the body is optional. If it is not present, a visual index feature must be located within the crosshatched area.
6. "L" is the length of terminal for soldering to a substrate.
7. "N" is the number of terminal positions.
8. Terminal numbers are shown for reference only.
9. Dimension "B" does not include dambar protrusion. Allowable dambar protrusion shall be 0.13mm (0.005 inch) total in excess of "B" dimension at maximum material condition.
10. Controlling dimension: MILLIMETER. Converted inch dimensions are not necessarily exact.

For the most recent package outline drawing, see [M16.3](#).

**M16.3 (JEDEC MS-013-AA ISSUE C)**  
**16 Lead Wide Body Small Outline Plastic Package (SOIC)**



| SYMBOL | INCHES    |        | MILLIMETERS |       | NOTES |
|--------|-----------|--------|-------------|-------|-------|
|        | MIN       | MAX    | MIN         | MAX   |       |
| A      | 0.0926    | 0.1043 | 2.35        | 2.65  | -     |
| A1     | 0.0040    | 0.0118 | 0.10        | 0.30  | -     |
| B      | 0.013     | 0.0200 | 0.33        | 0.51  | 9     |
| C      | 0.0091    | 0.0125 | 0.23        | 0.32  | -     |
| D      | 0.3977    | 0.4133 | 10.10       | 10.50 | 3     |
| E      | 0.2914    | 0.2992 | 7.40        | 7.60  | 4     |
| e      | 0.050 BSC |        | 1.27 BSC    |       | -     |
| H      | 0.394     | 0.419  | 10.00       | 10.65 | -     |
| h      | 0.010     | 0.029  | 0.25        | 0.75  | 5     |
| L      | 0.016     | 0.050  | 0.40        | 1.27  | 6     |
| N      | 16        |        | 16          |       | 7     |
| α      | 0°        | 8°     | 0°          | 8°    | -     |

Rev. 1 6/05

Notes:

1. Symbols are defined in the "MO Series Symbol List" in Section 2.2 of Publication Number 95.
2. Dimensioning and tolerancing per ANSI Y14.5M-1982.
3. Dimension "D" does not include mold flash, protrusions or gate burrs. Mold flash, protrusion and gate burrs shall not exceed 0.15mm (0.006 inch) per side.
4. Dimension "E" does not include interlead flash or protrusions. Interlead flash and protrusions shall not exceed 0.25mm (0.010 inch) per side.
5. The chamfer on the body is optional. If it is not present, a visual index feature must be located within the crosshatched area.
6. "L" is the length of terminal for soldering to a substrate.
7. "N" is the number of terminal positions.
8. Terminal numbers are shown for reference only.
9. The lead width "B", as measured 0.36mm (0.014 inch) or greater above the seating plane, shall not exceed a maximum value of 0.61mm (0.024 inch)
10. Controlling dimension: MILLIMETER. Converted inch dimensions are not necessarily exact.



For the most recent package outline drawing, see [M18.3](#).

**M18.3 (JEDEC MS-013-AB ISSUE C)**  
**18 Lead Wide Body Small Outline Plastic Package (SOIC)**



| SYMBOL   | INCHES    |        | MILLIMETERS |       | NOTES |
|----------|-----------|--------|-------------|-------|-------|
|          | MIN       | MAX    | MIN         | MAX   |       |
| A        | 0.0926    | 0.1043 | 2.35        | 2.65  | -     |
| A1       | 0.0040    | 0.0118 | 0.10        | 0.30  | -     |
| B        | 0.013     | 0.0200 | 0.33        | 0.51  | 9     |
| C        | 0.0091    | 0.0125 | 0.23        | 0.32  | -     |
| D        | 0.4469    | 0.4625 | 11.35       | 11.75 | 3     |
| E        | 0.2914    | 0.2992 | 7.40        | 7.60  | 4     |
| e        | 0.050 BSC |        | 1.27 BSC    |       | -     |
| H        | 0.394     | 0.419  | 10.00       | 10.65 | -     |
| h        | 0.010     | 0.029  | 0.25        | 0.75  | 5     |
| L        | 0.016     | 0.050  | 0.40        | 1.27  | 6     |
| N        | 18        |        | 18          |       | 7     |
| $\alpha$ | 0°        | 8°     | 0°          | 8°    | -     |

Rev. 1 6/05

Notes:

1. Symbols are defined in the "MO Series Symbol List" in Section 2.2 of Publication Number 95.
2. Dimensioning and tolerancing per ANSI Y14.5M-1982.
3. Dimension "D" does not include mold flash, protrusions or gate burrs. Mold flash, protrusion and gate burrs shall not exceed 0.15mm (0.006 inch) per side.
4. Dimension "E" does not include interlead flash or protrusions. Interlead flash and protrusions shall not exceed 0.25mm (0.010 inch) per side.
5. The chamfer on the body is optional. If it is not present, a visual index feature must be located within the crosshatched area.
6. "L" is the length of terminal for soldering to a substrate.
7. "N" is the number of terminal positions.
8. Terminal numbers are shown for reference only.
9. The lead width "B", as measured 0.36mm (0.014 inch) or greater above the seating plane, shall not exceed a maximum value of 0.61mm (0.024 inch)
10. Controlling dimension: MILLIMETER. Converted inch dimensions are not necessarily exact.

M20.173  
 20 Lead Thin Shrink Small Outline Package (TSSOP)  
 Rev 2, 5/10

For the most recent package outline drawing, see [M20.173](#).



**NOTES:**

1. Dimension does not include mold flash, protrusions or gate burrs. Mold flash, protrusions or gate burrs shall not exceed 0.15 per side.
2. Dimension does not include interlead flash or protrusion. Interlead flash or protrusion shall not exceed 0.25 per side.
3. Dimensions are measured at datum plane H.
4. Dimensioning and tolerancing per ASME Y14.5M-1994.
5. Dimension does not include dambar protrusion. Allowable protrusion shall be 0.08mm total in excess of dimension at maximum material condition. Minimum space between protrusion and adjacent lead is 0.07mm.
6. Dimension in ( ) are for reference only.
7. Conforms to JEDEC MO-153.

For the most recent package outline drawing, see [M20.209](#).

**M20.209 (JEDEC MO-150-AE ISSUE B)**  
**20 Lead Shrink Small Outline Plastic Package (SSOP)**



| SYMBOL   | INCHES    |        | MILLIMETERS |        | NOTES |
|----------|-----------|--------|-------------|--------|-------|
|          | MIN       | MAX    | MIN         | MAX    |       |
| A        | 0.068     | 0.078  | 1.73        | 1.99   |       |
| A1       | 0.002     | 0.008  | 0.05        | 0.21   |       |
| A2       | 0.066     | 0.070  | 1.68        | 1.78   |       |
| B        | 0.010     | 0.015  | 0.25        | 0.38   | 9     |
| C        | 0.004     | 0.008  | 0.09        | 0.20   |       |
| D        | 0.278     | 0.289  | 7.07        | 7.33   | 3     |
| E        | 0.205     | 0.212  | 5.20        | 5.38   | 4     |
| e        | 0.026 BSC |        | 0.65 BSC    |        |       |
| H        | 0.301     | 0.311  | 7.65        | 7.90   |       |
| L        | 0.025     | 0.037  | 0.63        | 0.95   | 6     |
| N        | 20        |        | 20          |        | 7     |
| $\alpha$ | 0 deg.    | 8 deg. | 0 deg.      | 8 deg. |       |

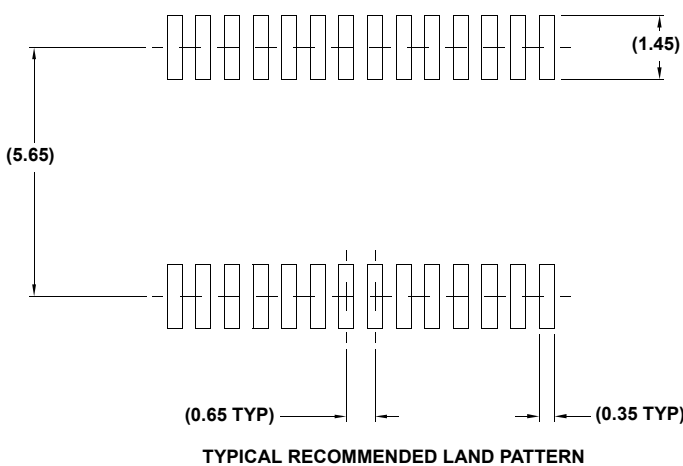
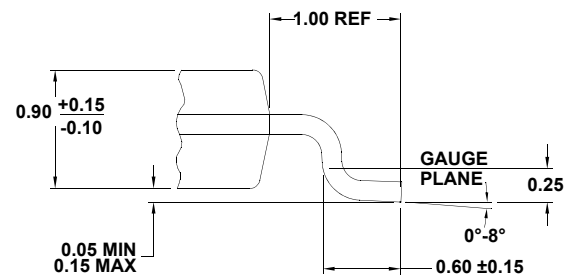
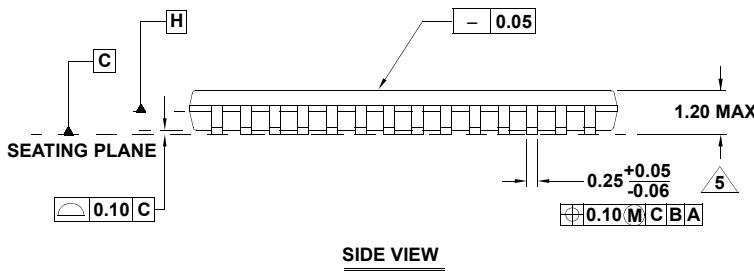
Rev. 3 11/02

Notes:

1. Symbols are defined in the "MO Series Symbol List" in Section 2.2 of Publication Number 95.
2. Dimensioning and tolerancing per ANSI Y14.5M-1982.
3. Dimension "D" does not include mold flash, protrusions or gate burrs. Mold flash, protrusion and gate burrs shall not exceed 0.20mm (0.0078 inch) per side.
4. Dimension "E" does not include interlead flash or protrusions. Interlead flash and protrusions shall not exceed 0.20mm (0.0078 inch) per side.
5. The chamfer on the body is optional. If it is not present, a visual index feature must be located within the crosshatched area.
6. "L" is the length of terminal for soldering to a substrate.
7. "N" is the number of terminal positions.
8. Terminal numbers are shown for reference only.
9. Dimension "B" does not include dambar protrusion. Allowable dambar protrusion shall be 0.13mm (0.005 inch) total in excess of "B" dimension at maximum material condition.
10. Controlling dimension: MILLIMETER. Converted inch dimensions are not necessarily exact.

M28.173  
 28 Lead Thin Shrink Small Outline Package (TSSOP)  
 Rev 1, 5/10

For the most recent package outline drawing, see [M28.173](#).



**NOTES:**

1. Dimension does not include mold flash, protrusions or gate burrs. Mold flash, protrusions or gate burrs shall not exceed 0.15 per side.
2. Dimension does not include interlead flash or protrusion. Interlead flash or protrusion shall not exceed 0.25 per side.
3. Dimensions are measured at datum plane H.
4. Dimensioning and tolerancing per ASME Y14.5M-1994.
5. Dimension does not include dambar protrusion. Allowable protrusion shall be 0.08mm total in excess of dimension at maximum material condition. Minimum space between protrusion and adjacent lead is 0.07mm.
6. Dimension in ( ) are for reference only.
7. Conforms to JEDEC MO-153.

For the most recent package outline drawing, see [M28.209](#).

**M28.209 (JEDEC MO-150-AH ISSUE B)**  
**28 Lead Shrink Small Outline Plastic Package (SSOP)**



| SYMBOL   | INCHES    |       | MILLIMETERS |       | NOTES |
|----------|-----------|-------|-------------|-------|-------|
|          | MIN       | MAX   | MIN         | MAX   |       |
| A        | -         | 0.078 | -           | 2.00  | -     |
| A1       | 0.002     | -     | 0.05        | -     | -     |
| A2       | 0.065     | 0.072 | 1.65        | 1.85  | -     |
| B        | 0.009     | 0.014 | 0.22        | 0.38  | 9     |
| C        | 0.004     | 0.009 | 0.09        | 0.25  | -     |
| D        | 0.390     | 0.413 | 9.90        | 10.50 | 3     |
| E        | 0.197     | 0.220 | 5.00        | 5.60  | 4     |
| e        | 0.026 BSC |       | 0.65 BSC    |       | -     |
| H        | 0.292     | 0.322 | 7.40        | 8.20  | -     |
| L        | 0.022     | 0.037 | 0.55        | 0.95  | 6     |
| N        | 28        |       | 28          |       | 7     |
| $\alpha$ | 0°        | 8°    | 0°          | 8°    | -     |

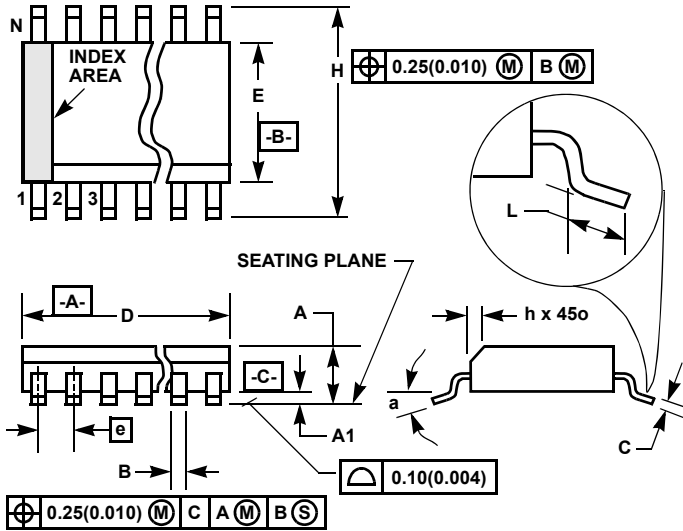
Rev. 2 6/05

Notes:

1. Symbols are defined in the "MO Series Symbol List" in Section 2.2 of Publication Number 95.
2. Dimensioning and tolerancing per ANSI Y14.5M-1982.
3. Dimension "D" does not include mold flash, protrusions or gate burrs. Mold flash, protrusion and gate burrs shall not exceed 0.20mm (0.0078 inch) per side.
4. Dimension "E" does not include interlead flash or protrusions. Interlead flash and protrusions shall not exceed 0.20mm (0.0078 inch) per side.
5. The chamfer on the body is optional. If it is not present, a visual index feature must be located within the crosshatched area.
6. "L" is the length of terminal for soldering to a substrate.
7. "N" is the number of terminal positions.
8. Terminal numbers are shown for reference only.
9. Dimension "B" does not include dambar protrusion. Allowable dambar protrusion shall be 0.13mm (0.005 inch) total in excess of "B" dimension at maximum material condition.
10. Controlling dimension: MILLIMETER. Converted inch dimensions are not necessarily exact.

For the most recent package outline drawing, see [M28.3](#).

**M28.3 (JEDEC MS-013-AE ISSUE C)**  
**28 Lead Wide Body Small Outline Plastic Package (SOIC)**



| SYMBOL   | INCHES   |        | MILLIMETERS |       | NOTES |
|----------|----------|--------|-------------|-------|-------|
|          | MIN      | MAX    | MIN         | MAX   |       |
| A        | 0.0926   | 0.1043 | 2.35        | 2.65  | -     |
| A1       | 0.0040   | 0.0118 | 0.10        | 0.30  | -     |
| B        | 0.013    | 0.0200 | 0.33        | 0.51  | 9     |
| C        | 0.0091   | 0.0125 | 0.23        | 0.32  | -     |
| D        | 0.6969   | 0.7125 | 17.70       | 18.10 | 3     |
| E        | 0.2914   | 0.2992 | 7.40        | 7.60  | 4     |
| e        | 0.05 BSC |        | 1.27 BSC    |       | -     |
| H        | 0.394    | 0.419  | 10.00       | 10.65 | -     |
| h        | 0.01     | 0.029  | 0.25        | 0.75  | 5     |
| L        | 0.016    | 0.050  | 0.40        | 1.27  | 6     |
| N        | 28       |        | 28          |       | 7     |
| $\alpha$ | 0°       | 8°     | 0°          | 8°    | -     |

Rev. 1, 1/13

Notes:

1. Symbols are defined in the "MO Series Symbol List" in Section 2.2 of Publication Number 95.
2. Dimensioning and tolerancing per ANSI Y14.5M-1982.
3. Dimension "D" does not include mold flash, protrusions or gate burrs. Mold flash, protrusion and gate burrs shall not exceed 0.15mm (0.006 inch) per side.
4. Dimension "E" does not include interlead flash or protrusions. Interlead flash and protrusions shall not exceed 0.25mm (0.010 inch) per side.
5. The chamfer on the body is optional. If it is not present, a visual index feature must be located within the crosshatched area.
6. "L" is the length of terminal for soldering to a substrate.
7. "N" is the number of terminal positions.
8. Terminal numbers are shown for reference only.
9. The lead width "B", as measured 0.36mm (0.014 inch) or greater above the seating plane, shall not exceed a maximum value of 0.61mm (0.024 inch)
10. Controlling dimension: MILLIMETER. Converted inch dimensions are not necessarily exact.

TYPICAL RECOMMENDED LAND PATTERN



## Notice

1. Descriptions of circuits, software and other related information in this document are provided only to illustrate the operation of semiconductor products and application examples. You are fully responsible for the incorporation or any other use of the circuits, software, and information in the design of your product or system. Renesas Electronics disclaims any and all liability for any losses and damages incurred by you or third parties arising from the use of these circuits, software, or information.
2. Renesas Electronics hereby expressly disclaims any warranties against and liability for infringement or any other claims involving patents, copyrights, or other intellectual property rights of third parties, by or arising from the use of Renesas Electronics products or technical information described in this document, including but not limited to, the product data, drawings, charts, programs, algorithms, and application examples.
3. No license, express, implied or otherwise, is granted hereby under any patents, copyrights or other intellectual property rights of Renesas Electronics or others.
4. You shall not alter, modify, copy, or reverse engineer any Renesas Electronics product, whether in whole or in part. Renesas Electronics disclaims any and all liability for any losses or damages incurred by you or third parties arising from such alteration, modification, copying or reverse engineering.
5. Renesas Electronics products are classified according to the following two quality grades: "Standard" and "High Quality". The intended applications for each Renesas Electronics product depends on the product's quality grade, as indicated below.
  - "Standard": Computers; office equipment; communications equipment; test and measurement equipment; audio and visual equipment; home electronic appliances; machine tools; personal electronic equipment; industrial robots; etc.
  - "High Quality": Transportation equipment (automobiles, trains, ships, etc.); traffic control (traffic lights); large-scale communication equipment; key financial terminal systems; safety control equipment; etc.Unless expressly designated as a high reliability product or a product for harsh environments in a Renesas Electronics data sheet or other Renesas Electronics document, Renesas Electronics products are not intended or authorized for use in products or systems that may pose a direct threat to human life or bodily injury (artificial life support devices or systems; surgical implantations; etc.), or may cause serious property damage (space system; undersea repeaters; nuclear power control systems; aircraft control systems; key plant systems; military equipment; etc.). Renesas Electronics disclaims any and all liability for any damages or losses incurred by you or any third parties arising from the use of any Renesas Electronics product that is inconsistent with any Renesas Electronics data sheet, user's manual or other Renesas Electronics document.
6. When using Renesas Electronics products, refer to the latest product information (data sheets, user's manuals, application notes, "General Notes for Handling and Using Semiconductor Devices" in the reliability handbook, etc.), and ensure that usage conditions are within the ranges specified by Renesas Electronics with respect to maximum ratings, operating power supply voltage range, heat dissipation characteristics, installation, etc. Renesas Electronics disclaims any and all liability for any malfunctions, failure or accident arising out of the use of Renesas Electronics products outside of such specified ranges.
7. Although Renesas Electronics endeavors to improve the quality and reliability of Renesas Electronics products, semiconductor products have specific characteristics, such as the occurrence of failure at a certain rate and malfunctions under certain use conditions. Unless designated as a high reliability product or a product for harsh environments in a Renesas Electronics data sheet or other Renesas Electronics document, Renesas Electronics products are not subject to radiation resistance design. You are responsible for implementing safety measures to guard against the possibility of bodily injury, injury or damage caused by fire, and/or danger to the public in the event of a failure or malfunction of Renesas Electronics products, such as safety design for hardware and software, including but not limited to redundancy, fire control and malfunction prevention, appropriate treatment for aging degradation or any other appropriate measures. Because the evaluation of microcomputer software alone is very difficult and impractical, you are responsible for evaluating the safety of the final products or systems manufactured by you.
8. Please contact a Renesas Electronics sales office for details as to environmental matters such as the environmental compatibility of each Renesas Electronics product. You are responsible for carefully and sufficiently investigating applicable laws and regulations that regulate the inclusion or use of controlled substances, including without limitation, the EU RoHS Directive, and using Renesas Electronics products in compliance with all these applicable laws and regulations. Renesas Electronics disclaims any and all liability for damages or losses occurring as a result of your noncompliance with applicable laws and regulations.
9. Renesas Electronics products and technologies shall not be used for or incorporated into any products or systems whose manufacture, use, or sale is prohibited under any applicable domestic or foreign laws or regulations. You shall comply with any applicable export control laws and regulations promulgated and administered by the governments of any countries asserting jurisdiction over the parties or transactions.
10. It is the responsibility of the buyer or distributor of Renesas Electronics products, or any other party who distributes, disposes of, or otherwise sells or transfers the product to a third party, to notify such third party in advance of the contents and conditions set forth in this document.
11. This document shall not be reprinted, reproduced or duplicated in any form, in whole or in part, without prior written consent of Renesas Electronics.
12. Please contact a Renesas Electronics sales office if you have any questions regarding the information contained in this document or Renesas Electronics products.

(Note1) "Renesas Electronics" as used in this document means Renesas Electronics Corporation and also includes its directly or indirectly controlled subsidiaries.

(Note2) "Renesas Electronics product(s)" means any product developed or manufactured by or for Renesas Electronics.

(Rev.4.0-1 November 2017)

## Corporate Headquarters

TOYOSU FORESIA, 3-2-24 Toyosu,  
Koto-ku, Tokyo 135-0061, Japan  
[www.renesas.com](http://www.renesas.com)

## Contact Information

For further information on a product, technology, the most up-to-date version of a document, or your nearest sales office, please visit:  
[www.renesas.com/contact/](http://www.renesas.com/contact/)

## Trademarks

Renesas and the Renesas logo are trademarks of Renesas Electronics Corporation. All trademarks and registered trademarks are the property of their respective owners.

## Данный компонент на территории Российской Федерации

### Вы можете приобрести в компании MosChip.

Для оперативного оформления запроса Вам необходимо перейти по данной ссылке:

<http://moschip.ru/get-element>

Вы можете разместить у нас заказ для любого Вашего проекта, будь то серийное производство или разработка единичного прибора.

В нашем ассортименте представлены ведущие мировые производители активных и пассивных электронных компонентов.

Нашей специализацией является поставка электронной компонентной базы двойного назначения, продукции таких производителей как XILINX, Intel (ex.ALTERA), Vicor, Microchip, Texas Instruments, Analog Devices, Mini-Circuits, Amphenol, Glenair.

Сотрудничество с глобальными дистрибьюторами электронных компонентов, предоставляет возможность заказывать и получать с международных складов практически любой перечень компонентов в оптимальные для Вас сроки.

На всех этапах разработки и производства наши партнеры могут получить квалифицированную поддержку опытных инженеров.

Система менеджмента качества компании отвечает требованиям в соответствии с ГОСТ Р ИСО 9001, ГОСТ РВ 0015-002 и ЭС РД 009

### Офис по работе с юридическими лицами:

105318, г.Москва, ул.Щербаковская д.3, офис 1107, 1118, ДЦ «Щербаковский»

Телефон: +7 495 668-12-70 (многоканальный)

Факс: +7 495 668-12-70 (доб.304)

E-mail: [info@moschip.ru](mailto:info@moschip.ru)

Skype отдела продаж:

moschip.ru

moschip.ru\_4

moschip.ru\_6

moschip.ru\_9