

# IS31AP2145E

## 2.7W@5.0V MONO CLIP-LESS & FILTER-LESS CLASS-D AUDIO POWER AMPLIFIER

January 2014

### DESCRIPTION

The IS31AP2145E is a 2.7W@5.0V mono, clip-less, filter-less, high efficiency Class-D audio power amplifier with automatic gain control.

The IS31AP2145E integrates AGC (Automatic Gain Control) function to automatically prevent distortion of the audio signal by which we can enhance audio quality and also protect the speaker from damage at high power levels. The AGC function and its attack time/release time are selectable via the CTRL pin. The IS31AP2145E also provides thermal and over current protection functions.

In addition to these features, 90% high efficiency, improved RF-rectification immunity, a fast start-up time and small package size make IS31AP2145E ideal choice for cellular handsets, PDAs and other portable applications.

IS31AP2145E is available in a 1.5mm×1.5mm UTQFN-9 package.

### FEATURES

- Filter-less Class-D architecture
- AGC enable/disable function
- 2.7W into 4Ω at 5.0V (10% THD+N)
- Power supply range: 2.7V to 5.5V
- Selectable attack and release times
- Minimum external components
- High efficiency: 90%
- Click-and-pop suppression
- Short-circuit and thermal protection
- Space-saving UTQFN-9, 1.5mm × 1.5mm

### APPLICATIONS

- Wireless or cellular handsets and PDAs
- Portable navigation devices
- Portable DVD player
- Notebook PC
- Educational toys
- USB speakers

### TYPICAL APPLICATION CIRCUIT

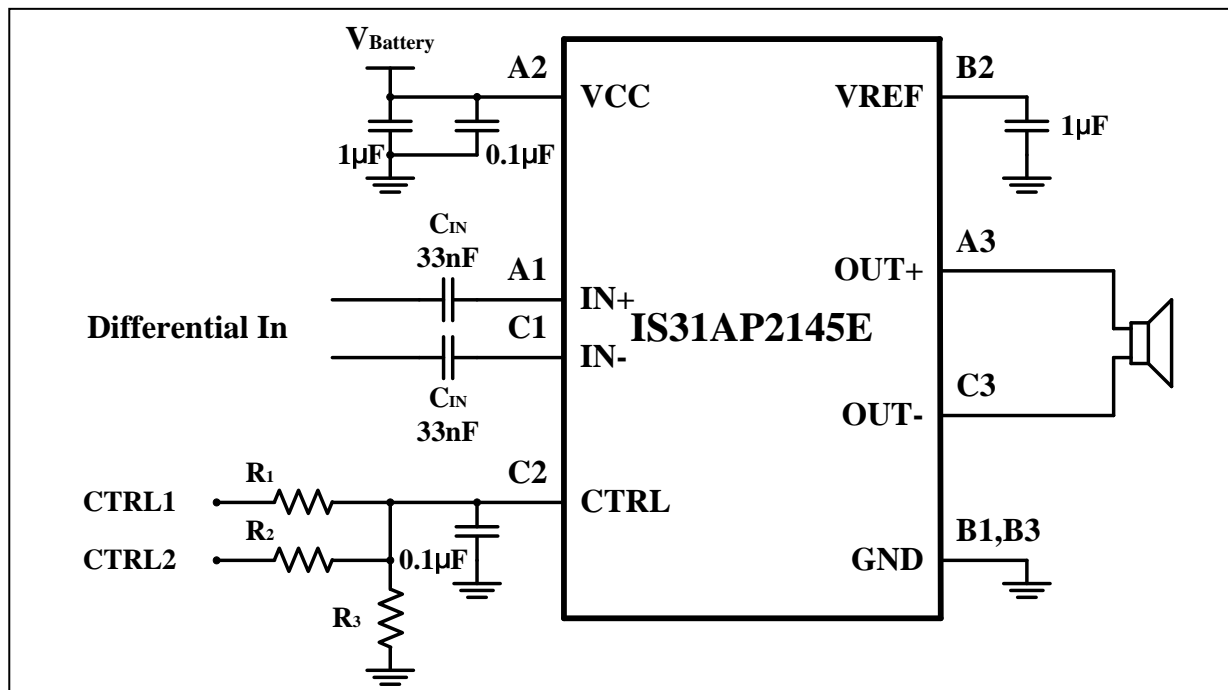


Figure 1 Typical Application Circuit (Differential Input)

# IS31AP2145E

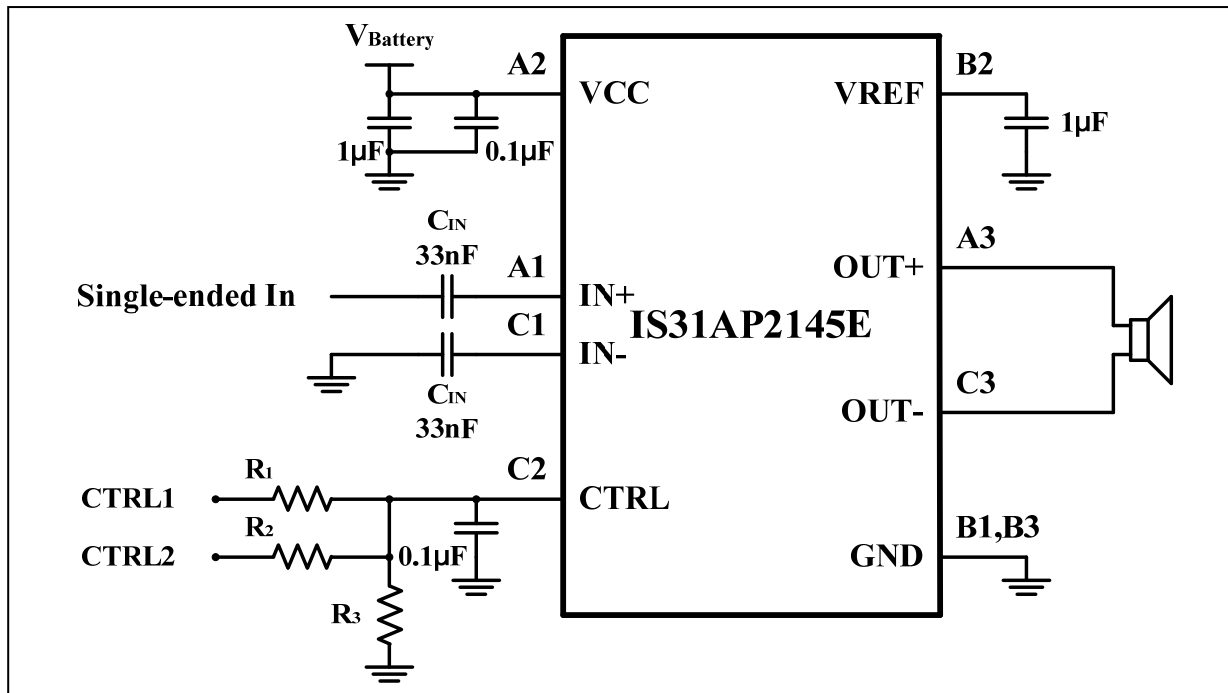
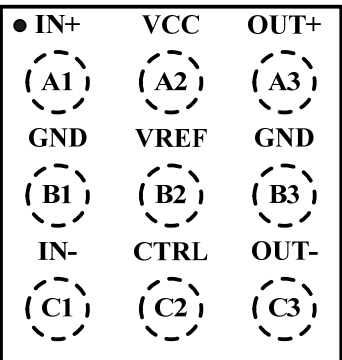


Figure 2 Typical Application Circuit (Single-Ended Input)

# IS31AP2145E

## PIN CONFIGURATION

Package	Pin Configuration (Top View)
UTQFN-9	

## PIN DESCRIPTION

No.	Pin	Description
A1	IN+	Positive input terminal.
A2	VCC	Power supply.
A3	OUT+	Positive output terminal.
B1, B3	GND	Ground.
B2	VREF	Analog reference power supply terminal.
C1	IN-	Negative input terminal.
C2	CTRL	Power down and AGC control terminal.
C3	OUT-	Negative output terminal.



# IS31AP2145E

---

## ORDERING INFORMATION

Industrial Range: -40°C to +85°C

---

Order Part No.	Package	QTY/Reel
IS31AP2145E-UTLS2-TR	UTQFN-9, Lead-free	3000

---

Copyright © 2014 Integrated Silicon Solution, Inc. All rights reserved. ISSI reserves the right to make changes to this specification and its products at any time without notice. ISSI assumes no liability arising out of the application or use of any information, products or services described herein. Customers are advised to obtain the latest version of this device specification before relying on any published information and before placing orders for products. Integrated Silicon Solution, Inc. does not recommend the use of any of its products in life support applications where the failure or malfunction of the product can reasonably be expected to cause failure of the life support system or to significantly affect its safety or effectiveness. Products are not authorized for use in such applications unless Integrated Silicon Solution, Inc. receives written assurance to its satisfaction, that:

- a.) the risk of injury or damage has been minimized;
- b.) the user assume all such risks; and
- c.) potential liability of Integrated Silicon Solution, Inc is adequately protected under the circumstances

# IS31AP2145E

## ABSOLUTE MAXIMUM RATINGS

Supply voltage, $V_{CC}$	-0.3V ~ +6.0V
Voltage at any input pin	-0.3V ~ $V_{CC}+0.3V$
Maximum junction temperature, $T_{JMAX}$	150°C
Storage temperature range, $T_{STG}$	-65°C ~ +150°C
Operating temperature range, $T_A$	-40°C ~ +85°C
ESD (HBM)	7kV
ESD (CDM)	1kV

### Note:

Stresses beyond those listed under "Absolute Maximum Ratings" may cause permanent damage to the device. These are stress ratings only and functional operation of the device at these or any other condition beyond those indicated in the operational sections of the specifications is not implied. Exposure to absolute maximum rating conditions for extended periods may affect device reliability.

## ELECTRICAL CHARACTERISTICS

$T_A = -40^{\circ}\text{C} \sim +85^{\circ}\text{C}$ ,  $V_{CC} = 2.7\text{V} \sim 5.5\text{V}$ , unless otherwise noted. Typical value are  $V_{CC} = 3.6\text{V}$ ,  $T_A = +25^{\circ}\text{C}$ .

Symbol	Parameter	Condition	Min.	Typ.	Max.	Unit
$V_{CC}$	Supply voltage		2.7		5.5	V
$I_{CC}$	Quiescent current			2		mA
$I_{SD}$	Shutdown current	$V_{CTRL} = 0V$		0.1		$\mu\text{A}$
$f_{SW}$	Switching frequency	$V_{CC} = 2.7V \sim 5.5V$		300		kHz
Gain	Audio input gain			18		dB

## AGC Characteristics

$V_{AGC1}$	AGC1 mode setting threshold voltage		1.4		$V_{CC}$	V
$V_{AGC2}$	AGC2 mode setting threshold voltage		0.8		1.05	V
$V_{OFF}$	AGC OFF mode setting threshold voltage		0.36		0.6	V
$V_{SD}$	Shutdown mode setting threshold voltage		0		0.14	V
$t_{AT1}$	Attack time 1			45		ms
$t_{RT1}$	Release time 1			3.0		s
$t_{AT2}$	Attack time 2			10		ms
$t_{RT2}$	Release time			1.5		s
$A_{MAX}$	Maximum attenuation gain			-10		dB

# IS31AP2145E

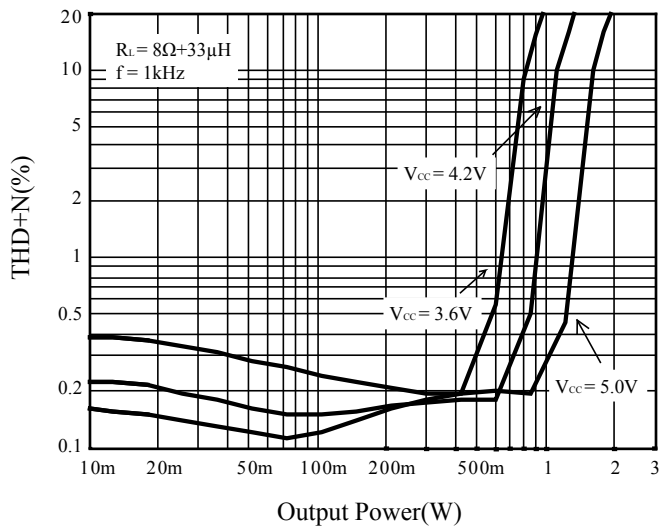
## ELECTRICAL CHARACTERISTICS

AGC OFF,  $T_A = +25^\circ\text{C}$ ,  $V_{CC} = 3.6\text{V}$ , unless otherwise noted.

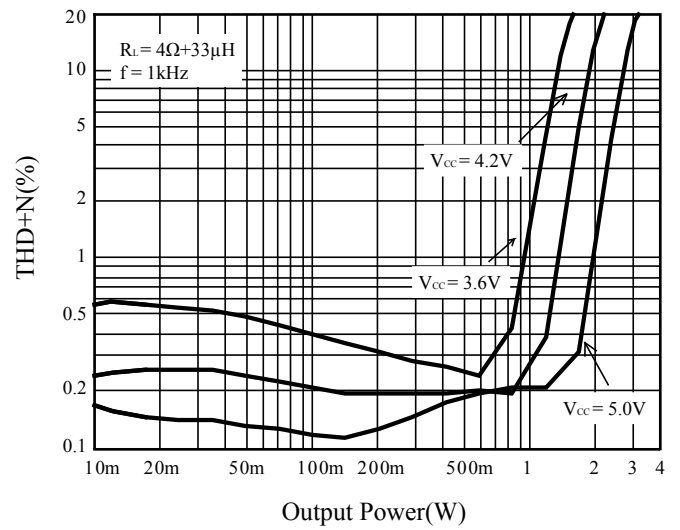
Symbol	Parameter	Condition	Min.	Typ.	Max.	Unit
$P_O$	Output power	THD+N = 10%, $f = 1\text{kHz}$ $R_L = 4\Omega + 33\mu\text{H}$ $V_{CC} = 5.0\text{V}$		2.65		W
		THD+N = 1%, $f = 1\text{kHz}$ $R_L = 4\Omega + 33\mu\text{H}$ $V_{CC} = 5.0\text{V}$		2.0		W
		THD+N = 10%, $f = 1\text{kHz}$ $R_L = 8\Omega + 33\mu\text{H}$ $V_{CC} = 5.0\text{V}$		1.7		W
		THD+N = 1%, $f = 1\text{kHz}$ $R_L = 8\Omega + 33\mu\text{H}$ $V_{CC} = 5.0\text{V}$		1.45		W
THD+N	Total harmonic distortion plus noise	$V_{CC} = 3.6\text{V}$ , $P_O = 0.45\text{W}$ , $R_L = 8\Omega + 33\mu\text{H}$ $f = 1\text{kHz}$		0.2		%
		$V_{CC} = 3.6\text{V}$ , $P_O = 0.95\text{W}$ , $R_L = 4\Omega + 33\mu\text{H}$ $f = 1\text{kHz}$		0.6		
PSRR	Power supply rejection ratio	$V_{P-P} = 200\text{mV}$ , $R_L = 8\Omega + 33\mu\text{H}$ , $f = 217\text{Hz}$		-67		dB
		$V_{P-P} = 200\text{mV}$ , $R_L = 8\Omega + 33\mu\text{H}$ , $f = 1\text{kHz}$		-66		dB
$\eta$	Maximum efficiency	$P_O = 1.0\text{W}$ , $R_L = 8\Omega + 33\mu\text{H}$ , $f = 1\text{kHz}$		90		%
$t_{ST}$	Start-up time			34		ms
$t_{WK}$	Wake-up time		40			ms
$t_{SD}$	Shutdown time		80			ms
$t_{MOD}$	Mode switching time		0.1			ms

# IS31AP2145E

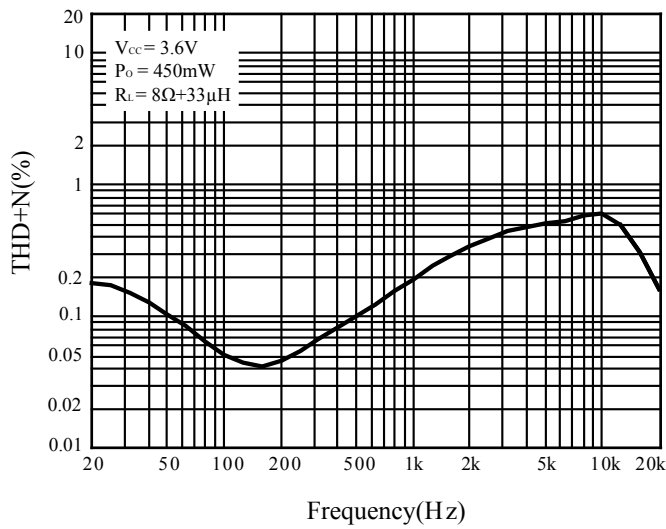
## TYPICAL PERFORMANCE CHARACTERISTICS



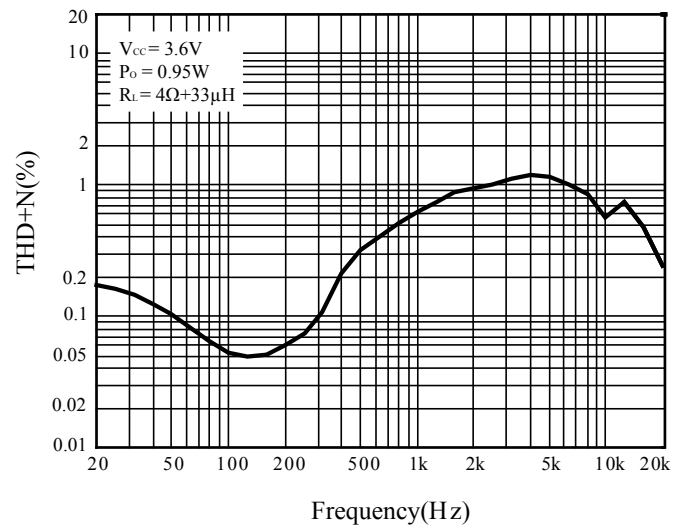
**Figure 3** THD+N vs. Output Power



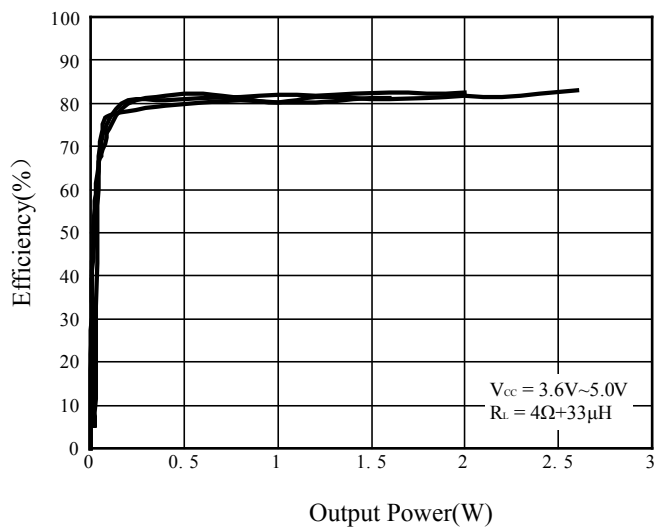
**Figure 4** THD+N vs. Output Power



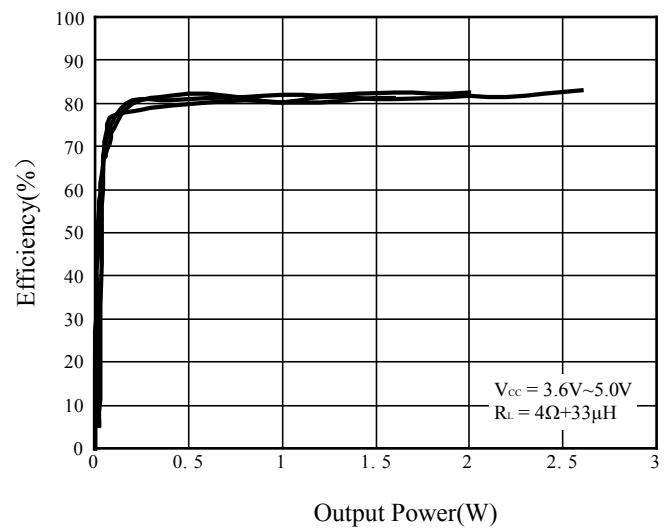
**Figure 5** THD+N vs. Frequency



**Figure 6** THD+N vs. Frequency

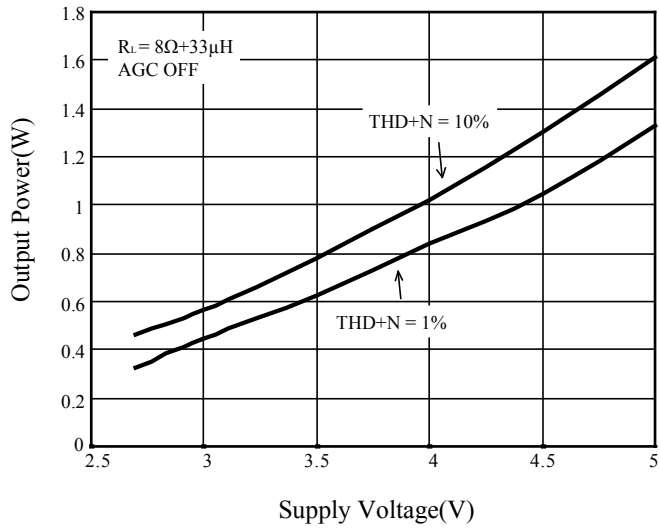


**Figure 7** Efficiency vs. Output Power

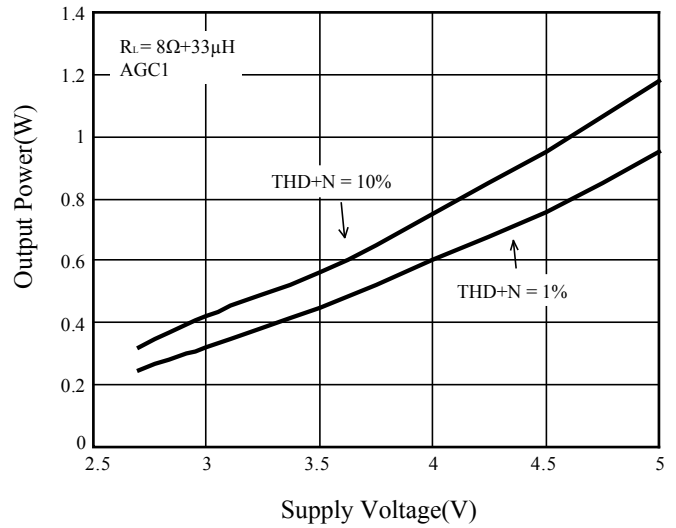


**Figure 8** Efficiency vs. Output Power

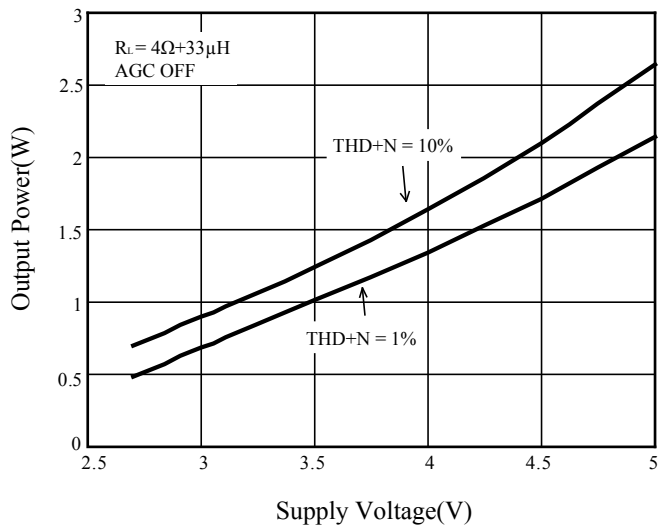
# IS31AP2145E



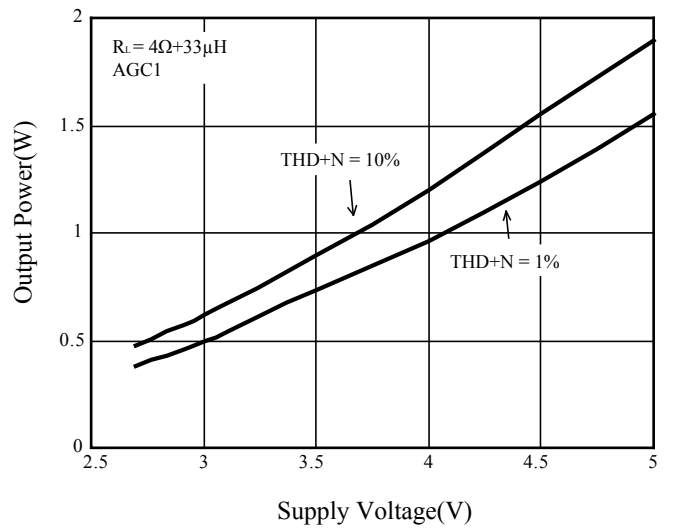
**Figure 9** Output Power vs. Supply Voltage



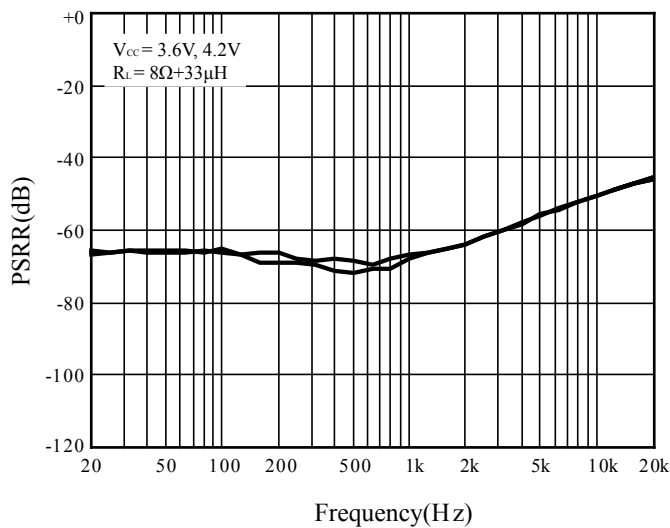
**Figure 10** Output Power vs. Supply Voltage



**Figure 11** Output Power vs. Supply Voltage



**Figure 12** Output Power vs. Supply Voltage



**Figure 13** PSRR vs. Frequency



# IS31AP2145E

## APPLICATION INFORMATION

### DIGITAL AMPLIFIER

The IS31AP2145E is a 2.7W@5.0V mono, clip-less, filter-less, high efficiency Class-D audio power amplifier with automatic gain control.

The IS31AP2145E integrates AGC (Automatic Gain Control) function to automatically prevent distortion of the audio signal by which we can enhance audio quality and also protect speaker from damage at high power levels. In addition, IS31AP2145E has been designed so that high-efficiency can be maintained within an average power range that is used for mobile terminal.

### AGC (AUTOMATIC GAIN CONTROL) CONTROL FUNCTION

This is the function to control the output in order to obtain a maximum output level without distortion when an excessive input is applied which would otherwise cause clipping at the differential signal output. That is, with the AGC function, IS31AP2145E lowers the gain of the digital amplifier to an appropriate value so as not to cause clipping at the differential signal output (Figure 14).

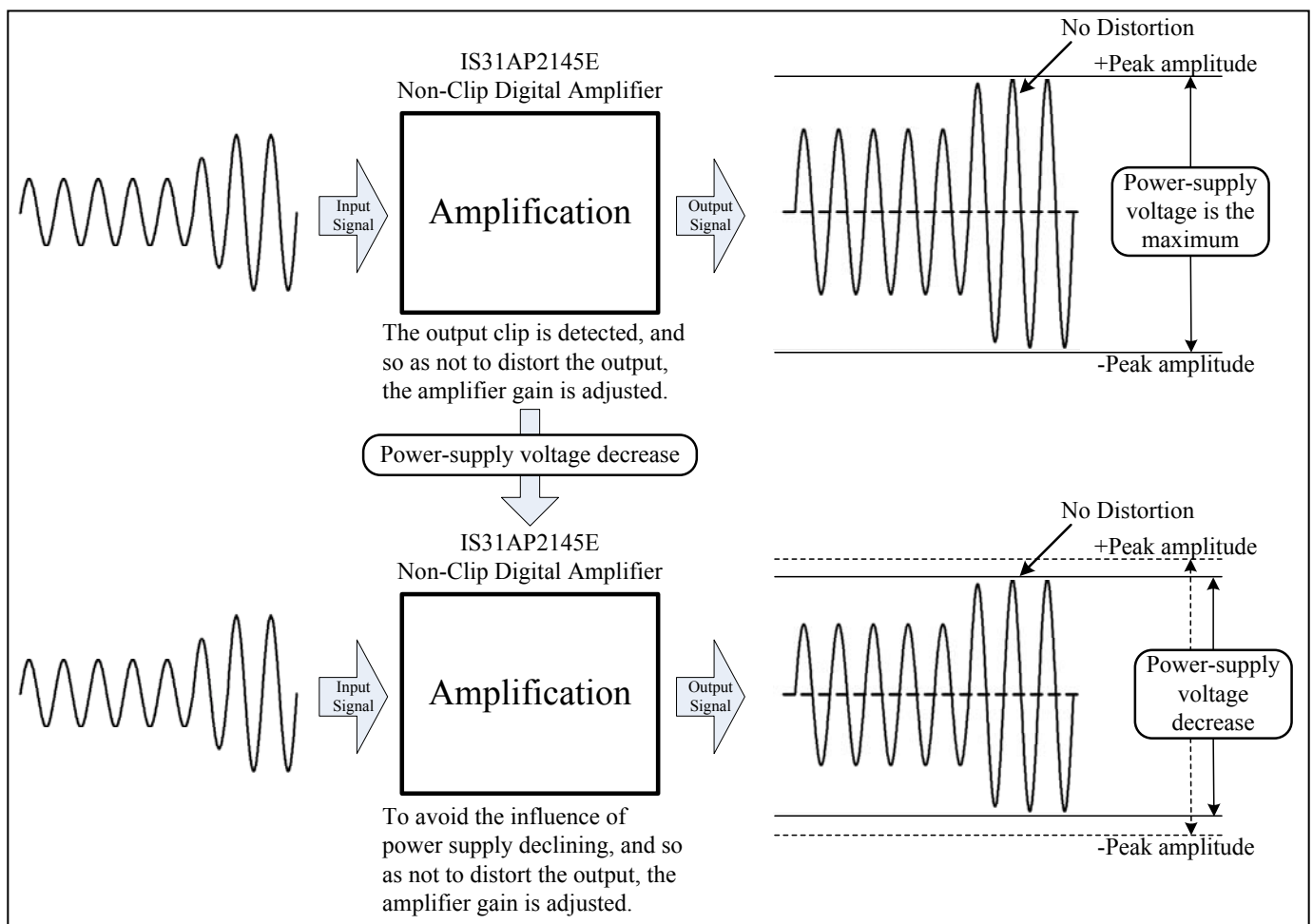


Figure 14 Operation of AGC Function

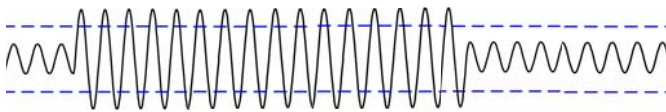
# IS31AP2145E

The attack time and the release time of AGC control have two levels (refer to Table 1). They are selected by the voltage at the CTRL terminal (refer to Table 2). The attack time is a time interval that gain falls from 18dB to 10dB with a big signal input enough. And the release time is a time from target attenuation to no AGC attenuation.

**Table 1 Attack Time and Release Time**

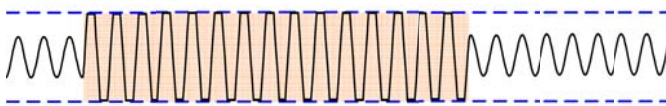
AGC Mode	Attack Time	Release Time
AGC1 (Recommended)	45ms	3.0s
AGC2	10ms	1.5s

Assuming no limitation by the power supply, the audio output signal would be as in Figure 15.



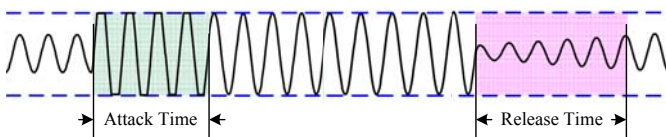
**Figure 15** Assuming no Restriction from Power Supply, the Audio Output Signal

In normal operation without the AGC, the output is distorted because of the restriction from power supply, as shown in Figure 16.



**Figure 16** AGC Function Off

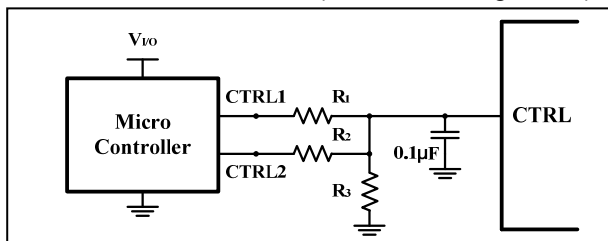
With the AGC function of IS31AP2145E, the optimum output power can be obtained along with the minimal distortion. The Figure 17 shows the outcome of AGC function.



**Figure 17** AGC Function On

## CTRL TERMINAL FUNCTION

By setting the threshold voltage of each mode to CTRL terminal, the followings can be set: AGC1, AGC2, AGC OFF, and Shutdown Mode (Table 2 and Figure 18).



**Figure 18** AGC Function Mode Setting

**Table 2 Mode Setting**

CTRL1	CTRL2	Mode
H	H	AGC1
H	GND	AGC2
GND	H	AGC OFF
GND	GND	Shutdown

“H” level indicates a microcomputer’s I/O port H level output voltage that is input to CTRL1 and CTRL2 terminals and GND indicates GND of the microcomputer.

GND level of the microcomputer must be the same as that of IS31AP2145E.

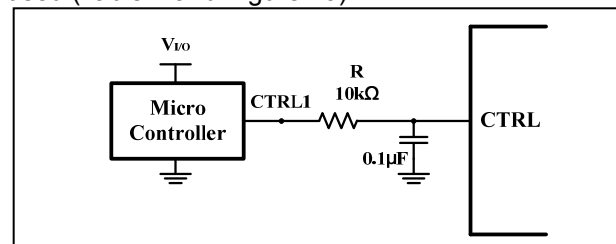
The control of CTRL terminal is based on I/O port H level output voltage of microcomputer that is connected.

Set resistance constants according to I/O port H level output voltage of each microcomputer as Table 3 below.

**Table 3 Resistors Setting**

$V_{I/O}$	1.8V	2.6V	2.8V	3.0V	3.3V	5.0V
R1	27k $\Omega$	33k $\Omega$	33k $\Omega$	33k $\Omega$	33k $\Omega$	56k $\Omega$
R2	56k $\Omega$	68k $\Omega$	68k $\Omega$	68k $\Omega$	68k $\Omega$	120k $\Omega$
R3	82k $\Omega$	27k $\Omega$	24k $\Omega$	22k $\Omega$	18k $\Omega$	15k $\Omega$

Functions of CTRL pin are designed with their control by two control pins (CTRL1 and CTRL3). Only a switching control between AGC1 Mode and Shutdown Mode is available when a single control terminal is used (Table 4 and Figure 19).



**Figure 19** AGC1 Mode Circuit

**Table 4 Mode Setting**

CTRL1	Mode
H	AGC1
GND	Shutdown

## SYSTEM TIMING

The CTRL terminal should be configured as the Figure 20. When in the Shutdown Mode, the level of the terminal must not be changed from GND level during  $t_{SD}$ . When the IS31AP2145E wakes up, the CTRL terminal must be set to H level first, then enter the setting mode.

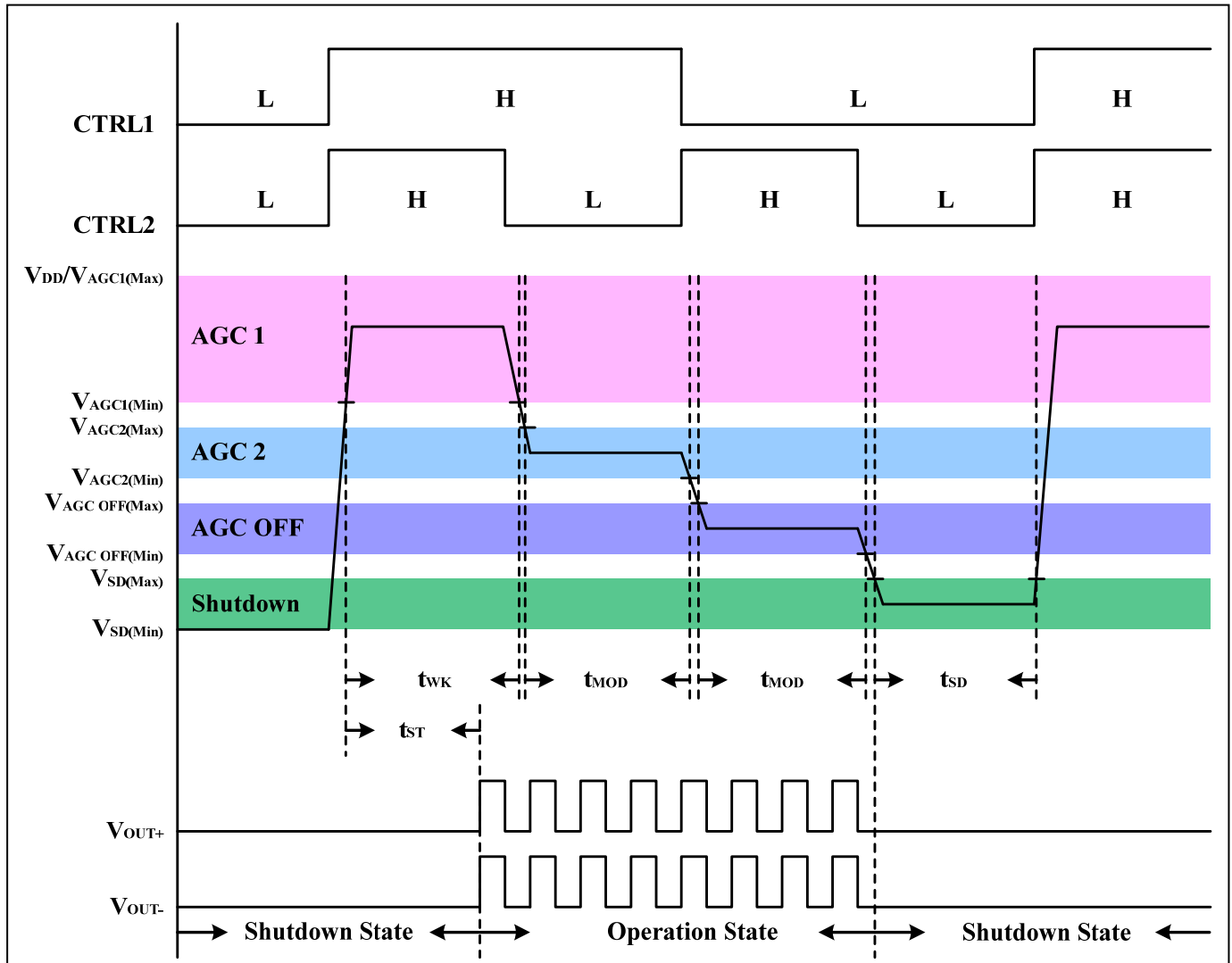


Figure 20 System Timing

## INPUT CAPACITORS ( $C_{IN}$ )

The input capacitors ( $C_{IN}$ ) and internal resistor ( $R_{IN} = 28.5k\Omega$ ) form a high-pass filter with the corner frequency,  $f_c$ , determined in Equation (1).

$$f_c = \frac{1}{2\pi R_{IN} C_{IN}} \quad (1)$$

For example, in figure 1,

$C_{IN} = 33nF$ ,  $R_{IN} = 28.5k\Omega$ ,

$$\text{So, } f_c = \frac{1}{2\pi \times 28.5k\Omega \times 33nF} \approx 169 \text{ Hz}$$

The capacitors should have a tolerance of  $\pm 10\%$  or better, because any mismatch in capacitance causes an impedance mismatch at the corner frequency and below.

## DECOUPLING CAPACITOR ( $C_S$ )

The IS31AP2145E is a high performance class-D audio amplifier that requires adequate power supply decoupling to ensure the efficiency is high and total harmonic distortion (THD) is low. For higher frequency transients, spikes, or digital hash on the line, a good low equivalent-series-resistance (ESR) ceramic capacitor, typically  $0.1\mu F$ , placed as close as possible to the device VCC lead works best. Placing this decoupling capacitor close to the IS31AP2145E is very important for the efficiency of the Class-D amplifier, because any resistance or inductance in the trace between the device and the capacitor can cause a loss in efficiency. For filtering lower frequency noise signals, a  $1\mu F$  or greater capacitor placed near the audio power amplifier would also help.

# IS31AP2145E

## CLASSIFICATION REFLOW PROFILES

Profile Feature	Pb-Free Assembly
<b>Preheat &amp; Soak</b> Temperature min (T <sub>smin</sub> ) Temperature max (T <sub>smax</sub> ) Time (T <sub>smin</sub> to T <sub>smax</sub> ) (t <sub>s</sub> )	150°C 200°C 60-120 seconds
Average ramp-up rate (T <sub>smax</sub> to T <sub>p</sub> )	3°C/second max.
Liquidous temperature (T <sub>L</sub> ) Time at liquidous (t <sub>L</sub> )	217°C 60-150 seconds
Peak package body temperature (T <sub>p</sub> )*	Max 260°C
Time (t <sub>p</sub> )** within 5°C of the specified classification temperature (T <sub>c</sub> )	Max 30 seconds
Average ramp-down rate (T <sub>p</sub> to T <sub>smax</sub> )	6°C/second max.
Time 25°C to peak temperature	8 minutes max.

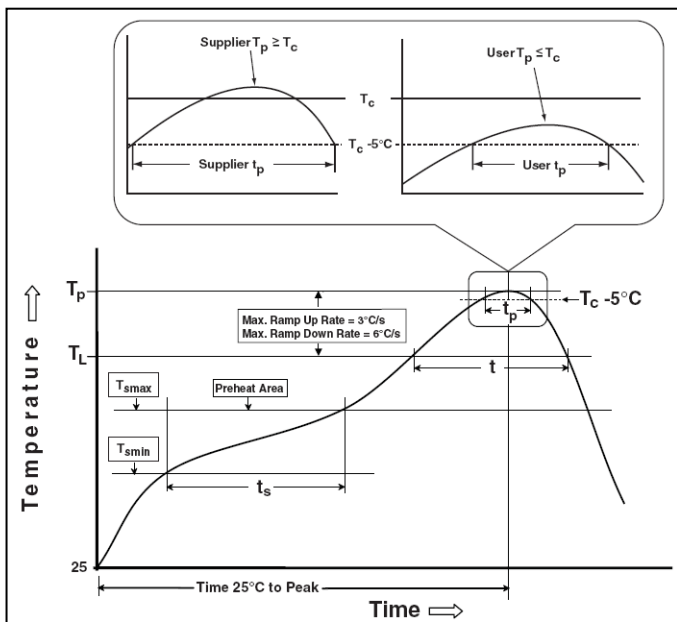
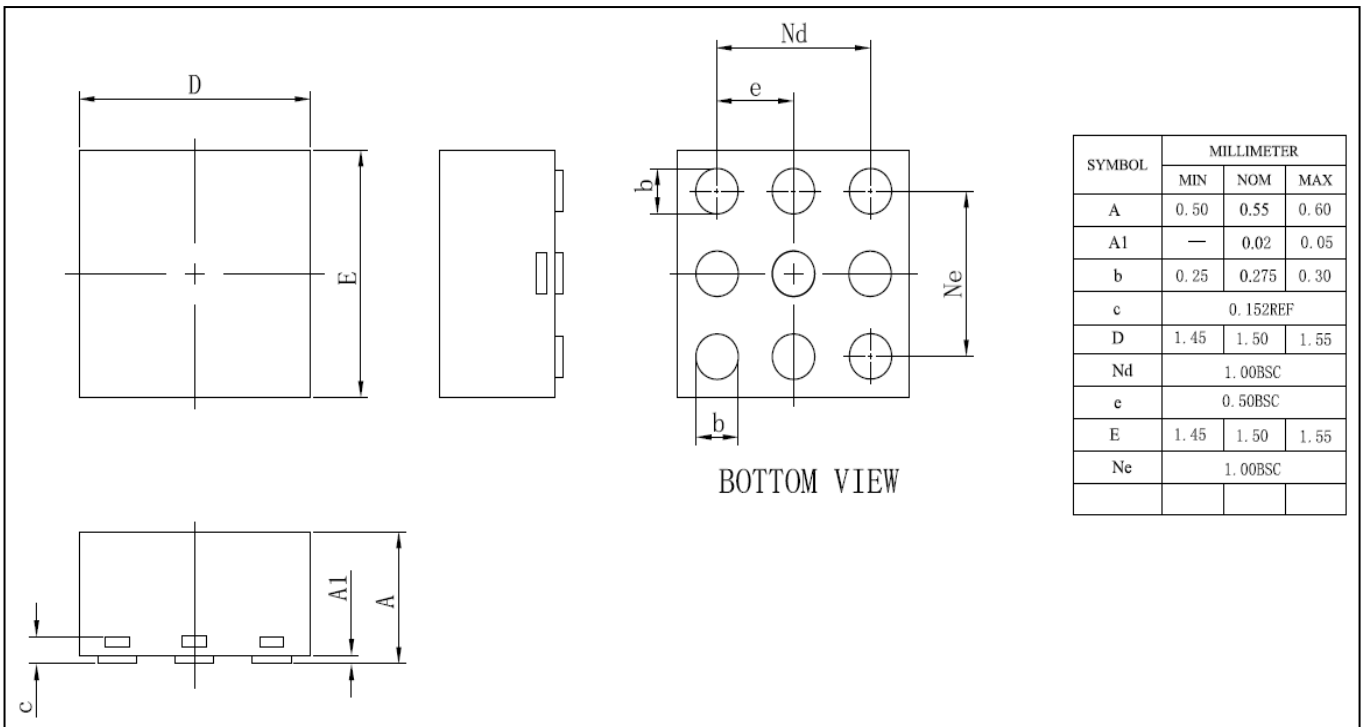


Figure 21 Classification Profile

# IS31AP2145E

## PACKAGING INFORMATION

### UTQFN-9



**Note:** All dimensions in millimeters unless otherwise stated.

## Данный компонент на территории Российской Федерации

### Вы можете приобрести в компании MosChip.

Для оперативного оформления запроса Вам необходимо перейти по данной ссылке:

<http://moschip.ru/get-element>

Вы можете разместить у нас заказ для любого Вашего проекта, будь то серийное производство или разработка единичного прибора.

В нашем ассортименте представлены ведущие мировые производители активных и пассивных электронных компонентов.

Нашей специализацией является поставка электронной компонентной базы двойного назначения, продукции таких производителей как XILINX, Intel (ex.ALTERA), Vicor, Microchip, Texas Instruments, Analog Devices, Mini-Circuits, Amphenol, Glenair.

Сотрудничество с глобальными дистрибьюторами электронных компонентов, предоставляет возможность заказывать и получать с международных складов практически любой перечень компонентов в оптимальные для Вас сроки.

На всех этапах разработки и производства наши партнеры могут получить квалифицированную поддержку опытных инженеров.

Система менеджмента качества компании отвечает требованиям в соответствии с ГОСТ Р ИСО 9001, ГОСТ РВ 0015-002 и ЭС РД 009

### Офис по работе с юридическими лицами:

105318, г.Москва, ул.Щербаковская д.3, офис 1107, 1118, ДЦ «Щербаковский»

Телефон: +7 495 668-12-70 (многоканальный)

Факс: +7 495 668-12-70 (доб.304)

E-mail: [info@moschip.ru](mailto:info@moschip.ru)

Skype отдела продаж:

moschip.ru

moschip.ru\_4

moschip.ru\_6

moschip.ru\_9