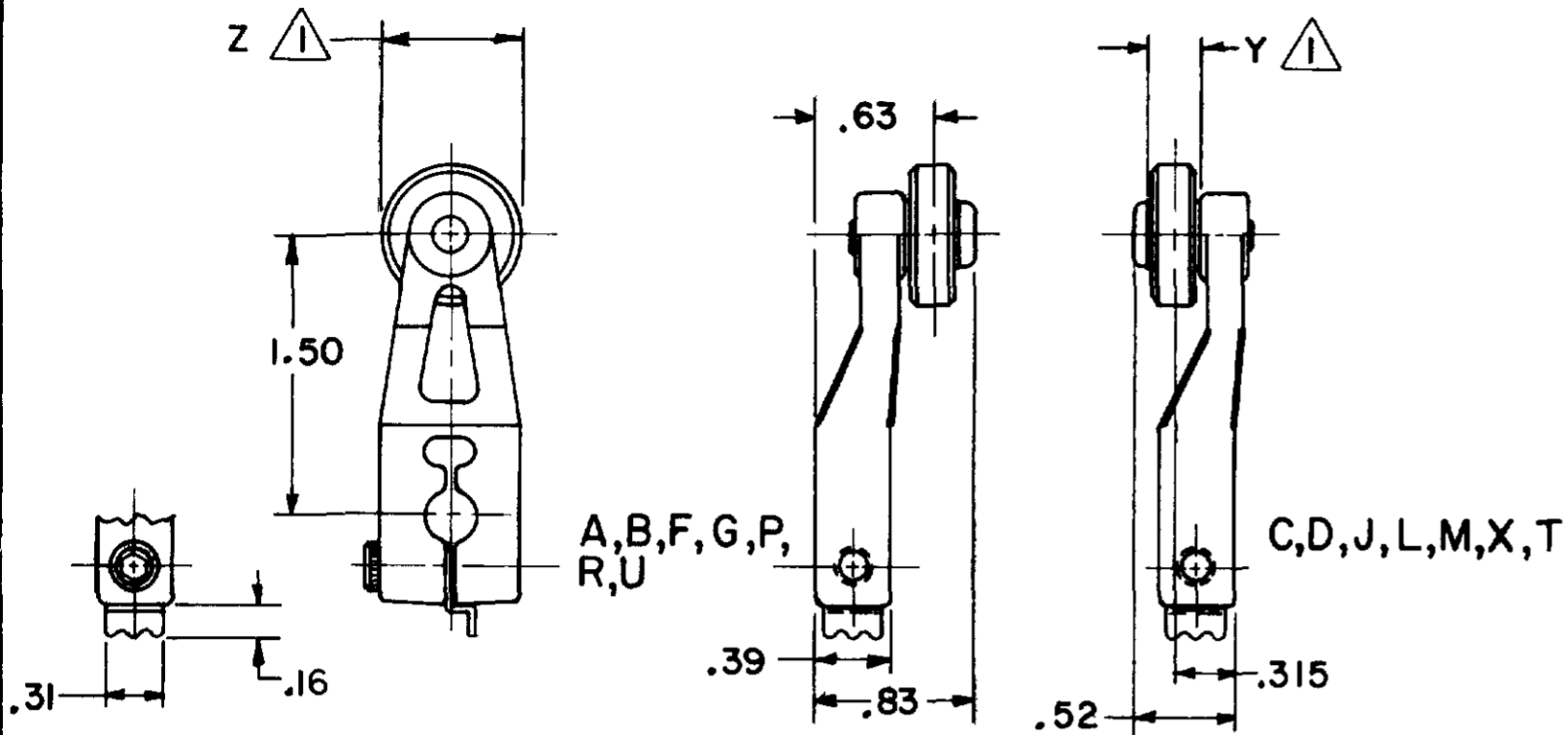


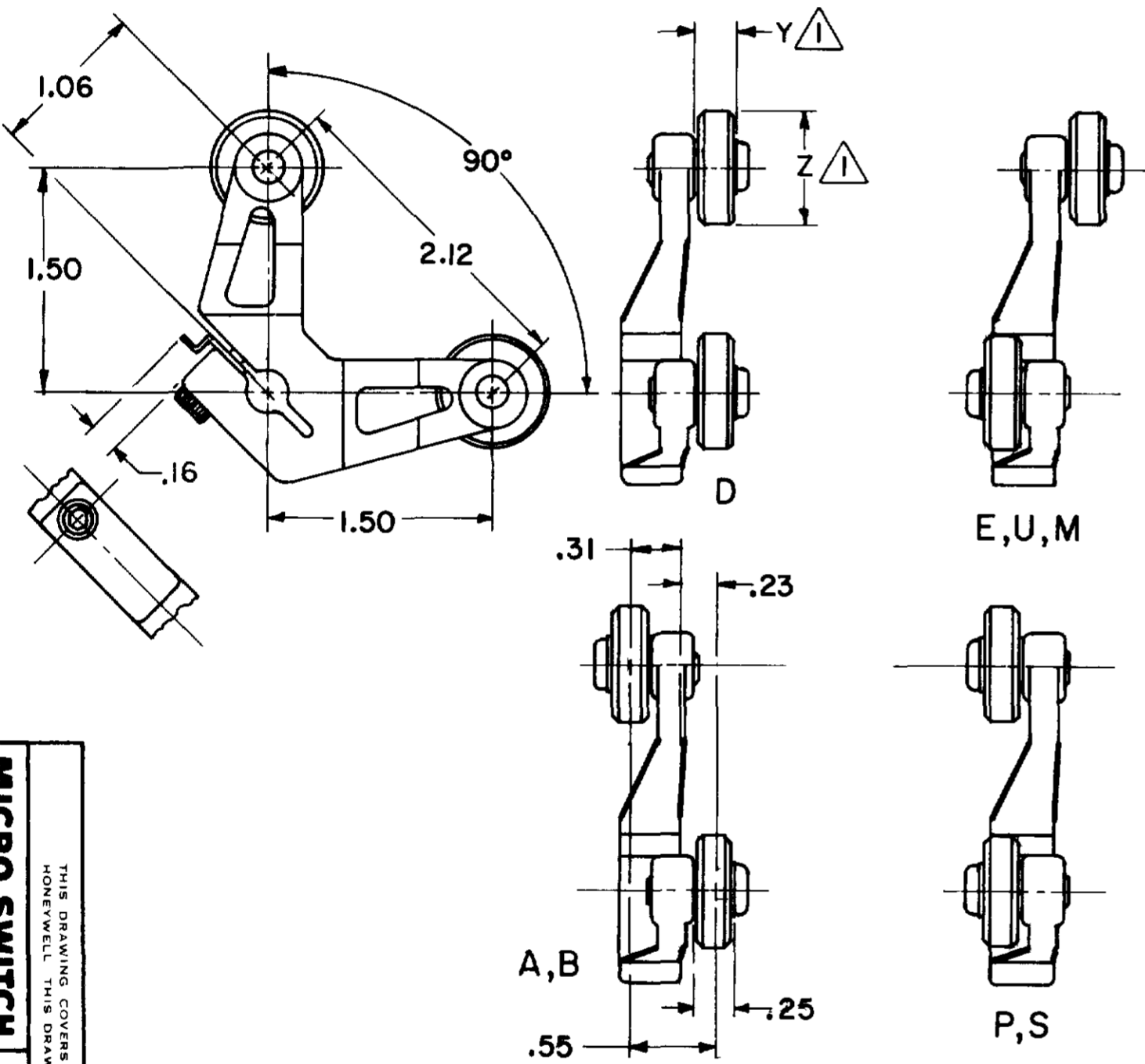
LEVERS FOR ROTARY LIMIT SWITCHES

ALL DIMENSIONS REFERENCE ONLY



CATALOG LISTING	ROLLER	Z DIA	Y WIDTH
LSZ51U	ST STEEL	.750	.575
LSZ51	NONE	---	---
LSZ51A	NYLON	.750	.250
LSZ51B	STEEL	.750	.250
LSZ51C	NYLON	.750	.250
LSZ51D	STEEL	.750	.250
LSZ51F	NYLON	1.000	.520
LSZ51G	NYLON	1.500	.250
LSZ51J	NYLON	1.000	.520
LSZ51L	BALL BEARING	.750	.250
LSZ51M	NYLON	.750	1.250
LSZ51P	NYLON	.750	.500
LSZ51N <sup>3</sup>	STEEL	.750	.250
Ⓢ	ST. STEEL	.750	.250
LSZ51T	ST. STEEL	.750	.375
LSZ51R	NYLON	1.59	.250
LSZ51W	RUBBER	1.60	.50
LSZ51Y	RUBBER	2.00	.50

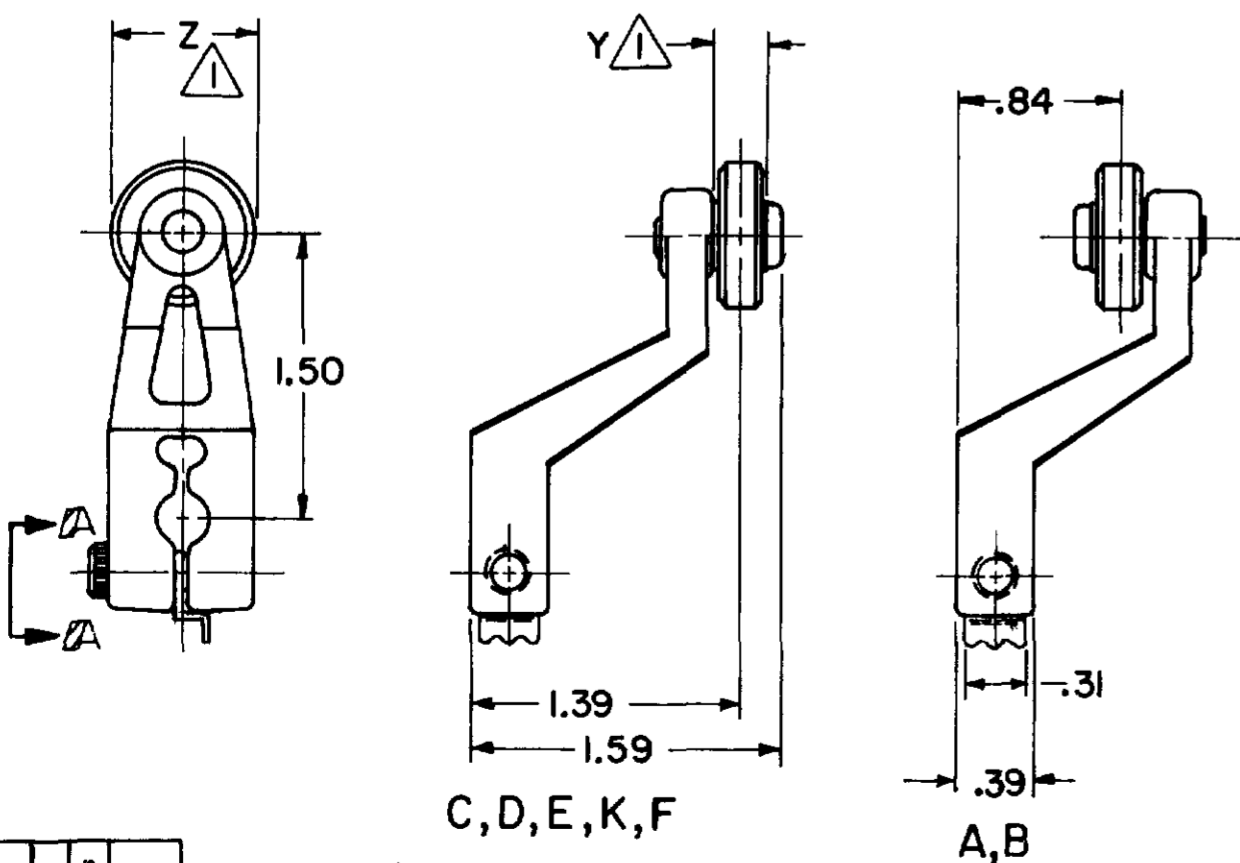
ALL DIMENSIONS REFERENCE ONLY



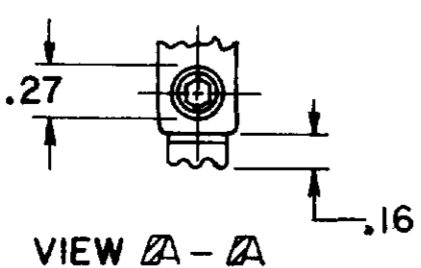
CATALOG LISTING	ROLLER	Z DIA.	Y WIDTH
LSZ53	NONE	---	---
LSZ53A	NYLON	.750	.250
LSZ53B	STEEL	.750	.250
LSZ53D	STEEL	.750	.250
LSZ53E	NYLON	.750	.250
LSZ53P	STEEL	.750	.250
LSZ53S	NYLON	.750	.250
LSZ53U	STEEL	.750	.250
LSZ53M	NYLON	.750	1.250

NOTES  
<sup>1</sup> FOR ADDITIONAL ROLLER WIDTHS AND/OR DIAMETERS, REFER TO THE CHART ON THE RIGHT  
<sup>2</sup> ALL SCREWS ARE #8-32 UNC WITH A 9/64 ALLEN HEAD SOCKET  
<sup>3</sup> SAME AS 6PA121 (6PA121 NOT SHOWN)

ALL DIMENSIONS REFERENCE ONLY



CATALOG LISTING	ROLLER	Z DIA.	Y WIDTH
LSZ55	NONE	---	---
LSZ55A	NYLON	.750	.250
LSZ55B	STEEL	.750	.250
LSZ55C	NYLON	.750	.250
LSZ55D	STEEL	.750	.250
LSZ55E	NYLON	.750	.500
LSZ55K	NYLON	1.500	.250
LSZ55F	NYLON	1.00	.500
LSZ55W	RUBBER	1.60	.50
LSZ55Y	RUBBER	2.00	.50

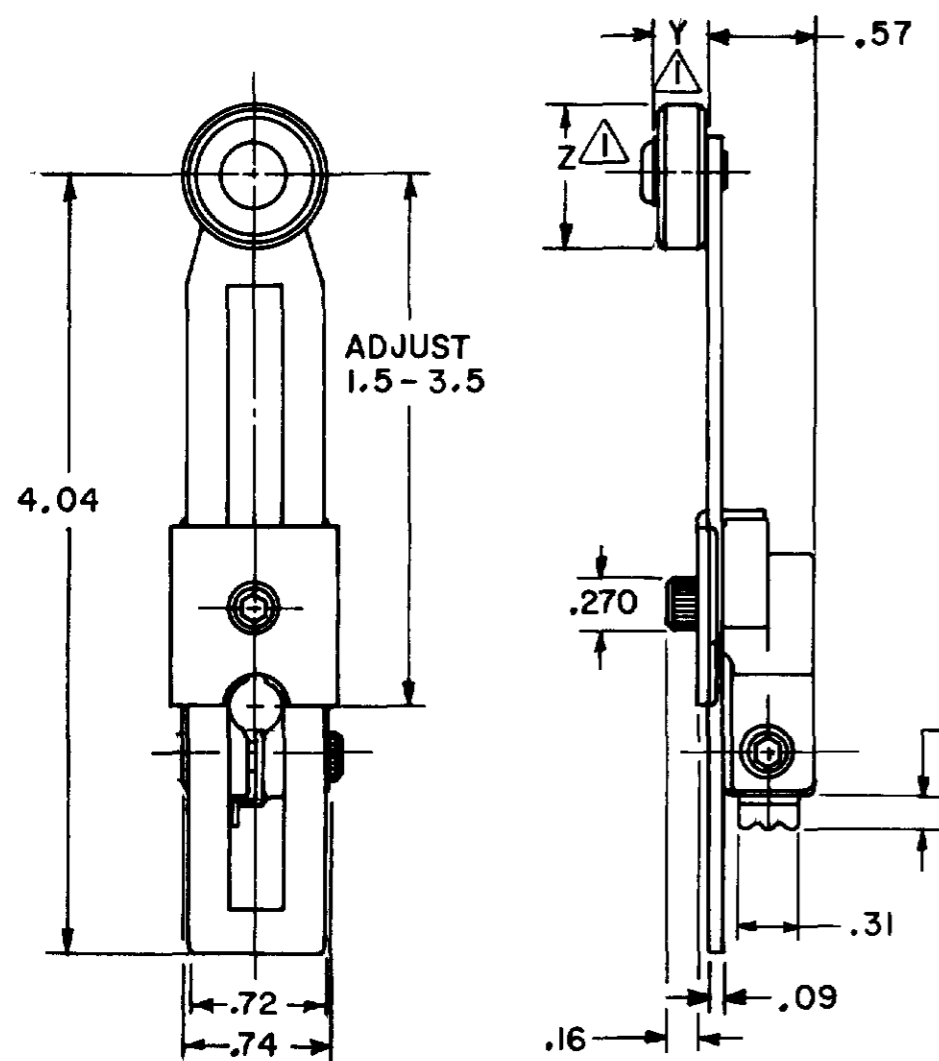


**MICRO SWITCH**  
 THIS DRAWING COVERS A PROPRIETARY ITEM AND IS THE PROPERTY OF MICRO SWITCH, A DIVISION OF HONEYWELL. THIS DRAWING IS NOT TO BE COPIED OR USED WITHOUT THE APPROVAL OF MICRO SWITCH.  
 MICRO SWITCH  
 A DIVISION OF HONEYWELL  
 3501 WING ROAD  
 MILWAUKEE, WISCONSIN 53211  
 U.S.A.  
**LSZ SERIES**  
 CATALOG LISTING  
**CHART 1**  
 DESIGN UNITS  
 DIMENSIONS IN INCHES  
 TOLERANCES  
 DIMENSIONS IN MILLIMETERS  
 TOLERANCES  
 SCALE FULL  
 DO NOT SCALE PRINT  
 THIRD ANGLE PROJECTION  
 WEIGHT

**M**  
**LSZ SERIES CHART 1**

### LEVERS FOR ROTARY LIMIT SWITCHES

ALL DIMENSIONS REFERENCE ONLY

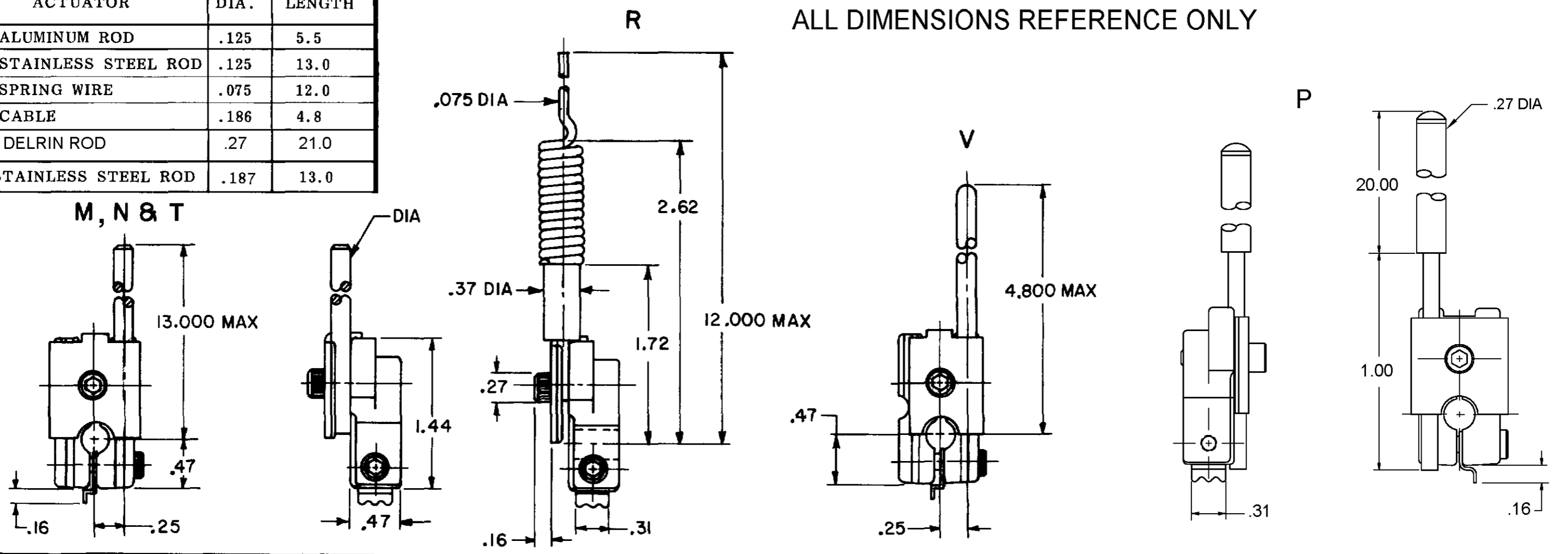


CATALOG LISTING	ROLLER	Z DIA	Y WIDTH
LSZ52	NONE	---	---
LSZ52A	NYLON	.750	.250
LSZ52B	STEEL	.750	.250
LSZ52C	NYLON	.750	.250
LSZ52D	STEEL	.750	.250
LSZ52J	NYLON	1.000	.500
LSZ52K	NYLON	1.500	.250
LSZ52M	NYLON	2.000	.250
LSZ52L	BALL BEARING	.750	.250
LSZ52E	NYLON	.750	1.300
LSZ52N	NYLON	.750	.500
LSZ52W	RUBBER	1.60	.50
LSZ52Y	RUBBER	2.00	.40

NOTES  
 1. FOR ADDITIONAL ROLLER WIDTHS AND/OR DIAMETERS REFER TO THE CHART ON THE RIGHT  
 2. ALL SCREWS ARE #8-32 UNC WITH A 9/64 ALLEN HEAD SOCKET EXCEPT LSZ52N WHICH USES BUTTON HEAD SCREW WITH 3/32 HEX SOCKET

CATALOG LISTING	ACTUATOR	DIA.	LENGTH
LSZ54M	ALUMINUM ROD	.125	5.5
LSZ54N	STAINLESS STEEL ROD	.125	13.0
LSZ54R	SPRING WIRE	.075	12.0
LSZ54V	CABLE	.186	4.8
LSZ54P	DELTRIN ROD	.27	21.0
LSZ54T	STAINLESS STEEL ROD	.187	13.0

ALL DIMENSIONS REFERENCE ONLY



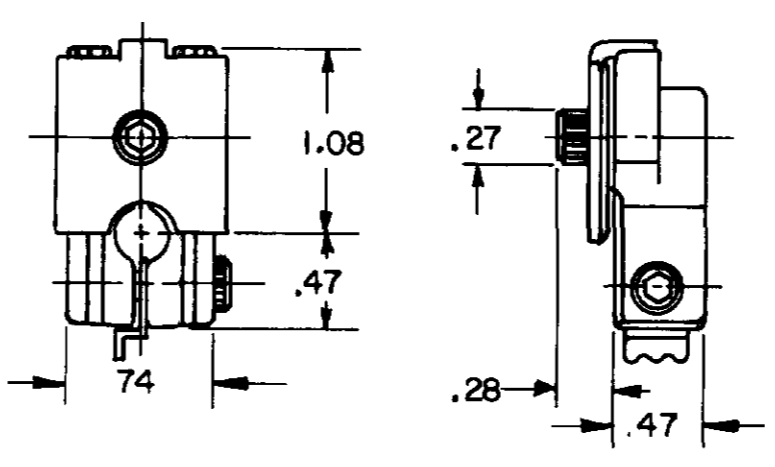
MASTER REDUCED

**MICRO SWITCH**  
 PREPARED IN U.S.A.  
 A DIVISION OF HONEYWELL  
 750 MFG CODE 5123

**LSZ SERIES CHART 1**

CATALOG LISTING	Y REF LENGTH	Z MAX WIDTH
LSZ 61	6.0	2.30
LSZ 618	9.5	4.00

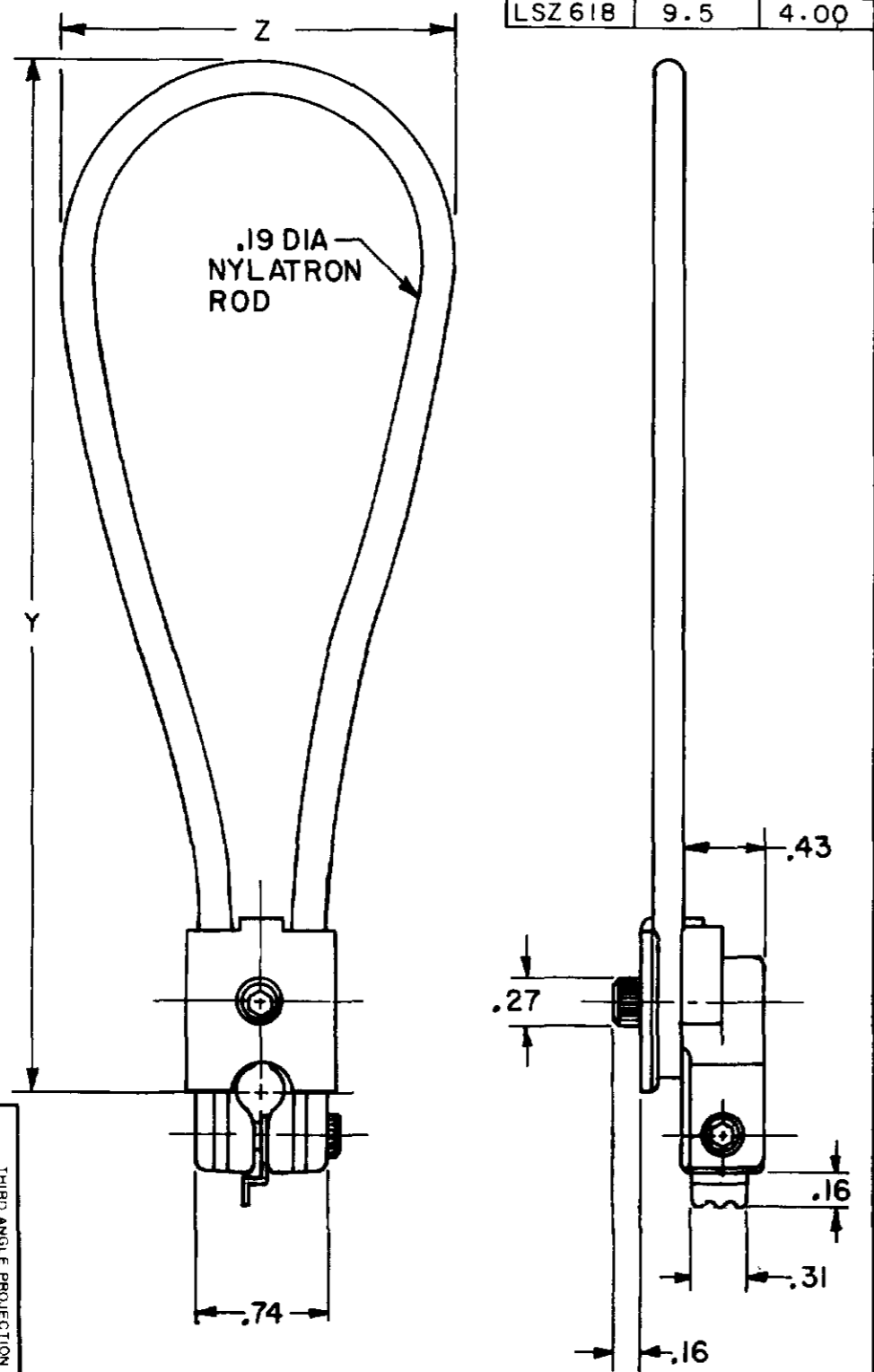
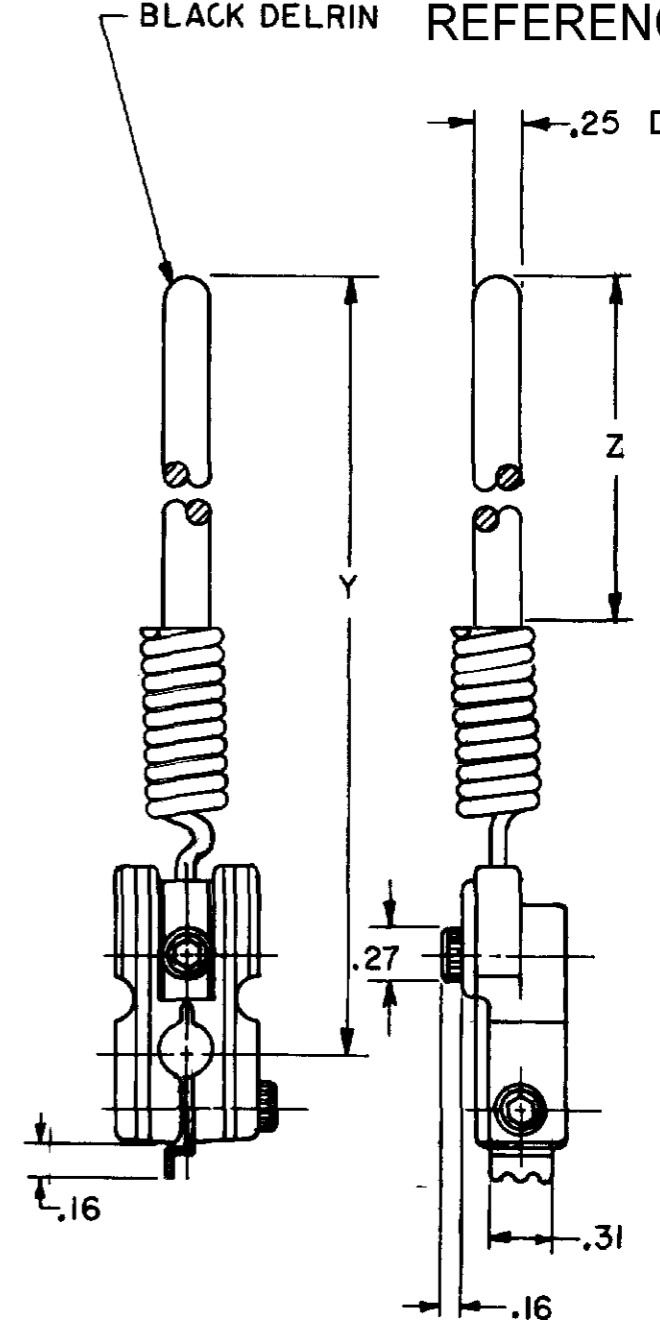
### LSZ54



ALL DIMENSIONS REFERENCE ONLY

CATALOG LISTING	Y LENGTH	Z LENGTH
LSZ68	12.0	9.80
LSZ617	16.0	14.00
LSZ686	6.0	3.8

ALL DIMENSIONS REFERENCE ONLY



ALL DIMENSIONS REFERENCE ONLY

**M** LSZ SERIES CHART 1

**SCALE FULL**  
 DO NOT SCALE PRINT

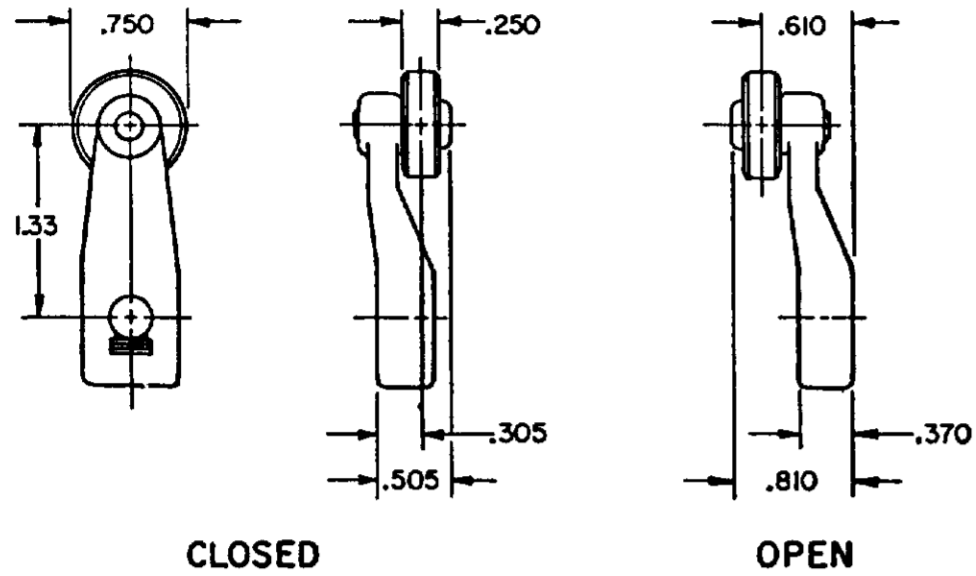
**TOLERANCES**  
 UNLESS OTHERWISE SPECIFIED:  
 DIMENSIONS IN PARENTHESIS ARE FOR REFERENCE UNDER NOTE TOLERANCES ARE:  
 .0015" ± .0002" (0.0015")  
 .0010" ± .0002" (0.0010")  
 .0005" ± .0002" (0.0005")  
 .0002" ± .0002" (0.0002")

**DESIGN UNITS**  
 DIMENSIONS ARE IN INCHES AND DECIMALS THEREOF UNLESS OTHERWISE SPECIFIED.

**WEIGHT**

# LEVERS FOR ROTARY LIMIT SWITCHES

## TYPE LSZ59 LEVER

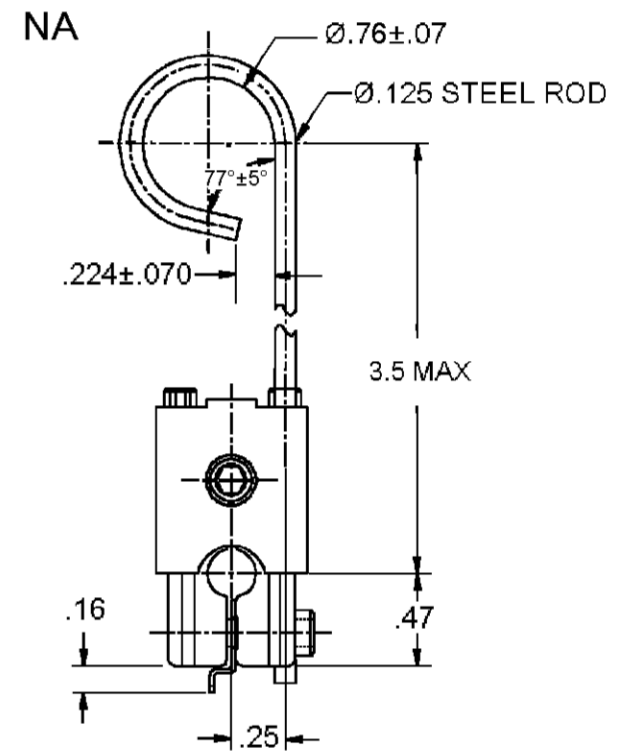
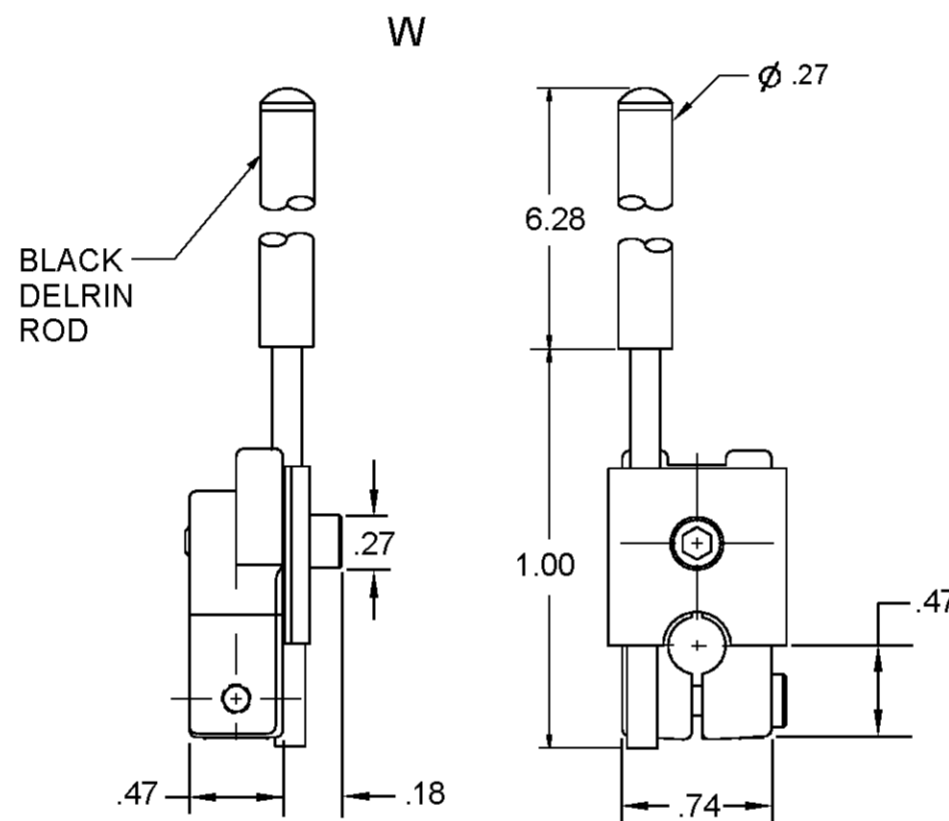


CATALOG LISTING	ROLLER	STYLE	DIA.	WIDTH
LSZ59	NONE	---	----	----
LSZ59A	NYLON	OPEN	.750	.250
LSZ59B	STEEL	OPEN	.750	.250
LSZ59C	NYLON	CLOSED	.750	.250
LSZ59D	STEEL	CLOSED	.750	.250
LSZ59L	BALL BEARING	CLOSED	.750	.250

ALL DIMENSIONS REFERENCE ONLY

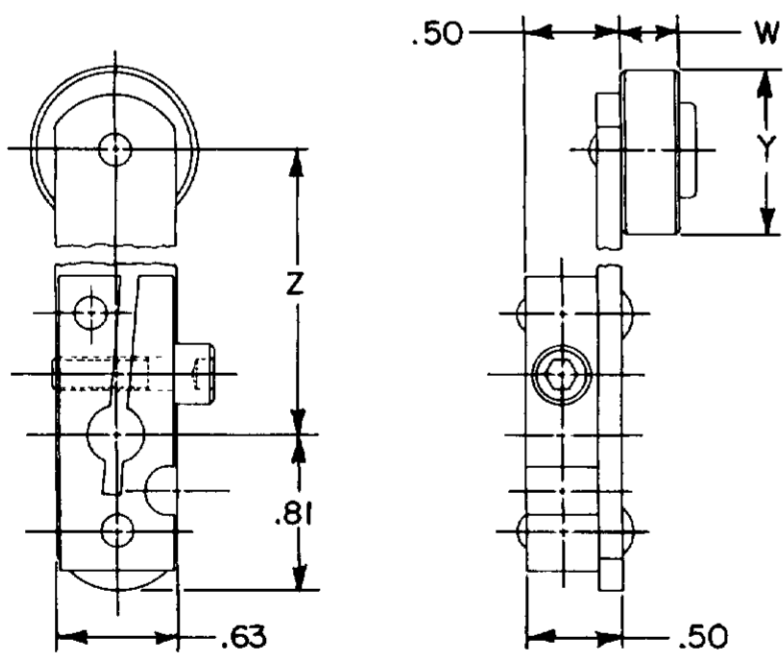
CATALOG LISTING	ACTUATOR	DIA.	LENGTH
LSZ54W	DELTRIN ROD - BLACK	.27	7.28
LSZ54NA	STAINLESS STEEL ROD	.125	

ALL DIMENSIONS REFERENCE ONLY



MASTER REDUCED

## FIXED LEVER TYPE



CATALOG LISTING	ROLLER	W WIDTH	Y DIA.	Z LENGTH
ⓐ	NYLON	.300	.875	1.500
ⓑ	NYLON	.300	.875	2.000
ⓒ	NYLON	.300	.875	2.500
ⓓ	NYLON	.300	.875	3.000
ⓔ	NYLON	.300	.875	3.500
ⓕ	NYLON	.300	.875	4.000
LSZ581B	ST. STL	.250	.750	1.500
ⓖ	ST. STL	.250	.750	2.000

NOTE  
1 - SCREW IS 10-32 WITH A 5/32 ALLEN HEAD SOCKET

ALL DIMENSIONS REFERENCE ONLY

**MICRO SWITCH**  
 FREEPORT, ILLINOIS, U.S.A.  
 A DIVISION OF HONEYWELL  
 FED. REG. CODE 91228

**LSZ SERIES**  
**CHART 1**

THIRD ANGLE PROJECTION	SCALE NONE	DO NOT SCALE PRINT
TOLERANCES	DESIGN UNITS	WEIGHT
.0001 TO .0005 .0005 TO .0010 .0010 TO .0015 .0015 TO .0020 .0020 TO .0025 .0025 TO .0030 .0030 TO .0035 .0035 TO .0040 .0040 TO .0045 .0045 TO .0050 .0050 TO .0055 .0055 TO .0060 .0060 TO .0065 .0065 TO .0070 .0070 TO .0075 .0075 TO .0080 .0080 TO .0085 .0085 TO .0090 .0090 TO .0095 .0095 TO .0100	.0001 .0005 .0010 .0015 .0020 .0025 .0030 .0035 .0040 .0045 .0050 .0055 .0060 .0065 .0070 .0075 .0080 .0085 .0090 .0095 .0100	.0001 .0005 .0010 .0015 .0020 .0025 .0030 .0035 .0040 .0045 .0050 .0055 .0060 .0065 .0070 .0075 .0080 .0085 .0090 .0095 .0100

## Данный компонент на территории Российской Федерации

### Вы можете приобрести в компании MosChip.

Для оперативного оформления запроса Вам необходимо перейти по данной ссылке:

<http://moschip.ru/get-element>

Вы можете разместить у нас заказ для любого Вашего проекта, будь то серийное производство или разработка единичного прибора.

В нашем ассортименте представлены ведущие мировые производители активных и пассивных электронных компонентов.

Нашей специализацией является поставка электронной компонентной базы двойного назначения, продукции таких производителей как XILINX, Intel (ex.ALTERA), Vicor, Microchip, Texas Instruments, Analog Devices, Mini-Circuits, Amphenol, Glenair.

Сотрудничество с глобальными дистрибьюторами электронных компонентов, предоставляет возможность заказывать и получать с международных складов практически любой перечень компонентов в оптимальные для Вас сроки.

На всех этапах разработки и производства наши партнеры могут получить квалифицированную поддержку опытных инженеров.

Система менеджмента качества компании отвечает требованиям в соответствии с ГОСТ Р ИСО 9001, ГОСТ РВ 0015-002 и ЭС РД 009

### Офис по работе с юридическими лицами:

105318, г.Москва, ул.Щербаковская д.3, офис 1107, 1118, ДЦ «Щербаковский»

Телефон: +7 495 668-12-70 (многоканальный)

Факс: +7 495 668-12-70 (доб.304)

E-mail: [info@moschip.ru](mailto:info@moschip.ru)

Skype отдела продаж:

moschip.ru

moschip.ru\_4

moschip.ru\_6

moschip.ru\_9