

LOW POWER CONSUMPTION

conga-TCA3

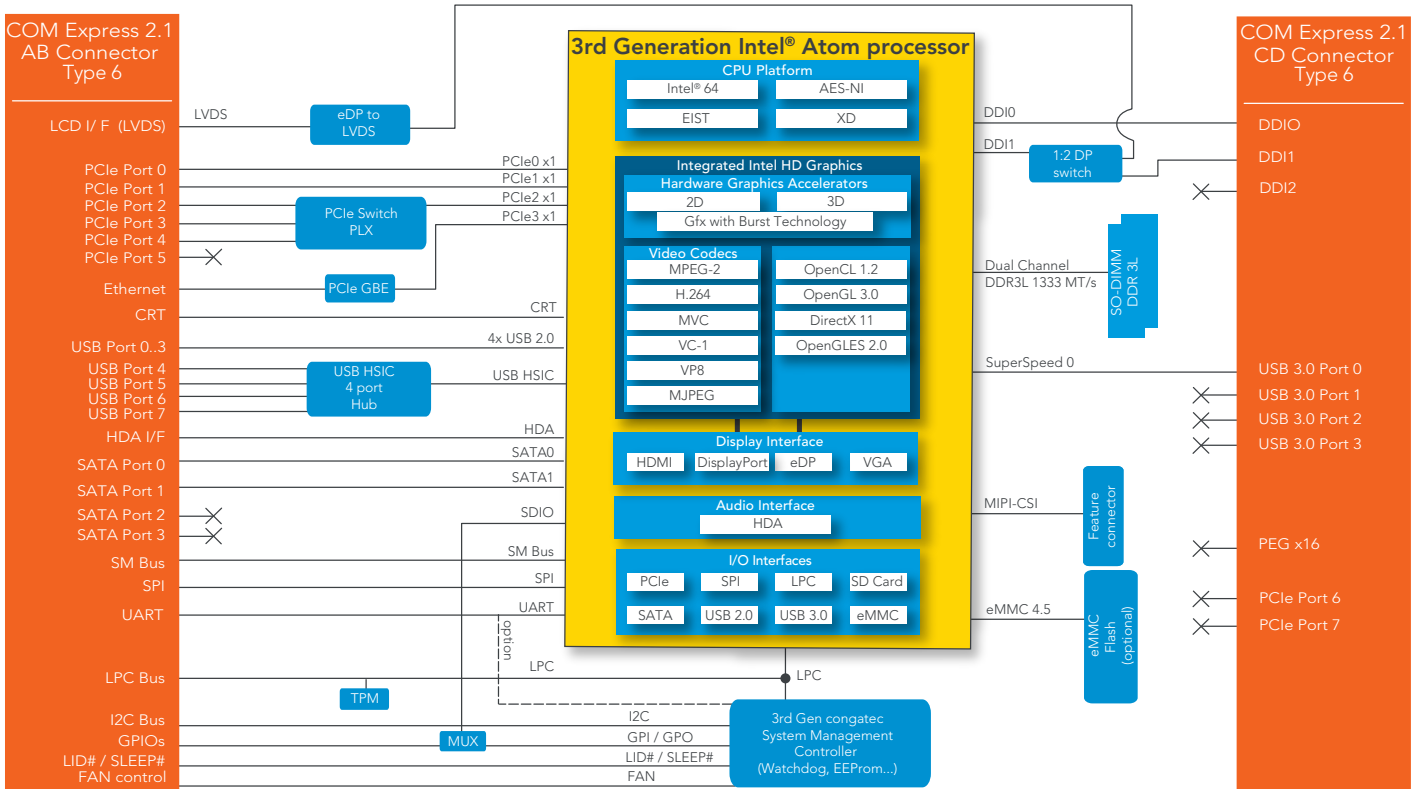


- 3rd Gen. Intel® Atom™ processor up to Quad Core
- COM Express Compact Type 6 module
- Temperature range up to -40°C .. +85°C

COM  **Express®**

Formfactor	Formfactor COM Express® Compact (95 x 95 mm) Type 6 Connector Layout			
CPU	Intel® Atom™ E3845	1.91 GHz Quad Core	L2 Cache 2MB	10W TDP
	Intel® Atom™ E3827	1.75 GHz Dual Core	L2 Cache 1MB	8W TDP
	Intel® Atom™ E3826	1.46 GHz Dual Core	L2 Cache 1MB	7W TDP
	Intel® Atom™ E3825	1.33 GHz Dual Core	L2 Cache 1MB	6W TDP
	Intel® Atom™ E3815	1.46 GHz Single Core	L2 Cache 512kB	5W TDP
	Intel® Celeron® J1900	2.0 GHz Quad Core	L2 Cache 2MB	10W TDP
	Intel® Celeron® N2930	1.83 GHz Quad Core	L2 Cache 2MB	7.5W TDP
	Intel® Celeron® N2807	1.58 GHz Dual Core	L2 Cache 1MB	4.3W TDP
DRAM	2 SO-DIMM sockets for DDR3L memory modules up to 8 GByte with 1333MT/s Dual channel memory interface for increased graphics performance.			
Chipset	Integrated in SoC			
Ethernet	Intel I210 Gigabit Ethernet			
I/O Interfaces	Up to 5x PCIe x1 8x USB 2.0 1x USB 3.0 2x SATA LPC SPI I ² C bus (fast mode 400 kHz multi-master) SDIO			
Sound	Digital High Definition Audio Interface			
Graphics	Intel® HD Graphics Gen 7 Full hardware acceleration for MPEG2 H.264 DirectX11 OCL 1.1 OGL 3.2 WMV9 and VC1			
LVDS	Dual channel LVDS transmitter support for flat panels with 2x24 bit data mapping up to a resolution of 1920x1200@60Hz.			
Digital Display Interface (DDI)	Up to 2x DisplayPort 1.1 (max. 2560x1600) or HDMI 1.4a (max. 1920x1200)			
CRT Interface	320 MHz RAMDAC resolutions up to 2560x1600			
congatec Board Controller	Multi Stage Watchdog non-volatile User Data Storage Manufacturing and Board Information Board Statistics BIOS Setup Data Backup I ² C bus (fast mode, 400 kHz, multi-master) Power Loss Control			
Embedded BIOS Features	OEM Logo OEM CMOS Defaults LCD Control Display Auto Detection Backlight Control Flash Update based on AMI Aptio UEFI			
Security	Trusted Platform Module (TPM) optional. Hash and RSA algorithms key lengths up to 2048 bits real random number generator			
Power Management	ACPI 5.0 with battery support			
Operating Systems	Microsoft® Windows 8 Microsoft® Windows 7 Linux Microsoft® Windows Embedded Standard Microsoft® Windows 7 Embedded Compact			
Power Consumption	Typ. application: see user's guide for full details CMOS Battery Backup			
Temperature	Commercial :	Operating: 0 to +60°C	Storage: -20 to +80°C	
	Industrial :	Operating: -40 to +85°C	Storage: -45 to +85°C	
Humidity	Operating: 10 - 90% r. H. non cond. Storage: 5 - 95% r. H. non cond.			
Size	95 x 95 mm (3.74" x 3.74")			

conga-TCA3 | Block diagram



conga-TCA3 | Order Information

Article	PN	Description
conga-TCA3/E3845	047300	Intel® Atom™ E3845 quad core processor with 1.91GHz, 2MB L2 cache and 1333MT/s dual channel DDR3L memory interface.
conga-TCA3/E3827	047301	Intel® Atom™ E3827 dual core processor with 1.75GHz, 1MB L2 cache and 1333MT/s dual channel DDR3L memory interface.
conga-TCA3/E3826	047302	Intel® Atom™ E3826 dual core processor with 1.46GHz, 1MB L2 cache and 1066MT/s dual channel DDR3L memory interface.
conga-TCA3/E3825	047303	Intel® Atom™ E3825 dual core processor with 1.33GHz, 1MB L2 cache and 1066MT/s single channel DDR3L memory interface.
conga-TCA3/E3815	047304	Intel® Atom™ E3815 single core processor with 1.46GHz, 512kB L2 cache and 1066MT/s single channel DDR3L memory interface.
conga-TCA3/i-E3845	047310	Intel® Atom™ E3845 quad core processor with 1.91GHz, 2MB L2 cache and 1333MT/s dual channel DDR3L memory interface. Industrial grade temperature range from -40°C to 85°C.
conga-TCA3/i-E3827	047311	Intel® Atom™ E3827 dual core processor with 1.75GHz, 1MB L2 cache and 1333MT/s dual channel DDR3L memory interface. Industrial grade temperature range from -40°C to 85°C.
conga-TCA3/i-E3826	047312	Intel® Atom™ E3826 dual core processor with 1.46GHz, 1MB L2 cache and 1066MT/s dual channel DDR3L memory interface. Industrial grade temperature range from -40°C to 85°C.
conga-TCA3/i-E3815	047314	Intel® Atom™ E3815 single core processor with 1.46GHz, 512kB L2 cache and 1066MT/s single channel DDR3L memory interface. Industrial grade temperature range from -40°C to 85°C.
conga-TCA3/J1900	047305	Intel® Celeron® J1900 quad core processor with 2.00GHz, 2MB L2 cache and 1333MT/s dual channel DDR3L memory interface.
conga-TCA3/N2930	047307	Intel® Celeron® N2930 quad core processor with 1.83GHz up to 2.16GHz, 2MB L2 cache and 1333MT/s dual channel DDR3L memory interface.
conga-TCA3/N2807	047308	Intel® Celeron® N2807 dual core processor with 1.58GHz up to 2.16GHz, 1MB L2 cache and 1333MT/s single channel DDR3L memory interface. Ultra-low power consumption with 4.5W TDP.
TCA3/HSP-T	047350	Standard heatspreader for COM Express module conga-TCA3. All standoffs are M2.5 thread.
TCA3/HSP-B	047351	Standard heatspreader for COM Express module conga-TCA3. All standoffs are 2.7mm bore hole.
TCA3/CSP-T	047352	Standard passive cooling solution for COM Express module conga-TCA3 with 20mm overall heat sink height. All standoffs are M2.5mm thread.
TCA3/CSP-B	047353	Standard passive cooling solution for COM Express module conga-TCA3 with 20mm overall heat sink height. All standoffs are 2.7mm bore hole.
DDR3L-SODIMM-1600 (2GB)	068755	DDR3L SODIMM memory module with 1600 MT/s (PC3L-12800S) and 2GB RAM
DDR3L-SODIMM-1600 (4GB)	068756	DDR3L SODIMM memory module with 1600 MT/s (PC3L-12800S) and 4GB RAM
DDR3L-SODIMM-1600 (8GB)	068757	DDR3L SODIMM memory module with 1600 MT/s (PC3L-12800S) and 8GB RAM
DDR3L-SODIMM-1600 (2GB) industrial	068782	Industrial DDR3L SODIMM memory module with 1600 MT/s (PC3L-12800S) and 2GB RAM
DDR3L-SODIMM-1600 (4GB) industrial	068783	Industrial DDR3L SODIMM memory module with 1600 MT/s (PC3L-12800S) and 4GB RAM
DDR3L-SODIMM-1600 (8GB) industrial	068784	Industrial DDR3L SODIMM memory module with 1600 MT/s (PC3L-12800S) and 8GB RAM
Accessories		
conga-TEVAL	065800	Evaluation carrier board for Type 6 COM-Express-modules
conga-LDVI/EPI	011115	LVDS to DVI converter board for digital flat panels with onboard EEPROM
COM-Express-carrier-board-Socket-5	400007	Connector for COM-Express carrier boards height 5mm packing unit 4 pieces
COM-Express-carrier-board-Socket-8	400004	Connector for COM-Express carrier boards height 8mm packing unit 4 pieces

Данный компонент на территории Российской Федерации

Вы можете приобрести в компании MosChip.

Для оперативного оформления запроса Вам необходимо перейти по данной ссылке:

<http://moschip.ru/get-element>

Вы можете разместить у нас заказ для любого Вашего проекта, будь то серийное производство или разработка единичного прибора.

В нашем ассортименте представлены ведущие мировые производители активных и пассивных электронных компонентов.

Нашей специализацией является поставка электронной компонентной базы двойного назначения, продукции таких производителей как XILINX, Intel (ex.ALTERA), Vicor, Microchip, Texas Instruments, Analog Devices, Mini-Circuits, Amphenol, Glenair.

Сотрудничество с глобальными дистрибьюторами электронных компонентов, предоставляет возможность заказывать и получать с международных складов практически любой перечень компонентов в оптимальные для Вас сроки.

На всех этапах разработки и производства наши партнеры могут получить квалифицированную поддержку опытных инженеров.

Система менеджмента качества компании отвечает требованиям в соответствии с ГОСТ Р ИСО 9001, ГОСТ РВ 0015-002 и ЭС РД 009

Офис по работе с юридическими лицами:

105318, г.Москва, ул.Щербаковская д.3, офис 1107, 1118, ДЦ «Щербаковский»

Телефон: +7 495 668-12-70 (многоканальный)

Факс: +7 495 668-12-70 (доб.304)

E-mail: info@moschip.ru

Skype отдела продаж:

moschip.ru

moschip.ru_4

moschip.ru_6

moschip.ru_9