



Main

| | |
|------------------------------|-------------------------------------|
| Range of product | OsiSense XCC |
| Encoder type | Incremental encoder |
| Encoder name | XCC |
| Product specific application | - |
| Diameter | 2.28 in (58 mm) |
| Shaft diameter | 0.55 in (14 mm) |
| Shaft type | Through shaft |
| Resolution | 100 points |
| Output stage | Type Y |
| Type of output stage | Driver push-pull |
| Electrical connection | 1 male connector M23 radial 12 pins |
| [Us] rated supply voltage | 5...30 V DC |
| Enclosure material | Zamak |

Complementary

| | |
|--------------------------|--|
| Shaft tolerance | H7 |
| Residual ripple | 500 mV |
| Maximum revolution speed | 6000 rpm |
| Shaft moment of inertia | 0.01 lb.in ² (22 g.cm ²) |
| Torque value | 0.05 lbf.in (0.006 N.m) |
| Maximum load | 2 daN axial 5 daN radial |
| Output frequency | 300 kHz |
| Number of channels | 3 |
| Current consumption | 0...75 mA (no-load) |
| Protection type | Reverse polarity protection Short-circuit protection |
| Maximum output current | 40 mA |
| Output level | Low level: 0.5 V maximum (20 mA) High level: V supply - 2.5 V minimum (20 mA) |
| Surge withstand | 1 kV, level 2 conforming to IEC 61000-4-5 |
| Base material | Aluminium |
| Shaft material | Stainless steel |
| Type of ball bearings | 6803ZZ |
| Product weight | 0.96 lb(US) (0.435 kg) |

Environment

| | |
|---------------------------------------|--|
| marking | CE |
| ambient air temperature for operation | -22...212 °F (-30...100 °C) |
| ambient air temperature for storage | -22...185 °F (-30...85 °C) |
| IP degree of protection | IP65 conforming to IEC 60529 |
| vibration resistance | 10 gn (f = 55...2000 Hz) conforming to IEC 60068-2-6 |
| shock resistance | 30 gn 11 ms conforming to IEC 60068-2-27 |
| resistance to electrostatic discharge | 8 kV (air discharge) level 3 conforming to IEC 61000-4-2 4 kV (contact discharge) level 3 conforming to IEC 61000-4-2 |
| resistance to electromagnetic fields | 9.14 V/yd (10 V/m) level 3 conforming to IEC 61000-4-3 |
| resistance to fast transients | 1 kV (signal ports) level 3 conforming to IEC 61000-4-4 2 kV (power ports) level 3 conforming to IEC 61000-4-4 |

The information provided in this documentation contains general descriptions and/or technical characteristics of the performance of the products contained herein. This documentation is not intended as a substitute for and is not to be used for determining suitability or reliability of these products for specific user applications. It is the duty of any such user or integrator to perform the appropriate and complete risk analysis, evaluation and testing of the products with respect to the relevant specific application or use thereof. Neither Schneider Electric Industries SAS nor any of its affiliates or subsidiaries shall be responsible or liable for misuse of the information contained herein.

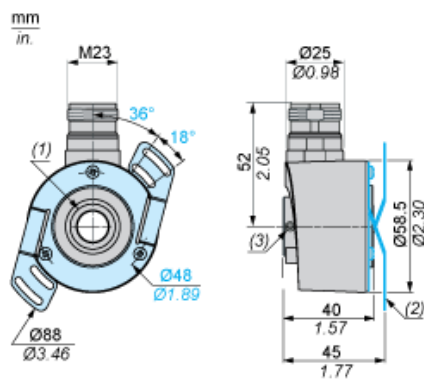
Offer Sustainability

| | |
|--|--|
| Not Green Premium product | Not Green Premium product |
| Compliant - since 0701 - Schneider Electric declaration of conformity | Compliant - since 0701 - Schneider Electric declaration of conformity |
| Reference not containing SVHC above the threshold | Reference not containing SVHC above the threshold |
| WARNING: This product can expose you to chemicals including: | WARNING: This product can expose you to chemicals including: |
| Diisononyl phthalate (DINP), which is known to the State of California to cause cancer, and | Diisononyl phthalate (DINP), which is known to the State of California to cause cancer, and |
| Di-isodecyl phthalate (DIDP), which is known to the State of California to cause birth defects or other reproductive harm. | Di-isodecyl phthalate (DIDP), which is known to the State of California to cause birth defects or other reproductive harm. |
| For more information go to www.p65warnings.ca.gov | For more information go to www.p65warnings.ca.gov |

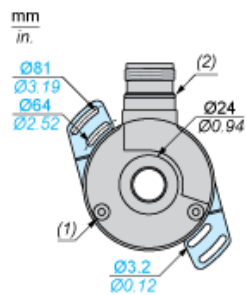
Contractual warranty

| | |
|-----------------|-----------|
| Warranty period | 18 months |
|-----------------|-----------|

Dimensions



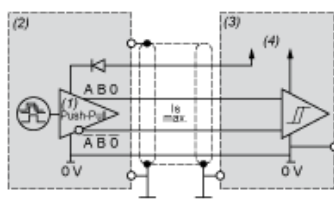
- (1) Through shaft, Ø 14 (H7)
- (2) Flexible mounting kit, 1 x XCCRF5N mounted
- (3) 2 HC M4 x 4 locking screws



- (1) Hole for M3 x 6 self-threading screw
- (2) Nitrile seal

Wiring Diagram

Type Y Output Stage

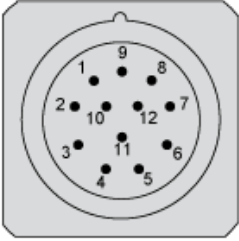


- (1) RS 422 compatible on 5 V supply
- (2) Encoder
- (3) Processing
- (4) Supply 5 V/30 V

Wiring Diagram

M23, 12-pin Connector Connections

Male Connector on Encoder



| Pin number | 1 | 2 | 3 | 4 | 5 | 6 | 7 | 8 | 9 | 10 | 11 | 12 |
|---------------|----------------|----|---|----------------|---|----------------|---|---|---|-----|-----|----|
| Signal Supply | A ⁻ | +V | 0 | 0 ⁻ | B | B ⁻ | R | A | R | 0 V | 0 V | +V |

R = reserved, do not connect

Данный компонент на территории Российской Федерации

Вы можете приобрести в компании MosChip.

Для оперативного оформления запроса Вам необходимо перейти по данной ссылке:

<http://moschip.ru/get-element>

Вы можете разместить у нас заказ для любого Вашего проекта, будь то серийное производство или разработка единичного прибора.

В нашем ассортименте представлены ведущие мировые производители активных и пассивных электронных компонентов.

Нашей специализацией является поставка электронной компонентной базы двойного назначения, продукции таких производителей как XILINX, Intel (ex.ALTERA), Vicor, Microchip, Texas Instruments, Analog Devices, Mini-Circuits, Amphenol, Glenair.

Сотрудничество с глобальными дистрибьюторами электронных компонентов, предоставляет возможность заказывать и получать с международных складов практически любой перечень компонентов в оптимальные для Вас сроки.

На всех этапах разработки и производства наши партнеры могут получить квалифицированную поддержку опытных инженеров.

Система менеджмента качества компании отвечает требованиям в соответствии с ГОСТ Р ИСО 9001, ГОСТ РВ 0015-002 и ЭС РД 009

Офис по работе с юридическими лицами:

105318, г.Москва, ул.Щербаковская д.3, офис 1107, 1118, ДЦ «Щербаковский»

Телефон: +7 495 668-12-70 (многоканальный)

Факс: +7 495 668-12-70 (доб.304)

E-mail: info@moschip.ru

Skype отдела продаж:

moschip.ru

moschip.ru_4

moschip.ru_6

moschip.ru_9