

# PLC-OPIT- 60DC/ 24DC/2

Order No.: 2900366




<http://eshop.phoenixcontact.de/phoenix/treeViewClick.do?UID=2900366>

PLC interface, consisting of PLC-BPIT basic terminal block with Push-In connection and pluggable miniature optocoupler, for assembly on DIN rail NS 35/7.5, input: 60 V DC, output: 3-33 V DC/3 A



## Commercial data

|                          |  |
|--------------------------|--|
| GTIN (EAN)               | <br>4 046356 506823 |
| Note                     | Made-to-order  |
| sales group              | G247   |
| Pack                     | 10 pcs.  |
| Customs tariff           | 85364190   |
| Catalog page information | Page 85 (IF-2011)  |

## Product notes

WEEE/RoHS-compliant since:  
11/17/2009



<http://www.download.phoenixcontact.com>  
Please note that the data given here has been taken from the online catalog. For comprehensive information and data, please refer to the user documentation. The General Terms and Conditions of Use apply to Internet downloads.

## Technical data

### Input data

|  |             |
|--|-------------|
| Nominal input voltage $U_N$                          | 60 V DC     |
| Input voltage range in reference to $U_N$            | 0.8 ... 1.2 |
| Switching threshold "0" signal in reference to $U_N$ | $\leq 0.3$  |

|  |                                      |
|--|--------------------------------------|
| Switching threshold "1" signal in reference to $U_N$ | $\geq 0.8$                           |
| Typical input current at $U_N$                       | 5 mA                                 |
| Typical response time                                | 40 $\mu$ s (at $U_N$ )               |
| Typical turn-off time                                | 500 $\mu$ s (at $U_N$ )              |
| Operating voltage display                            | Yellow LED                           |
| Type of protection                                   | Protection against polarity reversal |
|  | Free-wheeling diode                  |
| Protective circuit/component                         | Polarity protection diode            |
|  | Damping diode                        |
| Transmission frequency                               | 100 Hz                               |

#### Output data

|  |                                      |
|--|--------------------------------------|
| Output nominal voltage range                     | 3 V DC ... 33 V DC                   |
| Limiting continuous current                      | 3 A (see derating curve)             |
| Maximum inrush current                           | 15 A (10 ms)                         |
| Voltage drop at max. limiting continuous current | $\leq 200$ mV                        |
| Output circuit                                   | 2-wire, floating                     |
| Type of protection                               | Protection against polarity reversal |
|  | Surge protection                     |
| Protective circuit/component                     | Polarity protection diode            |

#### Connection data

|  |                      |
|--|----------------------|
| Connection method                      | Push-In connection   |
| Stripping length                       | 8 mm                 |
| Conductor cross section solid min.     | 0.14 mm <sup>2</sup> |
| Conductor cross section solid max.     | 2.5 mm <sup>2</sup>  |
| Conductor cross section stranded min.  | 0.14 mm <sup>2</sup> |
| Conductor cross section stranded max.  | 2.5 mm <sup>2</sup>  |
| Conductor cross section AWG/kcmil min. | 26                   |
| Conductor cross section AWG/kcmil max  | 14                   |

#### General data

|   |                  |
|---|------------------|
| Width                                   | 6.2 mm           |
| Height                                  | 80 mm            |
| Depth                                   | 94 mm            |
| Ambient temperature (operation)         | -25 °C ... 60 °C |
| Ambient temperature (storage/transport) | -25 °C ... 70 °C |

|                                    |                           |
|------------------------------------|---------------------------|
| Mounting position                  | Any                       |
| Assembly instructions              | In rows with zero spacing |
| Operating mode                     | 100% operating factor     |
| Inflammability class acc. to UL 94 | V0                        |
| Pollution degree                   | 2                         |
| Surge voltage category             | III                       |

### Certificates / Approvals



Certification

CUL, CUL Listed, UL, UL Listed

### Accessories

| Item            | Designation                  | Description  |
|-----------------|------------------------------|--|
| <b>Assembly</b> |                              |  |
| 0801762         | NS 35/ 7,5 CU UNPERF 2000MM  | DIN rail, material: Copper, unperforated, height 7.5 mm, width 35 mm, length: 2 m  |
| 0801733         | NS 35/ 7,5 PERF 2000MM       | DIN rail, material: steel galvanized and passivated with a thick layer, perforated, height 7.5 mm, width 35 mm, length: 2000 mm  |
| 0801681         | NS 35/ 7,5 UNPERF 2000MM     | DIN rail, material: Steel, unperforated, height 7.5 mm, width 35 mm, length: 2 m   |
| 0801377         | NS 35/ 7,5 V2A UNPERF 2000MM | DIN rail, Width: 35 mm, Height: 7.5 mm, Length: 2000 mm, Color: silver   |
| 1201756         | NS 35/15 AL UNPERF 2000MM    | DIN rail, deep drawn, high profile, unperforated, 1.5 mm thick, material: aluminum, height 15 mm, width 35 mm, length 2000 mm  |
| 1201895         | NS 35/15 CU UNPERF 2000MM    | DIN rail, material: Copper, unperforated, 1.5 mm thick, height 15 mm, width 35 mm, length: 2 m   |
| 1201730         | NS 35/15 PERF 2000MM         | DIN rail, material: steel galvanized and passivated with a thick layer, perforated, height 15 mm, width 35 mm, length: 2000 mm   |
| 1201714         | NS 35/15 UNPERF 2000MM       | DIN rail, material: Steel, unperforated, height 15 mm, width 35 mm, length: 2 m  |
| 1201798         | NS 35/15-2,3 UNPERF 2000MM   | DIN rail, material: Steel, unperforated, 2.3 mm thick, height 15 mm, width 35 mm, length: 2 m  |
| 2966841         | PLC-ATP BK                   | Separating plate, 2 mm thick, required at the start and end of a PLC terminal strip. Furthermore, it is used for: visual separation of groups, safe isolation of different voltages of neighboring PLC relays in acc. with DIN VDE 0106-101, isolation |

### Bridges

|         |                 |  |
|---------|-----------------|--|
| 2966812 | FBST 6-PLC BU   | Single plug-in bridge, Length: 6 mm, Number of positions: 2, Color: blue |
| 2966825 | FBST 6-PLC GY   | Single plug-in bridge, Length: 6 mm, Number of positions: 2, Color: gray |
| 2966236 | FBST 6-PLC RD   | Single plug-in bridge, Length: 6 mm, Number of positions: 2, Color: red  |
| 2967688 | FBST 8-PLC GY   | Single plug-in bridge, Length: 8 mm, Number of positions: 2, Color: gray |
| 2966692 | FBST 500-PLC BU | Continuous plug-in bridge, Length: 500 mm, Color: blue                   |
| 2966838 | FBST 500-PLC GY | Continuous plug-in bridge, Length: 500 mm, Color: gray                   |
| 2966786 | FBST 500-PLC RD | Continuous plug-in bridge, Length: 500 mm, Color: red                    |

### General

|         |                   |  |
|---------|-------------------|--|
| 2966605 | OPT-60DC/ 24DC/ 2 | Pluggable miniature optocouplers, power optocouplers, input: 60 V DC, output: 3-33 V DC/3 A                            |
| 2900279 | PLC-BPIT- 60DC/21 | 6.2 mm PLC basic terminal blocks in Push-In connection method, input voltage of 60 V DC (without relay or optocoupler) |
| 2966508 | PLC-ESK GY        | Power terminal block, for the input of up to four potentials, for mounting on NS 35/7.5                                |

### Marking

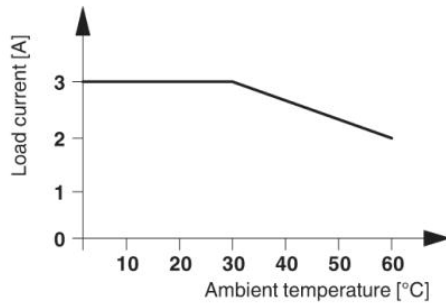
|         |                        |  |
|---------|------------------------|--|
| 1051016 | ZB 6,LGS:FORTL.ZAHLEN  | Zack marker strip, 10-section, printed horizontally: with the numbers 1 - 10, 11 - 20 and so on up to 491 - 500, color: white  |
| 5060935 | ZB 6/WH-100:UNBEDRUCKT | Zack strip, unprinted: For individual labeling with M-PEN, ZB-T or CMS system, large batch, sufficient for labeling 1000 terminal blocks, for a terminal width of 6.2 mm, color: White |
| 1051003 | ZB 6:UNBEDRUCKT        | Zack strip, unprinted, strips with 10 labels for individual labeling with M-PEN or CMS system, for terminal block width: 6.2 mm, color: white  |

### Tools

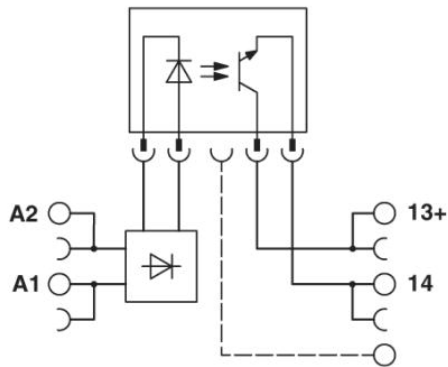
|         |               |   |
|---------|---------------|---|
| 1204517 | SZF 1-0,6X3,5 | Actuation tool, for ST terminal blocks, also suitable for use as a bladed screwdriver, size: 0.6 x 3.5 x 100 mm, 2-component grip, with non-slip grip |
|---------|---------------|---|

## Diagrams/Drawings

### Diagram



### Circuit diagram



**Address**

PHOENIX CONTACT Inc., USA  
586 Fulling Mill Road  
Middletown, PA 17057, USA  
Phone (800) 888-7388  
Fax (717) 944-1625  
<http://www.phoenixcon.com>



© 2011 Phoenix Contact  
Technical modifications reserved;

## Данный компонент на территории Российской Федерации

### Вы можете приобрести в компании MosChip.

Для оперативного оформления запроса Вам необходимо перейти по данной ссылке:

<http://moschip.ru/get-element>

Вы можете разместить у нас заказ для любого Вашего проекта, будь то серийное производство или разработка единичного прибора.

В нашем ассортименте представлены ведущие мировые производители активных и пассивных электронных компонентов.

Нашей специализацией является поставка электронной компонентной базы двойного назначения, продукции таких производителей как XILINX, Intel (ex.ALTERA), Vicor, Microchip, Texas Instruments, Analog Devices, Mini-Circuits, Amphenol, Glenair.

Сотрудничество с глобальными дистрибьюторами электронных компонентов, предоставляет возможность заказывать и получать с международных складов практически любой перечень компонентов в оптимальные для Вас сроки.

На всех этапах разработки и производства наши партнеры могут получить квалифицированную поддержку опытных инженеров.

Система менеджмента качества компании отвечает требованиям в соответствии с ГОСТ Р ИСО 9001, ГОСТ РВ 0015-002 и ЭС РД 009

### Офис по работе с юридическими лицами:

105318, г.Москва, ул.Щербаковская д.3, офис 1107, 1118, ДЦ «Щербаковский»

Телефон: +7 495 668-12-70 (многоканальный)

Факс: +7 495 668-12-70 (доб.304)

E-mail: [info@moschip.ru](mailto:info@moschip.ru)

Skype отдела продаж:

moschip.ru

moschip.ru\_4

moschip.ru\_6

moschip.ru\_9