

IS31BL3506B 1.0MHZ BOOST CONVERTER WITH 35V INTERNAL MOSFET SWITCH

DESCRIPTION

IS31BL3506B is a boost converter featuring an integrated MOSFET switch designed for driving series strings of LED or other device. Input operating voltage range is 2.7V~5.5V. The device regulates the LED load current is set using an external, low value sensing resistor. The device adjusts the PWM duty cycle of the switch to maintain the voltage at the FB pin at a value of 0.2V. The IS31BL3506B operates at a constant switching frequency of 1.0MHz to allow for small component size. IS31BL3506B features an over voltage shutdown pin which prevents the output voltage from exceeding 35V (typ.) in the case of an open circuit condition.

FEATURES

- Supply voltage: 2.7V~5.5V
- Built-in soft start
- Drive series strings of 8 LEDs
- PWM or DC voltage dimming
- Frequency of PWM is 500Hz ~ 500kHz
- 1.0MHz high speed switching frequency
- 200mV feedback voltage
- Integrated high power MOSFET
- Over voltage protection
- -40°C ~ +85°C working temperature range
- SOT23-6 package

QUICK START

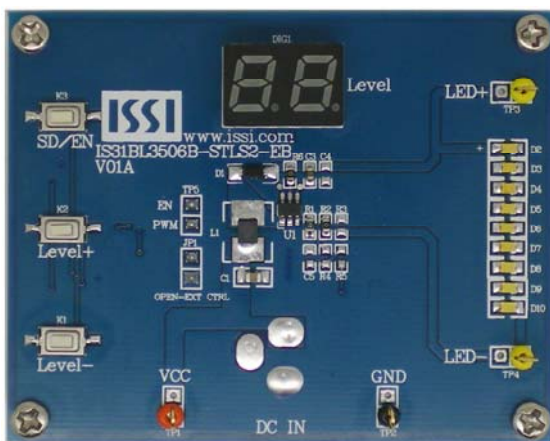


Figure 1: Photo of IS31BL3506B Evaluation Board

RECOMMENDED EQUIPMENT

- 5.0V, 2A power supply

ABSOLUTE MAXIMUM RATINGS

- ≤ 5.5V power supply

Caution: Do not exceed the conditions listed above, otherwise the board will be damaged.

PROCEDURE

The IS31BL3506B evaluation board is fully assembled and tested. Follow the below steps to verify operation.

Caution: Do not turn on the power supply until all connections are completed.

- 1) Connect the Power Supply ground terminal to the PCB GND input pin and the positive terminal to the PCB VCC input pin. Or connect a 5V wall-mount DC power out plug (center power) to the PCB connector (CON1 / DC IN).
- 2) Turn on the power supply and pay attention to the supply current. If the current exceeds 2A, please check for circuit fault.

EVALUATION BOARD OPERATION

The WLED light intensity is adjusted by the onboard MCU (LPC936) which generates a PWM signal to the IS31BL3506B EN pin 4. There are 32 intensity levels with the lowest set as the power on default. Pressing the Level+ key will increase the intensity level while pressing the Level- key will decrease the level. The 7-segment LED (DIG1) will show the corresponding light intensity level. The SD/EN key is used to toggle between shutdown and enable modes. The LED+ and LED- are test points to monitor the output voltage.

LED CURRENT SETTING

When the IS31BL3506B is used for LED driving applications, the LED current flows through external feedback resistors R_1 and R_2 to regulate the LED current. The internal feedback regulation point is 0.2V.

The max current is calculated by the following:

$$I_{MAX} = V_{FB} / R_{SET} \quad \text{and} \quad R_{SET} = R_1 / R_2 \quad (R_2=1\Omega \text{ if zero ohm resistor used}).$$

For accurate LED current, resistors should be 1% or better tolerance.

SOFTWARE SUPPORT

JP1 is connected by default. Open it to disable the onboard MCU which will place the IS31BL3506B EN pin in High impedance. An external driving signal can then be connected to TP5 connector to control the IS31BL3506B LED driver. Please refer to the SW program for LPC936 code example.

Please refer to the datasheet to get more information about IS31BL3506B.

IS31BL3506B 1.0MHZ BOOST CONVERTER WITH 35V INTERNAL MOSFET SWITCH

ORDERING INFORMATION

Part No.	Temperature Range	Package
IS31BL3506B-STLS2-EB	-40°C ~ +85°C (Industrial)	SOT23-6, Lead-free

Table1: Ordering Information

For pricing, delivery, and ordering information, please contacts ISSI's analog marketing team at analog@issi.com or (408) 969-6600.

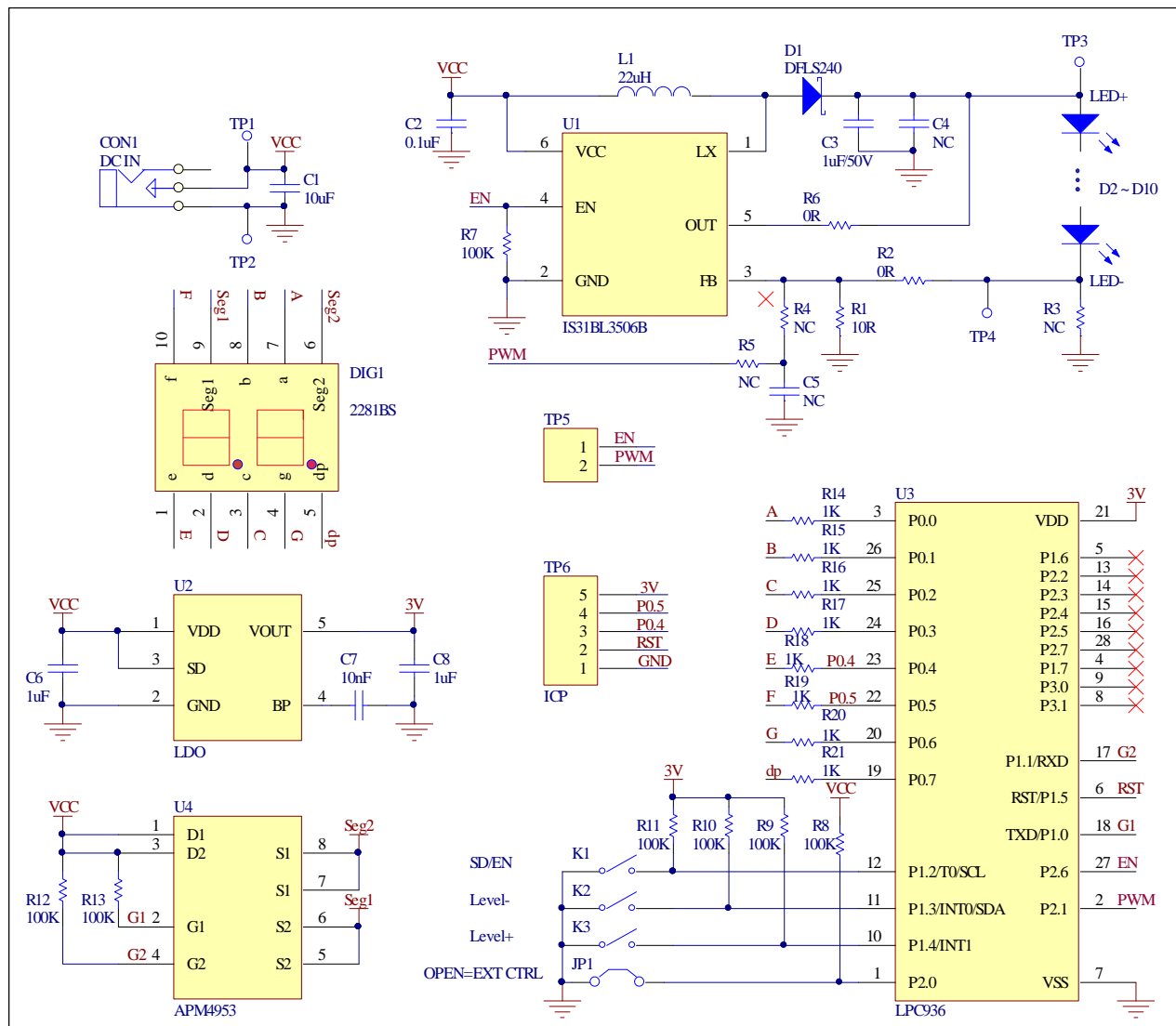


Figure 2: IS31BL3506B Application Schematic

**IS31BL3506B 1.0MHZ BOOST CONVERTER
WITH 35V INTERNAL MOSFET SWITCH**



BILL OF MATERIALS

Name	Symbol	Description	Qty	Supplier	Part No.
LED Driver	U1	FxLED boost converter driver	1	ISSI	IS31BL3506B
LDO	U2	Low-dropout regulator	1	PAM	PAM3101
MCU	U3	Microcontroller	1	NXP	LPC936
PMOS	U4	Dual PMOS	1	ANPEC	APM4953
Display	DIG1	Dual digit display common anode	1	ZSO	2281BS
Diode	D1	Schottky Diode, SMD	1		DFLS260
Diode	D2~D10	Diode, LED White, SMD	9	Everlight	EHP-C04/UT01-P01/TR
Inductor	L1	IND,22μH±20%,SMD	1	Murata	22μH,IND
Resistor	R1	RES,10R,1/16W,±5%,SMD	1		
Resistors	R2,R6	RES,0R,1/16W,±5%,SMD	2		
	R3,R4,R5,C4,C5	Not Connect	5		
Resistors	R7~R13	RES,100k,1/16W,±5%,SMD	7		
Resistors	R14~R21	RES,1k,1/16W,±5%,SMD	8		
Capacitor	C1	CAP,10μF,16V,±20%,SMD	1		
Capacitors	C2	CAP,0.1μF,16V,±20%,SMD	1		
Capacitors	C3,C6,C8	CAP,1μF,50V,±20%,SMD	3		
Capacitor	C7	CAP,10nF,16V,±20%,SMD	1		
Buttons	K1~K3	Buttons SMD	3		

Bill of materials, refer to Figure 2 above.

IS31BL3506B 1.0MHZ BOOST CONVERTER WITH 35V INTERNAL MOSFET SWITCH

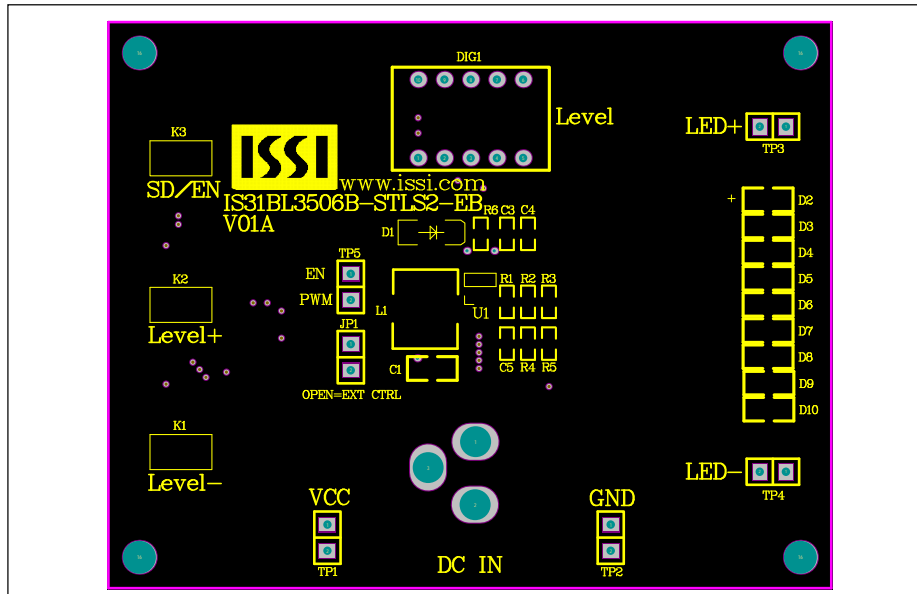


Figure 3: Board Component Placement Guide -Top Layer

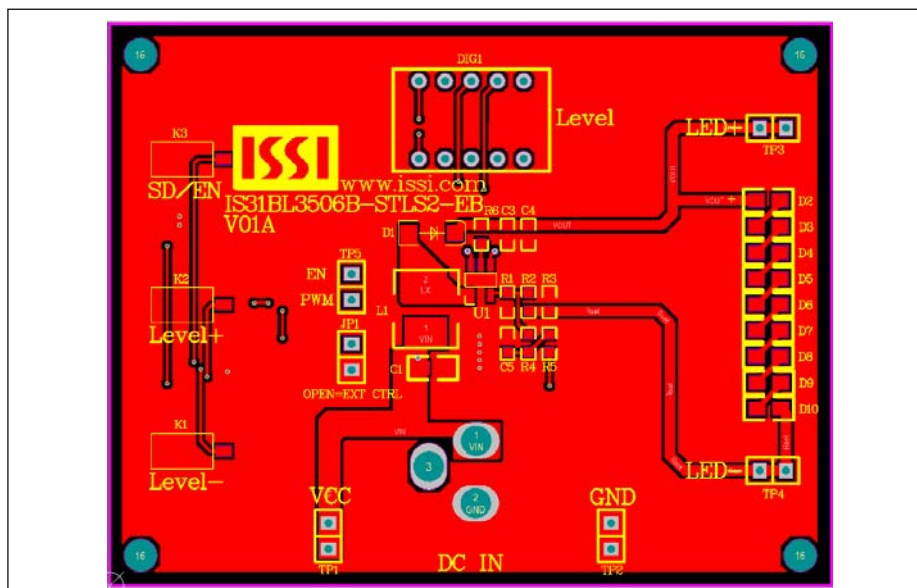


Figure 4: Board PCB Layout- Top Layer

IS31BL3506B 1.0MHZ BOOST CONVERTER WITH 35V INTERNAL MOSFET SWITCH

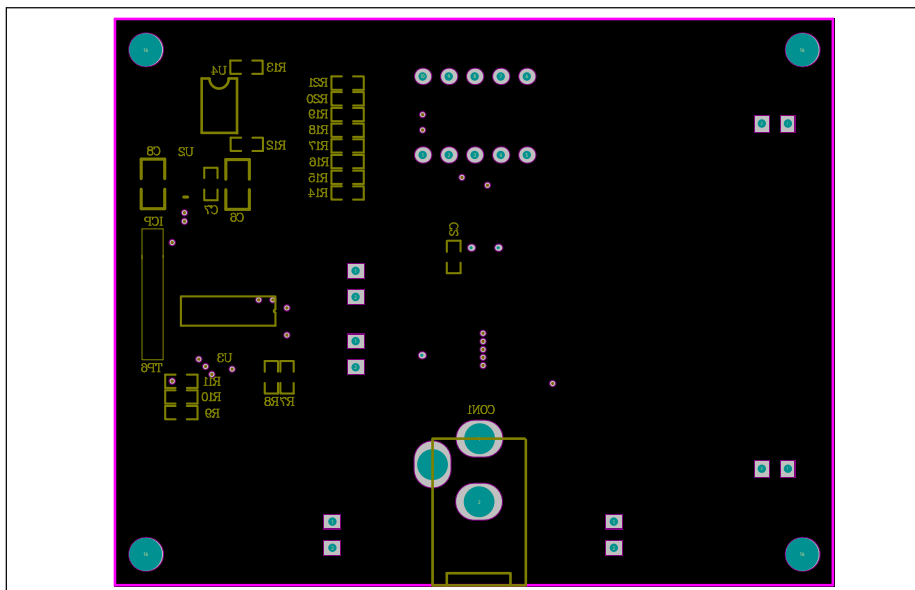


Figure 5: Board Component Placement Guide -Bottom Layer

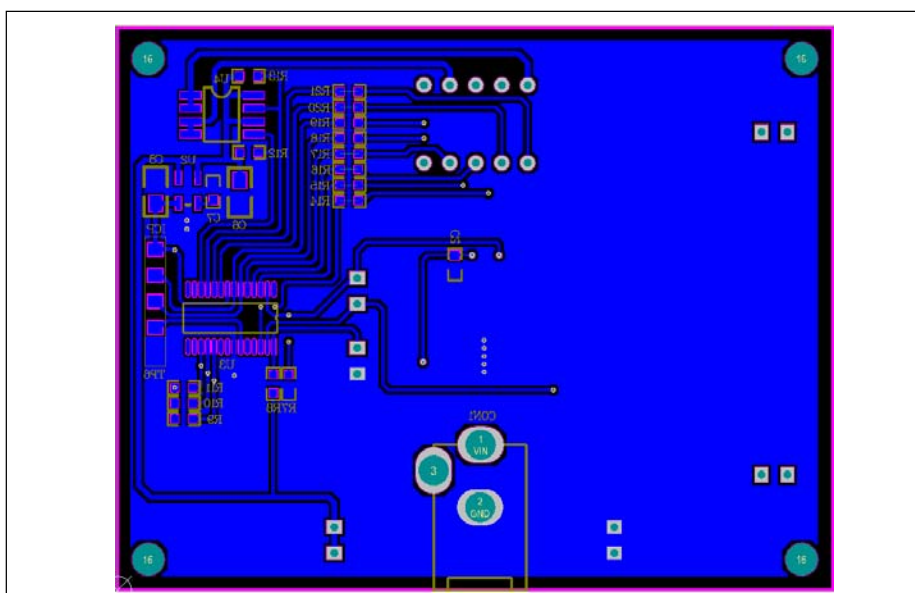


Figure 6: Board PCB Layout -Bottom Layer

Copyright © 2013 Integrated Silicon Solution, Inc. All rights reserved. ISSI reserves the right to make changes to this specification and its products at any time without notice. ISSI assumes no liability arising out of the application or use of any information, products or services described herein. Customers are advised to obtain the latest version of this device specification before relying on any published information and before placing orders for products.

Integrated Silicon Solution, Inc. does not recommend the use of any of its products in life support applications where the failure or malfunction of the product can reasonably be expected to cause failure of the life support system or to significantly affect its safety or effectiveness.

Products are not authorized for use in such applications unless Integrated Silicon Solution, Inc. receives written assurance to its satisfaction, that:

- a.) the risk of injury or damage has been minimized;
- b.) the user assume all such risks; and
- c.) potential liability of Integrated Silicon Solution, Inc is adequately protected under the circumstances

Данный компонент на территории Российской Федерации

Вы можете приобрести в компании MosChip.

Для оперативного оформления запроса Вам необходимо перейти по данной ссылке:

<http://moschip.ru/get-element>

Вы можете разместить у нас заказ для любого Вашего проекта, будь то серийное производство или разработка единичного прибора.

В нашем ассортименте представлены ведущие мировые производители активных и пассивных электронных компонентов.

Нашей специализацией является поставка электронной компонентной базы двойного назначения, продукции таких производителей как XILINX, Intel (ex.ALTERA), Vicor, Microchip, Texas Instruments, Analog Devices, Mini-Circuits, Amphenol, Glenair.

Сотрудничество с глобальными дистрибьюторами электронных компонентов, предоставляет возможность заказывать и получать с международных складов практически любой перечень компонентов в оптимальные для Вас сроки.

На всех этапах разработки и производства наши партнеры могут получить квалифицированную поддержку опытных инженеров.

Система менеджмента качества компании отвечает требованиям в соответствии с ГОСТ Р ИСО 9001, ГОСТ РВ 0015-002 и ЭС РД 009

Офис по работе с юридическими лицами:

105318, г.Москва, ул.Щербаковская д.3, офис 1107, 1118, ДЦ «Щербаковский»

Телефон: +7 495 668-12-70 (многоканальный)

Факс: +7 495 668-12-70 (доб.304)

E-mail: info@moschip.ru

Skype отдела продаж:

moschip.ru

moschip.ru_4

moschip.ru_6

moschip.ru_9