

# ECP-E3...

## Electronic circuit breaker



### CLIPLINE

Data sheet

103057\_en\_03

© PHOENIX CONTACT 2010-12-17

## 1 Description

The **ECP-E3...** electronic circuit breaker can be used in applications that cover all aspects of the switched-mode power supply unit.

In the event of an overload, switched-mode power supply units reduce their output voltage, which means that all the connected loads are no longer sufficiently supplied, e.g., in the event of a short circuit at the load.

The solution here is the ECP-E3... electronic circuit breaker, which selectively protects all 24 V DC load circuits. The ECP-E3... constantly limits the residual current to 1.8 times (or 1.5/1.3 times) the protected nominal current. Capacitive loads can thus be switched on and loads are only switched off in the event of an overload or short circuit.

In addition, the ECP-E3... can be reset by means of the reset input (12), for example, via a PLC, i.e., the ECP-E3... is electronically reset by means of a falling +24 V DC edge (at connection 12).

The floating auxiliary contacts of the ECP-E3... can be used to implement a group query from connection 13 to 14.

If a circuit breaker trips or is disabled, the signal to connection 14 is interrupted.

A multi-color LED and the integrated status output (12) indicate the operating or error state.

The ECP-E3... offers quick and space-saving assembly, as it can be plugged onto the TMCP SOCKET M and has a low design width of just 12.5 mm.

### 1.1 Properties

- Selective load protection, electronic shutdown characteristic curve
- Active current limitation when switching on capacitive loads up to 20,000  $\mu$ F and in the event of overload/short circuit
- Nominal current can be selected in fixed current strengths from 1 A ... 12 A
- Safe overload shutdown from  $1.1 \times I_N$ , even for long load cables or low cable cross-sections
- Manual on/off switch (S1)
- Clear indication by means of LED or signal contact F
- Electronic reset input RE
- Integrated failsafe element
- Design width of just 12.5 mm per channel
- Can be plugged into a modular base



**NOTE:** Make sure that the cable cross-section of the relevant load circuit is adapted to the nominal current of the ECP-E3... used.

In the system or machine, take special precautionary measures to prevent system parts from restarting (according to Machinery Directive 2006/42/EC and EN 60204-1). In the event of an error (short circuit/overload), the load circuit is electronically shut down by the ECP-E3....



**NOTE:** Make sure that the cable cross-section of the relevant load circuit is adapted to the nominal current of the ECP-E3... used.



Make sure you always use the latest documentation.  
It can be downloaded at [www.phoenixcontact.net/catalog](http://www.phoenixcontact.net/catalog).



This data sheet is valid for all products listed on the following page:

## 2 Ordering data

### Electronic circuit breaker

Description	Type	Order No.	Pcs./Pkt.
Electronic circuit breaker, version with reset input and group query, can be plugged into a TMCP base, indication by means of 3-color LED			
1 A nominal current	ECP-E3 1A	0912041	5
2 A nominal current	ECP-E3 2A	0912042	5
3 A nominal current	ECP-E3 3A	0912043	5
4 A nominal current	ECP-E3 4A	0912044	5
6 A nominal current	ECP-E3 6A	0912046	5
8 A nominal current	ECP-E3 8A	0912048	5
10 A nominal current	ECP-E3 10A	0912050	5
12 A nominal current	ECP-E3 12A	0912052	5

### Accessories

Description	Type	Order No.	Pcs./Pkt.
<b>Modular base</b> , 2-pos., designed to accommodate two 1-pos. circuit breakers, width of 12.5 mm per position	TMCP SOCKET M	0916589	10
<b>Base termination elements</b> , can be plugged into both the left and right-hand side, contain the connections for the reset inputs/group query	TMCP CONNECT LR	0916592	3
<b>Spring lock</b> , for mechanical locking if mounted overhead, 1-pos.	ECP-LOCK	0912021	10
<b>Zack marker strip</b> , 10-section, for labeling the center of the terminal block	ZB 6	See CLIPLINE catalog	
<b>Fixed bridge</b> , plug-in, not insulated, 500 mm long, can be cut to length, for distribution of the supply potential in the base, $I_{max} = 50 A$	FBST 500 TMCP	0916615	20
<b>Continuous plug-in bridge</b> , 500 m long, can be cut to length, for potential distribution, $I_{max} = 32 A$ , red	FBST 500-PLC RD	2966786	20
<b>Continuous plug-in bridge</b> , 500 m long, can be cut to length, for potential distribution, $I_{max} = 32 A$ , blue	FBST 500-PLC BU	2966692	20
<b>Signal bridge</b> , plug-in, for bridging group indication when there is a free slot on the TMCP SOCKET M base, $I_{max} = 1 A$	TCMP SB	0916602	6

### 3 Technical data

Operating data	
Nominal voltage	24 V DC
DC supply voltage	18 V DC ... 32 V DC
Nominal current $I_N$	Depending on the selected item version: 1 A, 2 A, 3 A, 4 A, 6 A, 8 A, 10 A, 12 A
Closed circuit current $I_0$	In the ON state: 20 mA ... 30 mA, typical (depending on the signal output)
Tripping current (bimetal)	0.3 A, typical (only in the event of an error, until electrically shut down)
Indication of the operating state	<ul style="list-style-type: none"> <li>– Multi-color LED</li> <li>– Floating signal contact F</li> <li>– On/off position of switch S1</li> </ul>
Multi-color LED	<p><b>Green</b> = Device switched on (S1 = ON) or load circuit/Power MOSFET controlled</p> <p><b>Orange</b> = Overload or short circuit until electronically shut down</p> <p><b>Red</b> = Device electronically shut down, load circuit/Power MOSFET switched off, undervoltage (<math>U_B &lt; 8\text{ V}</math>) or after switch-on until the end of the switch-on delay time</p> <p><b>OFF</b>: Manually switched off (S1 = OFF) or device power supply disconnected</p>
Protection against polarity reversal of $U_B$	Internal bimetal (failsafe element) triggered, pushbutton moves to OFF position
Auxiliary contacts	Pin 11 (GND) Pin 12 (individual indication) Pin 13/14 (group query)
Switching capacity $I_{CN}$	Active current limitation of 180%
Load circuit	
Load output	Power MOSFET output (positive switching)
Overload shutdown	$1.1 \times I_N$ (1.05 ... 1.35 $\times I_N$ ), typical
Short circuit current $I_K$	Active current limitation; $1.8 \times I_N$ , maximum (see "Time-current characteristic" on page 6)
Shutdown time	3 s at $I_L > 1.1 \times I_N$ , typical 100 ms ... 3 s at $I_L > 1.8 \times I_N$ (or $1.5 \times I_N/1.3 \times I_N$ ), typical See "Voltage drop, current limitation, maximum load current" on page 4
$R_i$ when plugged in	$\approx 50\text{ m}\Omega$
Temperature shutdown	Internal temperature monitoring with electronic shutdown
Undervoltage monitoring of load output	With hysteresis, no reset required: OFF at $U_B < 8\text{ V}$
Switch-on delay $t_{Start}$	0.5 s, typical after each switch-on and after applying $U_B$
Load circuit shutdown	Electronic shutdown after overload/short circuit
Free running circuit	External free-wheeling diode recommended on inductive load
Parallel connection of multiple load outputs	Not permitted
Alarm output F, signal contact	
Electrical data	Floating signal contact 30 V DC/0.5 A, maximum; 10 V/10 mA, minimum
Normal state, LED lights up green	$U_B$ present and switch S1 set to ON and no overload, no short circuit
OFF state, LED OFF	<ul style="list-style-type: none"> <li>– Device switched off (switch S1 set to OFF)</li> <li>– Operating voltage <math>U_B</math> not present</li> </ul>
Error state, LED lights up orange	Overload condition $> 1.1 \times I_N$ until electronically shut down
Error state, LED lights up red	<ul style="list-style-type: none"> <li>– Electronic shutdown after overload or short circuit</li> <li>– Device switched off with control signal (switch S1 set to ON)</li> <li>– Group signal, N/O contact, contact SC-SO open</li> </ul>
Error pattern	Alarm output F (signal contact) is in the error state if: <ul style="list-style-type: none"> <li>– Operating voltage <math>U_B</math> is not present</li> <li>– ON/OFF switch S1 is set to OFF</li> <li>– The LED lights up red (electronic shutdown)</li> </ul>

**Reset input**

## Electrical data

Maximum voltage +32 V DC  
 High > 8 V DC ≤ 32 V DC  
 Low ≤ 3 V DC > 0 V DC  
 Current consumption 2.6 mA, typical (+24 V DC)  
 Minimum pulse length 10 ms

## Reset signal RE (pin 12 of base)




**WARNING:** Always fill empty slots with the signal bridge.

This reset signal is supplied in pin 12 of the base and is internally prewired.  
 With the ECP-E3..., only the affected device is reset. By connecting the individual terminal blocks (12) of the TMCP SOCKET M base, a common reset signal can be generated for all ECP-E3... devices.

**General data**

Width x length x height	12.5 mm x 60 mm x 70 mm
Weight	40 g
Service life at 1 x I <sub>N</sub>	10,000
Ambient temperature	0°C ... +50°C (no condensation, see EN 60204-1)
Storage temperature	-20°C ... +70°C
Insulation material	PA-F
Inflammability class according to UL 94	V0
Backup fuse	Not required, since a redundant failsafe element is integrated. If the failsafe element has been triggered, the pushbutton is in the OFF position.
Housing fixing	Can be plugged into TMCP SOCKET M modular base
Slip-on connections	6.3 mm according to DIN 46244-A6.3-0.8
Humid heat	96 h/95% relative humidity/40°C according to IEC 60068-2-78, Test Cab climatic class 3K3 according to EN 60721
Degree of protection	Housing: IP30, DIN 40050 Terminal blocks: IP00, DIN 40050

**Tests/approvals**

Conformance with EMC Directive 2004/108/EC	Noise emission: EN 61000-6-3 Noise immunity: EN 61000-6-2
Isolation coordination (IEC 60934)	0.5 kV/pollution degree 2, increased isolation in the actuation area
Dielectric strength	32 V DC, maximum (load circuit)
Insulation resistance (OFF state)	None, electronic shutdown only
Vibration resistance	3g, test according to IEC 60068-2-6 Test Fc
Approvals	 UL 2367, File E317172 Solid State Overcurrent Protectors CE

**Voltage drop, current limitation, maximum load current**

Nominal current I <sub>N</sub>	Typical voltage drop U <sub>ON</sub> at I <sub>N</sub>	Active current limitation (typical)	Maximum load current at 100% operating factor, T <sub>A</sub> = 40°C	Maximum load current at 100% operating factor, T <sub>A</sub> = 50°C
1 A	80 mV	1.8 x I <sub>N</sub>	1 A	1 A
2 A	130 mV	1.8 x I <sub>N</sub>	2 A	2 A
3 A	80 mV	1.8 x I <sub>N</sub>	3 A	3 A
4 A	100 mV	1.8 x I <sub>N</sub>	4 A	4 A
6 A	130 mV	1.8 x I <sub>N</sub>	6 A	5 A
8 A	120 mV	1.5 x I <sub>N</sub>	8 A	7 A
10 A	150 mV	1.5 x I <sub>N</sub>	10 A	9 A
12 A	180 mV	1.3 x I <sub>N</sub>	12 A	10.8 A

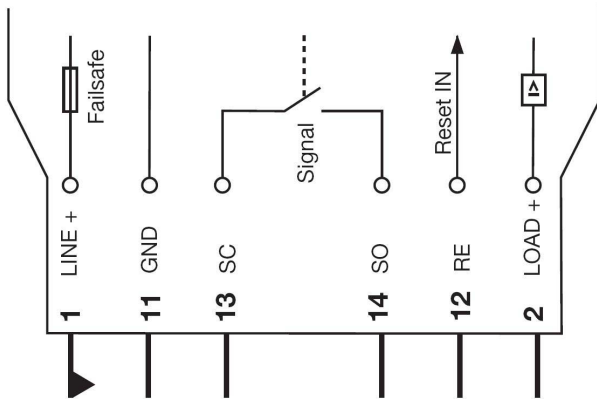


When mounted in rows without convection cooling, due to the thermal effect during continuous operation (100% operating factor) the nominal device current must only be led to a maximum of 80%.

### 3.1 Connection diagram



The signal contacts are shown in the OFF or error state.



With reset input RE (+24 V DC)  
 With alarm output F (group signal, N/O contact)  
 Normal state: SC-SO closed  
 Error state: SC-SO open

### 3.3 Dimensions



Figure 2 Dimensions (in mm)

### 3.2 Block diagram (example ECP-E ...)

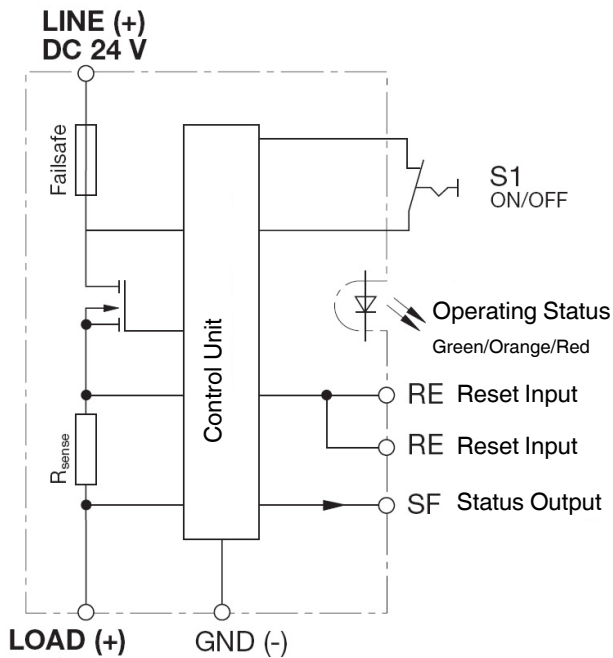


Figure 1 Block diagram (example ECP-E ...)

### 3.4 Time-current characteristic ( $T_A = 25^\circ\text{C}$ )



Figure 3 Time-current characteristic

- In the  $1.1 \dots 1.8 \times I_N^*$  range, the typical shutdown time is 3 s.
  - The electronic current limitation is typically activated from  $1.8 \times I_N^*$ .  
This means that under all overload conditions (regardless of the current supply and load circuit resistance),  $1.8$  times the nominal current\* typically flows until shutdown. The shutdown time ranges from 100 ms to 3 s depending on the multiple of the nominal current or in the event of short circuit ( $I_K$ ).
  - Without the current limitation typically activated at  $1.8 \times I_N^*$ , a significantly higher overcurrent would flow in the event of an overload or short circuit.
- \* Typical current limitation  $1.8 \times I_N$  at  $I_N = 1 \text{ A} \dots 6 \text{ A}$   
 Typical current limitation  $1.5 \times I_N$  at  $I_N = 8 \text{ A}$  or  $10 \text{ A}$   
 Typical current limitation  $1.3 \times I_N$  at  $I_N = 12 \text{ A}$

### 3.5 Safe shutdown

Safe shutdown of the ECP-E3... for various supply line lengths and cable cross-sections								
Specific electrical resistance of electrolytic copper $\rho_0 = 0.0178 \text{ } (\Omega \times \text{mm}^2)/\text{m}$								
$U_B = 19.2 \text{ V DC}$ (80% of 24 V DC)			The voltage drop at the ECP-E3... and the tolerance of the shutdown point (typically $1.1 \times I_N = 1.05 \dots 1.35 \times I_N$ ) have already been taken into consideration.					
ECP-E3... nominal current setting $I_N$ (in A) →			<b>3 A</b>		<b>6 A</b>		→ ECP-E3... shuts down after typically 3 s ... 5 s	
E.g., Shutdown current $I_{\text{off}} = 1.25 \text{ A} \times I_N$ (in A) →			3.75 A		7.5 A			
$R_{\text{max}}$ in Ohm = $(U_B/I_{\text{off}}) - 0.050 \text{ } \Omega^1$ →			5.07 $\Omega$		2.51 $\Omega$			
ECP-E3... safely trips from 0 $\Omega$ up to maximum circuit resistance $R_{\text{max}}$								
Cable cross-section <b>A</b> in $\text{mm}^2$ →		0.14 $\text{mm}^2$	0.25 $\text{mm}^2$	0.34 $\text{mm}^2$	0.5 $\text{mm}^2$	0.75 $\text{mm}^2$	1 $\text{mm}^2$	1.5 $\text{mm}^2$
Distance <b>L</b> in meters (= single length) ↓		Total cable resistance in Ohm = $(R_0 \times 2 \times L)/A$						
		↓	↓	↓	↓	↓	↓	↓
5 m		1.27 $\Omega$	0.71 $\Omega$	0.52 $\Omega$	0.36 $\Omega$	0.24 $\Omega$	0.18 $\Omega$	0.12 $\Omega$
10 m		2.54 $\Omega$	1.42 $\Omega$	1.05 $\Omega$	0.71 $\Omega$	0.47 $\Omega$	0.36 $\Omega$	0.24 $\Omega$
15 m		3.81 $\Omega$	2.14 $\Omega$	1.57 $\Omega$	1.07 $\Omega$	0.71 $\Omega$	0.53 $\Omega$	0.36 $\Omega$
20 m		5.09 $\Omega$	2.85 $\Omega$	2.09 $\Omega$	1.42 $\Omega$	0.95 $\Omega$	0.71 $\Omega$	0.47 $\Omega$
25 m		6.36 $\Omega$	3.56 $\Omega$	2.62 $\Omega$	1.78 $\Omega$	1.19 $\Omega$	0.89 $\Omega$	0.59 $\Omega$
30 m		7.63 $\Omega$	4.27 $\Omega$	3.14 $\Omega$	2.14 $\Omega$	1.42 $\Omega$	1.07 $\Omega$	0.71 $\Omega$
35 m		8.90 $\Omega$	4.98 $\Omega$	3.66 $\Omega$	2.49 $\Omega$	1.66 $\Omega$	1.25 $\Omega$	0.83 $\Omega$
40 m		10.17 $\Omega$	5.70 $\Omega$	4.19 $\Omega$	2.85 $\Omega$	1.90 $\Omega$	1.42 $\Omega$	0.95 $\Omega$
45 m		11.44 $\Omega$	6.41 $\Omega$	4.71 $\Omega$	3.20 $\Omega$	2.14 $\Omega$	1.60 $\Omega$	1.07 $\Omega$
50 m		12.71 $\Omega$	7.12 $\Omega$	5.24 $\Omega$	3.56 $\Omega$	2.37 $\Omega$	1.78 $\Omega$	1.19 $\Omega$
75 m		19.07 $\Omega$	10.68 $\Omega$	7.85 $\Omega$	5.34 $\Omega$	3.56 $\Omega$	2.67 $\Omega$	1.78 $\Omega$
100 m		25.34 $\Omega$	14.24 $\Omega$	10.47 $\Omega$	7.12 $\Omega$	4.75 $\Omega$	3.56 $\Omega$	2.37 $\Omega$
125 m		31.79 $\Omega$	17.80 $\Omega$	13.09 $\Omega$	8.90 $\Omega$	5.93 $\Omega$	4.45 $\Omega$	2.97 $\Omega$
150 m		38.14 $\Omega$	21.36 $\Omega$	15.71 $\Omega$	10.68 $\Omega$	7.12 $\Omega$	5.34 $\Omega$	3.56 $\Omega$
175 m		44.50 $\Omega$	24.92 $\Omega$	18.32 $\Omega$	12.46 $\Omega$	8.31 $\Omega$	6.23 $\Omega$	4.15 $\Omega$
200 m		50.86 $\Omega$	28.48 $\Omega$	20.94 $\Omega$	14.24 $\Omega$	9.49 $\Omega$	7.12 $\Omega$	4.75 $\Omega$
225 m		57.21 $\Omega$	32.04 $\Omega$	23.56 $\Omega$	16.02 $\Omega$	10.68 $\Omega$	8.01 $\Omega$	5.34 $\Omega$
250 m		63.57 $\Omega$	35.60 $\Omega$	26.18 $\Omega$	17.80 $\Omega$	11.87 $\Omega$	8.90 $\Omega$	5.93 $\Omega$
Example 1: Maximum permissible distance for 1.5 $\text{mm}^2$ and 3 A → <b>Approximately 200 m<sup>2</sup></b>								
Example 2: Maximum permissible distance for 1.5 $\text{mm}^2$ and 6 A → <b>Approximately 100 m</b>								
Example 3: Mixed wiring: (Control cabinet --- sensor/actuator level)								
					R1 = 40 m in 1.5 $\text{mm}^2$ and R2 = 5 m in 0.25 $\text{mm}^2$			
					R1 = 0.95 Ohm, R2 = 0.71 Ohm			
					<b>Total (R1 + R2) = 1.66 Ohm</b>			

<sup>1</sup> Internal resistance of miniature circuit breakers

<sup>2</sup> Shutdown current  $I_{\text{off}} = 3 \text{ A} \times 1.25 \text{ A} = 3.75 \text{ A}$   
 Maximum circuit resistance  $R_{\text{max}} = U_B/I_{\text{off}} - 0.050 \text{ } \Omega$  (internal resistance of miniature circuit breakers)  
 $R_{\text{max}} = (19.2 \text{ V}/3.75 \text{ A}) - 0.050 \text{ } \Omega = 5.07 \text{ } \Omega$   
 In the table, the calculated value of 5.07  $\Omega$  lies between 200 m and 225 m (4.75  $\Omega$  and 5.34  $\Omega$ ).  
 Therefore a distance of around 200 m can be covered.

## 4 Mounting on a modular base

The TMCP SOCKET M base is snapped onto a DIN rail and can accommodate two ECP-E3... devices.

The two-channel bases are modular, which means that larger distribution systems can be created. A connection element is inserted at both the start and end of the system.

Current distribution on the individual channels with a common supply (positive pole) is achieved by inserting a power rail in the slot provided on the connection side of the modules.

All electrical connections are established using spring-cage terminal blocks. The reference potential for the ECP-E3... (GND pin 11) is also looped through and led to the side connection elements.

By connecting together the individual bases, all the internal wiring is established for the ground potential and group error message.

The ECP-E3... has an integrated signal contact (PDT). The SC-S0 contact is used for the group error message. The contacts for this indication are already connected in series in the bases and are connected to the side connection elements via two connections (13, 14).

In each base, the series circuit can be contacted using a test socket and any interruptions can thus be determined.

### 4.1 Technical data

#### TMCP SOCKET M

Test contact for testing group indication on a cable interrupt	$\varnothing = 2 \text{ mm}$
Nominal voltage (without ECP-E3...)	433 V AC; 65 V DC
Nominal current (without ECP-E3...)	
LINE supply (1)	50 A
LOAD output (2)	25 A
Reference potential GND (11)	10 A
Individual indication (12)	1.0 A (with ECP-E3...: 0.5 A)
Group indication (13-14)	1.0 A (with ECP-E3...: 0.5 A)
Internal resistance (without ECP-E3...)	
LINE-LOAD (1-2)	5 m $\Omega$
Indication (13-14) for each module	8 m $\Omega$ /each position plus each additional aligned module: +5 m $\Omega$
Supply rail for current distribution	Uninsulated power rail $I_{\text{max}}$ 50 A (the uninsulated power rail is inserted fully and is therefore safe to touch)
Dielectric strength of base (without ECP-E3...)	
Between main circuits (without power rail)	1500 V
Main circuit to signal circuit	1500 V
Signal circuit to signal circuit	1500 V
Weight	
Central part	85 g, approximately
Connection elements (pair)	30 g, approximately
Approval	Meets standard UL 60950

### 4.2 Dimensions with base

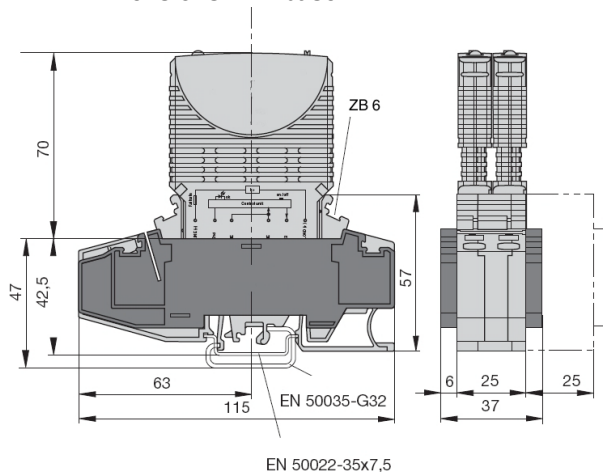


Figure 4 Dimensions in mm



### 4.3 Assembly



Figure 5 Assembly



**WARNING:** Always fill empty slots with the TMCP SB signal bridge.

To assemble, proceed as follows:

- Snap TMCP SOCKET M base onto an NS 35 DIN rail according to EN 60751.
- Push bases together.
- Snap on TMCP CONNECT LR base termination elements to the left and right-hand side.
- Cut FBST 500... power rail to length as required and insert in bases.
- Insert connecting cables in the spring-cage terminal blocks (see "Connecting spring-cage terminal blocks" on page 9 and "Pin assignment on base" on page 9).
- Insert ECP-E3....
- If necessary, secure the ECP-E3... and base using a clamp (see "Locking the base and ECP-E3..." on page 10).

### 4.4 Connecting spring-cage terminal blocks

Spring-cage terminal blocks for solid wires and stranded cables with and without ferrules.

Use the specified screwdriver size (SD) to release the spring cage.

Connection	Spring-cage terminal blocks for	Screwdriver size (SD)
LINE supply (1)	1.5 ... 10 mm <sup>2</sup>	SD 2 (0.8 x 4.0 mm)
LOAD output (2)	0.25 ... 4 mm <sup>2</sup>	SD 1 (0.6 x 3.5 mm)
Reference potential GND or group indication connections (11 or 13, 14)	0.25 ... 2.5 mm <sup>2</sup>	SD 1 (0.6 x 3.5 mm)
Individual indication connection (12)	0.25 ... 1.5 mm <sup>2</sup>	SD 0 (0.4 x 2.5 mm)

### 4.5 Pin assignment on base

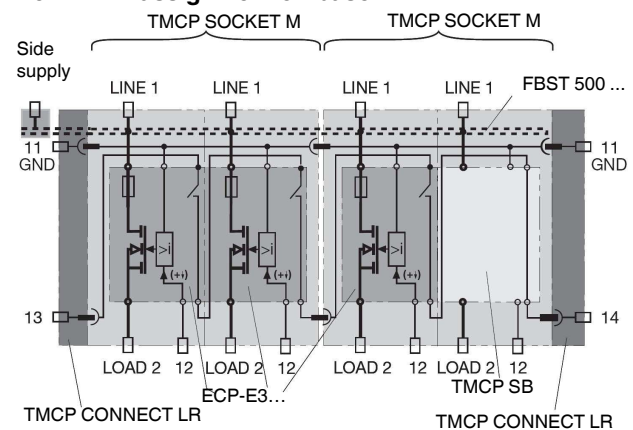


Figure 6 Connection diagram

#### PIN Assignment

11	GND	
12	Reset input RE (group reset)	+24 V falling edge
13, 14	Group indication connection (N/O contact)	



**WARNING:** Always fill empty slots with the TMCP SB signal bridge.

Terminal	Assignment	TMCP SOCKET M
[2(k)]	LINE (+)	[2(k)]
[12]	GND	[12]
[24]	Group SF, N/O contact	[24]
[2(i)]	Not used	[2(i)]
[23]	Group SF, N/O contact	[23]
[11]	Reset IN+, +24 V	[11]
[1]	LOAD (+)	[1]

Figure 7 Pin assignment

#### 4.6 Locking the base and ECP-E3...

If mounted overhead, the ECP-E3... must be connected to the base using the ECP-LOCK clamp.

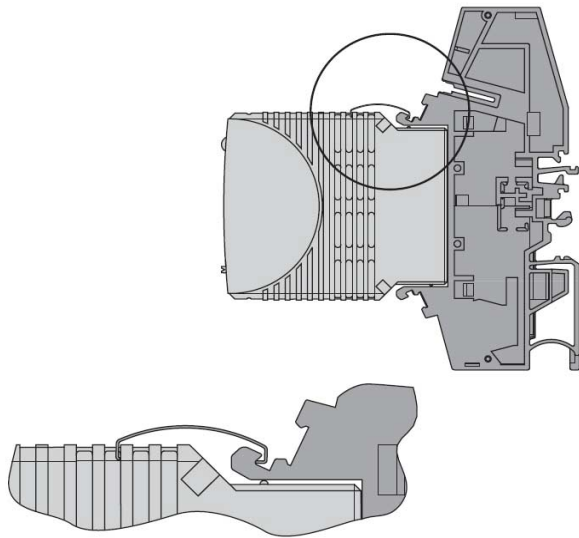


Figure 8 Mounting the ECP-LOCK



Figure 9 Removing the ECP-LOCK

## Данный компонент на территории Российской Федерации

### Вы можете приобрести в компании MosChip.

Для оперативного оформления запроса Вам необходимо перейти по данной ссылке:

<http://moschip.ru/get-element>

Вы можете разместить у нас заказ для любого Вашего проекта, будь то серийное производство или разработка единичного прибора.

В нашем ассортименте представлены ведущие мировые производители активных и пассивных электронных компонентов.

Нашей специализацией является поставка электронной компонентной базы двойного назначения, продукции таких производителей как XILINX, Intel (ex.ALTERA), Vicor, Microchip, Texas Instruments, Analog Devices, Mini-Circuits, Amphenol, Glenair.

Сотрудничество с глобальными дистрибьюторами электронных компонентов, предоставляет возможность заказывать и получать с международных складов практически любой перечень компонентов в оптимальные для Вас сроки.

На всех этапах разработки и производства наши партнеры могут получить квалифицированную поддержку опытных инженеров.

Система менеджмента качества компании отвечает требованиям в соответствии с ГОСТ Р ИСО 9001, ГОСТ РВ 0015-002 и ЭС РД 009

### Офис по работе с юридическими лицами:

105318, г.Москва, ул.Щербаковская д.3, офис 1107, 1118, ДЦ «Щербаковский»

Телефон: +7 495 668-12-70 (многоканальный)

Факс: +7 495 668-12-70 (доб.304)

E-mail: [info@moschip.ru](mailto:info@moschip.ru)

Skype отдела продаж:

moschip.ru

moschip.ru\_4

moschip.ru\_6

moschip.ru\_9