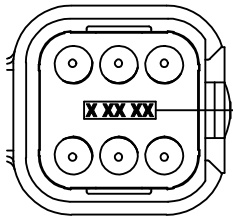
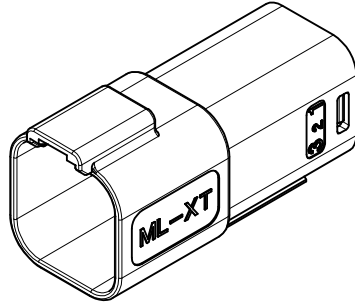
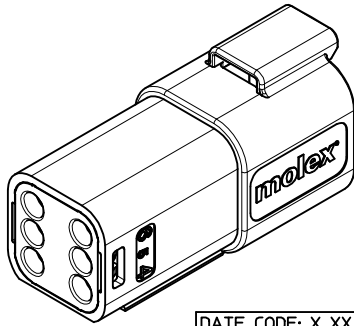


NOTES

- 1. SEE SHEETS 2 TO 7 FOR UNSPECIFIED NOTES, DIMENSIONS AND PART NUMBERS

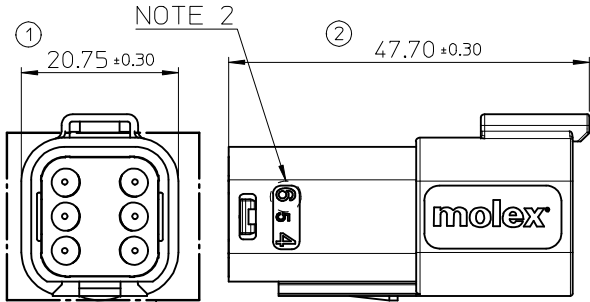
PROPOSED EC NO: IPG2015-1746 DRWN: JFLETCHER 2015/04/07 CHKD: APPR: JWALLACE 2015/07/16 REV DESCRIPTION	QUALITY SYMBOLS	GENERAL TOLERANCES (UNLESS SPECIFIED)		DIMENSION STYLE	SCALE	DESIGN UNITS	THIRD ANGLE PROJECTION	
	$\nabla=0$ $\nabla=0$	mm	INCH	MM ONLY	1.5:1	METRIC		
		4 PLACES	± ---	± ---	DRAWN BY	DATE	TITLE	6CCT ML-XT CV CONNECTOR
		3 PLACES	± ---	± ---	JFLETCHER	2014/04/23		
	2 PLACES	± 0.10	± ---	CHECKED BY	DATE			
	1 PLACE	± 0.20	± ---	APPROVED BY	DATE			
	0 PLACE	± ---	± ---	JWALLACE	2014/10/01			
		ANGULAR ± 2 °		MATERIAL NO.	DOCUMENT NO.			
		DRAFT WHERE APPLICABLE MUST REMAIN WITHIN DIMENSIONS		SEE NOTES	SD-93443-004		SHEET NO.	
				SIZE	THIS DRAWING CONTAINS INFORMATION THAT IS PROPRIETARY TO MOLEX INCORPORATED AND SHOULD NOT BE USED WITHOUT WRITTEN PERMISSION		1 OF 7	
				A3				

6CCT RECEPTACLE CONNECTOR



DETAIL 1
(ROTATED 90°)

DATE CODE: X XX XX
 X — DAY: 1 - 7
 X — WEEK: 01 - 52
 X — YEAR: 00 - 99
 X —
 EXAMPLE: 11315 = DAY 1 OF WEEK 13 OF YEAR 15
 i.e. 23rd OF MARCH 2015



DETAIL 1

- NOTES
- MATERIAL
HOUSING: NYLON 30%GF
SEAL: HIGH CONSISTENCY RUBBER
 - CIRCUIT IDENTIFICATION
 - JACKET RANGE LARGE = $\varnothing 2.7\text{MM}$ TO 3.6MM (SEAL COLOUR: LIGHT BLUE)
JACKET RANGE SMALL = $\varnothing 1.4\text{MM}$ TO 2.7MM (SEAL COLOUR: BURNT ORANGE)
 - SEE SHEET 3 FOR FINAL PART NUMBER DESIGNATION
 - SEE PS-93443-001 FOR PRODUCT SPECIFICATION
 - SEE PK-93443-001 FOR PACKAGING SPECIFICATION
- LAST INSPECTION NUMBER: 5
 INSPECTION NUMBERS 1-50 RESERVED FOR SHEET 2

SEE SHEET 1
 EC NO: IPG2015-1746
 DRWN: JFLETCHER 2015/04/07
 CHKD:
 APPR: JWALLACE 2015/07/16

QUALITY SYMBOLS
 $\nabla = 0$
 $\triangle = 0$

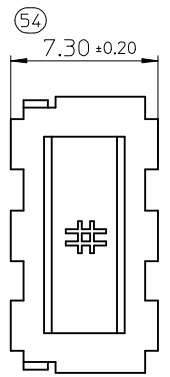
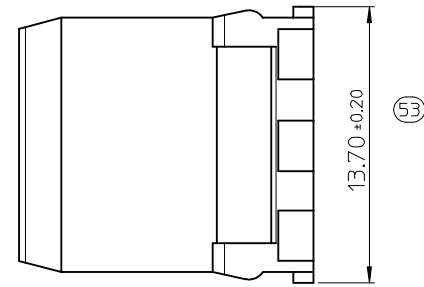
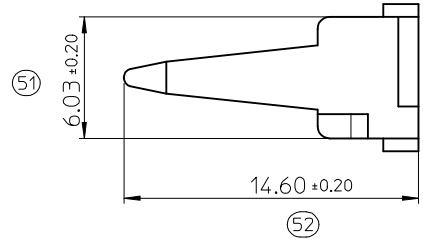
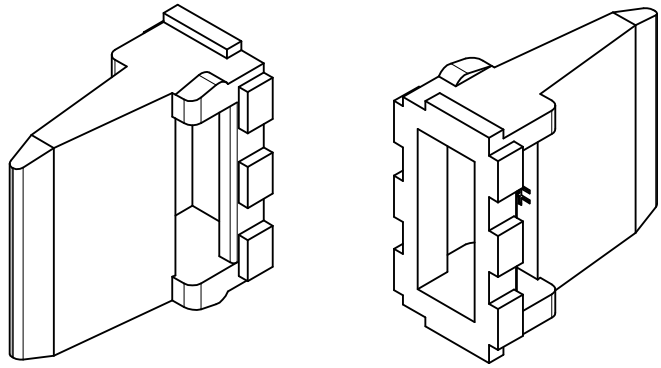
GENERAL TOLERANCES (UNLESS SPECIFIED)	
	mm
4 PLACES	± 0.10
3 PLACES	± 0.15
2 PLACES	± 0.20
1 PLACE	± 0.30
0 PLACE	± 0.40

ANGULAR $\pm 2^\circ$
 DRAFT WHERE APPLICABLE
 MUST REMAIN WITHIN DIMENSIONS

DIMENSION STYLE	
MM ONLY	
DRAWN BY	DATE
JFLETCHER	2014/04/23
CHECKED BY	DATE
APPROVED BY	DATE
JWALLACE	2014/10/01
MATERIAL NO.	

SCALE	DESIGN UNITS	THIRD ANGLE PROJECTION
1.5:1	METRIC	
TITLE		
6CCT ML-XT CV CONNECTOR		
DOCUMENT NO.		SHEET NO.
SD-93443-004		2 OF 7
THIS DRAWING CONTAINS INFORMATION THAT IS PROPRIETARY TO MOLEX INCORPORATED AND SHOULD NOT BE USED WITHOUT WRITTEN PERMISSION		





6CCT RECEPTACLE WEDGELOCK

SERIES NO. 93447 4 0 --

CIRCUIT SIZE
4 = 6cct

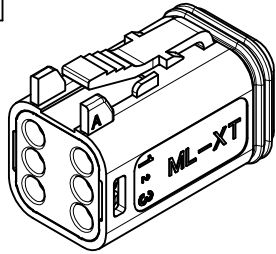
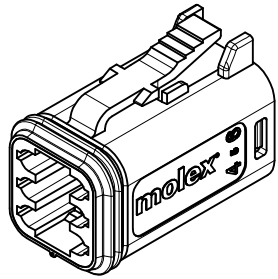
COLOUR/CODING
03=GREEN

NOTES

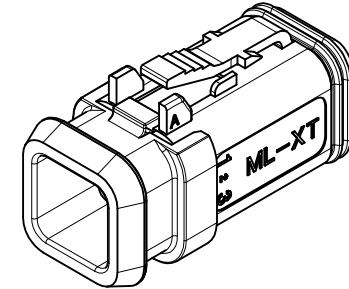
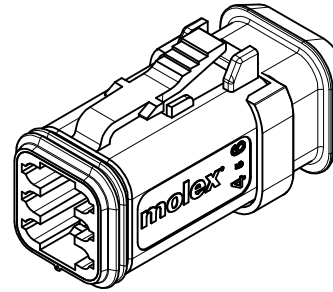
1. MATERIAL
HOUSING: NYLON 30% GF
2. INSPECTION NUMBERS 51-100
RESERVED FOR SHEET 4
LAST INSPECTION NUMBER 54

SEE SHEET 1 EC NO: IPG2015-1746 DRWN: JFLETCHER 2015/04/07 CHKD: APPR: JWALLACE 2015/07/16	QUALITY SYMBOLS	GENERAL TOLERANCES (UNLESS SPECIFIED)	DIMENSION STYLE	SCALE	DESIGN UNITS	THIRD ANGLE PROJECTION
	▼=0 ◻=0	mm INCH 4 PLACES ± --- ± --- 3 PLACES ± --- ± --- 2 PLACES ± 0.10 ± --- 1 PLACE ± 0.20 ± --- 0 PLACE ± --- ± ---	MM ONLY	2:1	METRIC	
	DESCRIPTION	ANGULAR ± 2 °	DRAWN BY DATE	TITLE		
	REV	DRAFT WHERE APPLICABLE MUST REMAIN WITHIN DIMENSIONS	JFLETCHER 2014/04/23	6CCT ML-XT CV CONNECTOR		
		APPROVED BY DATE	DOCUMENT NO.			
		JWALLACE 2014/10/01	SD-93443-004			
		MATERIAL NO.	SHEET NO.			
		SEE NOTES	4 OF 7			
		SIZE A3	THIS DRAWING CONTAINS INFORMATION THAT IS PROPRIETARY TO MOLEX INCORPORATED AND SHOULD NOT BE USED WITHOUT WRITTEN PERMISSION			

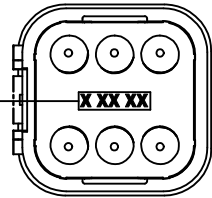
6CCT PLUG CONNECTOR



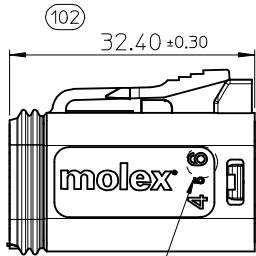
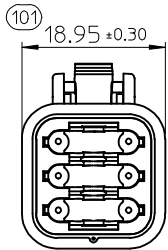
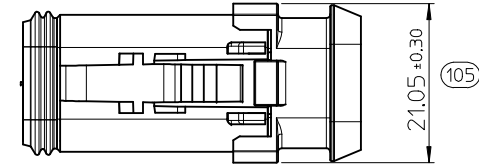
6CCT PLUG CONNECTOR WITH HEATSHRINK HOUSING ULTRASONICALLY WELDED IN PLACE



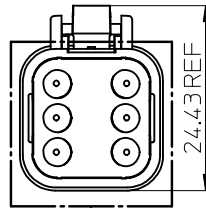
DATE CODE: X XX XX
 X — DAY: 1 - 7
 X — WEEK: 01 - 52
 X — YEAR: 00 - 99
 EXAMPLE: 11315 = DAY 1 OF WEEK 13 OF YEAR 15
 i.e. 23rd OF MARCH 2015



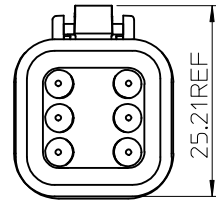
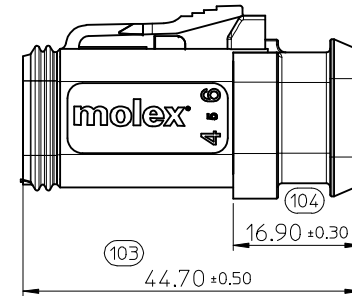
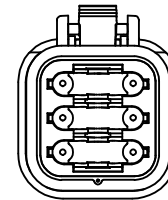
DETAIL 2
(ROTATED 90°)



NOTE 2



DETAIL 2



NOTES

- MATERIAL:
 HOUSING: NYLON 30% GF
 PLUG SEAL: SILICONE RUBBER
 BACK SEAL: HIGH CONSISTENCY RUBBER
- CIRCUIT IDENTIFICATION
- JACKET RANGE LARGE = Ø2.7MM TO 3.6MM (SEAL COLOUR: LIGHT BLUE)
 JACKET RANGE SMALL = Ø1.4MM TO 2.7MM (SEAL COLOUR: BURNT ORANGE)
- SEE SHEET 6 FOR FINAL PART NUMBER DESIGNATION
- INSPECTION NUMBERS 101-150 RESERVED FOR SHEET 5
 LAST INSPECTION NUMBER 105

SEE SHEET 1	DESCRIPTION
EC NO: IPG2015-1746	
DRWN: JFLETCHER	2015/04/07
CHKD:	
APPR: JWALLACE	2015/07/16
REV	

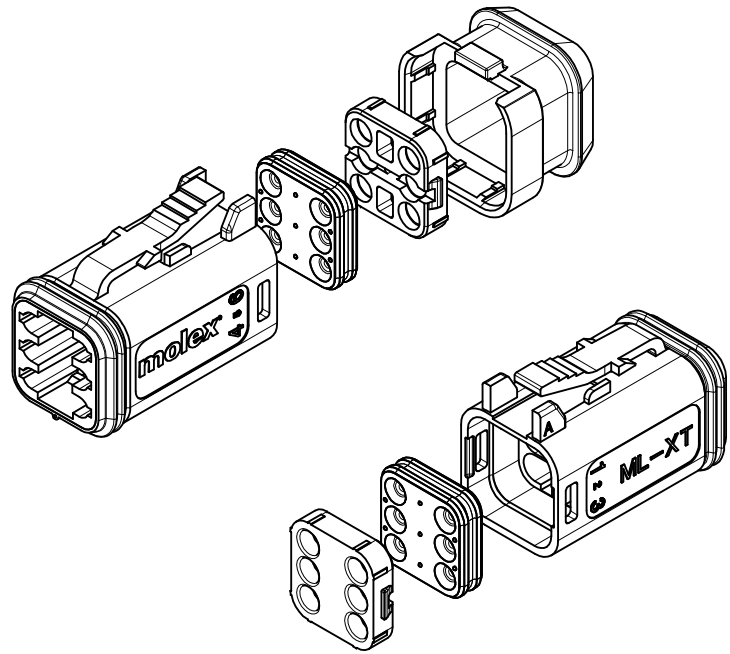
QUALITY SYMBOLS
▽=0
◻=0

GENERAL TOLERANCES (UNLESS SPECIFIED)	mm	INCH
4 PLACES	± ---	± ---
3 PLACES	± ---	± ---
2 PLACES	± 0.10	± ---
1 PLACE	± 0.20	± ---
0 PLACE	± ---	± ---
ANGULAR ± 2 °		
DRAFT WHERE APPLICABLE MUST REMAIN WITHIN DIMENSIONS		

DIMENSION STYLE	MM ONLY
DRAWN BY	JFLETCHER
DATE	2014/04/23
CHECKED BY	
DATE	
APPROVED BY	JWALLACE
DATE	2014/10/01
MATERIAL NO.	

SCALE	1.5:1
DESIGN UNITS	METRIC
THIRD ANGLE PROJECTION	
TITLE	6CCT ML-XT CV CONNECTOR
molex	
DOCUMENT NO.	SD-93443-004
SHEET NO.	5 OF 7
THIS DRAWING CONTAINS INFORMATION THAT IS PROPRIETARY TO MOLEX INCORPORATED AND SHOULD NOT BE USED WITHOUT WRITTEN PERMISSION	

6CCT PLUG CONNECTOR



93445

4

-

--

SERIES NO.

CIRCUIT SIZE
4 = 6cct

ASSEMBLY OPTIONS

- 1 = PLUG ASSEMBLY FOR WIRE JACKET RANGE: ϕ 1.4mm-2.7mm (NOTE 2)
- 2 = PLUG ASSEMBLY FOR WIRE JACKET RANGE: ϕ 2.7mm-3.6mm (NOTE 2)
- 5 = PLUG ASSEMBLY & HEATSHR FOR WIRE JACKET RANGE: ϕ 1.4mm-2.7mm (NOTE 3)
- 6 = PLUG ASSEMBLY & HEATSHR FOR WIRE JACKET RANGE: ϕ 2.7mm-3.6mm (NOTE 3)

COLOUR

- 01=BLACK
- 02=GREY
- 03=GREEN
- 04=BLUE
- 05=YELLOW
- 06=WHITE
- 07=BROWN
- 08=ORANGE
- 09=RED

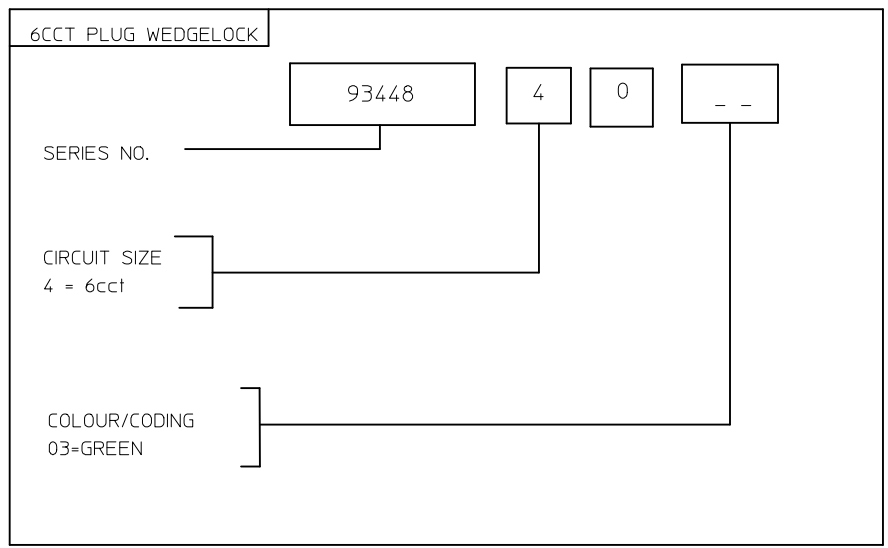
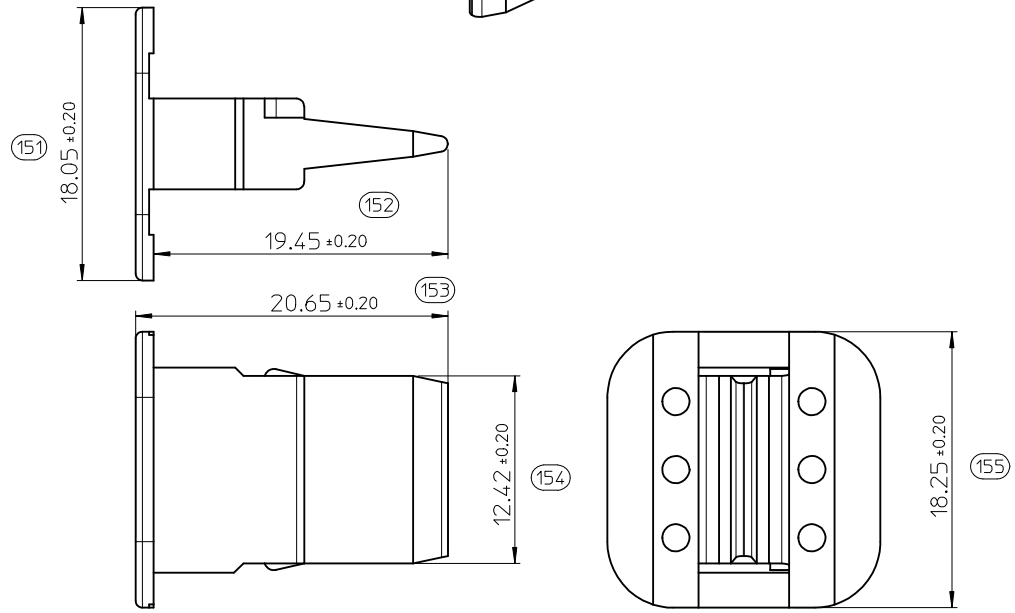
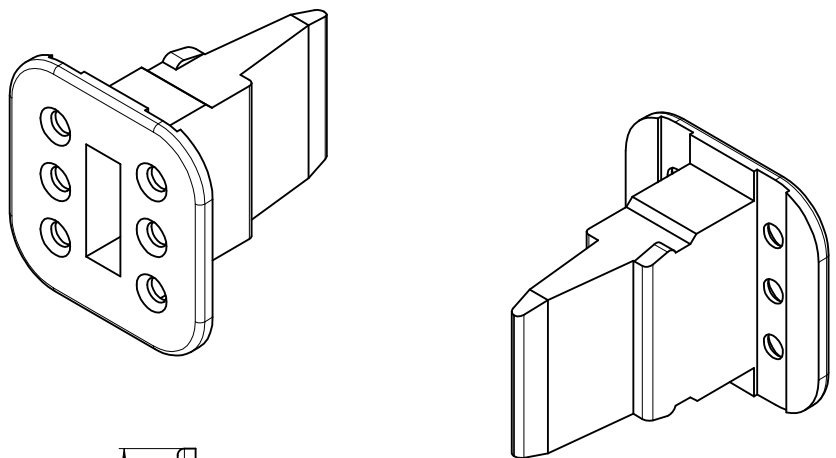
EXAMPLE:

6cct PLUG BLACK WITH LARGE SEAL AND HEATSHRINK = 93445-4601

NOTES

- 1. SEE SHEET 5 FOR UNSPECIFIED NOTES AND DIMENSIONS
- 2. BACK COVER HOUSING COLOUR: BLACK
- 3. HEATSHRINK HOUSING COLOUR: BLACK

SEE SHEET 1 EC NO: IPG2015-1746 DRWN: JFLETCHER 2015/04/07 CHKD: APPR: JWALLACE 2015/07/16 REV	QUALITY SYMBOLS	GENERAL TOLERANCES (UNLESS SPECIFIED)		DIMENSION STYLE	SCALE	DESIGN UNITS	THIRD ANGLE PROJECTION		
	$\nabla=0$ $\triangle=0$	mm	INCH	MM ONLY	1.5:1	METRIC			
		4 PLACES	\pm ---	\pm ---	DRAWN BY	DATE	TITLE		
		3 PLACES	\pm ---	\pm ---	JFLETCHER	2014/04/23	6CCT ML-XT CV CONNECTOR		
		2 PLACES	\pm 0.10	\pm ---	CHECKED BY	DATE			
	1 PLACE	\pm 0.20	\pm ---	APPROVED BY	DATE				
	0 PLACE	\pm ---	\pm ---	JWALLACE	2014/10/01				
		ANGULAR \pm 2 °		MATERIAL NO.	DOCUMENT NO.				
		DRAFT WHERE APPLICABLE MUST REMAIN WITHIN DIMENSIONS		SEE NOTES	SD-93443-004		SHEET NO. 6 OF 7		
				SIZE	THIS DRAWING CONTAINS INFORMATION THAT IS PROPRIETARY TO MOLEX INCORPORATED AND SHOULD NOT BE USED WITHOUT WRITTEN PERMISSION				
				A3					



NOTES
 1. MATERIAL
 HOUSING: NYLON 30% GF
 2. INSPECTION NUMBERS 151-200 RESERVED FOR SHEET 7
 LAST INSPECTION NUMBER 155

SEE SHEET 1
 EC NO: IPG2015-1746
 DRWN: JFLETCHER 2015/04/07
 CHKD:
 APPR: JWALLACE 2015/07/16

QUALITY SYMBOLS	GENERAL TOLERANCES (UNLESS SPECIFIED)	
	mm	INCH
▽=0	4 PLACES ± ---	± ---
∇=0	3 PLACES ± ---	± ---
	2 PLACES ± 0.10	± ---
	1 PLACE ± 0.20	± ---
	0 PLACE ± ---	± ---
	ANGULAR ± 2 °	
	DRAFT WHERE APPLICABLE MUST REMAIN WITHIN DIMENSIONS	

DIMENSION STYLE	
MM ONLY	
DRAWN BY	DATE
JFLETCHER	2014/04/23
CHECKED BY	DATE
APPROVED BY	DATE
JWALLACE	2014/10/01
MATERIAL NO.	
SEE NOTES	
SIZE	
A3	

SCALE	DESIGN UNITS	THIRD ANGLE PROJECTION
3:1	METRIC	☉ □
TITLE		
6CCT ML-XT CV CONNECTOR		
DOCUMENT NO.		SHEET NO.
SD-93443-004		7 OF 7
THIS DRAWING CONTAINS INFORMATION THAT IS PROPRIETARY TO MOLEX INCORPORATED AND SHOULD NOT BE USED WITHOUT WRITTEN PERMISSION		



Данный компонент на территории Российской Федерации

Вы можете приобрести в компании MosChip.

Для оперативного оформления запроса Вам необходимо перейти по данной ссылке:

<http://moschip.ru/get-element>

Вы можете разместить у нас заказ для любого Вашего проекта, будь то серийное производство или разработка единичного прибора.

В нашем ассортименте представлены ведущие мировые производители активных и пассивных электронных компонентов.

Распределительные склады, находящиеся в России, Европе и в Китае, позволяют нам оперативно поставить необходимые компоненты в оптимальные для Вас сроки.

На всех этапах разработки и производства наши партнеры могут получить квалифицированную поддержку опытных инженеров.

Система менеджмента качества компании отвечает требованиям ISO 9001:2011

Офис по работе с юридическими лицами:

107023, г.Москва, Семеновский переулок, д.6, Бизнес-центр «АВС»

Телефон: +7 495 668-12-70 (многоканальный)

Факс: +7 495 668-12-70 (доб.304)

E-mail: info@moschip.ru

Skype отдела продаж:

moschip.ru_3	moschip.ru_6
moschip.ru_4	moschip.ru_7
moschip.ru_11	moschip.ru_8
moschip.ru_12	moschip.ru_9