

Surge Protection Made Simple™ for Telecom Applications

IEC Class II Surge Arresters for 48Vac/60Vdc, 75Vac/100Vdc and 120Vac/200Vdc LV Systems



Description

The Cooper Bussmann® IEC Class II 48Vac/60Vdc, 75Vac/100Vdc and 120Vac/200Vdc one-pole, modular surge arresters feature local, *easyID™* visual indication and optional remote contact signaling. The unique module locking system fixes the protection module to the base part. Modules can be easily replaced without tools by simply depressing the release buttons. Integrated mechanical coding between the base and protection module ensures against installing an incorrect replacement module.

LV System Arresters

The features of these single-pole devices are for use as a single device or in combination with other devices for AC and DC voltage systems.

Remote Signaling Contact

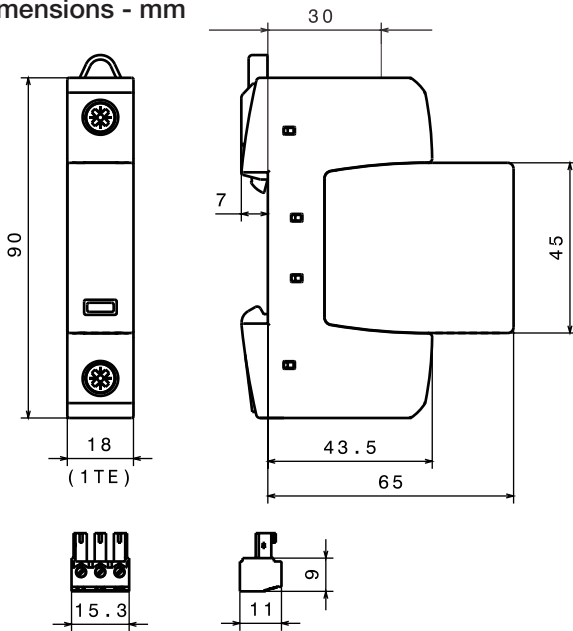
The three-pole terminal remote signaling contact versions have a floating changeover contact for use as a break or make contact, according to circuit concept.



BSPM1A48D60LV(R)
BSPM1A75D100LV(R)
BSPM1A150D200LV(R)

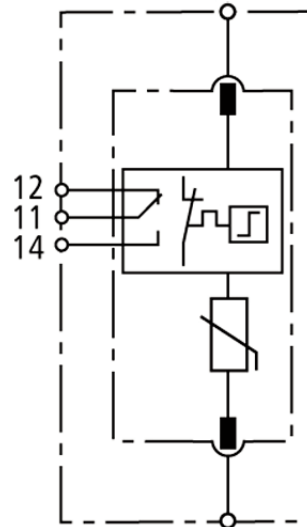


Dimensions - mm



Module Circuit Diagrams -

Shown with optional remote contact signaling



MOV Thermal Disconnect

BPMA48D60LV
BPMA75D100LV
BPMA150D200LV

Shown with optional remote contact signaling

| Ordering Information | | | | |
|---|--------------------------|----------------|---|------------------|
| System Voltage | | 48Vac/60Vdc | 75Vac/100Vdc | 120Vac/200Vdc |
| Catalogue Numbers: (Base + Modules) | Without Remote Signaling | BSPM1A48D60LV | BSPM1A75D100LV | BSPM1A150D200LV |
| | With Remote Signaling | BSPM1A48D60LVR | BSPM1A75D100LVR | BSPM1A150D200LVR |
| Replacement Modules | | BPMA48D60LV | BPMA75D100LV | BPMA150D200LV |
| Specifications | | | | |
| Line System Type | | LV | LV | LV |
| Max continuous operating AC Voltage [U _c] | | 48Vac | 75Vac | 150Vac |
| Max continuous operating DC Voltage [U _c] | | 60Vdc | 100Vdc | 200Vdc |
| Nominal discharge current (8/20 μs) [I _n] | | 10kA | 10kA | 15kA |
| Max. discharge current (8/20 μs) [I _{max}] | | 25kA | 40kA | 40kA |
| Voltage protection level [U _p] | | ≤ 0.3 kV | ≤ 0.4kV | ≤ 0.7kV |
| Voltage protection level at 5 kA [U _p] | | ≤ 0.25kV | ≤ 0.35kV | ≤ 0.55kV |
| Temporary overvoltage (TOV) [UT] | | 70V / 5 sec. | 90V / 5 sec. | 175V / 5 sec. |
| Standards Information* | | — | KEMA | KEMA |
| SPD according to EN 61643-11 | | | Type 2 | |
| SPD according to IEC 61643-1 | | | Class II | |
| Response time [t _A] | | | < 25 ns | |
| Max. mains-side overcurrent protection | | | 125 A gL/gG | |
| Short-circuit withstand capability for max. mains-side overcurrent protection | | | 50kArms | |
| TOV characteristics | | | Withstand | |
| Operating temperature range [T _U] | | | -40°C to +80°C | |
| Operating state/fault indication | | | Green (good) / Red (replace) | |
| Number of ports | | | 1 | |
| Cross-sectional area (min.) | | | 1.5mm ² /14AWG solid/flexible | |
| Cross-sectional area (max.) | | | 35mm ² /1AWG stranded/25mm ² /2AWG flexible | |
| For mounting on | | | 35mm DIN rail per EN 60715 | |
| Enclosure material | | | Thermoplastic, UL 94V0 | |
| Location category | | | Indoor | |
| Degree of protection | | | IP20 | |
| Capacity | | | 1 Mod., DIN 43880 | |
| Product warranty | | | Five years** | |
| Remote Contact Signaling | | | | |
| Remote Contact Signaling Type | | | Changeover Contact | |
| AC Switching Capacity (Volts/Amps) | | | 250V/0.5A | |
| DC Switching Capacity (Volts/Amps) | | | 250V/0.1A; 125V/0.2A; 75V/0.5A | |
| Conductor Ratings and Cross-Sectional Area for Remote Contact Signals Terminals | | | 60/75°C Max. 1.5mm ² /14AWG Solid/Flexible | |
| Ordering Information | | | Order from Catalogue Numbers Above | |

* Standards information not applicable to DC ratings.

** See Cooper Bussmann SPD Limited Warranty Statement (3A1502) for details at www.cooperbussmann.com/surge.

| Recommended Cooper Bussmann Back-Up Fuses | |
|---|---------------------|
| DIN Fuse Size | NH Fuse Part Number |
| 00 | 125NHG00B |
| 0 | 125NHG0B |
| 01 | 125NHG01B |
| 02 | 125NHG02B |

The only controlled copy of this Data Sheet is the electronic read-only version located on the Cooper Bussmann Network Drive. All other copies of this document are by definition uncontrolled. This bulletin is intended to clearly present comprehensive product data and provide technical information that will help the end user with design applications. Cooper Bussmann reserves the right, without notice, to change design or construction of any products and to discontinue or limit distribution of any products. Cooper Bussmann also reserves the right to change or update, without notice, any technical information contained in this bulletin. Once a product has been selected, it should be tested by the user in all possible applications.

Данный компонент на территории Российской Федерации

Вы можете приобрести в компании MosChip.

Для оперативного оформления запроса Вам необходимо перейти по данной ссылке:

<http://moschip.ru/get-element>

Вы можете разместить у нас заказ для любого Вашего проекта, будь то серийное производство или разработка единичного прибора.

В нашем ассортименте представлены ведущие мировые производители активных и пассивных электронных компонентов.

Нашей специализацией является поставка электронной компонентной базы двойного назначения, продукции таких производителей как XILINX, Intel (ex.ALTERA), Vicor, Microchip, Texas Instruments, Analog Devices, Mini-Circuits, Amphenol, Glenair.

Сотрудничество с глобальными дистрибьюторами электронных компонентов, предоставляет возможность заказывать и получать с международных складов практически любой перечень компонентов в оптимальные для Вас сроки.

На всех этапах разработки и производства наши партнеры могут получить квалифицированную поддержку опытных инженеров.

Система менеджмента качества компании отвечает требованиям в соответствии с ГОСТ Р ИСО 9001, ГОСТ РВ 0015-002 и ЭС РД 009

Офис по работе с юридическими лицами:

105318, г.Москва, ул.Щербаковская д.3, офис 1107, 1118, ДЦ «Щербаковский»

Телефон: +7 495 668-12-70 (многоканальный)

Факс: +7 495 668-12-70 (доб.304)

E-mail: info@moschip.ru

Skype отдела продаж:

moschip.ru

moschip.ru_4

moschip.ru_6

moschip.ru_9