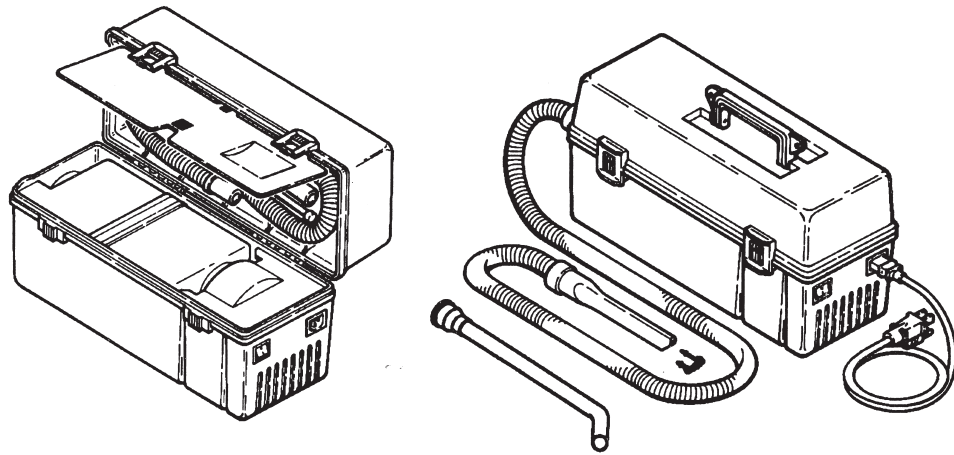




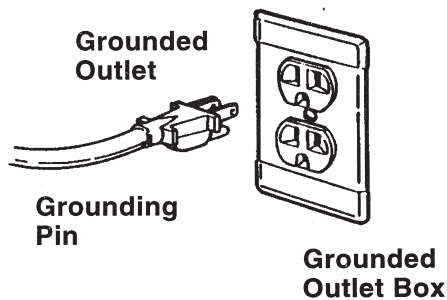
# Service and Electronic/Vacuum Operating Instructions





## Grounding Instructions

This appliance must be grounded. If it should malfunction or break down, grounding provides a path of least resistance for electric current to reduce the risk of electric shock. This appliance is equipped with a cord having an equipment-grounding conductor and grounding plug. The plug must be used with an appropriate outlet that is properly installed and grounded in accordance with all local codes and ordinances.



**⚠ DANGER**

**IMPROPER CONNECTION OF THE EQUIPMENT-GROUNDING CONDUCTOR CAN RESULT IN A RISK OF ELECTRIC SHOCK. CHECK WITH A QUALIFIED ELECTRICIAN OR SERVICE PERSON IF YOU ARE IN DOUBT AS TO WHETHER THE OUTLET IS PROPERLY GROUNDED. DO NOT MODIFY THE PLUG PROVIDED WITH THE APPLIANCE. IF THE PLUG DOES NOT FIT THE OUTLET, HAVE A PROPER OUTLET INSTALLED BY A QUALIFIED ELECTRICIAN.**

This appliance is for use on a nominal 120-volt circuit and has a grounding plug as shown in the illustration at left. Make sure the appliance is connected to an outlet having the same configuration as the plug. **No adapter should be used with this appliance.**

Any service on this vacuum cleaner should be performed by an authorized service representative.

### **⚠ WARNING!**

**Power Cord Replacement:**  
To reduce the risk of fire or electric shock, use appliance only with 3M Part No. SV-PC8 or SV-PC15 supply cord. If cord is damaged or lost, replace only with 3M Part No. SV-PC8 or SV-PC15 supply cord.

SV-PC8 Stock No. 80-6104-7964-6

SV-PC15 Stock No. 80-6104-7965-3

## Specifications for 3M Vacuums

### Electrical

120 VAC

50/60 Hz

6.8 amps

### Dimensions 3M Vacuum

Length 17-13/16 in.

Width 7-3/4 in.

Height 9-1/4 in.

Weight 9 lbs., 14 oz.

### Motor

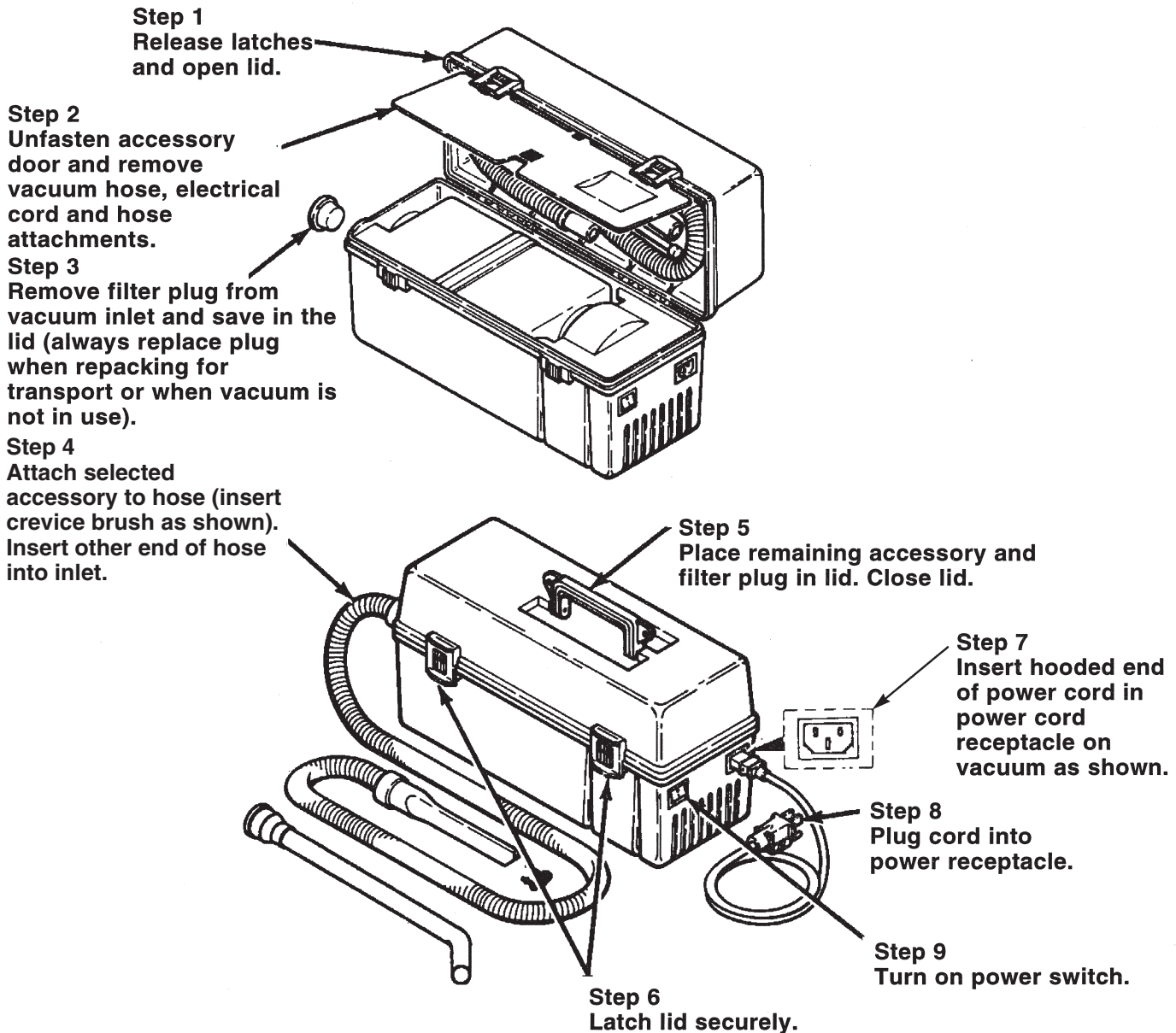
1 H.P.

Continuous duty rated sealed ball bearings lubricated for life. Internal thermal breaker opens at 221°F [105°C] and automatically closes when motor cools (after about 30 minutes).

### Certification

U.L. Listed (U.S. and Canada)

## To Operate



Follow the steps in the illustration. **DO NOT OPERATE WHEN FILTER IS FULL.** A lack of exhaust air, or diminished suction, indicates a full filter.

**⚠ WARNING**  
**ELECTRIC SHOCK COULD OCCUR IF USED OUTDOORS OR ON WET SURFACES.**

1. Release the latches and open the lid.
2. Unfasten the accessory door and remove the vacuum hose, electrical cord and hose attachments.
3. Remove the L-15X filter plug from the vacuum inlet and save in the lid (always replace plug when the vacuum is not in use or repacking for transport).
4. Attach the selected accessory to the hose (insert the crevice brush as shown). Insert the hose into the inlet.
5. Place the other accessories and plug in the lid. Close the lid.
6. Latch the lid securely.
7. Plug the cord into the vacuum.
8. Plug the cord into the power receptacle.
9. Turn on the power switch.

### Note

The motor has a thermal breaker that opens and stops the motor if it overheats. This usually occurs if the filter is full and needs to be replaced. The motor will restart automatically when it cools (after about 30 minutes).

## To Store Attachments for Transport

1. Unplug the power cord from the outlet and the vacuum.
2. Open the lid and retrieve the L-15X filter plug.
3. Remove the hose from the inlet and insert the L-15X filter plug.
4. Detach the hose nozzle from the base.
5. Place the hose, power cord and attachments into the lid and close the accessory door.
6. Close the lid and securely fasten the latches.

## To Replace Filter

1. Release the latches and open the lid.
2. Remove either the L-15X filter plug or hose. Save the plug for use later (see note below).
3. Grasp the filter and pull it straight up.
4. Insert the L-14X filter plug in the filter.
5. Dispose of the filter in a suitable manner.
6. Remove the L-14X plug from the new filter and position filter in the vacuum with the filter hole to your left. Save the L-14X plug for use in disposing the filter (see note below).
7. Verify that the gasket between the filter and the motor fits tightly.
8. Insert the L-15X filter plug or hose.
9. Close and latch the lid.

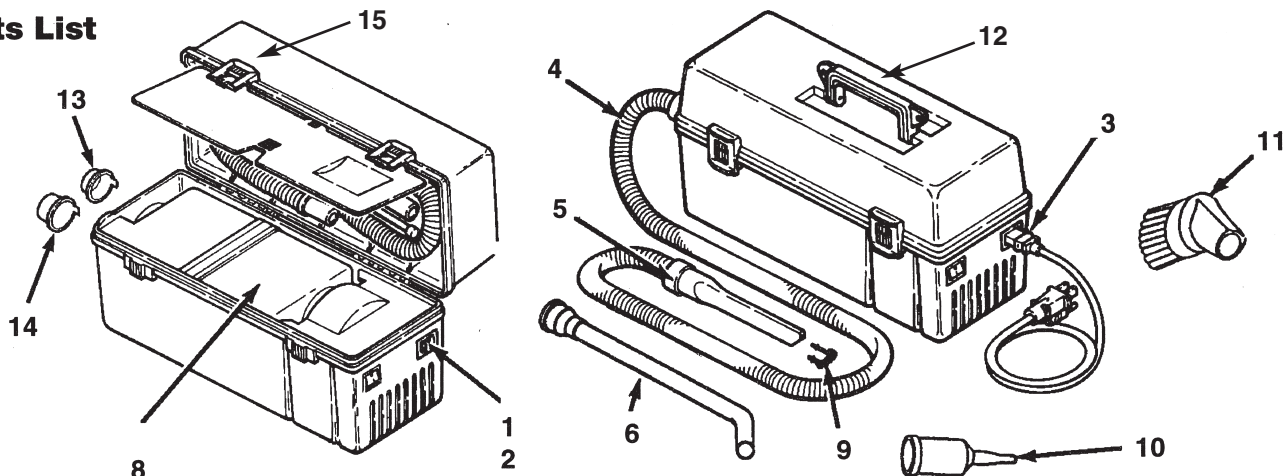
 **WARNING**  
**ELECTRIC SHOCK COULD OCCUR IF USED OUTDOORS OR ON WET SURFACES!**

 **CAUTION**  
**Do not operate when filter is full. A lack of exhaust is an indication of a full filter.**

### Note

The L-15X plug (longer plug) is used to cover the filter inlet for storage when the vacuum cleaner is not in use. This plug comes with the filter in a new vacuum cleaner. The L-14X plug (shorter plug) is used to cover the filter inlet for disposal. This plug

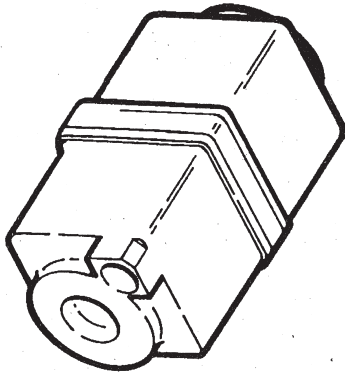
## Parts List



Item	Part Number	Description	Type of Vacuum
1	80-6104-7963-8	Power Cord Receptacle (SV-PCR)	Service
2	78-8063-1874-3	Power Cord Receptacle with RFI Filter (SV-PCR3)	Electronics
3	80-6104-7964-6	Power Cord, 8 foot (SV-PC8)	Service/Electronics
4	78-8063-2418-8	Vacuum Hose (SV-SH32)	Service/Electronics
5	80-6104-7958-8	Crevice Nozzle (SV-CN1)	Service/Electronics
6	78-8063-1540-0	Curved Wand Nozzle (SV-WA2)	Service/Electronics
8	78-8005-5350-1	Type 2 Filter, Toner/Dust (SV-MPF2)	Service/Electronics
9	80-6104-7957-0	Crevice Brush (SV-CB1)	Service/Electronics
10	78-8079-9435-1	Needle Nose Nozzle (SV-NN)	Electronics
11	80-6104-7960-4	Dusting Brush (SV-DBSD1)	Electronics
12	80-6104-7961-2	Handle (SV-H)	Service/Electronics
13	80-6104-7640-2	Short Red Filter Plug L-14X (SV-SRP)	Service/Electronics
14	80-6104-7639-4	Long Red Filter Plug L-15X (SV-LRP)	Service/Electronics
15	80-6104-7962-0	Latch (SV-LS)	Service/Electronics

## Accessories Parts List

These accessories are interchangeable on all 3M vacuums.



### 3M™ Type 1 Filter, Fine Particle (SV-SPF1)

78-6969-6211-3. A thinner, more concentrated weave (HEPA media) for trapping extremely fine particles to 0.3 microns. Typical applications are color laser printers, color copiers and highly sensitive equipment. (Disposable)

### 3M™ Type 2 Filter, Toner/Dust (SV-MPF2)

78-8005-5350-1. Specifically designed for trapping unwanted toner from copiers and laser printers. Also ideal for cleaning data processing equipment. (Disposable)



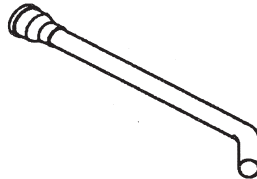
### 3M™ Dusting Brush, Static Dissipative (SV-DBSD1)

80-6104-7960-4. Used for applications involving static sensitive electronic components (such as circuit boards) to prevent static buildup.



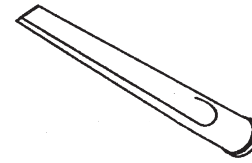
### 3M™ Crevice Brush (SV-CB1)

80-6104-7957-0. Used with crevice nozzle for general cleaning where a brush is needed to loosen foreign material. (NOT static dissipative.)



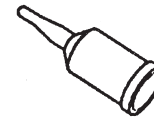
### 3M™ Curved Wand Nozzle, Static Dissipative (SV-WA2)

78-8063-1540-0. Used for general cleaning on hard to reach areas. Static dissipative properties prevent static buildup.



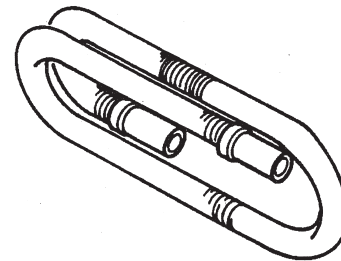
### 3M™ Crevice Nozzle, Static Dissipative (SV-CN1)

80-6104-7958-8. Used for general cleaning of loose materials in accessible areas. Prevents static buildup.



### 3M™ Needle Nose Nozzle, Static Dissipative (SV-NN)

78-8079-9435-1. Used primarily for cleaning circuit boards. Needle nose design permits cleaning in very small areas, and static dissipative properties prevent static buildup.

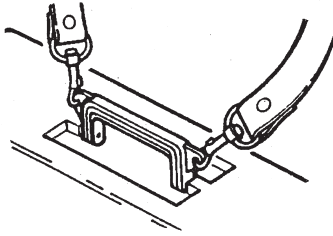


### 3M™ Stretch Hose, 32-Inch (SV-SH32)

78-8063-2418-8. Used for general applications. Stretches to approximately 10 feet.

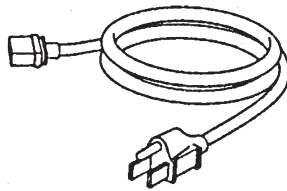
### 3M™ Stretch Hose, 50-Inch (SV-SH50)

78-8068-5818-5. Used where vacuum cannot be brought close to the object or area being cleaned.



**3M™ Carrying Strap (SV-CS1)**

80-6104-7959-6. Used where hands-free transport of vacuum is preferred.



**3M™ Power Cord, 8-Foot (SV-PC8)**

80-6104-7964-6. Standard power cord supplied with vacuum.

**3M™ Power Cord, 15-Foot (SV-PC15)**

80-6104-7965-3. Used where electrical outlet cannot be reached with standard 8-foot cord. Optional.



## Product Warranty

### **3M™ Service Vacuum Cleaner and Tool Case Limited Warranty and Limitation of Liability**

**Limited Warranty:** To the first user purchasing this 3M Service Vacuum Cleaner and Tool Case, 3M warrants that the 3M Service Vacuum will be free of defects in material and manufacture for a period of three (3) years from the time of purchase and the Tool Case will be free of defects in material and manufacture for a period of one (1) year from the date of purchase. Should any failure to conform to this warranty appear within this period upon notice to 3M within said three (3) years for the service vacuum cleaner and one (1) year for the tool case from the date of purchase, and upon proof of purchase, 3M shall, at its option, either repair or replace the defective product. It will be the purchaser's responsibility to return the product, freight prepaid, to the service location specified by 3M. These remedies are the purchaser's exclusive remedies for breach of this warranty.

**Exclusions to Warranty Coverage:** The above warranty shall not apply to any 3M Service Vacuum Cleaner that has been modified without the approval of 3M, or has been damaged by negligence, misuse, accident, failure to follow 3M's written operating instructions or use of any filter which does not meet 3M specifications. Consumable supplies, such as filters, are not covered by the above warranty.

**Disclaimer of Warranty:** EXCEPT FOR THE IMPLIED WARRANTIES OF TITLE AND AGAINST PATENT INFRINGEMENT, 3M MAKES NO OTHER WARRANTIES WITH RESPECT TO THE 3M SERVICE VACUUM CLEANER, EXPRESS OR IMPLIED, INCLUDING BUT NOT LIMITED TO ANY IMPLIED WARRANTY OF MERCHANTABILITY OR FITNESS FOR A PARTICULAR PURPOSE.

**Limitation of Liability:** 3M SHALL NOT BE LIABLE UNDER ANY CIRCUMSTANCES FOR ANY INCIDENTAL, SPECIAL, OR CONSEQUENTIAL DAMAGES, OR ECONOMIC LOSS, BASED UPON BREACH OF WARRANTY, BREACH OF CONTRACT, NEGLIGENCE, STRICT LIABILITY IN TORT OR ANY OTHER LEGAL THEORY, EVEN IF 3M HAS BEEN ADVISED OF THE POSSIBILITY OF SUCH DAMAGES INCLUDING, BUT NOT LIMITED TO LOSS OF PROFITS, REVENUE, EQUIPMENT USE, DATA OR INFORMATION OF ANY KIND. THE LIABILITY OF 3M SHALL NOT UNDER ANY CIRCUMSTANCES, EXCEPT AS EXPRESSLY PROVIDED HEREIN, EXCEED THE PRICE OF THE 3M SERVICE VACUUM CLEANER. These limitations do not apply to damages caused by breach of the implied warranties of title and against infringement, nor to claims for personal injury. Some states have laws which require liability rights different from those stated above. In such states, the minimum required liability terms shall apply.

This Vacuum is Intended for Commercial Use Only

## **Important Safety Instructions — Save These Instructions**

Read all instructions before using the vacuum.

When using an electrical appliance, always use basic precautions,  
including the following:

### **WARNING**

**TO REDUCE THE RISK OF FIRE, ELECTRIC SHOCK  
OR INJURY, FOLLOW THESE SAFETY RULES:**

1. Use only as described in this manual. Use only manufacturer's recommended attachments.
2. Do not use this machine to vacuum hazardous dust.
3. Connect to a properly grounded outlet only. See *Grounding Instructions*.
4. Do not use without filter in place.
5. Do not leave appliance plugged in when not in use. Unplug from outlet when not in use and before servicing.
6. Turn off all controls before unplugging.
7. Do not unplug by pulling on cord. To unplug, grasp the plug, not the cord.
8. Do not handle plug or appliance with wet hands.
9. Do not use appliance outdoors or on wet surfaces. Electric shock could occur.
10. Do not use with damaged cord or plug. If appliance is not working as it should, has been dropped or damaged, left outdoors, or dropped in water, discontinue use.
11. Do not pull or carry by cord, use cord as a handle, close a door on cord or pull cord around sharp edges and corners. Keep cord away from heated surfaces.
12. Do not put any object into openings. Do not use with any opening blocked. Keep openings free of dust, lint, hair, and anything that may reduce air flow.
13. Keep hair, loose clothing, fingers, and all body parts away from openings and moving parts.
14. Do not pick up anything that is burning or smoking, such as cigarettes, matches or hot ashes.
15. Do not use to pick up flammable or combustible liquids, such as gasoline, and do not use in areas where these may be present.
16. Do not allow to be used as a toy. Close attention is necessary when used near children.



3M is a trademark of 3M Company.

#### **Important Notice**

All statements, technical information, and recommendations related to 3M's products are based on information believed to be reliable, but the accuracy or completeness is not guaranteed. Before using this product, you must evaluate it and determine if it is suitable for your intended application. You assume all risks and liability associated with such use. Any statements related to the product which are not contained in 3M's current publications, or any contrary statements contained on your purchase order shall have no force or effect unless expressly agreed upon, in writing, by an authorized officer of 3M.

#### **Warranty; Limited Remedy; Limited Liability**

This product will be free from defects in material and manufacture from the time of purchase.  
3M MAKES NO OTHER WARRANTIES INCLUDING, BUT NOT LIMITED TO, ANY IMPLIED WARRANTY OF MERCHANTABILITY OR FITNESS FOR A PARTICULAR PURPOSE. If this product is defective within the warranty period stated above, your exclusive remedy shall be, at 3M's option, to replace or repair the 3M product or refund the purchase price of the 3M product. Except where prohibited by law, 3M will not be liable for any indirect, special, incidental or consequential loss or damage arising from this 3M product, regardless of the legal theory asserted.



#### **Electronic Solutions Division Interconnect Products**

6801 River Place Blvd.  
Austin, TX 78726-9000

Please recycle. Printed in U.S.A.  
© 3M 2008. All rights reserved.  
78-6970-4155-2 Rev. G

## Данный компонент на территории Российской Федерации

### Вы можете приобрести в компании MosChip.

Для оперативного оформления запроса Вам необходимо перейти по данной ссылке:

<http://moschip.ru/get-element>

Вы можете разместить у нас заказ для любого Вашего проекта, будь то серийное производство или разработка единичного прибора.

В нашем ассортименте представлены ведущие мировые производители активных и пассивных электронных компонентов.

Нашей специализацией является поставка электронной компонентной базы двойного назначения, продукции таких производителей как XILINX, Intel (ex.ALTERA), Vicor, Microchip, Texas Instruments, Analog Devices, Mini-Circuits, Amphenol, Glenair.

Сотрудничество с глобальными дистрибьюторами электронных компонентов, предоставляет возможность заказывать и получать с международных складов практически любой перечень компонентов в оптимальные для Вас сроки.

На всех этапах разработки и производства наши партнеры могут получить квалифицированную поддержку опытных инженеров.

Система менеджмента качества компании отвечает требованиям в соответствии с ГОСТ Р ИСО 9001, ГОСТ РВ 0015-002 и ЭС РД 009

### Офис по работе с юридическими лицами:

105318, г.Москва, ул.Щербаковская д.3, офис 1107, 1118, ДЦ «Щербаковский»

Телефон: +7 495 668-12-70 (многоканальный)

Факс: +7 495 668-12-70 (доб.304)

E-mail: [info@moschip.ru](mailto:info@moschip.ru)

Skype отдела продаж:

moschip.ru

moschip.ru\_4

moschip.ru\_6

moschip.ru\_9