

FEATURES

- Transient Protection: Meets the requirements of IEEE 472, "Surge Withstanding Capability Test"
- SPST, Normally Open
- Zero Crossing Turn-On
- UL, CSA, CE, TÜV Certified
- Optical Isolation
- OpenLine® and G5 Modules Provide Replaceable 5x20 mm Glass Fuses
- Built-in Status LED
- Lifetime Warranty



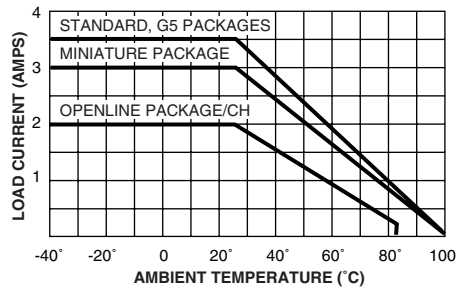
70L-OAC 70G-OAC 70-OAC 70M-OAC

DIMENSIONS

For complete dimensional drawings, see pages L-4 or L-5.

FUSES

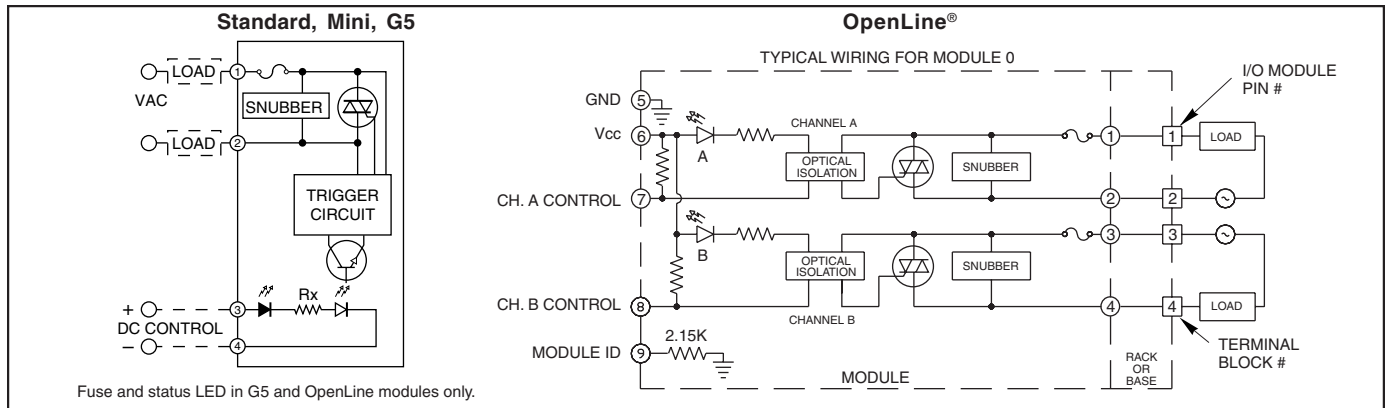
G5 Fuses are 5 Amp Littelfuse part number 217005 or equivalent. OpenLine® fuses are 3.15 Amp Littelfuse part number 2173.15.



Maximum Current Versus Ambient Temperature

The chart indicates continuous current to limit the junction temperatures to 100°C. Information is based on steady state heat transfer in a 2 cubic foot sealed enclosure.

CIRCUITRY



Fuse and status LED in G5 and OpenLine modules only.

SPECIFICATIONS: By Package Style

| Package Style | | Std (70-) | Mini (70M-) | G5 (70G-) | OL (70L-) |
|---|--------------|-------------|-------------|-------------|----------------|
| Specifications | Units | | | | |
| Load Current Range ¹ | A rms | 0.03 to 3.5 | 0.03 to 3.0 | 0.03 to 3.5 | 0.03 to 2.0/CH |
| Maximum 1 Cycle Surge ² | A rms | 80 | 80 | 80 | 30 |
| Maximum Turn-On-Time (60 Hz) ³ | mSec | 8.33 | 8.33 | 8.33 | 8.33 |
| Maximum Turn-Off Time (60 Hz) | mSec | 8.33 | 8.33 | 8.33 | 8.33 |
| Static dv/dt ⁷ | V/μsec | 3000 | 3000 | 3000 | 3000 |
| Typ. Power Dissipation | W/A | 1.0 | 1.0 | 1.0 | 1.0 |
| Isolation Voltage ⁴ | V rms | 4000 | 4000 | 4000 | 2500 |
| Vibration ⁵ | | MIL-STD-202 | MIL-STD-202 | MIL-STD-202 | IEC68-2-6 |
| Mechanical Shock ⁶ | | MIL-STD-202 | MIL-STD-202 | MIL-STD-202 | IEC68-2-27 |
| Storage Temp. Range | °C | -40 to 125 | -40 to 125 | -40 to 125 | -40 to 100 |
| Operating Temp. Range | °C | -40 to 100 | -40 to 100 | -40 to 100 | -40 to 85 |
| Warranty | | Lifetime | Lifetime | Lifetime | Lifetime |

¹ See Figure 1 for derating.
² Maximum 10 cycle surge is 50% of 1 cycle surge. Application of maximum surge may not be repeated until module temperature has returned to its steady state value.
³ Except 70-OAC5A5 which is 200 μSec and 70-OAC5A-11, 70M-OAC5A-11, and 70G-OAC5A-11 which are 100 μSec.
⁴ Field to logic and channel-to-channel if Grayhill racks are used.
⁵ MIL-STD-202, Method 204, 20, 10-2000 Hz or IEC68-2-6, 0.15 mm/sec², 10-150 Hz.
⁶ MIL-STD-202, Method 213, Condition F, 1500G or IEC68-2-27, 11 mS, 15g.
⁷ Except part numbers with -L suffix which have a dv/dt rating of 200 V/μSec.

SPECIFICATIONS: By Part Number

Standard and Miniature Modules

| Type/Function | | Grayhill Part Number | | | | | |
|--|----------|----------------------|--------------|-----------|------------|-----------|--------------|
| Miniature, Normally Open, Random Turn-on | | | 70M-OAC5A-11 | | | | |
| Miniature, Normally Open, Zero Voltage Turn-on (ZVT) | | 70M-OAC5 | 70M-OAC5A | 70M-OAC15 | 70M-OAC15A | 70M-OAC24 | 70M-OAC24A |
| Miniature, Normally Open, ZVT, Inductive Load | | 70M-OAC5-L | 70M-OAC5A-L | | | | |
| Standard, Normally Closed, Random Turn-on | | | 70-OAC5A5 | | | | |
| Standard, Normally Open, Random Turn-on | | | 70-OAC5A-11 | | | | 70-OAC24A-11 |
| Standard, Normally Open, ZVT | | 70-OAC5 | 70-OAC5A | 70-OAC15 | 70-OAC15A | 70-OAC24 | 70-OAC24A |
| Standard, Normally Open, ZVT, Inductive Load | | 70-OAC5-L | 70-OAC5A-L | | | | |
| Specifications | Units | | | | | | |
| Nominal Line Voltage | Vac | 120 | 240 | 120 | 240 | 120 | 240 |
| Load Voltage Range | Vac | 24-140 | 24-280 | 24-140 | 24-280 | 24-140 | 24-280 |
| Minimum Peak Blocking Voltage | Volts | 400 | 600 | 400 | 600 | 400 | 600 |
| Maximum Off-state Leakage @ 60Hz | mA, rms | 2 | 4 | 2 | 4 | 2 | 4 |
| Nominal Logic Voltage (Vcc) | Vdc | 5 | 5 | 15 | 15 | 24 | 24 |
| Logic Voltage Range | Vdc | 2.5-10 | 2.5-10 | 10-18 | 10-18 | 15-30 | 15-30 |
| Max. Logic Supply Current @ Nominal Vcc | mA | 16 | 16 | 9 | 9 | 9 | 9 |
| Nominal Input Resistance (Rx) | Ω | 240 | 240 | 1800 | 1800 | 2700 | 2700 |
| Minimum Drop Out Voltage | Vdc | 1 | 1 | 1 | 1 | 1 | 1 |
| Maximum Reverse Logic Voltage | Vdc | -5 | -5 | -5 | -5 | -5 | -5 |

G5 Modules

| Type/Function | | Grayhill Part Number | | | | | |
|--|----------|----------------------|--------------|-------------|--------------|-------------|--------------|
| G5 Fusible, Normally Open, ZVT | | 70G-OAC5 | 70G-OAC5A | 70G-OAC15 | 70G-OAC15A | 70G-OAC24 | 70G-OAC24A |
| G5 Fusible, Normally Open, ZVT, Inductive Load | | 70G-OAC5-L | 70G-OAC5A-L | 70G-OAC15-L | 70G-OAC15A-L | 70G-OAC24-L | 70G-OAC24A-L |
| G5 Fusible, Normally Open, Random Turn-on | | | 70G-OAC5A-11 | | | | |
| Specifications | Units | | | | | | |
| Nominal Line Voltage | Vac | 120 | 240 | 120 | 240 | 120 | 240 |
| Load Voltage Range | Vac | 24-140 | 24-280 | 24-140 | 24-280 | 24-140 | 24-280 |
| Minimum Peak Blocking Voltage | Volts | 400 | 600 | 400 | 600 | 400 | 600 |
| Maximum Off-state Leakage @ 60Hz | mA, rms | 2 | 4 | 2 | 4 | 2 | 4 |
| Nominal Logic Voltage (Vcc) | Vdc | 5 | 5 | 15 | 15 | 24 | 24 |
| Logic Voltage Range | Vdc | 4-6 | 4-6 | 8-20 | 8-20 | 18-32 | 18-32 |
| Max. Logic Supply Current @ Nominal Vcc | mA | 20 | 20 | 12 | 12 | 8 | 8 |
| Nominal Input Resistance (Rx) | Ω | 100 | 100 | 1000 | 1000 | 2700 | 2700 |
| Minimum Drop Out Voltage | Vdc | 1 | 1 | 1 | 1 | 1 | 1 |
| Maximum Reverse Logic Voltage | Vdc | -5 | -5 | -5 | -5 | -5 | -5 |

OpenLine® Modules

| Type/Function | | Grayhill Part Number | |
|---|----------|----------------------|------------|
| Dual, Fusible, Normally Open, ZVT | | 70L-OAC | 70L-OACA |
| Dual, Fusible, Normally Open, ZVT, Inductive Load | | 70L-OAC-L | 70L-OACA-L |
| Specifications | Units | | |
| Nominal Line Voltage | Vac | 120 | 240 |
| Load Voltage Range | Vac | 24-140 | 24-280 |
| Minimum Peak Blocking Voltage | Volts | 600 | 600 |
| Maximum Off-State Leakage @ 60 Hz | mA, rms | 2 | 4 |
| Nominal Logic Voltage | Vdc | 5 | 5 |
| Logic Voltage Range | Vdc | 4.5-28 | 4.5-28 |
| Max. Logic Supply Current @ Nominal Vcc | mA | 7/CH | 7/CH |
| Module ID Resistance to Logic Ground | Ω | 2.15K | 2.15K |
| Minimum Drop Out Voltage | Vdc | 1 | 1 |

Available from your local Grayhill Distributor. For prices and discounts, contact a local Sales Office, an authorized local Distributor or Grayhill.

Данный компонент на территории Российской Федерации

Вы можете приобрести в компании MosChip.

Для оперативного оформления запроса Вам необходимо перейти по данной ссылке:

<http://moschip.ru/get-element>

Вы можете разместить у нас заказ для любого Вашего проекта, будь то серийное производство или разработка единичного прибора.

В нашем ассортименте представлены ведущие мировые производители активных и пассивных электронных компонентов.

Нашей специализацией является поставка электронной компонентной базы двойного назначения, продукции таких производителей как XILINX, Intel (ex.ALTERA), Vicor, Microchip, Texas Instruments, Analog Devices, Mini-Circuits, Amphenol, Glenair.

Сотрудничество с глобальными дистрибьюторами электронных компонентов, предоставляет возможность заказывать и получать с международных складов практически любой перечень компонентов в оптимальные для Вас сроки.

На всех этапах разработки и производства наши партнеры могут получить квалифицированную поддержку опытных инженеров.

Система менеджмента качества компании отвечает требованиям в соответствии с ГОСТ Р ИСО 9001, ГОСТ РВ 0015-002 и ЭС РД 009

Офис по работе с юридическими лицами:

105318, г.Москва, ул.Щербаковская д.3, офис 1107, 1118, ДЦ «Щербаковский»

Телефон: +7 495 668-12-70 (многоканальный)

Факс: +7 495 668-12-70 (доб.304)

E-mail: info@moschip.ru

Skype отдела продаж:

moschip.ru

moschip.ru_4

moschip.ru_6

moschip.ru_9