

High-Performance Compact Circular Connectors

HR22 Series



■ Overview

The HR22 Series are 20-pin compact circular connectors developed as an interface between machine tool motors and operation panels, with a screw coupling type locking mechanism to prevent unlocking due to motor vibration, and are available in either waterproof or non-waterproof types.

■ Features

1. Available in waterproof and non-waterproof types.

Engaged waterproof type connectors are free from water penetration for 48 hours at a depth of 1.8 meters.

2. Anti-loosening locking mechanism.

The locking mechanism has an anti-loosening spring in a screw coupling.

3. Two types of termination

Available in two wiring styles for wider selection: Crimp type and soldering.

4. Easy receptacle mounting

A receptacle may be mounted quickly on a panel by tightening a nut.

5. Available with wire protection

This type of connector has a shell with a cordbushing for increased cable curvature and protection against wire breakage when bending the wire.

6. High-density design

The maximum plug dia. is 21mm for higher density of a 20-pin type connector.

HR22 Series High-Performance Compact Circular Connectors

Materials

Part	Material	Finish
Shell	Zinc alloy and Brass	Nickel plating
Insulator	PBT	(Black)
Male terminal	Brass/Phosphor bronze	Silver plating
Female terminal	Beryllium copper / Phosphor bronze	Silver plating

Ordering information

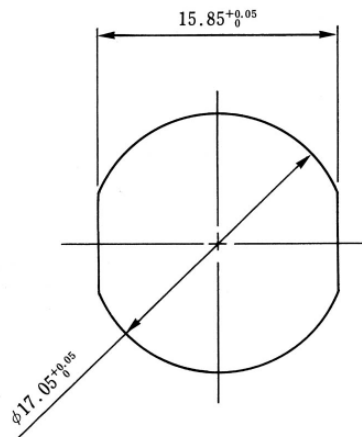
Please determine the specific product. If listed needed, please select and order the product No.

HR22 - 12 W T P A - 20 SC ()**

①
②
③
④
⑤
⑥
⑦
⑧
⑨

① Series name: HR22	⑤ Shell type P: Plug J: Jack R: Receptacle	⑦ Number of pins
② Shell size: This number indicates the outer dia. of the shell of the plug mating part.		⑧ Pin style P: Male pin PC: Crimp type male pin S: Female pin SC: Crimp type female pin
③ W: Waterproof Blank: Non-waterproof	⑥ Shell shape Each time alternation is made to the shell shape, the symbol changes such as A,B,C,D,E and so forth. Characters C,J,P and R are not used to avoid misunderstanding.	⑨ Other specifications: 2 numerical digits will be added when there is a specifications change other than shown ① to ⑧
④ Locking mechanism T: Screw coupling type		

Panel mounting dimensions



Panel thickness t : 1 to 3mm

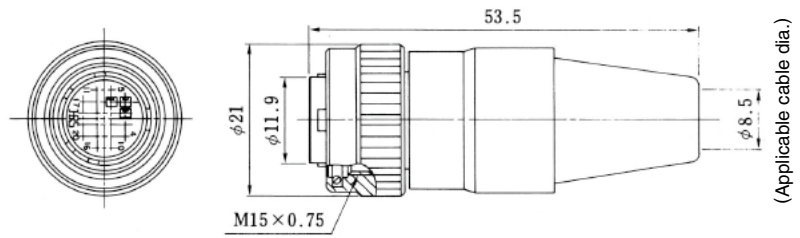
Pin allocation and major functions

Pin allocation	
Number of pins	20
Withstand voltage	AC300V for 1 minute
Current capacity	2A
Insulation resistance	1000MΩ or more at DC100V
Contact resistance	20mΩ or less
Solder pot inner dia.	φ0.8

Notes:

- The above figure shows the pin allocation viewed from the engagement side.
- The above withstand voltage shows the test voltage.
- The above current capacity shows value per pin.
- The above contact resistance shows value measured at 1A DC.

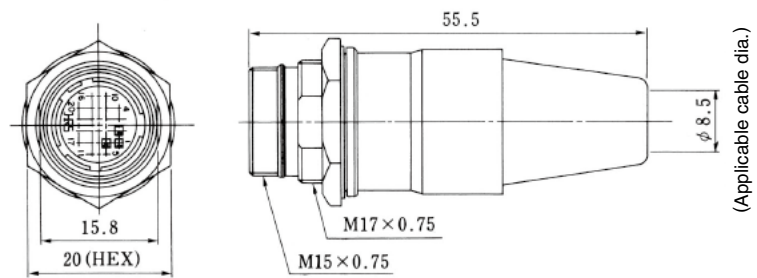
■ Plug (Crimp type)



(An example in shape)

HRS No.	Part No.
122-0010-0-73	HR22-12TPD-20SC(73)
122-0018-1-73	HR22-12TPD-20PC(73)

■ Jack (Crimp type)

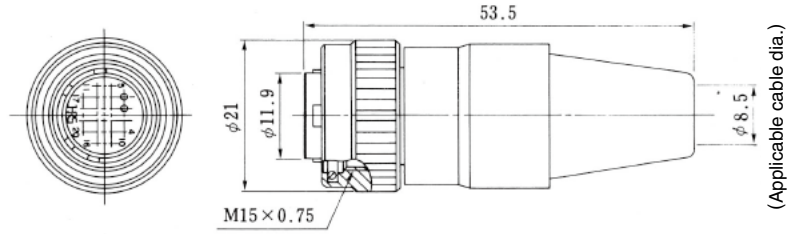


(An example in shape)

HRS No.	Part No.
122-0019-4-73	HR22-12TJD-20PC(73)

HR22 Series High-Performance Compact Circular Connectors

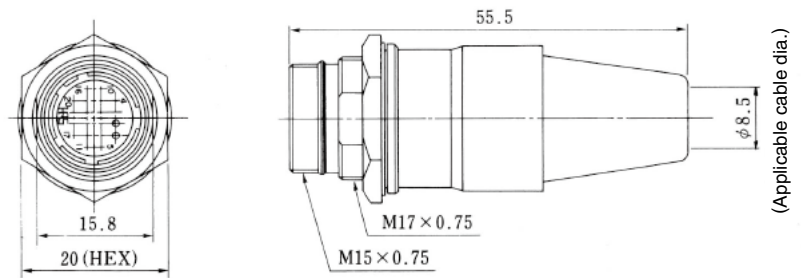
■ Plug (Solder type)



(An example in shape)

HRS No.	Part No.
122-0011-2-73	HR22-12TPD-20S(73)
122-0012-5-73	HR22-12TPD-20P(73)

■ Jack (Solder type)

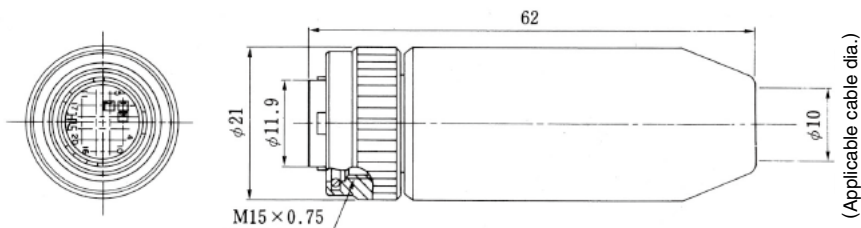


(An example in shape)

HRS No.	Part No.
122-0022-9-73	HR22-12TJD-20P(73)
122-0023-1-73	HR22-12TJD-20S(73)

Waterproof type

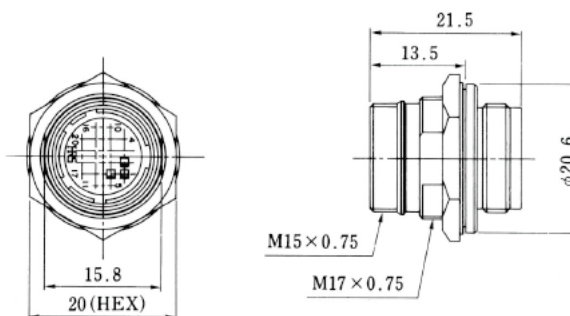
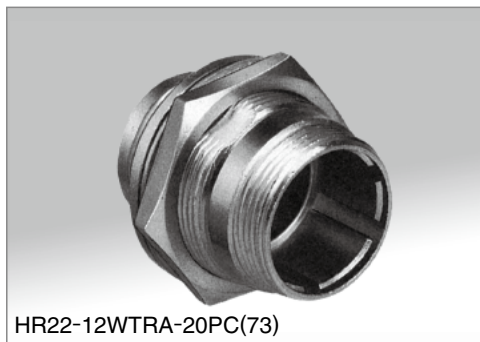
■ Plug (Crimp type)



HRS No.	Part No.
122-0004-7-73	HR22-12WTPA-20SC(73)

(An example in shape)

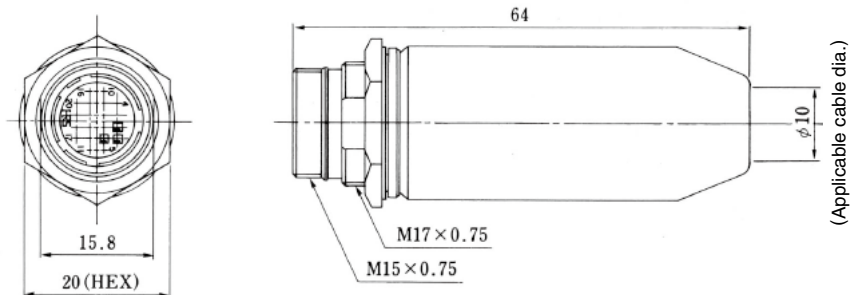
■ Receptacle (Crimp type)



HRS No.	Part No.
122-0005-0-73	HR22-12WTRA-20PC(73)
122-0021-6-73	HR22-12WTRA-20SC(73)

(An example in shape)

■ Jack (Crimp type)

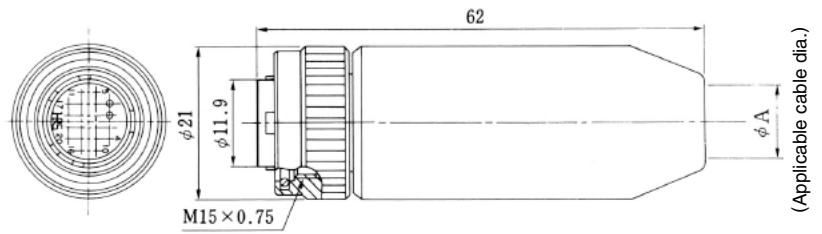


HRS No.	Part No.
122-0006-2-73	HR22-12WTJA-20PC(73)

(An example in shape)

HR22 Series High-Performance Compact Circular Connectors

■ Plug (Solder type)

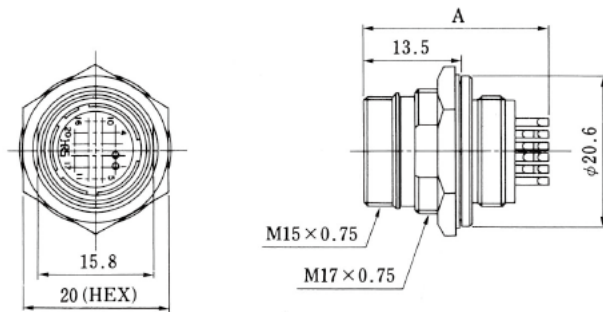


(An example in shape)

Unit : mm

HRS No.	Part No.	φA
122-0015-3-73	HR22-12WTPA-20S(73)	φ10
122-0026-0-73	HR22-12WTPE-20S(73)	φ9.2

■ Receptacle (Solder type)

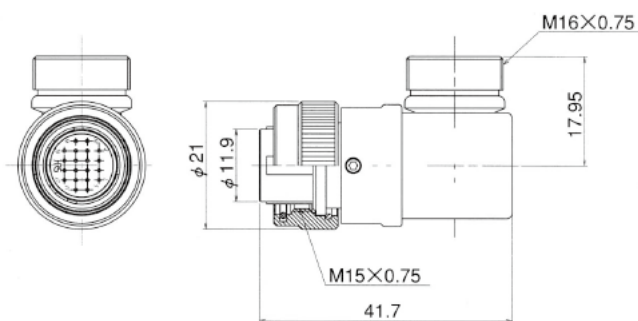


(An example in shape)

Unit : mm

HRS No.	Part No.	A
122-0013-8-73	HR22-12WTRA-20P(73)	25.5
122-0014-0-73	HR22-12WTRA-20S(73)	24

Right angle plug (Solder type)

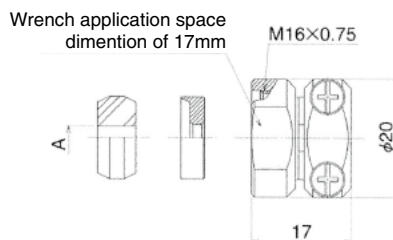


HR22-12WTLP-20P(73)

HRS No.	Part No.	Weight
122-0054-5-73	HR22-12WTLP-20P(73)	55g

Cable clamp

Screw tightening type



Shown one type

JR13WCC-10(72)

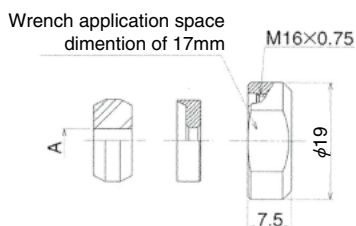
Unit : mm

Unit : mm

HRS No.	Part No.	A	Weight
114-2045-0-72	JR13WCC-4(72)	4	29g
114-2046-3-72	JR13WCC-5(72)	5	27g
114-2047-6-72	JR13WCC-6(72)	6	26g

HRS No.	Part No.	A	Weight
114-2048-9-72	JR13WCC-7(72)	7	24g
114-2049-1-72	JR13WCC-8(72)	8	23g
114-2050-0-72	JR13WCC-9(72)	9	21g
114-2051-3-72	JR13WCC-10(72)	10	20g

Without screw type



Shown one type

JR13WCC-10(72)

Unit : mm

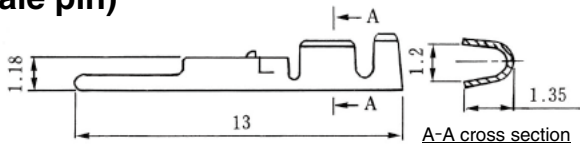
Unit : mm

HRS No.	Part No.	A	Weight
114-2069-9-72	JR13WCCA-4(72)	4	10g
114-2070-8-72	JR13WCCA-5(72)	5	10g
114-2071-0-72	JR13WCCA-6(72)	6	10g

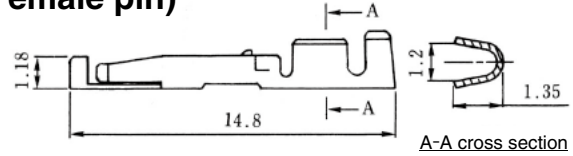
HRS No.	Part No.	A	Weight
114-2072-3-72	JR13WCCA-7(72)	7	9g
114-2073-6-72	JR13WCCA-8(72)	8	9g
114-2074-9-72	JR13WCCA-9(72)	9	8g
114-2075-1-72	JR13WCCA-10(72)	10	8g

HR22 Series High-Performance Compact Circular Connectors

**■Contact
(Male pin)**



(Female pin)

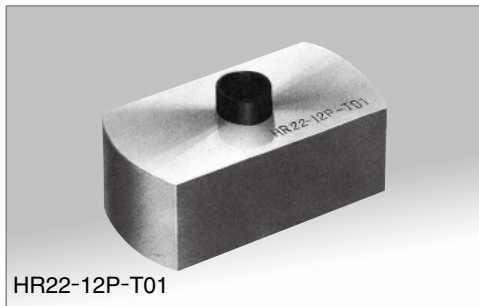


HRS No.	Part No.	Packaging	Applicable cable
122-0017-9-00	HR22-PC-122	100 pcs. per bag	AWG#24 ~ 28
122-0009-0-00	HR22-PC-222	10,000 pcs. per reel	AWG#24 ~ 28

HRS No.	Part No.	Packaging	Applicable cable
122-0016-6-00	HR22-SC-122	100 pcs. per bag	AWG#24 ~ 28
122-0008-8-00	HR22-SC-222	10,000 pcs. per reel	AWG#24 ~ 28

Notes 1: Use a cable having an insulator outer dia. of 1.15 mm or less.

■Wiring tool



A connector may be assembled and disassembled easily using the assembly tool shown left.

HRS No.	Part No.	Applicable connector
150-0075-4-00	HR22-12P-T01	HR22-12WTPA HR22-12TPD

■Applicable tools

Unit : mm

Type	Item	HRS No.	Part No.	Applicable terminal	Applicable wire
Manual	Manual crimping tool	150-0200-4-00	HR22-TA2428HC	HR22-PC-122 HR22-SC-122	AWG#24~28
Automatic	Automatic crimping machine body	901-0005-4	CM-105	—	—
	Applicator	901-2023-7	AP105-HR22-2	HR22-PC-122 HR22-SC-122	AWG#24~28
Cable crimping tool		150-0058-5-00	HR10A-TC-04	—	φ8.5(Note)
Extractor		150-0039-0-00	RP6-SC-TP	—	—

Note: Cable crimping tools are not used for connecting waterproof connectors.



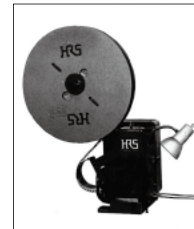
Manual crimping tool



Pull-out tool



Cable crimping tool



Automatic crimping machine CM-105

◆Precautions

1. Switch off the power of the circuit before disconnecting or plugging-in the connectors.
2. Use connectors with socket contacts at the power side of the circuit.
3. Make sure that the coupling is in completely cocked position.
4. The cable pull and twisting strength and other characteristics may differ, depending on the cable structure. Please confirm before the use.



HIROSE ELECTRIC CO.,LTD.

5-23, OSAKI 5-CHOME, SHINAGAWA-KU, TOKYO 141-8587, JAPAN
 PHONE: 81-3-3491-5300, FAX: 81-3-3495-5230
<http://www.hirose.com>
<http://www.hirose-connectors.com>

Данный компонент на территории Российской Федерации

Вы можете приобрести в компании MosChip.

Для оперативного оформления запроса Вам необходимо перейти по данной ссылке:

<http://moschip.ru/get-element>

Вы можете разместить у нас заказ для любого Вашего проекта, будь то серийное производство или разработка единичного прибора.

В нашем ассортименте представлены ведущие мировые производители активных и пассивных электронных компонентов.

Нашей специализацией является поставка электронной компонентной базы двойного назначения, продукции таких производителей как XILINX, Intel (ex.ALTERA), Vicor, Microchip, Texas Instruments, Analog Devices, Mini-Circuits, Amphenol, Glenair.

Сотрудничество с глобальными дистрибьюторами электронных компонентов, предоставляет возможность заказывать и получать с международных складов практически любой перечень компонентов в оптимальные для Вас сроки.

На всех этапах разработки и производства наши партнеры могут получить квалифицированную поддержку опытных инженеров.

Система менеджмента качества компании отвечает требованиям в соответствии с ГОСТ Р ИСО 9001, ГОСТ РВ 0015-002 и ЭС РД 009

Офис по работе с юридическими лицами:

105318, г.Москва, ул.Щербаковская д.3, офис 1107, 1118, ДЦ «Щербаковский»

Телефон: +7 495 668-12-70 (многоканальный)

Факс: +7 495 668-12-70 (доб.304)

E-mail: info@moschip.ru

Skype отдела продаж:

moschip.ru

moschip.ru_4

moschip.ru_6

moschip.ru_9