

FEATURES

Voltage feedback

Wide output swing

18.4 V p-p differential, $R_{LOAD, DIFF} = 20 \Omega$ from 12 V supply

High output current

Linear output current of 450 mA peak

Low distortion

-65 dBc for Profile 8b @ 20.4 dBm

-55 dBc for Profile 17a @ 14.5 dBm

High speed

85 MHz bandwidth ($A_{V, DIFF} = 5$)

APPLICATIONS

ADSL2+/VDSL2 CO/CPE line drivers

PLC line drivers

Consumer xDSL modems

Twisted pair line drivers

FUNCTIONAL BLOCK DIAGRAM

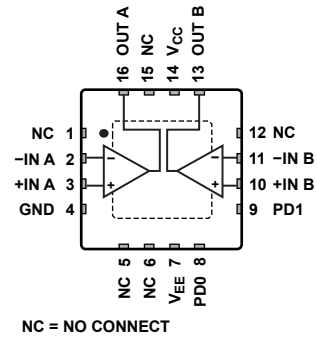


Figure 1. Thermally Enhanced, 4 mm × 4 mm, 16-Lead LFCSP_WQ

TYPICAL APPLICATION DIAGRAM

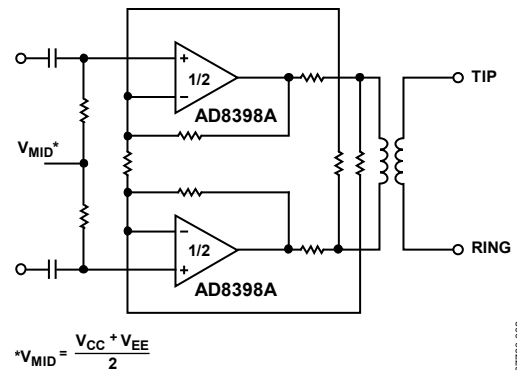


Figure 2. Typical VDSL2 Application

GENERAL DESCRIPTION

The AD8398A comprises two high speed, voltage feedback operational amplifiers. When configured as a differential line driver, the AD8398A is an ideal choice for ADSL2+, VDSL2, and power line communications (PLC) applications. It has high output current, high bandwidth, and fast slew rate, combined with exceptional multitone power ratio (MTPR) and common-mode stability. The AD8398A is available in a thermally enhanced 4 mm × 4 mm, 16-lead LFCSP.

The AD8398A incorporates power management functionality via two CMOS-compatible control pins, PD0 and PD1. These pins select one of four operating modes: full power, medium power, low power, or complete power-down. In the power-down mode, the quiescent current drops to 0.7 mA.

The AD8398A operates in the industrial temperature range of -40°C to +85°C.

Rev. D

Information furnished by Analog Devices is believed to be accurate and reliable. However, no responsibility is assumed by Analog Devices for its use, nor for any infringements of patents or other rights of third parties that may result from its use. Specifications subject to change without notice. No license is granted by implication or otherwise under any patent or patent rights of Analog Devices. Trademarks and registered trademarks are the property of their respective owners.

TABLE OF CONTENTS

Features	1	Typical Performance Characteristics	6
Applications	1	Applications Information	8
Functional Block Diagram	1	Power Control Modes of Operation	8
Typical Application Diagram	1	Exposed Thermal Pad Connections	8
General Description	1	Power Supply Bypassing	8
Revision History	2	Board Layout	8
Specifications	3	Multitone Power Ratio	9
Absolute Maximum Ratings	4	Lightning and AC Power Fault	9
Thermal Resistance	4	Outline Dimensions	10
Maximum Power Dissipation	4	Ordering Guide	10
ESD Caution	4		
Pin Configuration and Function Descriptions	5		

REVISION HISTORY

9/10—Rev. C to Rev. D

Change to General Description Section 1

3/10—Rev. B to Rev. C

Changes to Figure 14..... 9

12/09—Rev. A to Rev. B

Changes to Figure 13, Figure 14, and Figure 15 9

10/09—Rev. Sp0 to Rev. A

Changed R_{LOAD} to $R_{LOAD, Diff}$ Throughout 1

Changes to DC Performance, Differential Input Offset Voltage Parameter, Table 1 3

Changes to Figure 4..... 5

Changes to Figure 8 and Figure 9..... 6

Changes to Exposed Thermal Pad Connections Section..... 8

11/08—Revision Sp0: Initial Version

SPECIFICATIONS

$V_S = 12\text{ V}$, $\pm 6\text{ V}$ at $T_A = 25^\circ\text{C}$, $A_{V\text{DIFF}} = 5$, $R_{\text{LOAD,DIFF}} = 20\ \Omega$, $\text{PD1} = 0$, $\text{PD0} = 0$, unless otherwise noted.

Table 1.

Parameter	Test Conditions/Comments	Min	Typ	Max	Unit
DYNAMIC PERFORMANCE					
–3 dB Bandwidth	$A_{V\text{DIFF}} = 5$, $V_{\text{OUT}} = 2\text{ V}$ peak, measured differentially				
	$\text{PD1} = 0$, $\text{PD0} = 0$		85		MHz
	$\text{PD1} = 0$, $\text{PD0} = 1$		85		MHz
Slew Rate	$\text{PD1} = 1$, $\text{PD0} = 0$		75		MHz
	$V_{\text{OUT}} = 4\text{ V}$ peak, measured differentially		600		$\text{V}/\mu\text{s}$
NOISE/DISTORTION PERFORMANCE					
MTPR	Profile 8b at 20.4 dBm in VDSL2 application		–65		dBc
	Profile 17a at 14.5 dBm in VDSL2 application		–55		dBc
Off Isolation	$\text{PD1} = 1$, $\text{PD0} = 1$		–80		dBc
Input Voltage Noise	$f = 100\text{ kHz}$		4.8		$\text{nV}/\sqrt{\text{Hz}}$
Input Current Noise	$f = 100\text{ kHz}$		0.9		$\text{pA}/\sqrt{\text{Hz}}$
Differential Output Voltage Noise	$f = 100\text{ kHz}$ in VDSL2 application		120		$\text{nV}/\sqrt{\text{Hz}}$
DC PERFORMANCE					
Differential Input Offset Voltage		–2	± 0.1	+2	mV
Input Offset Voltage			16	55	mV
Input Bias Current			0.5	1	μA
Open-Loop Gain			63		dB
Common-Mode Rejection	Measured differentially		–100	–74	dB
INPUT CHARACTERISTICS					
Input Resistance	$f < 100\text{ kHz}$		1.9		$\text{M}\Omega$
OUTPUT CHARACTERISTICS					
Differential Swing		17.6	18.4		V p-p
Linear Peak Output Current	VDSL2 at 20.4 dBm, MTPR = –65 dBc		450		mA peak
POWER SUPPLY					
Operating Range	Dual supply		± 6		V
	Single supply		12		V
Supply Current	$\text{PD1} = 0$, $\text{PD0} = 0$	29	33.2	37	mA
	$\text{PD1} = 0$, $\text{PD0} = 1$	20	22.9	25.5	mA
	$\text{PD1} = 1$, $\text{PD0} = 0$	12	13.3	14.5	mA
	$\text{PD1} = 1$, $\text{PD0} = 1$		0.7	1.1	mA
Power Supply Rejection	Measured differentially		–94	–74	dB
POWER-DOWN PINS					
PD1 , PD0 V_{IL}	Referenced to GND		0.8		V
PD1 , PD0 V_{IH}	Referenced to GND		2		V
PD1 , PD0 Bias Current	PD1 , $\text{PD0} = 0\text{ V}$		15	30	μA
	PD1 , $\text{PD0} = 3\text{ V}$		6	17	μA
Enable Time	PD1 , $\text{PD0} = (1, 1) - (0, 0)$		60		μs
Disable Time	PD1 , $\text{PD0} = (0, 0) - (1, 1)$		600		μs

ABSOLUTE MAXIMUM RATINGS

Table 2.

Parameter	Rating
Power Supplies ($V_{CC} - V_{EE}$)	13.2 V
Power Dissipation	$(T_{JMAX} - T_A)/\theta_{JA}$
Storage Temperature Range	-65°C to +125°C
Operating Temperature Range	-40°C to +85°C
Lead Temperature (Soldering, 10 sec)	300°C
Junction Temperature	150°C

Stresses above those listed under Absolute Maximum Ratings may cause permanent damage to the device. This is a stress rating only; functional operation of the device at these or any other conditions above those indicated in the operational section of this specification is not implied. Exposure to absolute maximum rating conditions for extended periods may affect device reliability.

THERMAL RESISTANCE

θ_{JA} is specified with the device soldered on a JEDEC circuit board and the thermal pad connected to the GND plane layer using six vias.

Table 3. Thermal Resistance

Package Type	θ_{JA}	Unit
16-Lead LFCSP_WQ	35.6	°C/W

MAXIMUM POWER DISSIPATION

The maximum safe power dissipation for the AD8398A is limited by its junction temperature (T_J) on the die. The maximum safe T_J of plastic encapsulated devices, as determined by the glass transition temperature of the plastic, is 150°C. Temporarily exceeding this limit may cause a shift in the parametric performance due to a change in the stresses exerted on the die by the package. Exceeding this limit for an extended period can result in device failure.

Figure 3 shows the maximum safe power dissipation in the package vs. the ambient temperature for the 16-lead LFCSP_WQ on a 4-layer board with six vias connecting the exposed pad to the GND plane layer.

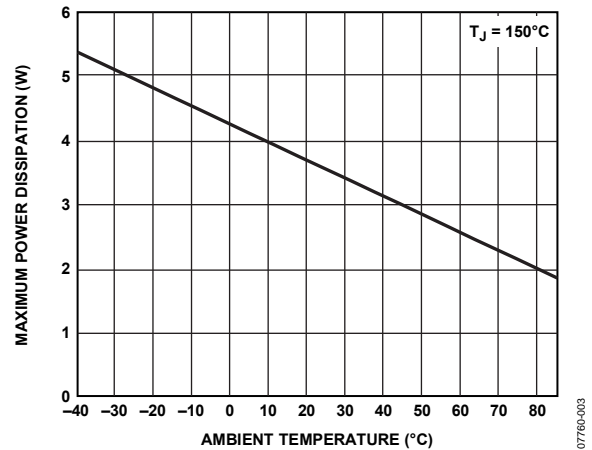


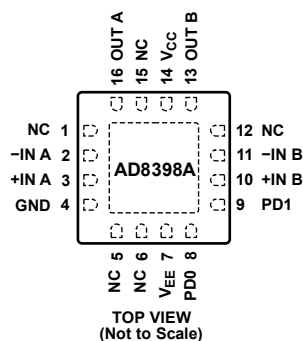
Figure 3. Maximum Safe Power Dissipation vs. Ambient Temperature, 4-Layer JEDEC Board with Six Thermal Vias

ESD CAUTION



ESD (electrostatic discharge) sensitive device. Charged devices and circuit boards can discharge without detection. Although this product features patented or proprietary protection circuitry, damage may occur on devices subjected to high energy ESD. Therefore, proper ESD precautions should be taken to avoid performance degradation or loss of functionality.

PIN CONFIGURATION AND FUNCTION DESCRIPTIONS



NOTES

1. NC = NO CONNECT
2. EXPOSED PADDLE (EPAD) IS FLOATING, NOT ELECTRICALLY CONNECTED INTERNALLY.

07766-004

Figure 4. Pin Configuration

Table 4. Pin Function Descriptions

Pin No.	Mnemonic	Description
1, 5, 6, 12, 15	NC	No Connect.
2	-IN A	Amplifier A Inverting Input.
3	+IN A	Amplifier A Noninverting Input.
4	GND	Ground.
7	V_{EE}	Negative Power Supply Input.
8	PDO	Power Mode Control.
9	PD1	Power Mode Control.
10	+IN B	Amplifier B Noninverting Input.
11	-IN B	Amplifier B Inverting Input.
13	OUT B	Amplifier B Output.
14	V_{CC}	Positive Power Supply Input.
16	OUT A	Amplifier A Output.
EPAD	Exposed Paddle (EPAD)	The exposed paddle is electrically isolated.

TYPICAL PERFORMANCE CHARACTERISTICS

$V_{CC} = 6\text{ V}$, $V_{EE} = -6\text{ V}$, unless otherwise stated.

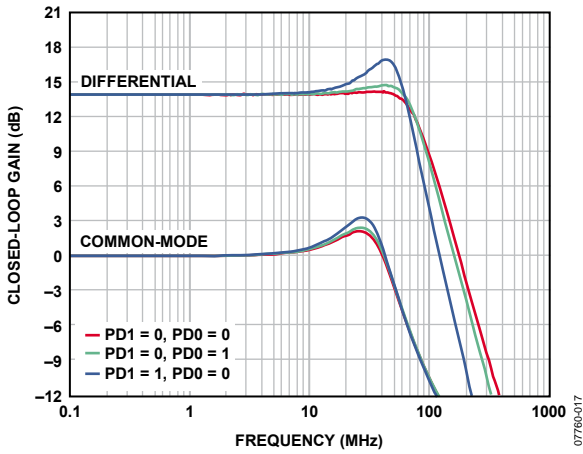


Figure 5. Small Signal Differential and Common-Mode Frequency Response; $A_{V,DIFF} = 5$ (See the Application Circuit in Figure 8)

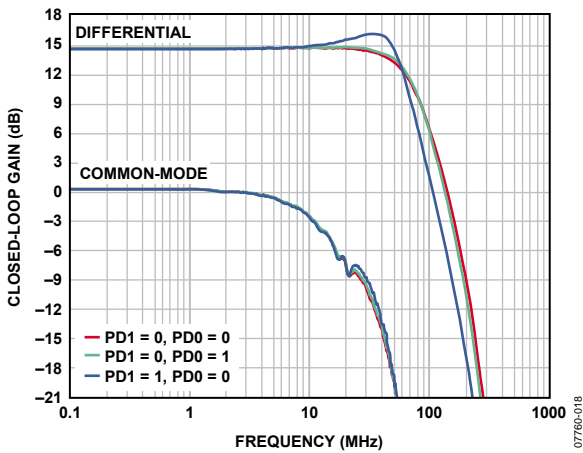


Figure 6. Small Signal Differential and Common-Mode Frequency Response (See the Application Circuit in Figure 9)

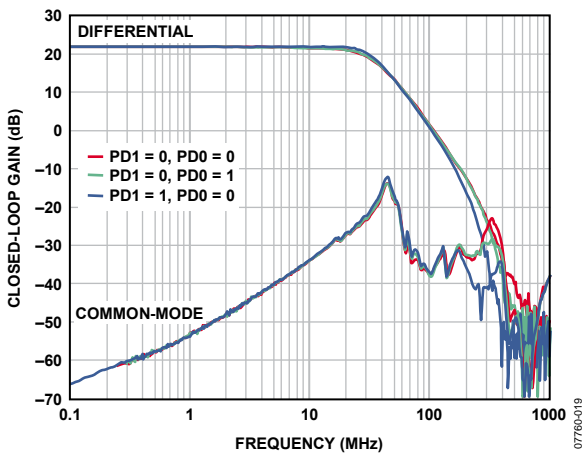
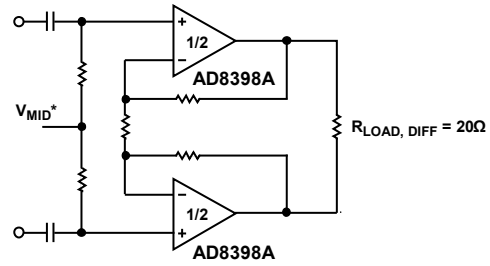
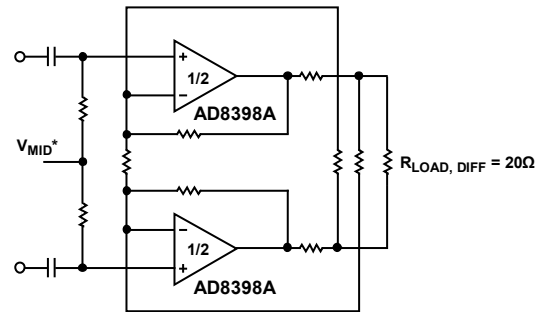


Figure 7. Small Signal Differential and Common-Mode Frequency Response (See the Application Circuit in Figure 10)



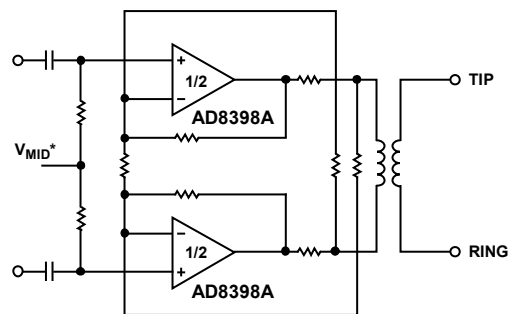
$$*V_{MID} = \frac{V_{CC} + V_{EE}}{2}$$

Figure 8. Typical Differential Application Circuit
 $R_{LOAD,DIFF} = 20\ \Omega$



$$*V_{MID} = \frac{V_{CC} + V_{EE}}{2}$$

Figure 9. Typical Differential Application Circuit with Positive Feedback
 $R_{LOAD,DIFF} = 20\ \Omega$



$$*V_{MID} = \frac{V_{CC} + V_{EE}}{2}$$

Figure 10. Typical VDSL2 Application Circuit

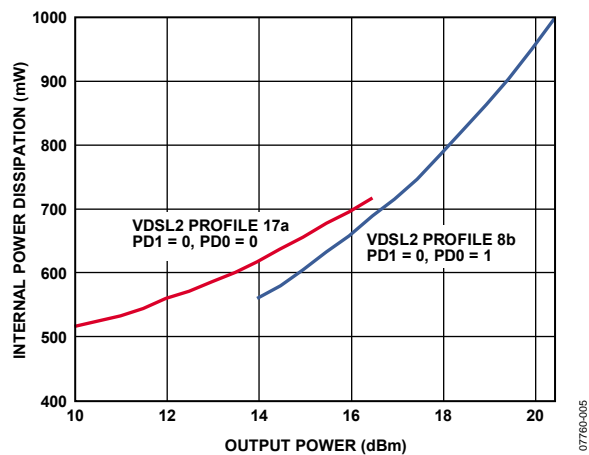


Figure 11. Internal Power Dissipation vs. Output Power

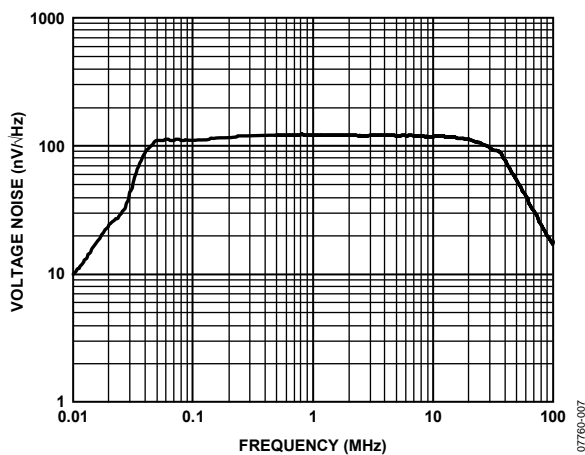


Figure 12. Differential Output Voltage Noise vs. Frequency in a Typical VDSL2 Application

APPLICATIONS INFORMATION

POWER CONTROL MODES OF OPERATION

The AD8398A features four power modes: full power, medium power, low power, and complete power-down. Two CMOS-compatible logic pins (PD0 and PD1) select the power mode. The power modes and associated logic states are listed in Table 5.

Table 5. Power Modes

PD1	PD0	Power Mode	Total Supply Current (mA)
0	0	Full power	33.2
0	1	Medium power	22.9
1	0	Low power	13.3
1	1	Power-down	0.7

EXPOSED THERMAL PAD CONNECTIONS

To ensure adequate heat transfer away from the die, connect the exposed thermal pad to a solid plane layer with low thermal resistance. To maximize the operating life of the AD8398A, the thermal design of the system should be kept below the junction temperature of 125°C.

Although it is electrically isolated, the thermal pad typically connects to the ground plane layer.

POWER SUPPLY BYPASSING

The AD8398A typically operates on ± 6 V or +12 V supplies. Power the AD8398A circuit with a well-regulated, properly decoupled power supply. To minimize supply voltage ripple and power dissipation, use high quality capacitors with low equivalent series resistance (ESR), such as multilayer ceramic capacitors (MLCCs). Place a decoupling 0.1 μ F MLCC no more than $\frac{1}{8}$ inch away from each of the power supply pins. In addition, a 10 μ F tantalum capacitor is recommended to provide good decoupling for lower frequency signals and to supply current for fast, large signal changes at the AD8398A outputs. Lay out bypass capacitors to keep return currents away from the inputs of the amplifiers. This layout minimizes any voltage drops that can develop due to ground currents flowing through the ground plane.

BOARD LAYOUT

As is the case with all high speed applications, careful attention to printed circuit board (PCB) layout details prevents associated board parasitics from becoming problematic. Proper RF design technique is mandatory.

The PCB has a ground plane covering all unused portions of the component side of the board to provide a low impedance return path. Removing the ground plane on all layers from the area near the input and output pins of the AD8398A reduces stray capacitance.

Signal lines connecting the feedback and gain resistors should be as short as possible to minimize the inductance and stray capacitance associated with these traces. Place termination resistors and loads as close as possible to their respective inputs and outputs.

To minimize coupling (crosstalk) through the board, keep input and output traces as far apart as possible. Wherever there are complementary signals, provide a symmetrical layout to maximize balanced performance.

MULTITONE POWER RATIO

The discrete multitone (DMT) signal used in xDSL systems carries data in discrete tones or bins that appear in the frequency domain in evenly spaced 4.3125 kHz intervals. In applications using this type of waveform, multitone power ratio (MTPR) is a commonly used measure of linearity. Generally, designers are concerned with two types of MTPR: in band and out of band. In-band MTPR is defined as the measured difference from the peak of one tone that is loaded with data to the peak of an adjacent tone that is intentionally left empty. Out-of-band MTPR is defined as the spurious emissions that occur in the receive bands. Transmit band power and receive band MTPR are shown in Figure 13, Figure 14, and Figure 15 for Profile 17a, Profile 8b, and ADSL2+, respectively.

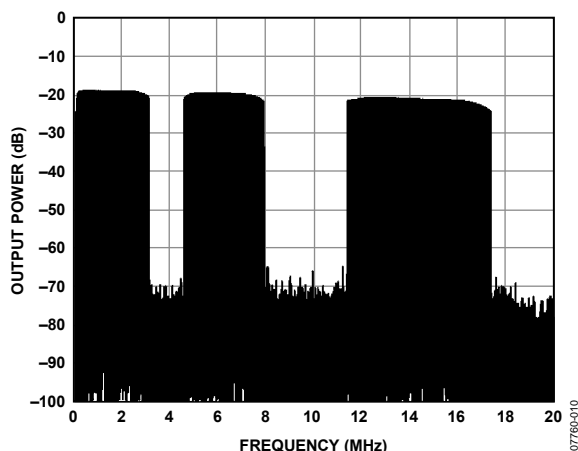


Figure 13. MTPR of a Typical VDSL2 Profile 17a DMT Test Signal, $V_S = \pm 6 V$, Output Power = 14.5 dBm

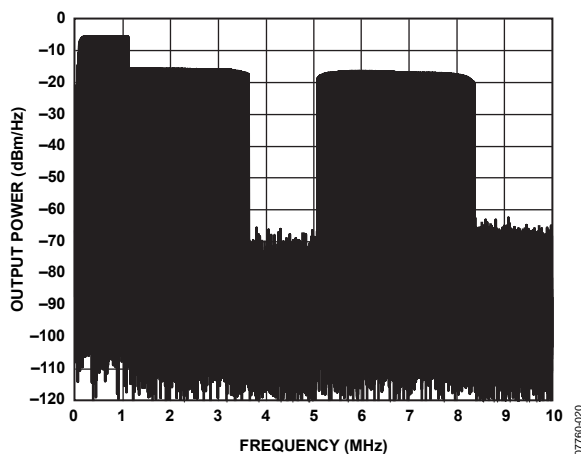


Figure 14. MTPR of a Typical VDSL2 Profile 8b DMT Test Signal, $V_S = \pm 6 V$, Output Power = 20.4 dBm

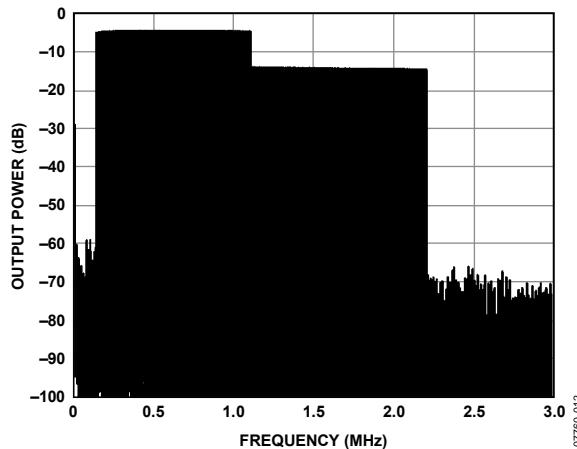
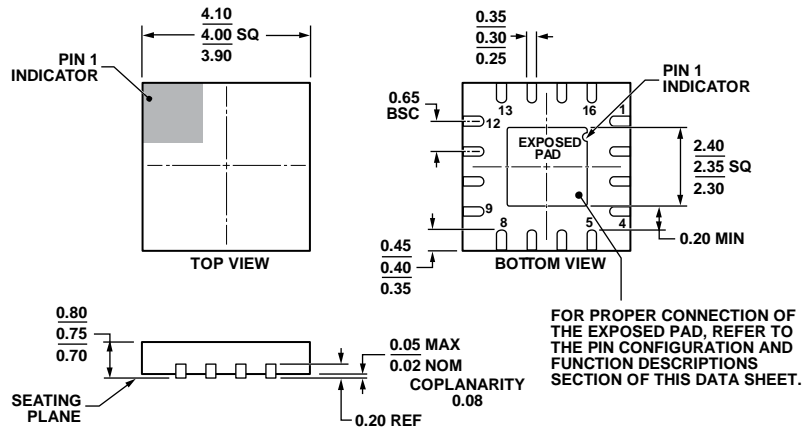


Figure 15. MTPR of a Typical ADSL2+ DMT Test Signal, $V_S = \pm 6 V$, Output Power = 20.4 dBm

LIGHTNING AND AC POWER FAULT

DSL line drivers are transformer-coupled to the twisted pair telephone line. In this environment, the AD8398A may be subject to large line transients resulting from events such as lightning strikes or downed power lines. Additional circuitry is required to protect the AD8398A from possible damage due to these events.

OUTLINE DIMENSIONS



COMPLIANT TO JEDEC STANDARDS MO-220-WGGD

Figure 16. 16-Lead Lead Frame Chip Scale Package [LFCSP_WQ]
 4 mm × 4 mm Body, Very Very Thin Quad
 (CP-16-20)
 Dimensions shown in millimeters

101408-A

ORDERING GUIDE

Model ¹	Temperature Range	Package Description	Package Option
AD8398AAPZ-R2	-40°C to +85°C	16-Lead Lead Frame Chip Scale Package [LFCSP_WQ]	CP-16-20
AD8398AAPZ-R7	-40°C to +85°C	16-Lead Lead Frame Chip Scale Package [LFCSP_WQ]	CP-16-20
AD8398AAPZ-RL	-40°C to +85°C	16-Lead Lead Frame Chip Scale Package [LFCSP_WQ]	CP-16-20

¹ Z = RoHS Compliant Part.

NOTES

AD8398A

NOTES

Данный компонент на территории Российской Федерации

Вы можете приобрести в компании MosChip.

Для оперативного оформления запроса Вам необходимо перейти по данной ссылке:

<http://moschip.ru/get-element>

Вы можете разместить у нас заказ для любого Вашего проекта, будь то серийное производство или разработка единичного прибора.

В нашем ассортименте представлены ведущие мировые производители активных и пассивных электронных компонентов.

Нашей специализацией является поставка электронной компонентной базы двойного назначения, продукции таких производителей как XILINX, Intel (ex.ALTERA), Vicor, Microchip, Texas Instruments, Analog Devices, Mini-Circuits, Amphenol, Glenair.

Сотрудничество с глобальными дистрибьюторами электронных компонентов, предоставляет возможность заказывать и получать с международных складов практически любой перечень компонентов в оптимальные для Вас сроки.

На всех этапах разработки и производства наши партнеры могут получить квалифицированную поддержку опытных инженеров.

Система менеджмента качества компании отвечает требованиям в соответствии с ГОСТ Р ИСО 9001, ГОСТ РВ 0015-002 и ЭС РД 009

Офис по работе с юридическими лицами:

105318, г.Москва, ул.Щербаковская д.3, офис 1107, 1118, ДЦ «Щербаковский»

Телефон: +7 495 668-12-70 (многоканальный)

Факс: +7 495 668-12-70 (доб.304)

E-mail: info@moschip.ru

Skype отдела продаж:

moschip.ru

moschip.ru_4

moschip.ru_6

moschip.ru_9