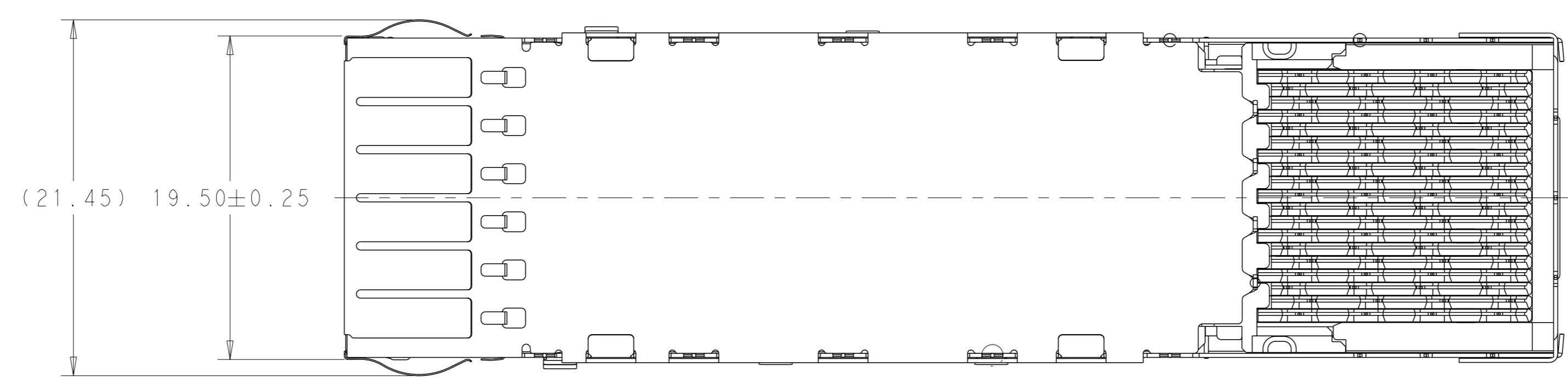
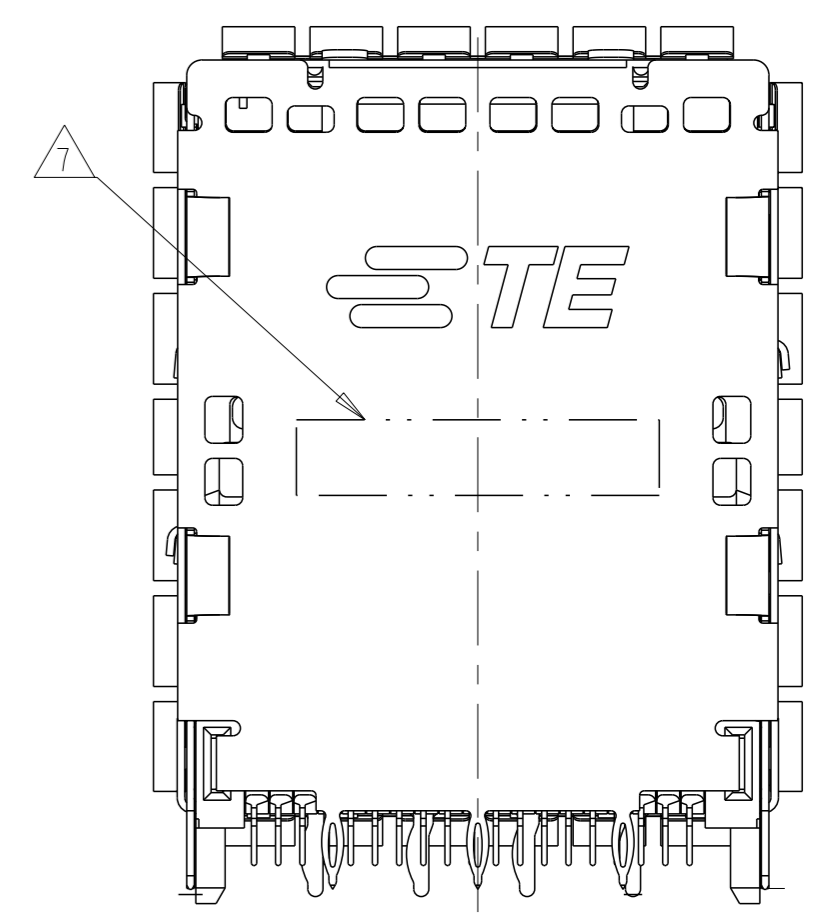
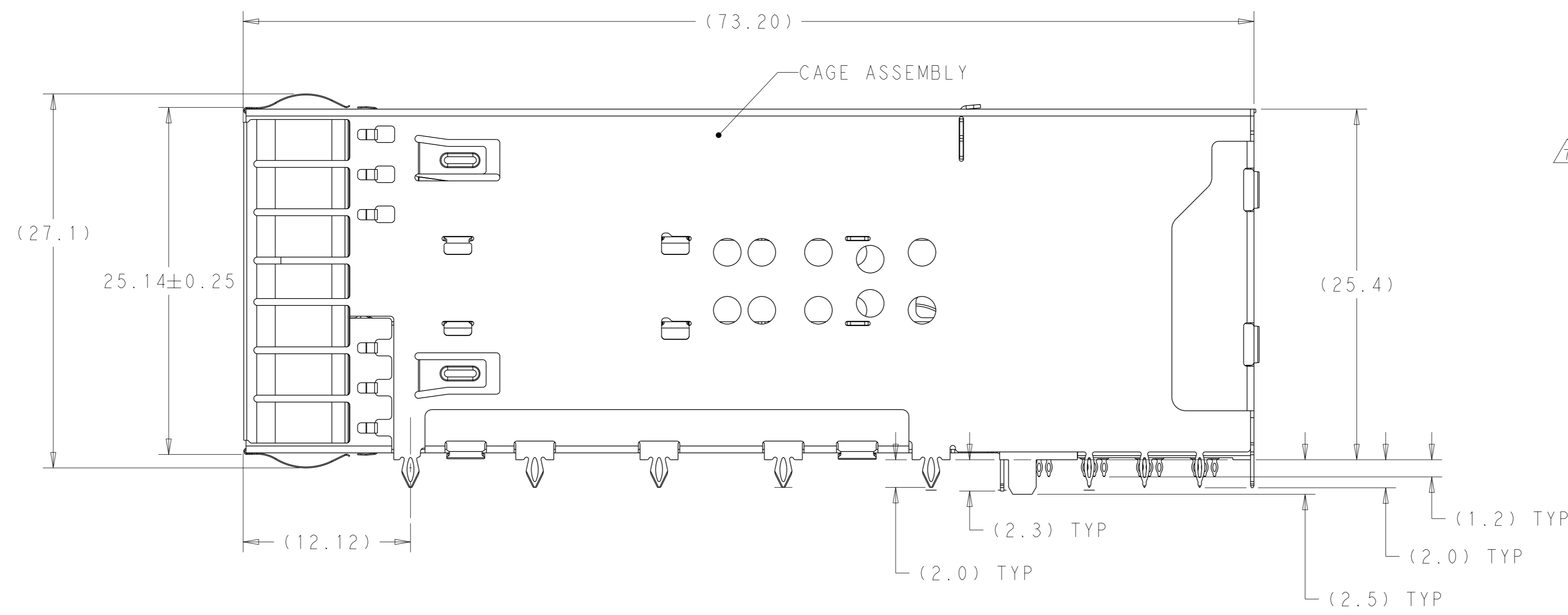
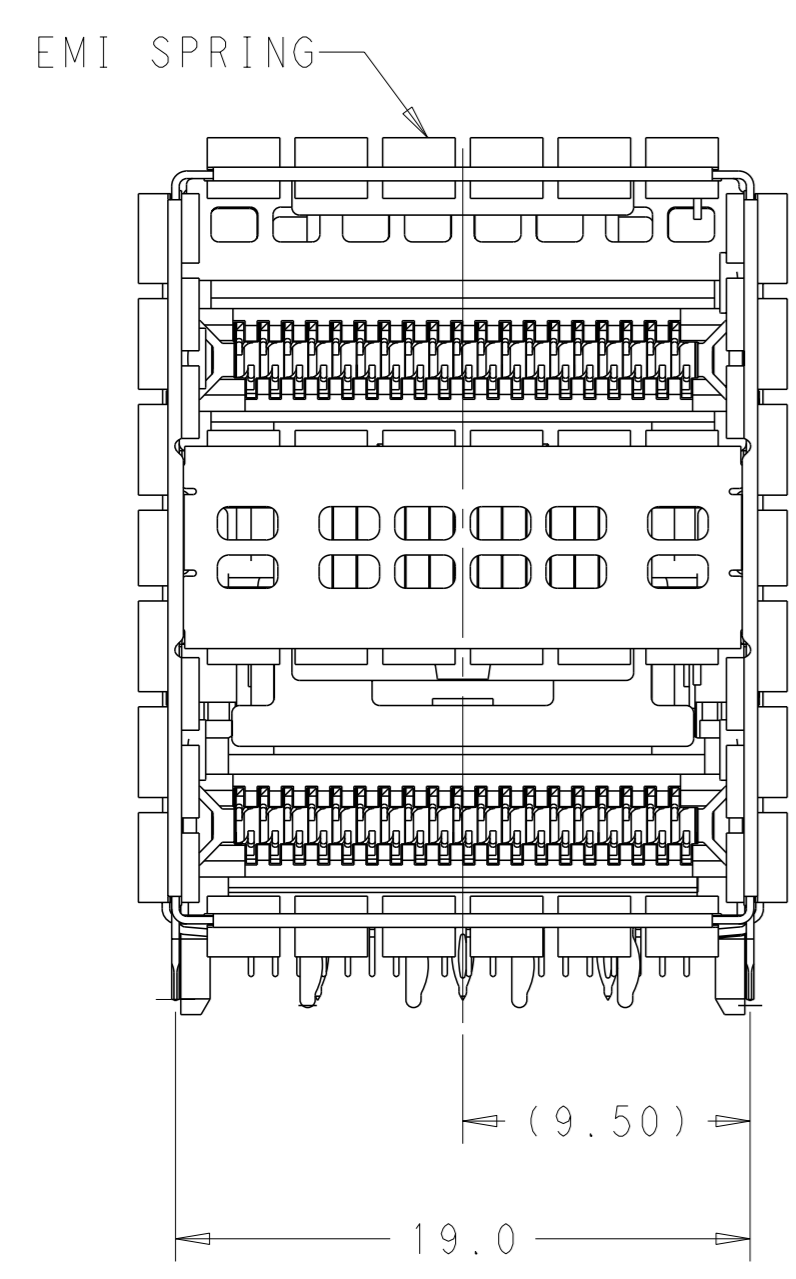


LOC	DIST	REVISIONS					
GP	00	#	LYR	DESCRIPTION	DATE	OWN	APVD
		A		RELEASED FOR PRODUCTION	02MAR2016	TX	SH
		B		REVISED PER ECO-18-007430	14MAY2018	TX	SH
		C		REVISED PER ECO-19-002273	24FEB2019	TX	SH



- MATERIALS:
 CAGE ASSEMBLY- NICKEL SILVER ALLOY PER ASTM B 122.
 EMI SPRING- COPPER ALLOY, NICKEL PLATED.
 HOUSING- POLYESTER LCP WITH 94V-0.
 CHICKLET- POLYESTER LCP WITH 94V-0.
 CONTACT- COPPER ALLOY.
 LIGHTPIPE- POLYCARBONATE WITH 94V-0.
- CONTACT FINISH: 0.76µm GOLD ON MATING END, 0.7-1.5µm MATT TIN ON COMPLIANT AREA, ALL OVER 1.27µm NICKEL.
- DATUM AND BASIC DIMENSION ESTABLISHED BY CUSTOMER.
- MINIMUM PCB THICKNESS OF 1.57.
- THE ENTIRE AREA OF THE CONNECTOR FOOTPRINT, INDICATED BY THE DASHED LINE, TO BE CONSIDERED THE KEEPOUT AREA FOR COMPONENTS.
- CROSS-HATCHED AREAS REPRESENT ZONES ON THE PCB THAT COME IN CONTACT WITH OR BE IN CLOSE PROXIMITY TO THE PLASTIC HOUSING OR THE CONNECTOR CAGE. INDICATED AREAS TO BE CONSIDERED TRACE FREE.
- PART NUMBER AND DATE CODE MADE IN APPROXIMATE AREA SHOWN.
- CONTACT FINISH: 0.08µm MINIMUM GOLD OVER 0.68µm PALLADIUM-NICKEL ON MATING AREA, 0.7-1.5µm MATT TIN ON COMPLIANT AREA, ALL OVER 1.27µm NICKEL.
- HATCHED AREA IS PLACEMENT ZONE FOR LED. LED SHOULD BE CENTERED WITHIN ZONE. RECOMMEND 0805 PACKAGE.
- THE ORDER FOR LED LOACTION, CORRESPONDING TO THE LIGHT PIPES

CONTACT FINISH	DESCRIPTION	PART NUMBER
2	ROUND INDICATOR, 4LP(COATED)	2-2227669-1
2	LEFT INDICATOR UP	2-2227669-0
2	ROUND INDICATOR, 4LP	1-2227669-1
2	ALL INDICATOR DOWN, 4LP	1-2227669-0
2	LEFT INDICATOR DOWN, 4LP	2227669-9
2	LEFT INDICATOR UP, 4LP	2227669-8
2	ALL INDICATOR UP, 4LP	2227669-7
8	LEFT INDICATOR DOWN	2227669-6
8	LEFT INDICATOR UP	2227669-5
8	NO LIGHT PIPE	2227669-4
2	LEFT INDICATOR DOWN	2227669-3
2	LEFT INDICATOR UP	2227669-2
2	NO LIGHTPIPE	2227669-1

THIS DRAWING IS A CONTROLLED DOCUMENT. OWN: M. SHIRK 16JAN2013, CHK: D. SZCZESNY 16JAN2013, APVD: -

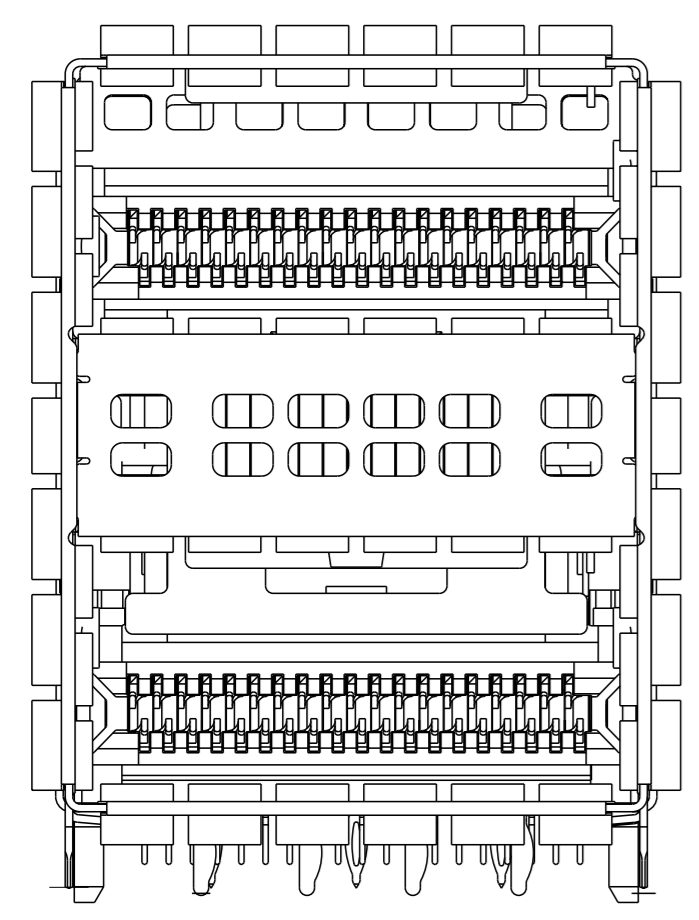
DIMENSIONS: mm. TOLERANCES UNLESS OTHERWISE SPECIFIED: 0 PLC ±, 1 PLC ±0.25, 2 PLC ±0.15, 3 PLC ±, 4 PLC ±, ANGLES FINISH ±.

MATERIAL: SEE NOTE 1. WEIGHT: -.

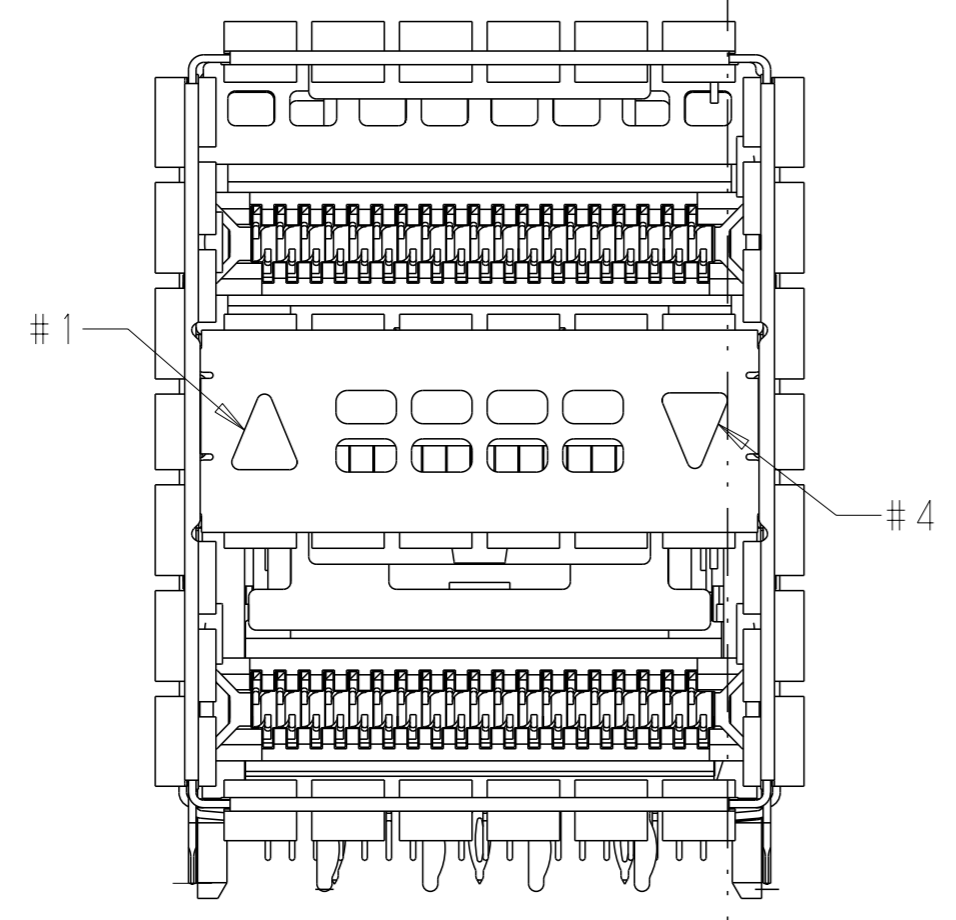
CUSTOMER DRAWING. SCALE: 4:1. SHEET 1 OF 6. REV C1.

TE Connectivity. CAGE AND CONNECTOR ASSEMBLY, WITH EMI SPRING FINGERS, THRU BEZEL, 2X1, ZQSFP+ STACKED. SIZE: 114-60015. CAGE CODE DRAWING NO: A100779. ©=2227669.

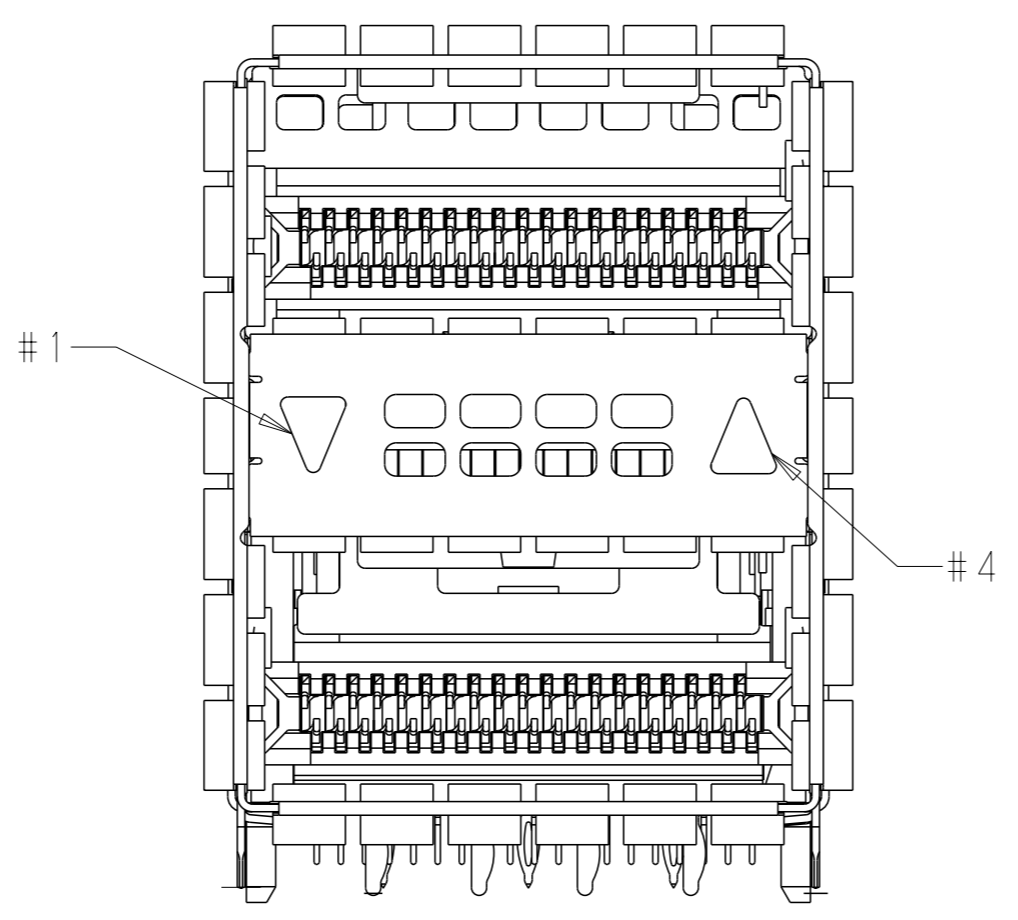
LOC		DIST		REVISIONS			
GP	00	P	LY#	DESCRIPTION	DATE	OWN	APVD
		-		SEE SHEET 1			



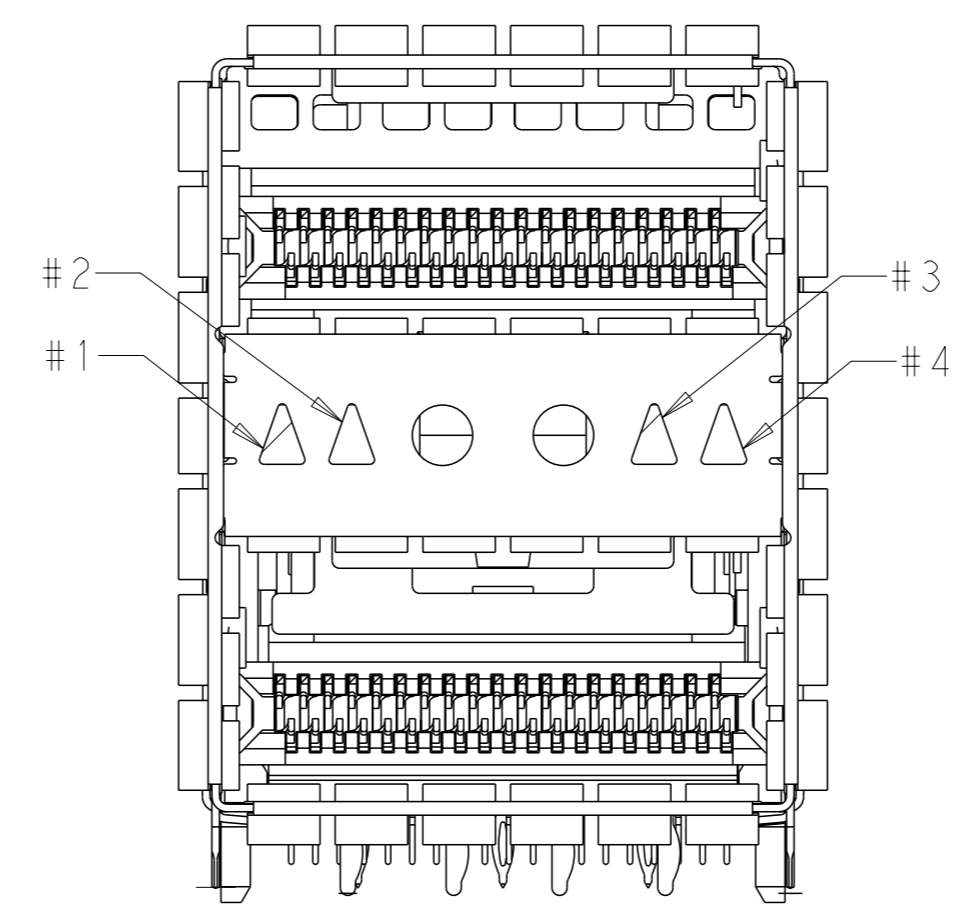
2227669-1
 2227669-4
 NO LIGHTPIPE IN ASSEMBLY



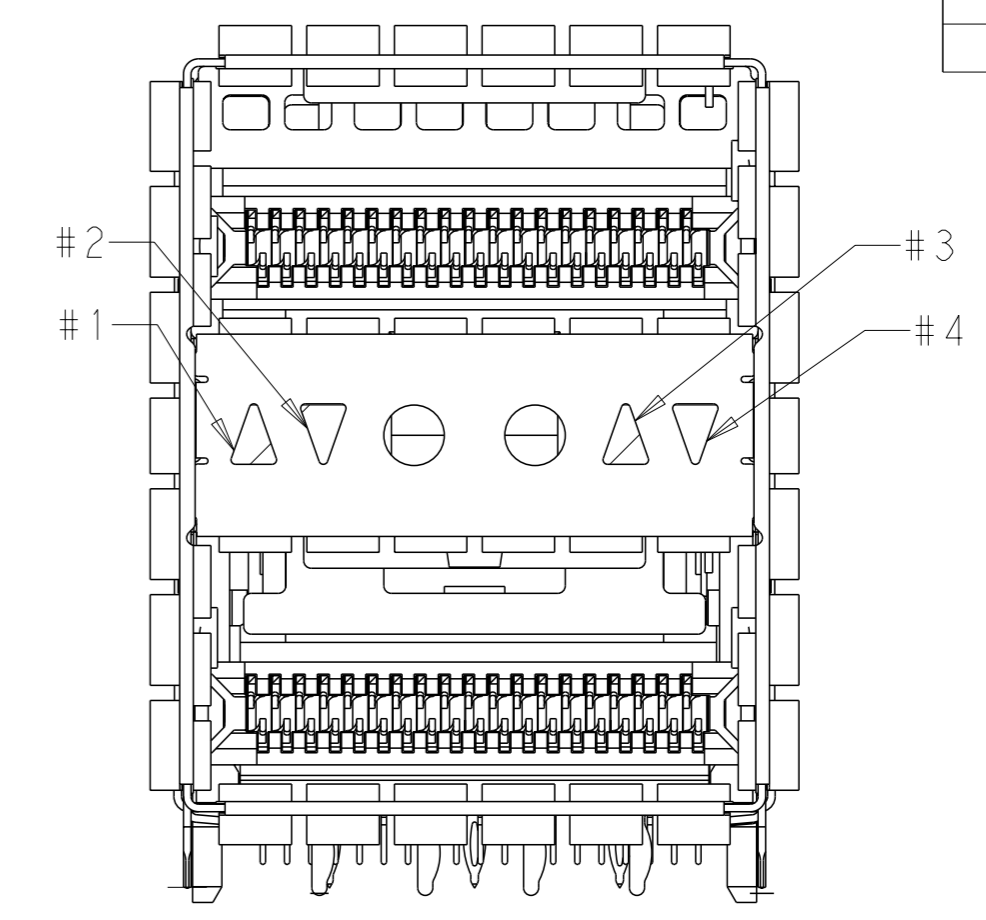
2227669-2
 2227669-5
 LEFT INDICATOR UP



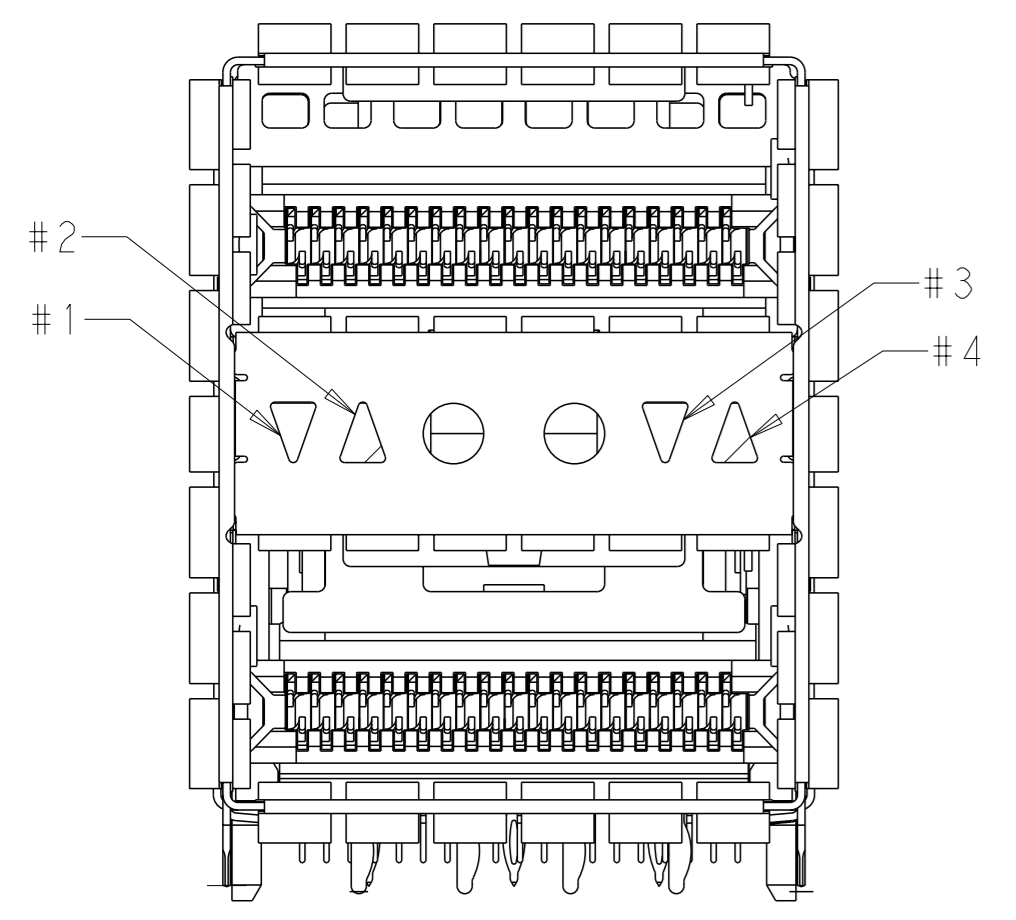
2227669-3
 2227669-6
 LEFT INDICATOR DOWN



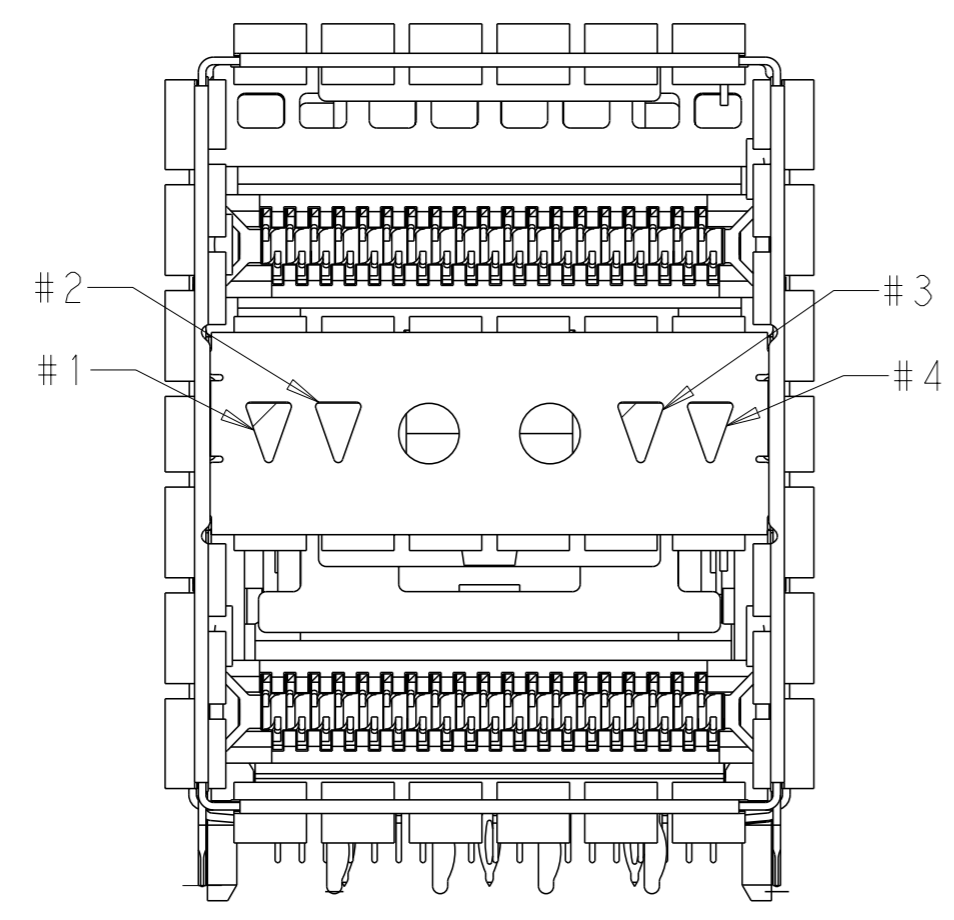
2227669-7
 ALL INDICATOR UP, 4LP



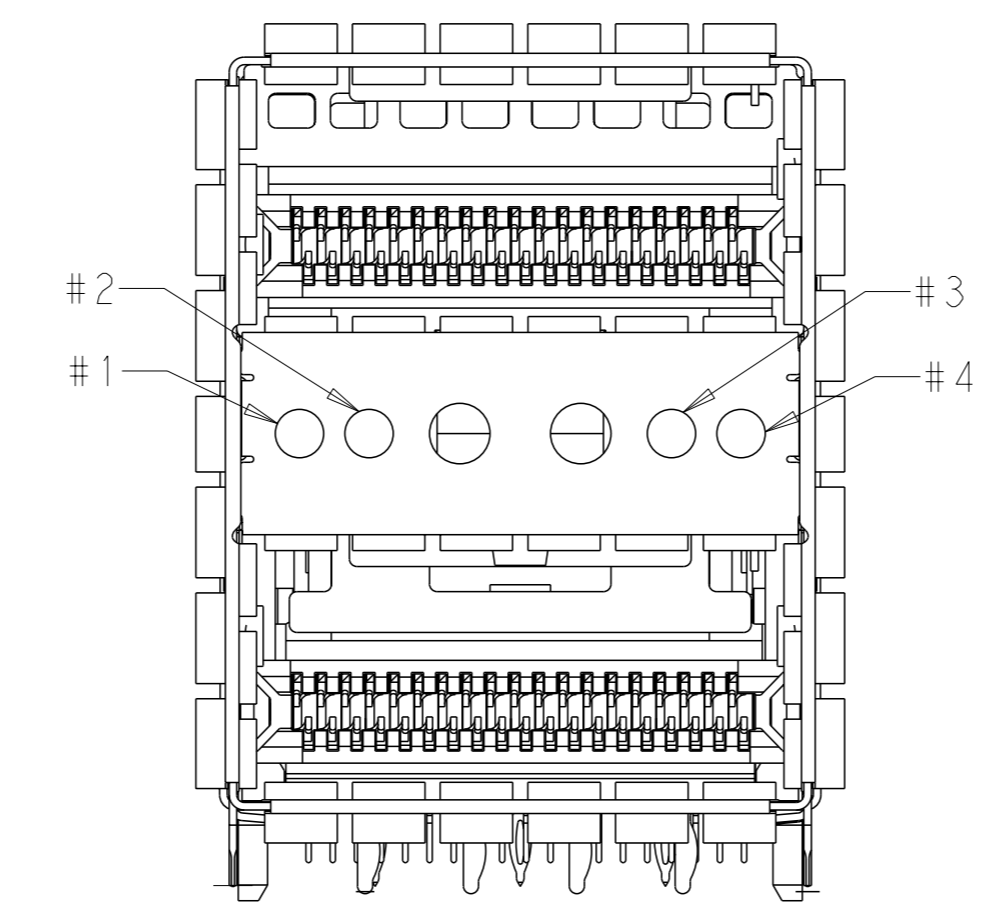
2227669-8
 LEFT INDICATOR UP, 4LP



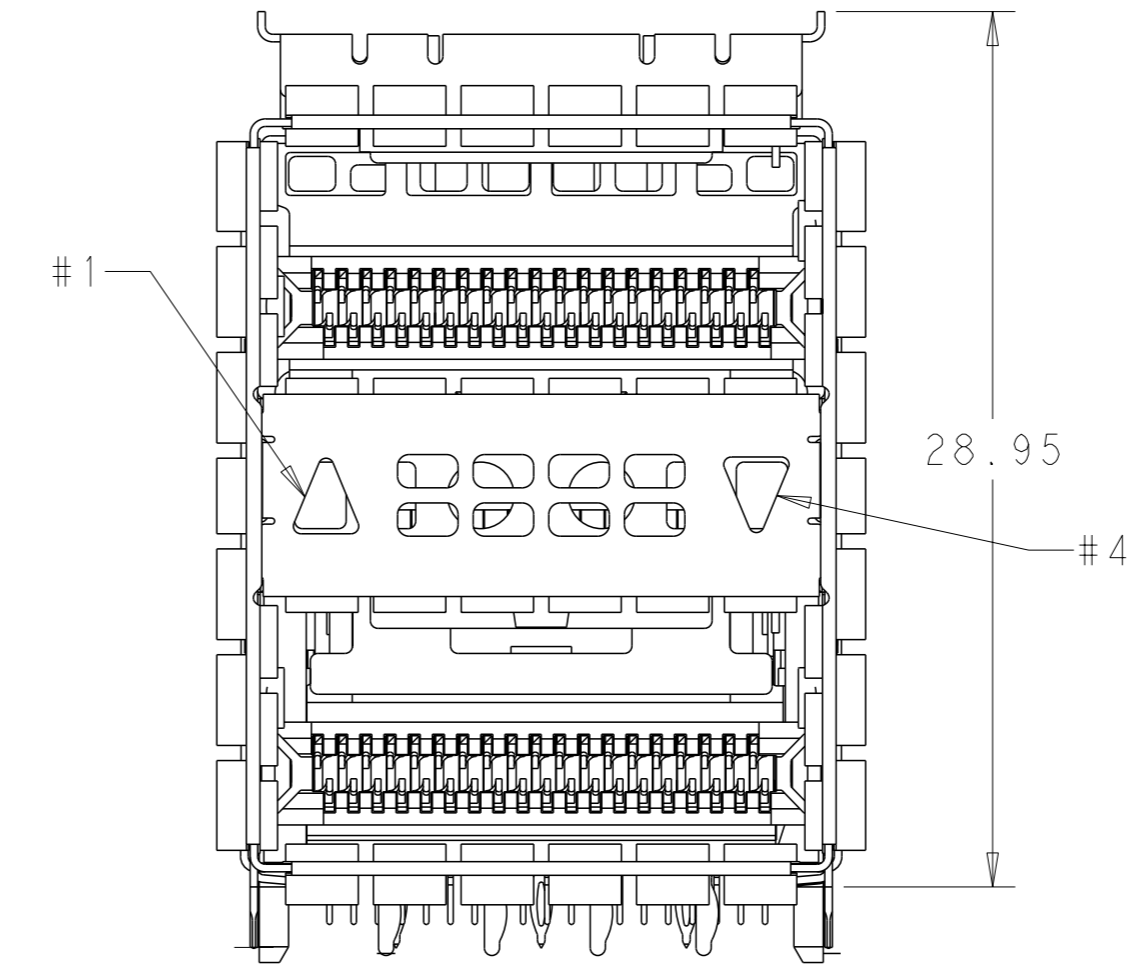
2227669-9
 LEFT INDICATOR DOWN, 4LP



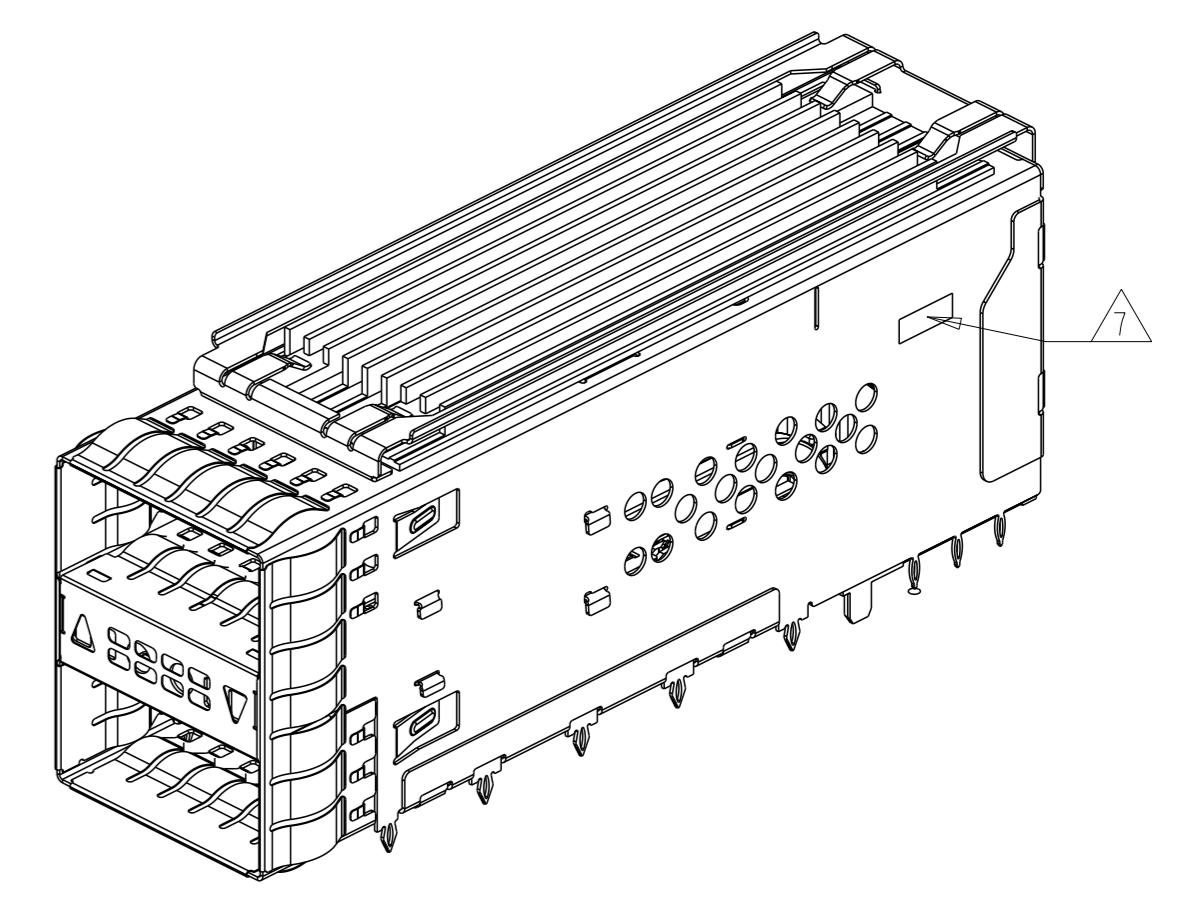
1-2227669-0
 ALL INDICATOR DOWN, 4LP



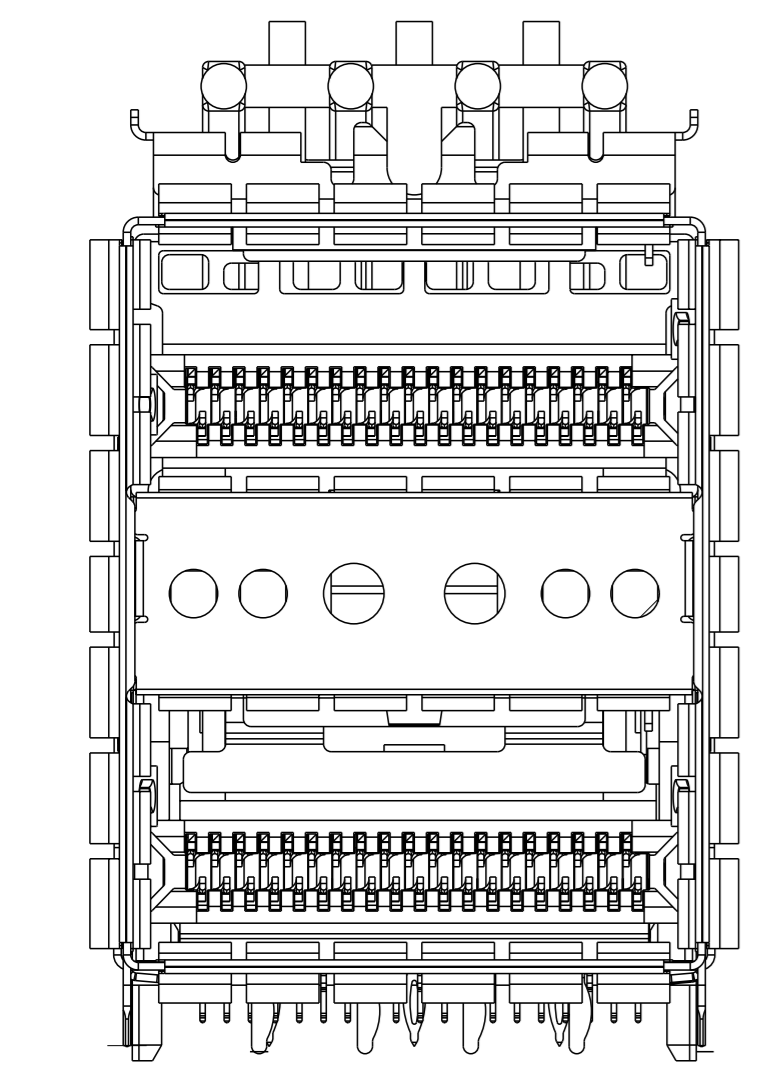
1-2227669-1
 ROUND SHAPE INDICATORS, 4LP



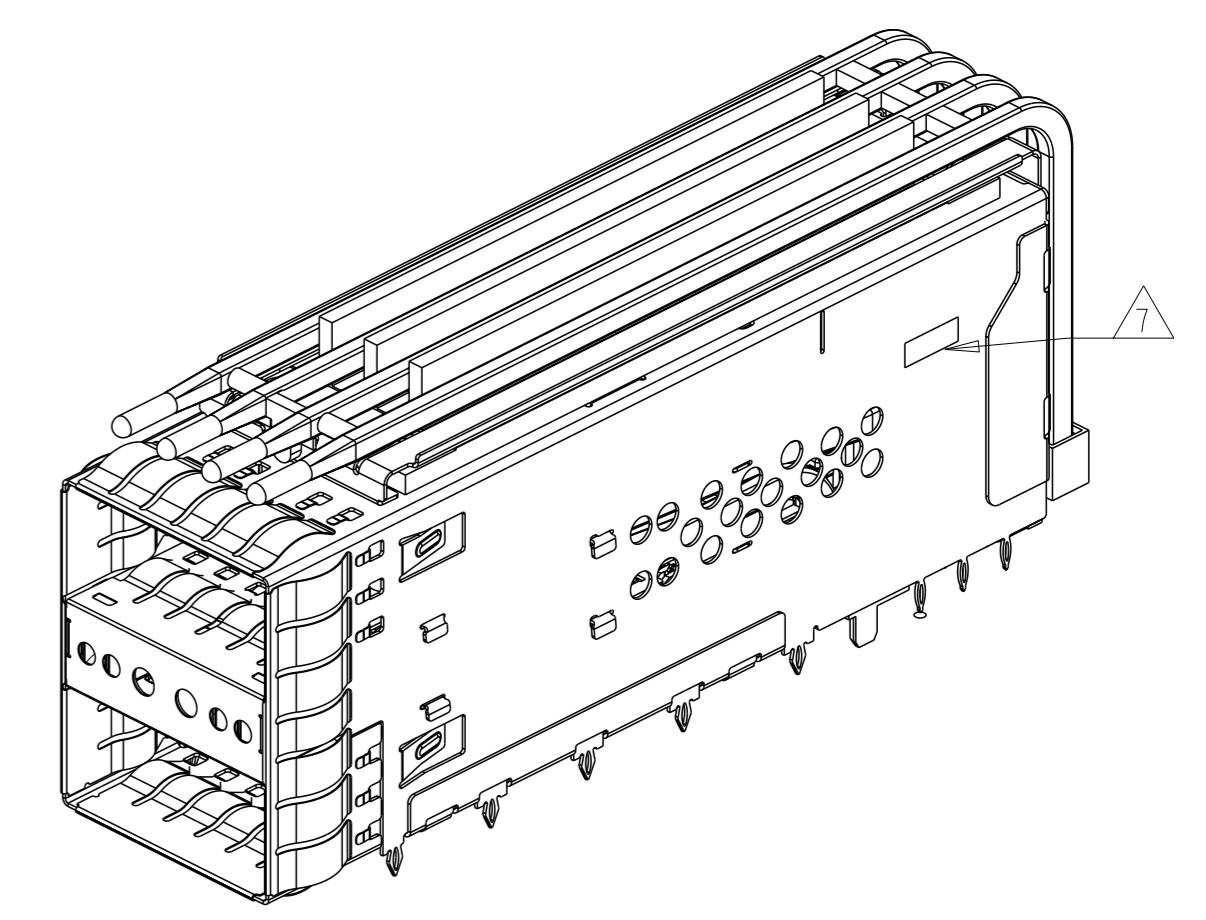
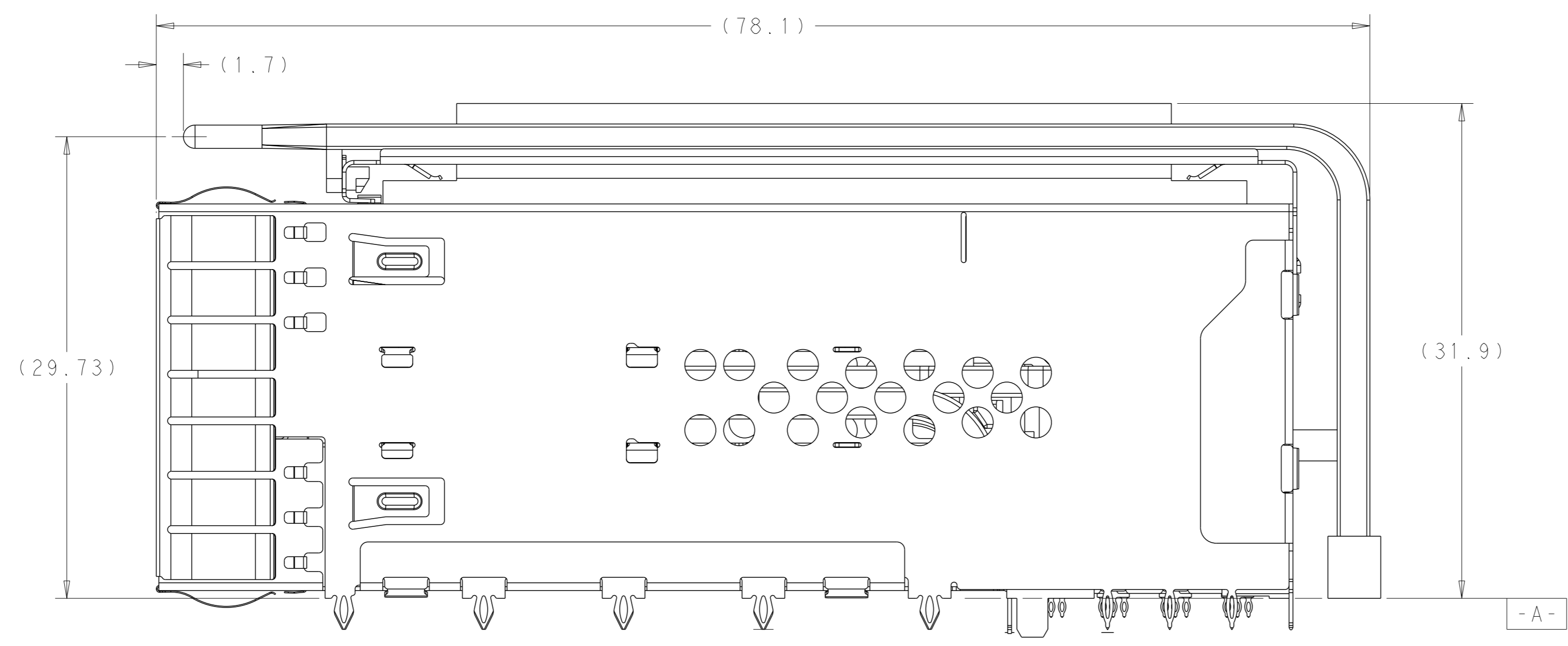
2-2227669-0
 LEFT INDICATOR UP
 SCALE 4:1



2-2227669-0
 SCALE 2:1



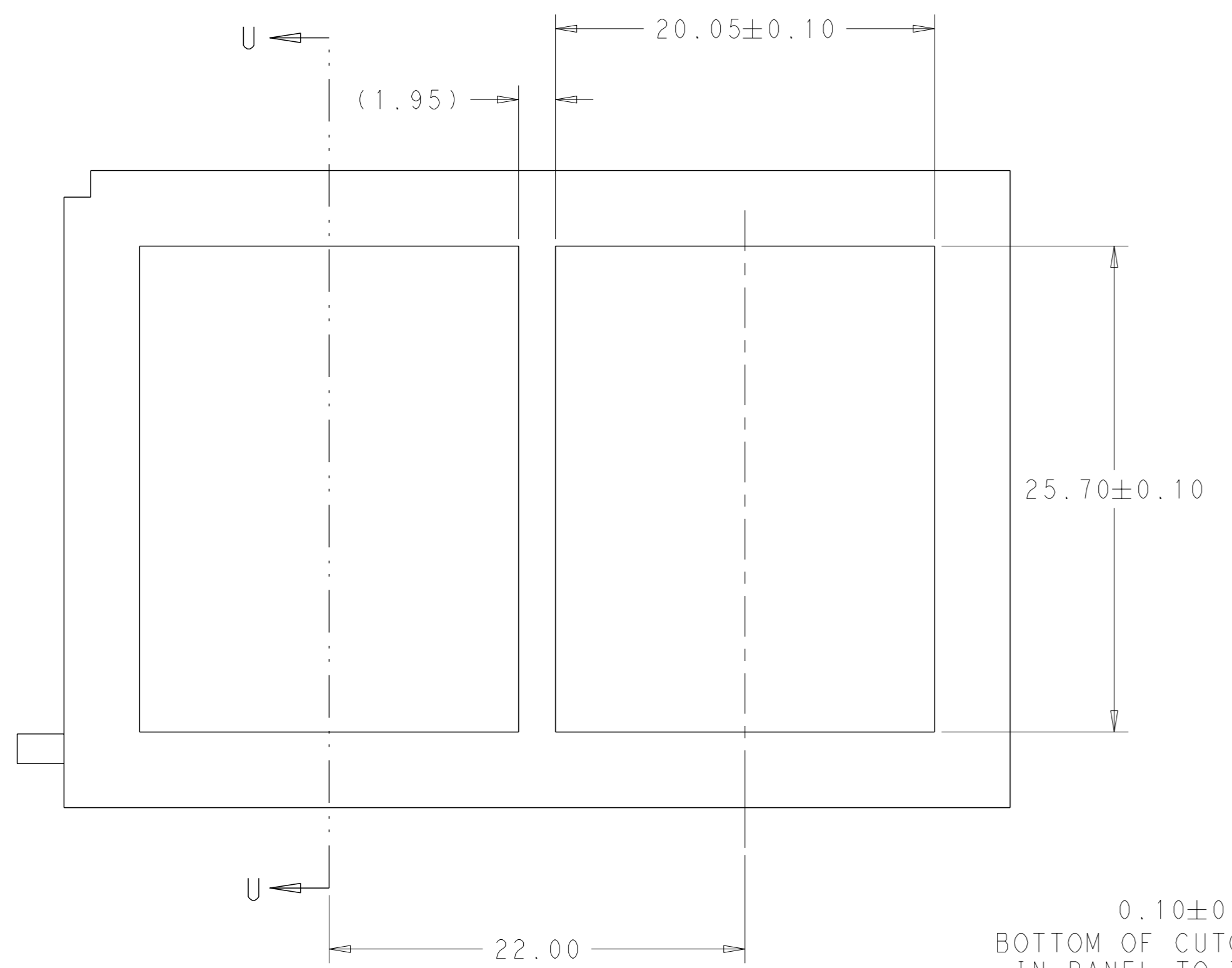
2-2227669-1
 SCALE 4:1



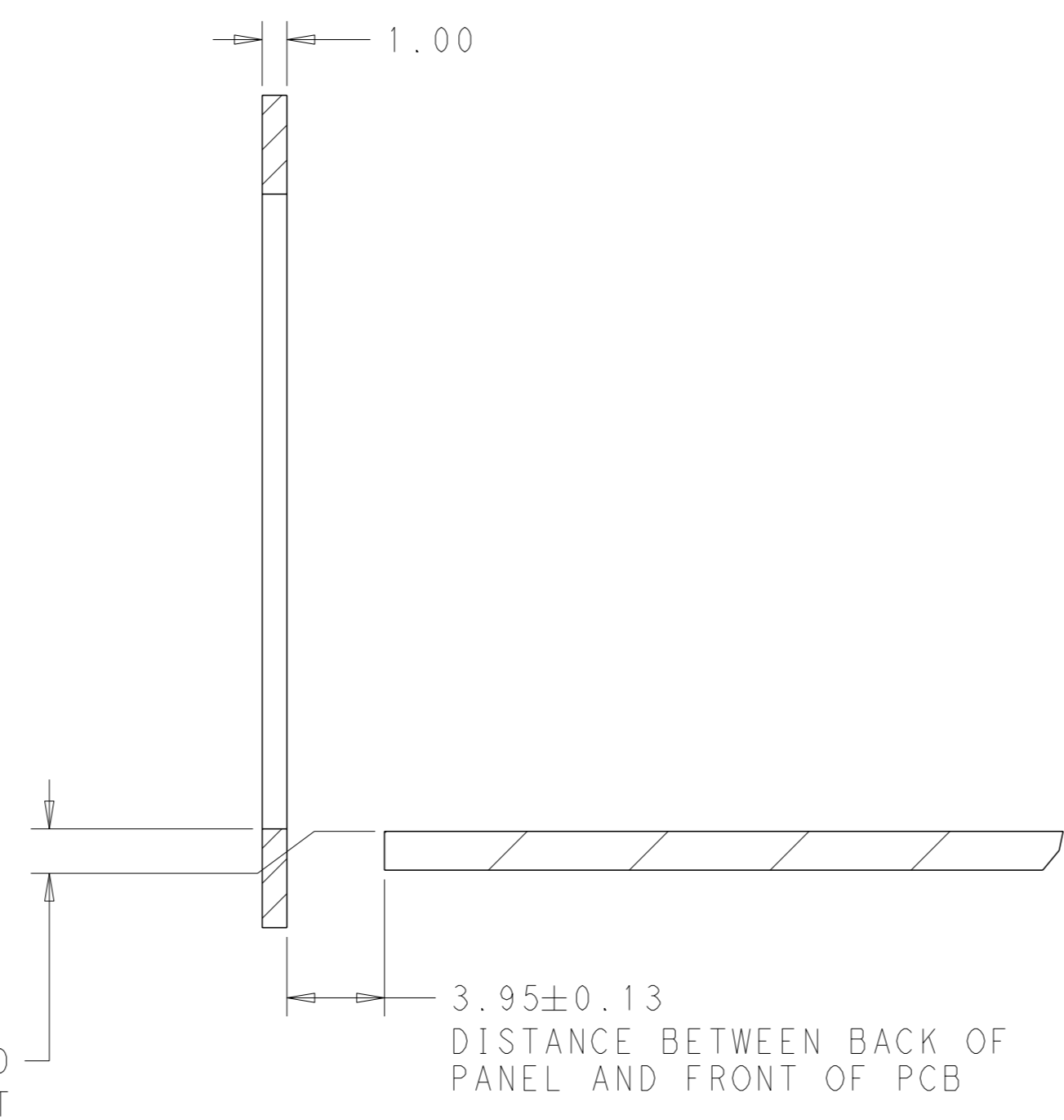
2-2227669-1
 SCALE 2:1

THIS DRAWING IS A CONTROLLED DOCUMENT.		OWN	M. SHIRK	16JAN2013	NAME	CAGE AND CONNECTOR ASSEMBLY, WITH EM SPRING FINGERS, THRU BEZEL, 2X1, ZQSFP+ STACKED
DIMENSIONS:		CHK	D. SZCZESNY	16JAN2013		
mm	0 PLC ±	APVD			APPLICATION SPEC	RESTRICTED TO
	1 PLC ±0.25	CAGE CODE		114-60015	DRAWING NO	
	2 PLC ±0.15	DRAWING NO		A100779	C=2227669	
	3 PLC ±	SCALE		4:1	SHEET	2 OF 6
	4 PLC ±	REV		C1		
MATERIAL	FINISH	WEIGHT				
SEE NOTE 1		CUSTOMER DRAWING				

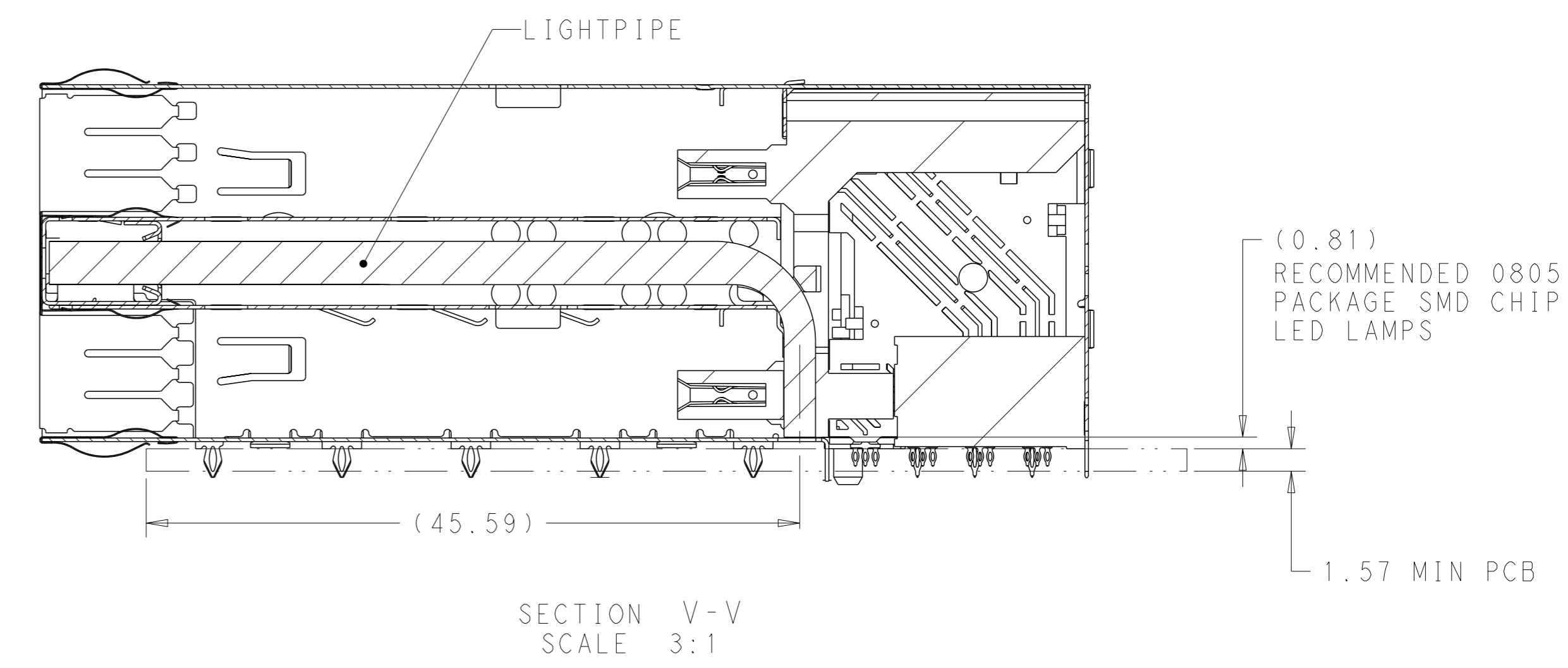
LOC	DIST	REVISIONS			
P	LYR	DESCRIPTION	DATE	OWN	APVD
GP	00	SEE SHEET 1	-	-	-



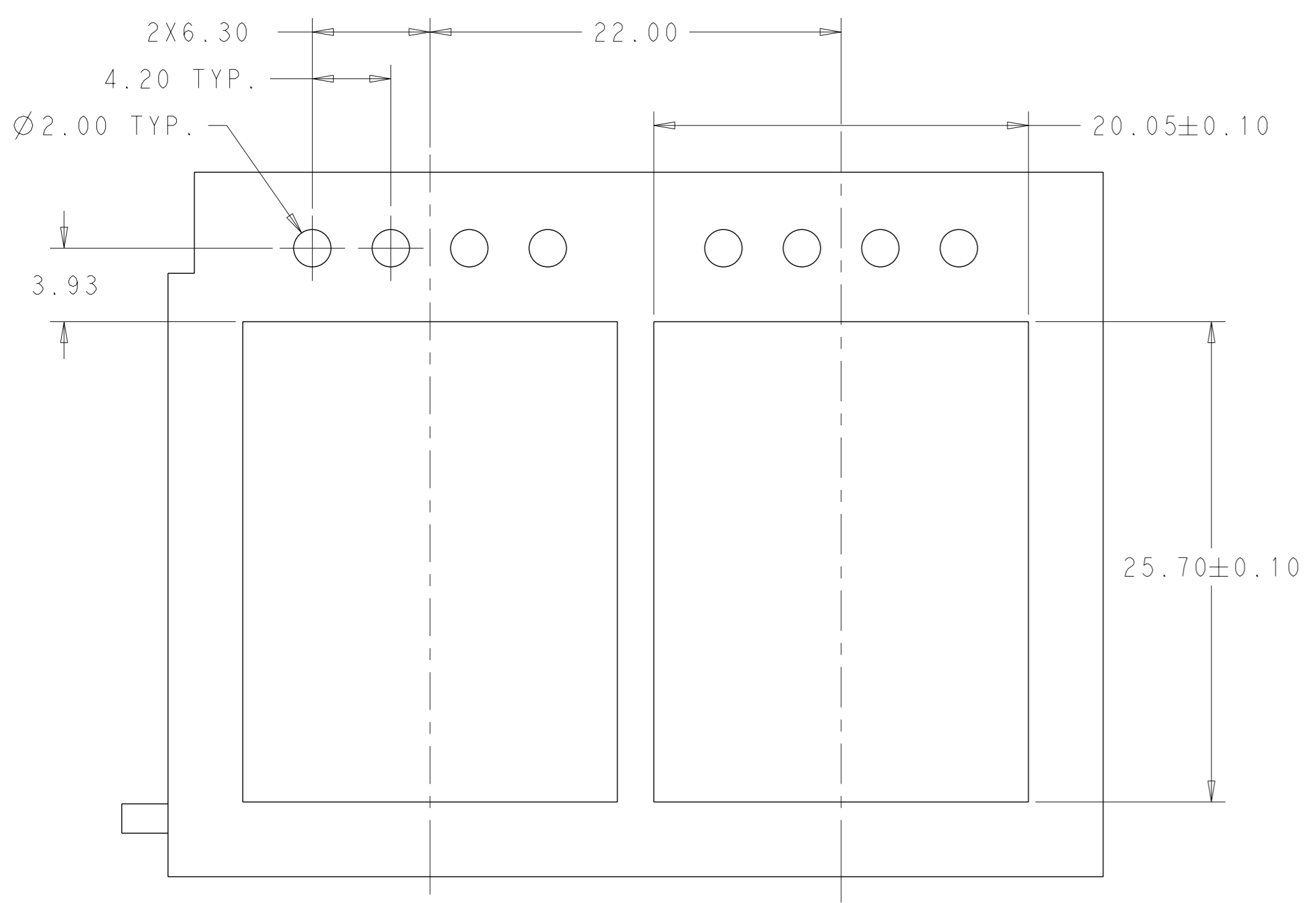
RECOMMENDED PANEL CUTOUT AND PC BOARD, PANEL POSITION



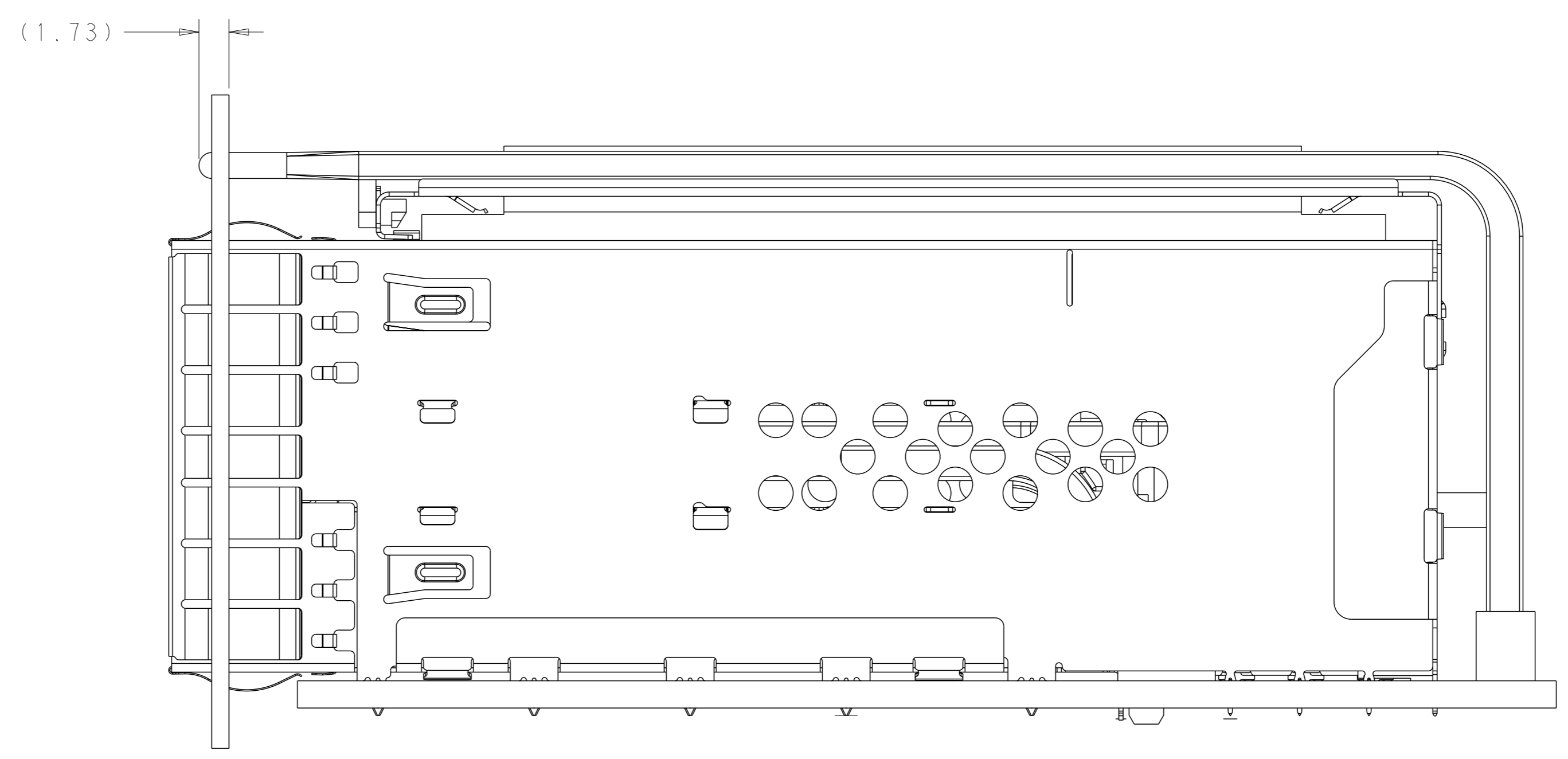
SECTION U-U



SECTION V-V
SCALE 3:1

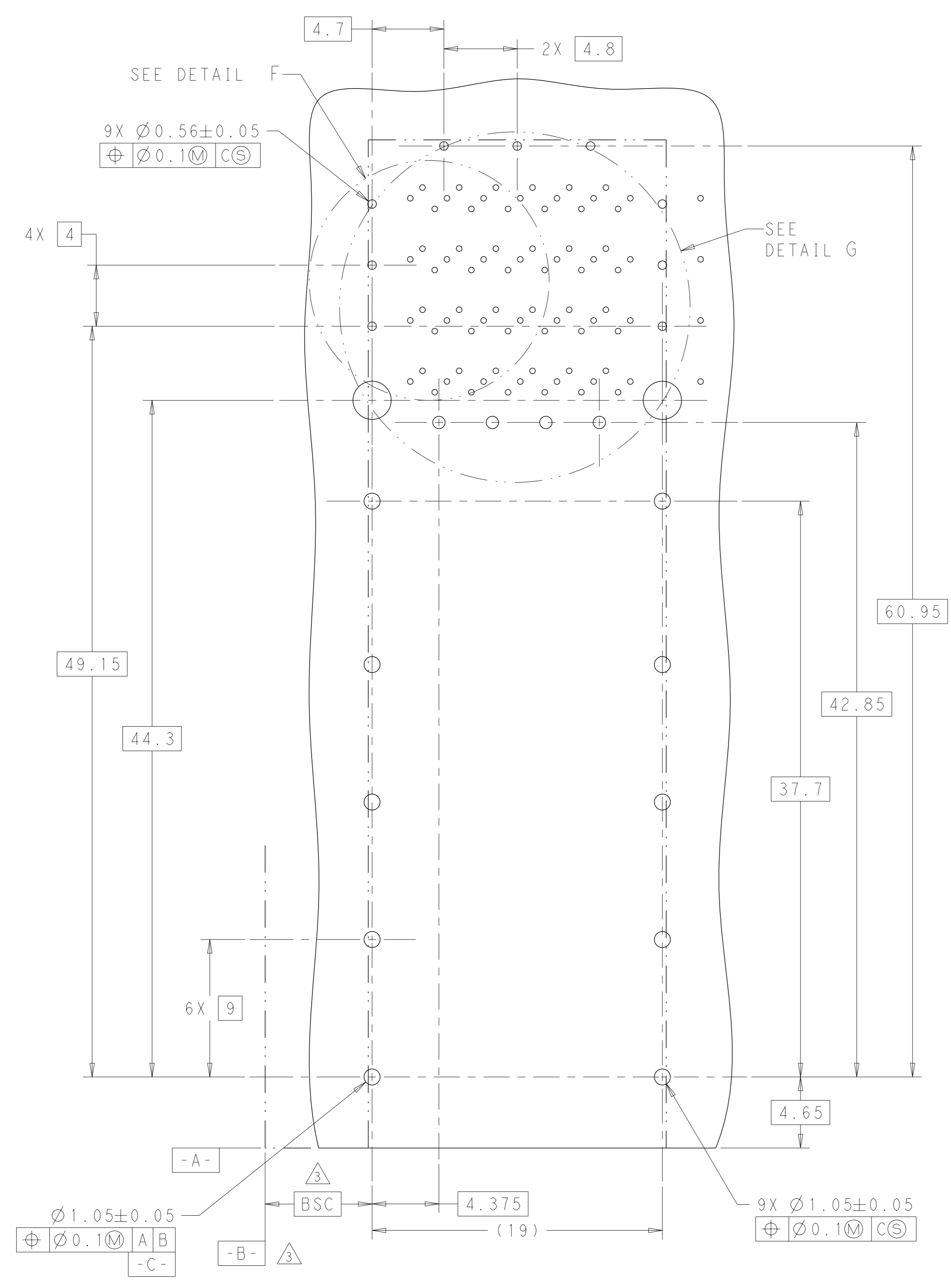


RECOMMENDED PANEL CUTOUT AND PC BOARD, PANEL POSITION FOR 2-2227669-1
SCALE 4:1

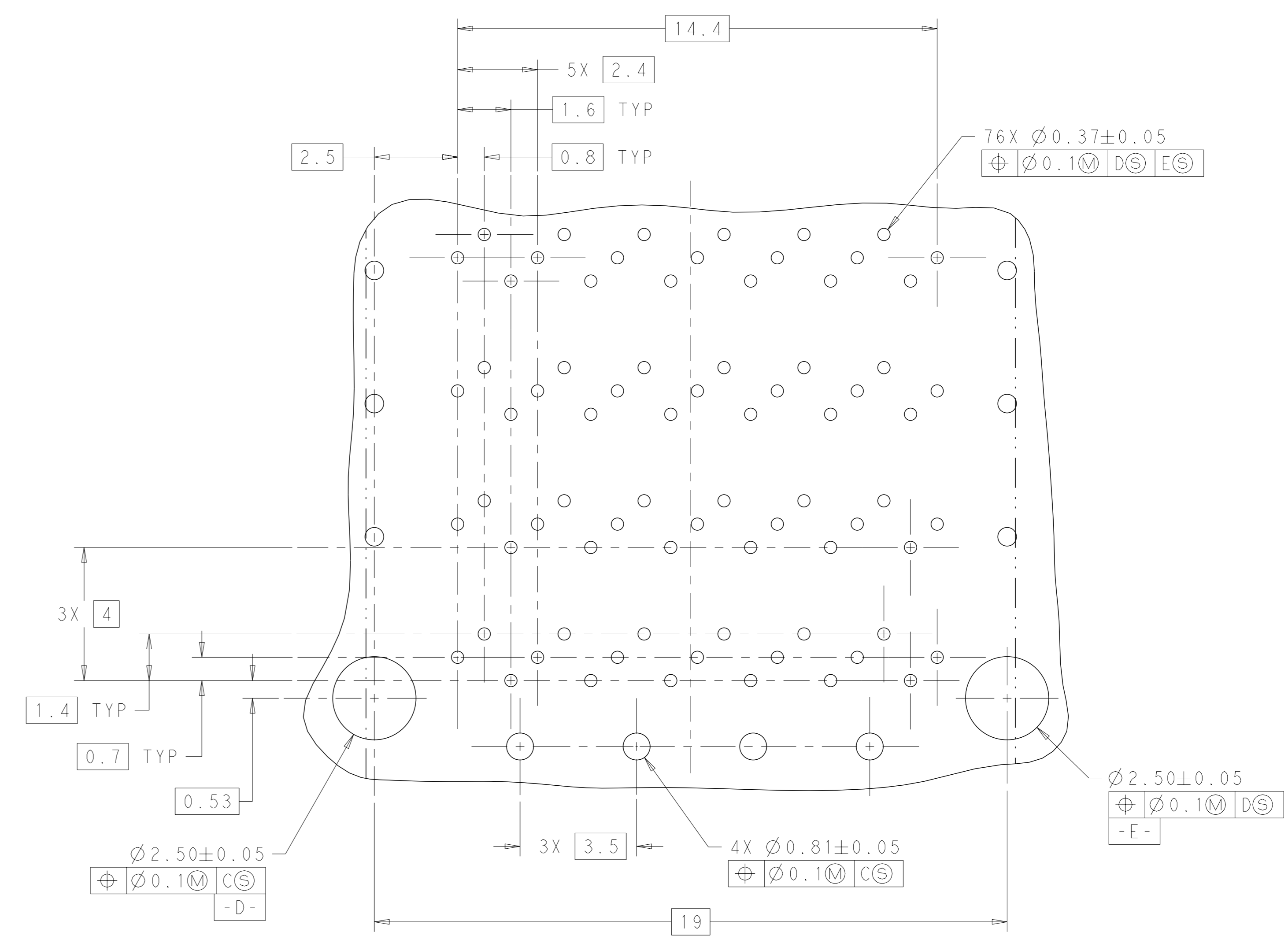


THIS DRAWING IS A CONTROLLED DOCUMENT.		OWN: M. SHIRK 16JAN2013	TE Connectivity
DIMENSIONS: mm		CHK: D. SZCZESNY 16JAN2013	
TOLERANCES UNLESS OTHERWISE SPECIFIED:		APVD: -	NAME: CAGE AND CONNECTOR ASSEMBLY, WITH EMI SPRING FINGERS, THRU BEZEL, 2X1, ZQSFP+ STACKED
0 PLC ±	1 PLC ±0.25	PRODUCT SPEC	108-60102
2 PLC ±0.15	3 PLC ±	APPLICATION SPEC	114-60015
4 PLC ±	ANGLES ±	SIZE	A100779
FINISH	WEIGHT	CAGE CODE	DRAWING NO. 2227669
SEE NOTE 1	CUSTOMER DRAWING	SCALE	4:1
		SHEET	3 OF 6
		REV	C1

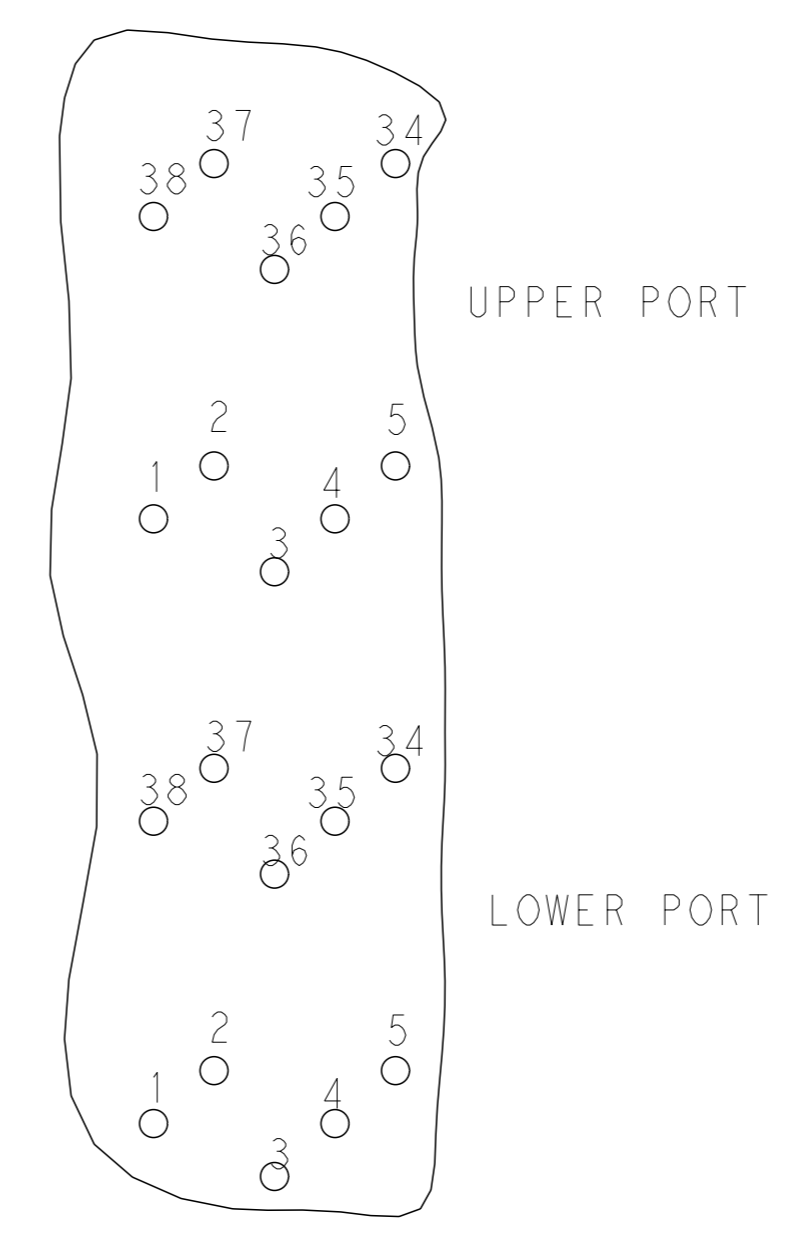
LOC	DIST	REVISIONS			
GP	00	REV	DATE	OWN	APVD
		1	SEE SHEET 1		



RECOMMENDED PC BOARD LAYOUT
 COMPONENT SIDE OF BOARD
 SCALE 5:1
 (PCB TOLERANCE: ±0.05)



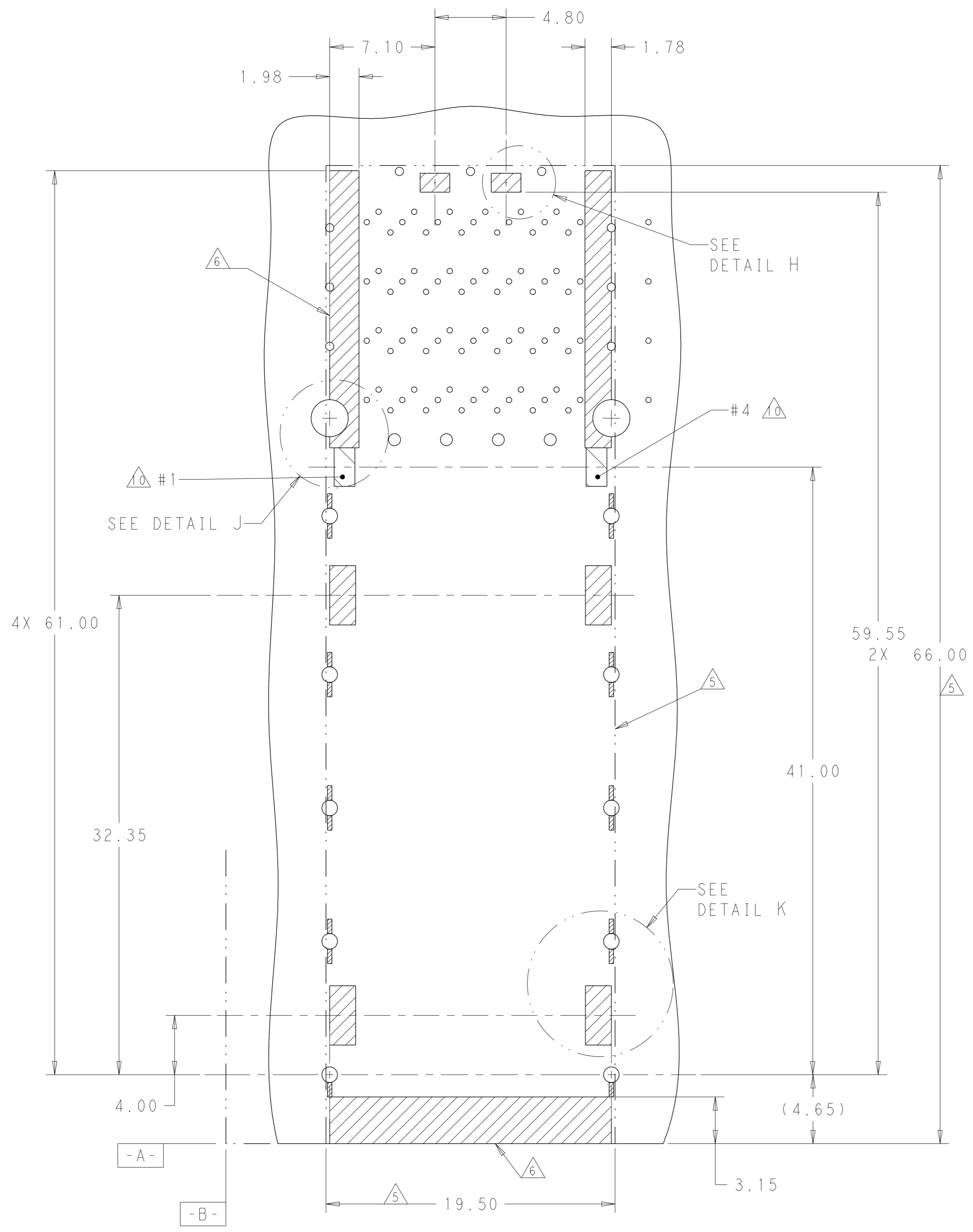
DETAIL G
 SCALE 10:1



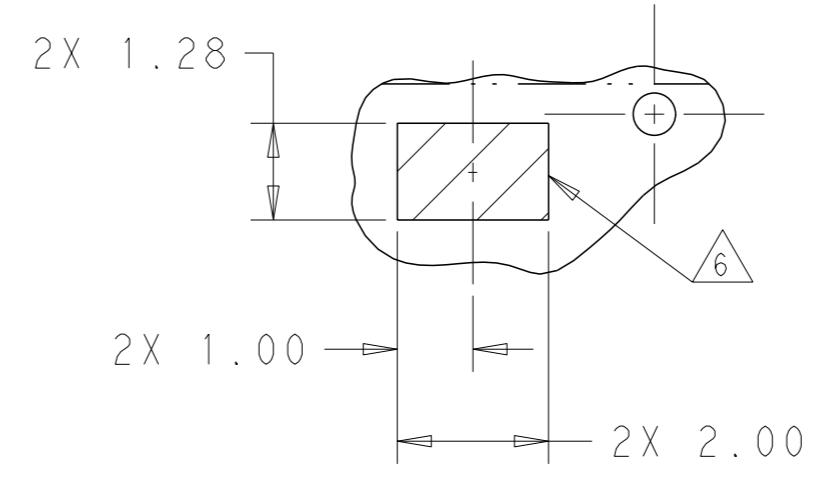
DETAIL F
 SCALE 10:1
 PIN ASSIGNMENTS

THIS DRAWING IS A CONTROLLED DOCUMENT.		OWN: M. SHIRK 16JAN2013	TE Connectivity
DIMENSIONS: mm		CHK: D. SZCZESNY 16JAN2013	
TOLERANCES UNLESS OTHERWISE SPECIFIED:		APVD: -	NAME: CAGE AND CONNECTOR ASSEMBLY, WITH EMI SPRING FINGERS, THRU BEZEL, 2X1, ZQSFP+ STACKED
0 PLC ±	1 PLC ±0.25	PRODUCT SPEC: 108-60102	SIZE: 114-60015
2 PLC ±0.15	3 PLC ±	APPLICATION SPEC: -	RESTRICTED TO: -
4 PLC ±	5 PLC ±	WEIGHT: -	SCALE: 4:1
ANGLES ±	FINISH ±	CUSTOMER DRAWING: A100779C=2227669	SHEET 4 OF 6
MATERIAL: SEE NOTE 1		REV: C1	

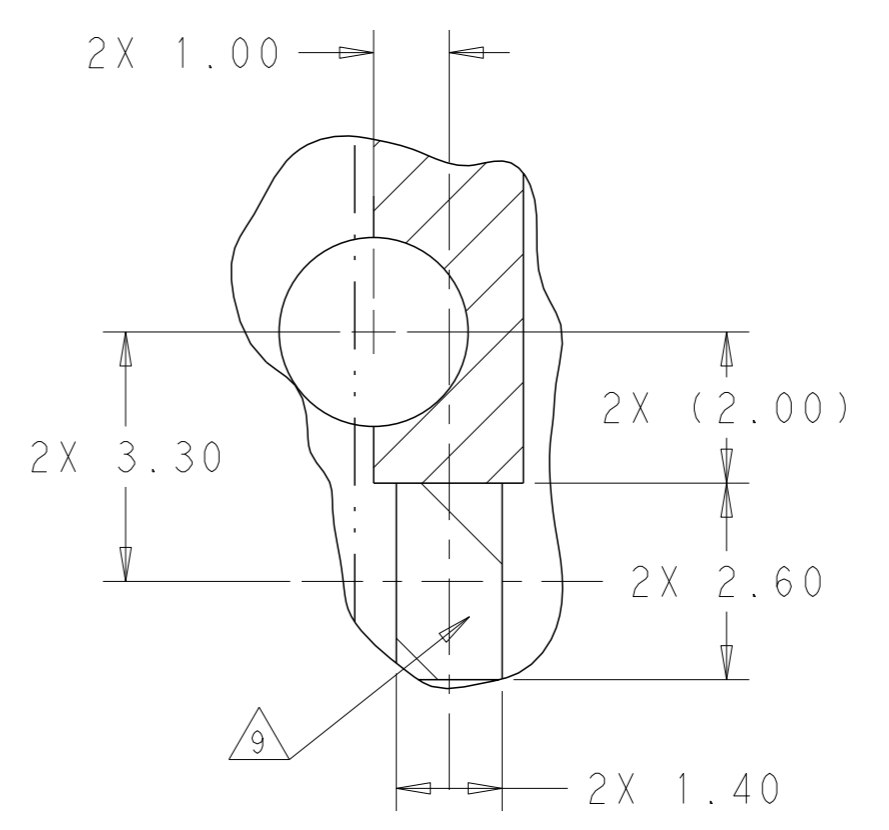
LOC	DIST	REVISIONS			
P	LYR	DESCRIPTION	DATE	OWN	APVD
GP	00	SEE SHEET 1			



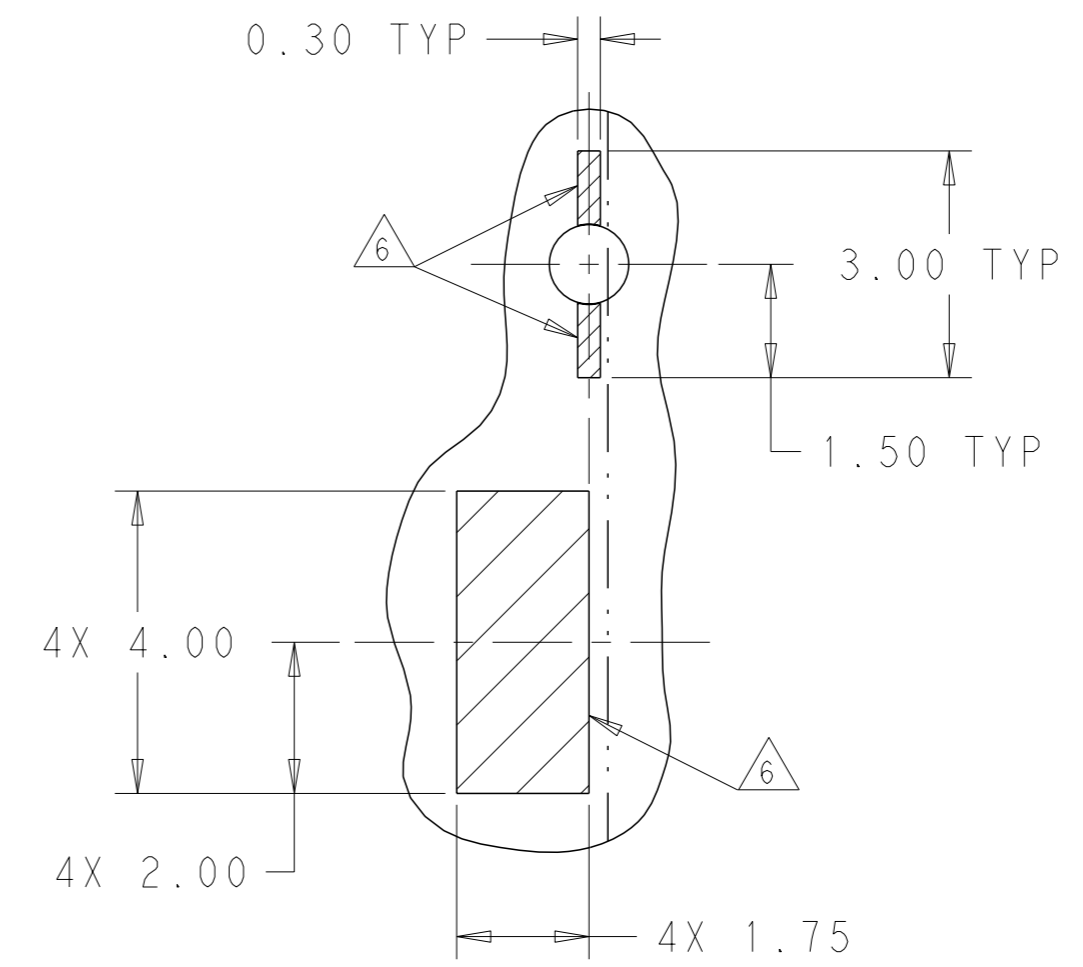
KEEPOUT AREAS FOR 2LP APPLICATION
 COMPONENT SIDE OF BOARD
 SCALE 5:1



DETAIL H
 SCALE 10:1



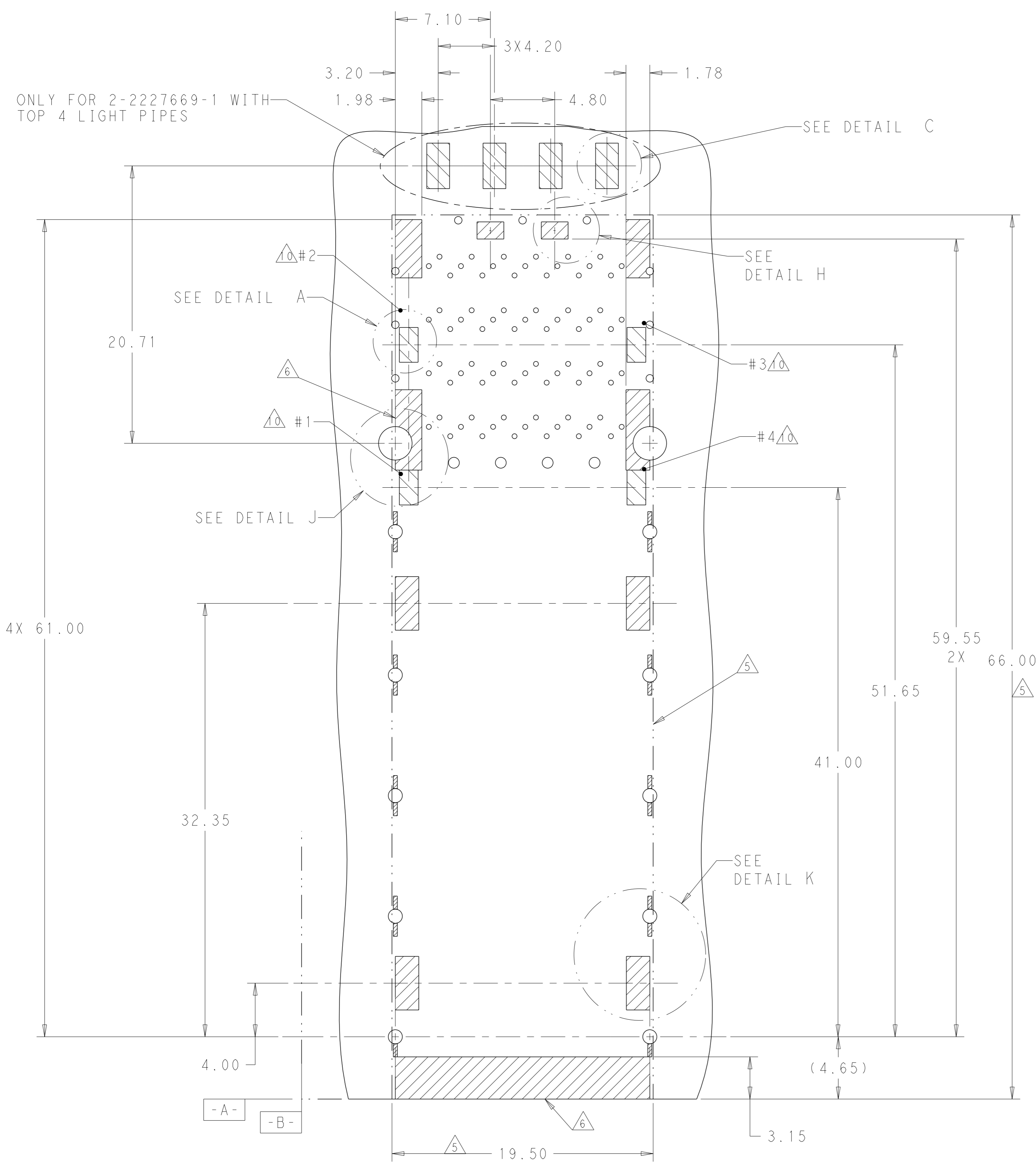
DETAIL J
 LED PADS
 SCALE 10:1



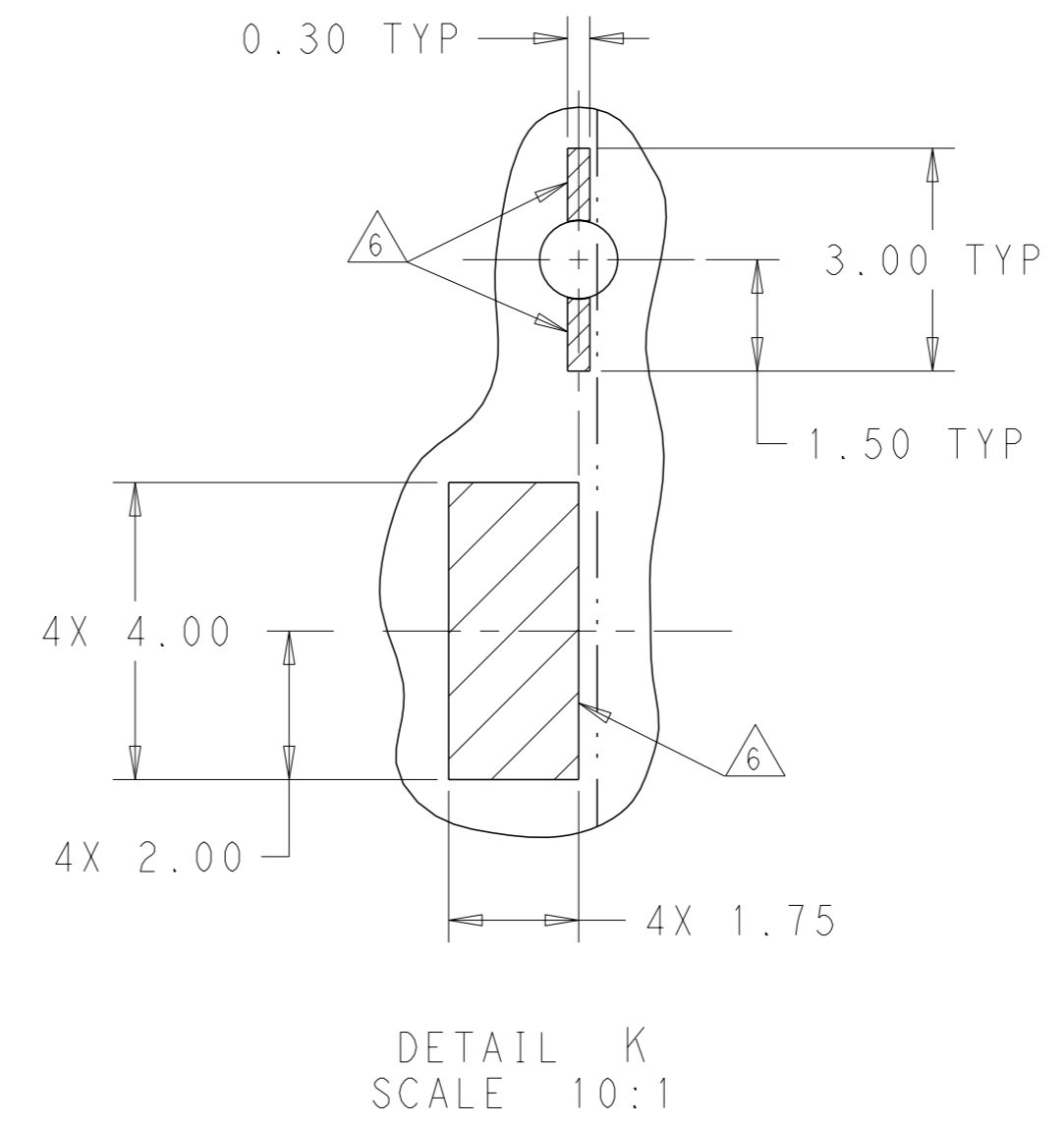
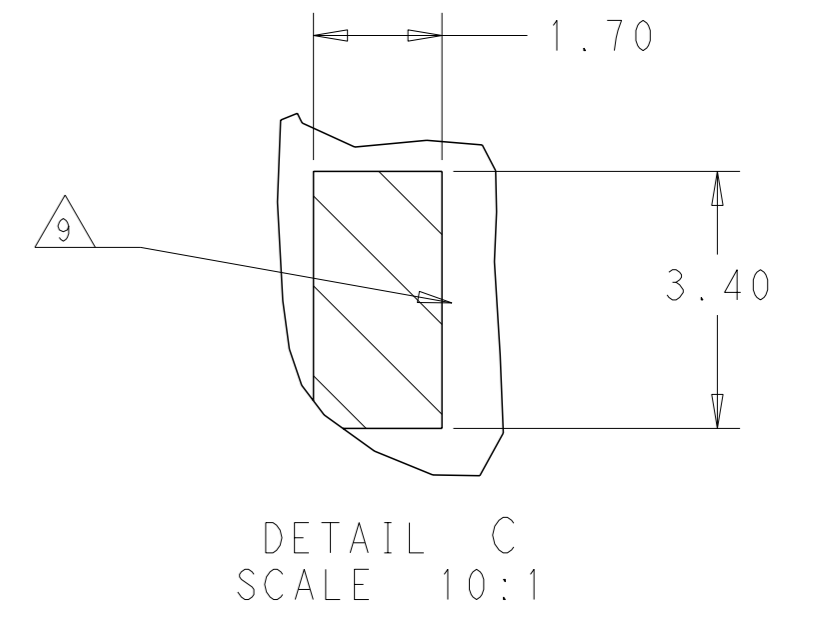
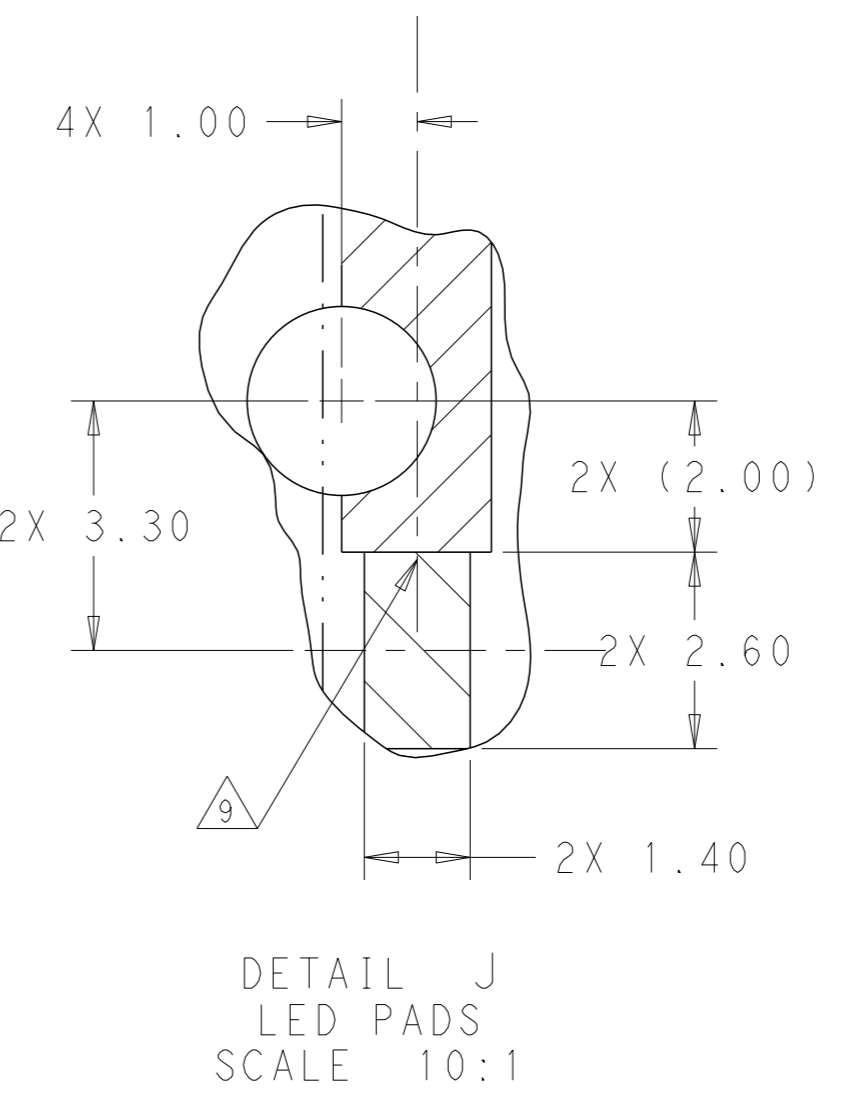
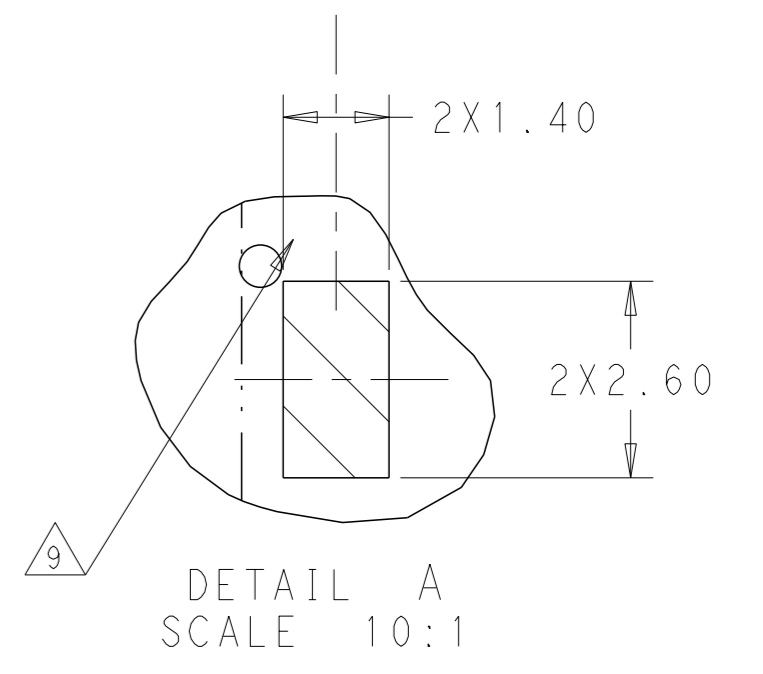
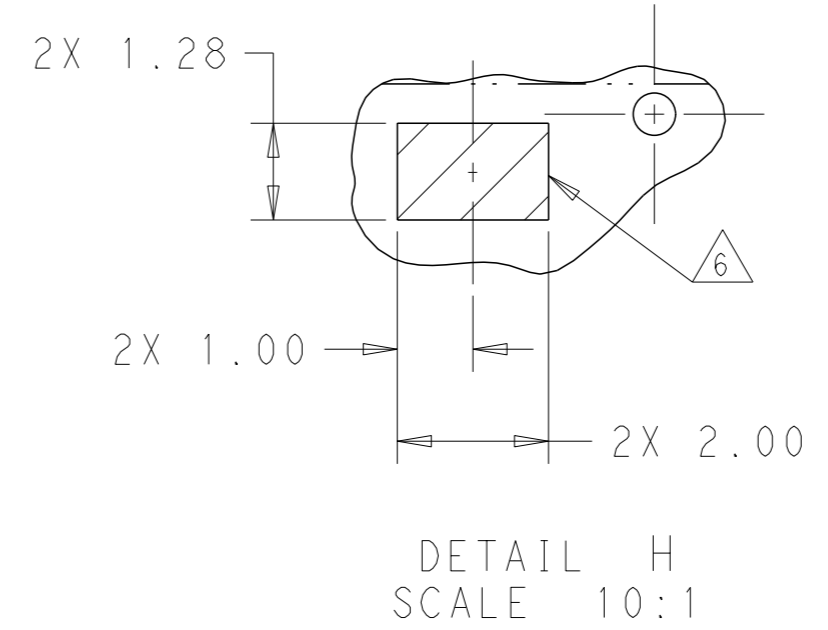
DETAIL K
 SCALE 10:1

THIS DRAWING IS A CONTROLLED DOCUMENT.		OWN M. SHIRK 16JAN2013	TE Connectivity
DIMENSIONS: mm		CHK D. SZCZESNY 16JAN2013	
TOLERANCES UNLESS OTHERWISE SPECIFIED:		APVD -	NAME
0 PLC ±	1 PLC ±0.25	PRODUCT SPEC	CAGE AND CONNECTOR ASSEMBLY, WITH
2 PLC ±0.15	3 PLC ±	APPLICATION SPEC	EMI SPRING FINGERS, THRU BEZEL, 2X1,
4 PLC ±	ANGLES ±	SIZE	ZQSP+ STACKED
MATERIAL	FINISH	114-60015	CAGE CODE DRAWING NO
SEE NOTE 1		WEIGHT	A100779C=2227669
		CUSTOMER DRAWING	RESTRICTED TO
		SCALE 4:1	SHEET 5 OF 6
			REV C1

LOC	DIST	REVISIONS			
GP	00	REV	DATE	OWN	APVD
-	-	1	SEE SHEET 1	-	-



KEEPOUT AREAS FOR 4 LP APPLICATON COMPONENT SIDE OF BOARD
 SCALE 5:1



THIS DRAWING IS A CONTROLLED DOCUMENT.		OWN M. SHIRK 16JAN2013	TE Connectivity
DIMENSIONS: mm		CHK D. SZCZESNY 16JAN2013	
TOLERANCES UNLESS OTHERWISE SPECIFIED:		APVD -	NAME
0 PLC ±	1 PLC ±0.25	PRODUCT SPEC	CAGE AND CONNECTOR ASSEMBLY, WITH EMI SPRING FINGERS, THRU BEZEL, 2X1, ZQSFP+ STACKED
2 PLC ±0.15	3 PLC ±	APPLICATION SPEC	SIZE
4 PLC ±	ANGLES ±	114-60015	CAGE CODE DRAWING NO
MATERIAL	FINISH	WEIGHT	RESTRICTED TO
SEE NOTE 1			A100779C=2227669
CUSTOMER DRAWING		SCALE 1:1	SHEET 6 OF 6 REV C1

Данный компонент на территории Российской Федерации

Вы можете приобрести в компании MosChip.

Для оперативного оформления запроса Вам необходимо перейти по данной ссылке:

<http://moschip.ru/get-element>

Вы можете разместить у нас заказ для любого Вашего проекта, будь то серийное производство или разработка единичного прибора.

В нашем ассортименте представлены ведущие мировые производители активных и пассивных электронных компонентов.

Нашей специализацией является поставка электронной компонентной базы двойного назначения, продукции таких производителей как XILINX, Intel (ex.ALTERA), Vicor, Microchip, Texas Instruments, Analog Devices, Mini-Circuits, Amphenol, Glenair.

Сотрудничество с глобальными дистрибьюторами электронных компонентов, предоставляет возможность заказывать и получать с международных складов практически любой перечень компонентов в оптимальные для Вас сроки.

На всех этапах разработки и производства наши партнеры могут получить квалифицированную поддержку опытных инженеров.

Система менеджмента качества компании отвечает требованиям в соответствии с ГОСТ Р ИСО 9001, ГОСТ РВ 0015-002 и ЭС РД 009

Офис по работе с юридическими лицами:

105318, г.Москва, ул.Щербаковская д.3, офис 1107, 1118, ДЦ «Щербаковский»

Телефон: +7 495 668-12-70 (многоканальный)

Факс: +7 495 668-12-70 (доб.304)

E-mail: info@moschip.ru

Skype отдела продаж:

moschip.ru

moschip.ru_4

moschip.ru_6

moschip.ru_9