

## 250A SERIES

### 3-Phase Voltage/Phase Monitor

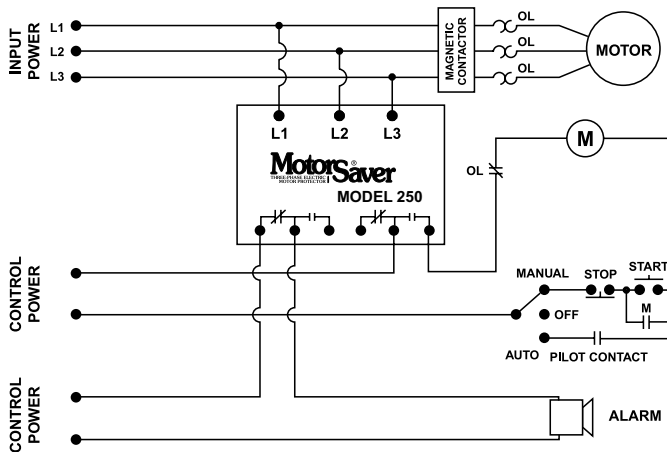


### Description

The 250A is a 3-phase, auto-ranging, dual-range voltage monitor that protects 190-480VAC, 50/60Hz motors regardless of size from low and high voltage, unbalance/single-phase, and reverse-phase. The product provides a user selectable nominal voltage setpoint and the voltage monitor automatically selects between the 200V and 400V range. The 250A also features adjustable or manual restart delay.

This unique microcontroller-based voltage and phase-sensing device constantly monitors the 3-phase voltages to detect harmful power line conditions. When a harmful condition is detected, the output relay is deactivated after a specified trip delay. The output relay reactivates after power line conditions return to acceptable levels. The Model 250A includes advanced single LED diagnostics. Five different light patterns distinguish between faults and normal conditions.

### Wiring Diagram



### Features & Benefits

FEATURES	BENEFITS
<b>Proprietary microcontroller based circuitry</b>	Constant monitoring of single-phase, low voltage, voltage unbalance, phase reversal, harmful power line conditions.
<b>Auto-sensing wide voltage range</b>	Automatically senses system voltage between 190 - 480VAC. Saves setup time.
<b>Advanced LED diagnostics</b>	Quick visual indicator for cause of trip. LED indications include: normal operation, power-up restart delay, reverse-phase trip, unbalance/single-phase trip, high or low voltage trip
<b>Adjustable trip delay</b>	Prevent nuisance tripping due to rapidly fluctuating power line conditions.
<b>DPDT relay output</b>	Allows for versatility to meet wide application needs
<b>Manual Reset</b>	Allows for inspection of equipment before system is re-energized

### Ordering Information

MODEL	LINE VOLTAGE	% OF SETPOINT				DESCRIPTION
		LOW VOLTAGE TRIP	LOW VOLTAGE RESET	HIGH VOLTAGE TRIP	HIGH VOLTAGE RESET	
250A	190-480VAC	90%	93%	110%	107%	Provides high and low voltage protection at fixed percentage of nominal voltage.
250600	475-600VAC	90%	93%	110%	107%	Provides high and low voltage protection at fixed percentage of nominal voltage.
250A-MET	190-480VAC	85%	88%	N/A	N/A	Designed for use with Fire Control Panels. Has 2 Form C contacts that operate independently. Left Form C energizes when voltage conditions are good and de-energize when a fault condition is detected. Right Form C only energizes during a reverse-phase condition. No high voltage protection.
250-100-MET	95-120VAC	85%	88%	N/A	N/A	Designed for use with Fire Control Panels. Has 2 Form C contacts that operate independently. Left Form C energizes when voltage conditions are good and de-energize when a fault condition is detected. Right Form C only energizes during a reverse-phase condition. No high voltage protection.

## 250A SERIES

### Specifications

<b>Frequency</b>	50*/60Hz Low Voltage
<b>Functional Characteristics</b>	
<b>Voltage Unbalance (NEMA)</b>	
<b>Trip</b>	6%
<b>Reset</b>	4.5%
<b>Trip Delay Time</b>	
<b>Low Voltage, High Voltage</b>	4 seconds
<b>Unbalance, Phasing Faults</b>	2 seconds
<b>Restart Delay Time</b>	
<b>After a Fault or Complete Power Loss</b>	Manual, 2-300 seconds adj.
<b>Output Characteristics</b>	
<b>Output Contact Rating (DPDT - 2 Form C)</b>	
<b>Pilot Duty</b>	480VA @ 240VAC
<b>General Purpose</b>	10A @ 240VAC
<b>Temperature Range</b>	-40° to 70°C (-40° to 158°F)
<b>Trip &amp; Reset Accuracy</b>	±1%
<b>Maximum Input Power</b>	5 W
<b>Relative Humidity</b>	Up to 95% non-condensing per IEC 68-2-3
<b>Terminal Torque</b>	7 in.-lbs.
<b>Wire Size</b>	12-18AWG
<b>Transient Protection (Internal)</b>	IEC 61000-4-5;1995 ±6kV
<b>Approvals</b>	
<b>UL</b>	UL508 (File #E68520)
<b>CSA</b>	CSA 22.2 No. 14 (File#46510)
<b>CE</b>	CE IEC 60947-6-2
<b>Dimensions</b>	<b>H</b> 74.4 mm (2.93"); <b>W</b> 133.9 mm (5.27"); <b>D</b> 74.9 mm (2.95")
<b>Weight</b>	1.02 lb. (16.32 oz., 462.66 g)
<b>Mounting Method</b>	#8 screws

\*Note: 50Hz will increase all delay timers by 20%.

## Данный компонент на территории Российской Федерации

### Вы можете приобрести в компании MosChip.

Для оперативного оформления запроса Вам необходимо перейти по данной ссылке:

<http://moschip.ru/get-element>

Вы можете разместить у нас заказ для любого Вашего проекта, будь то серийное производство или разработка единичного прибора.

В нашем ассортименте представлены ведущие мировые производители активных и пассивных электронных компонентов.

Нашей специализацией является поставка электронной компонентной базы двойного назначения, продукции таких производителей как XILINX, Intel (ex.ALTERA), Vicor, Microchip, Texas Instruments, Analog Devices, Mini-Circuits, Amphenol, Glenair.

Сотрудничество с глобальными дистрибьюторами электронных компонентов, предоставляет возможность заказывать и получать с международных складов практически любой перечень компонентов в оптимальные для Вас сроки.

На всех этапах разработки и производства наши партнеры могут получить квалифицированную поддержку опытных инженеров.

Система менеджмента качества компании отвечает требованиям в соответствии с ГОСТ Р ИСО 9001, ГОСТ РВ 0015-002 и ЭС РД 009

### Офис по работе с юридическими лицами:

105318, г.Москва, ул.Щербаковская д.3, офис 1107, 1118, ДЦ «Щербаковский»

Телефон: +7 495 668-12-70 (многоканальный)

Факс: +7 495 668-12-70 (доб.304)

E-mail: [info@moschip.ru](mailto:info@moschip.ru)

Skype отдела продаж:

moschip.ru

moschip.ru\_4

moschip.ru\_6

moschip.ru\_9