

4

3

2

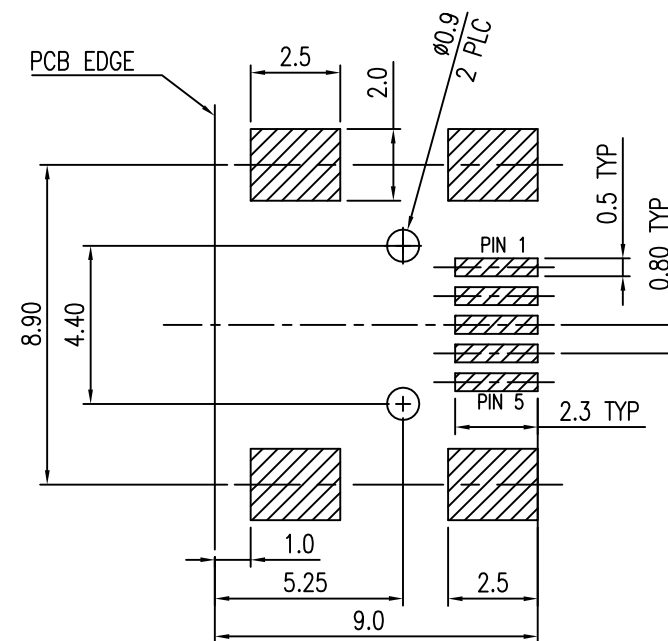
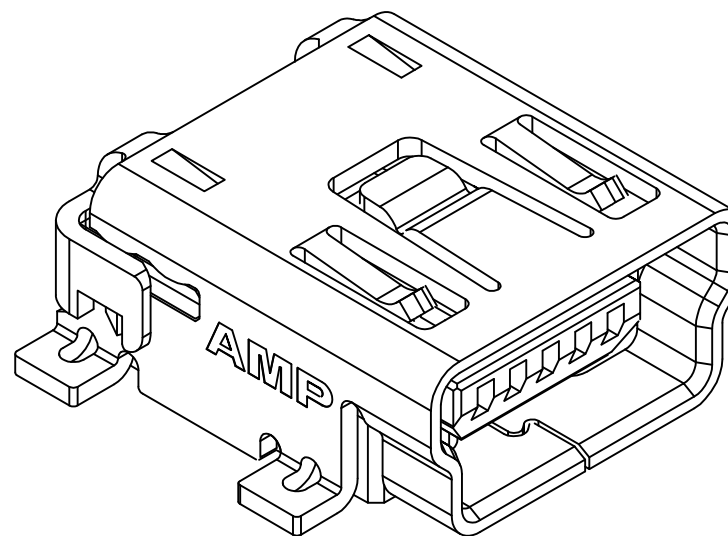
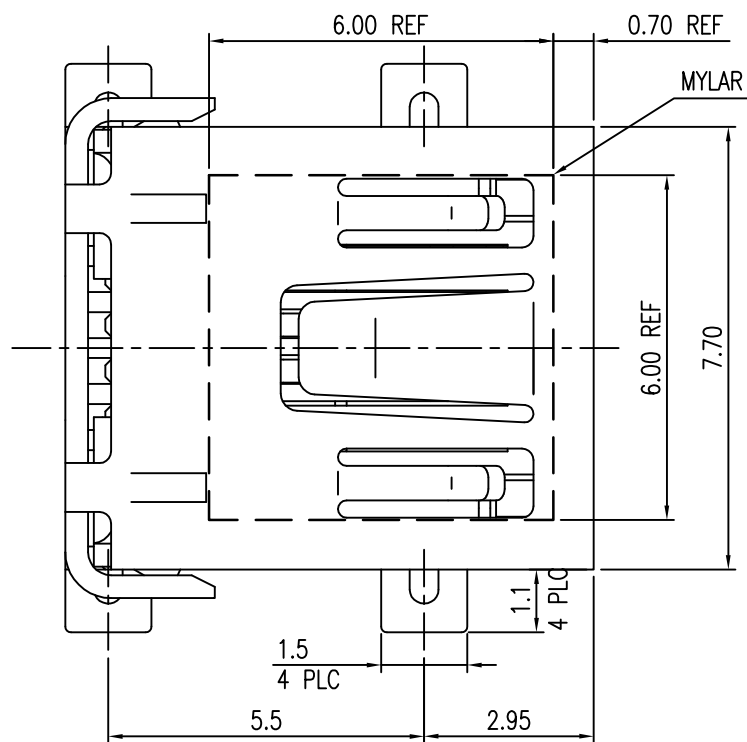
1

THIS DRAWING IS UNPUBLISHED.

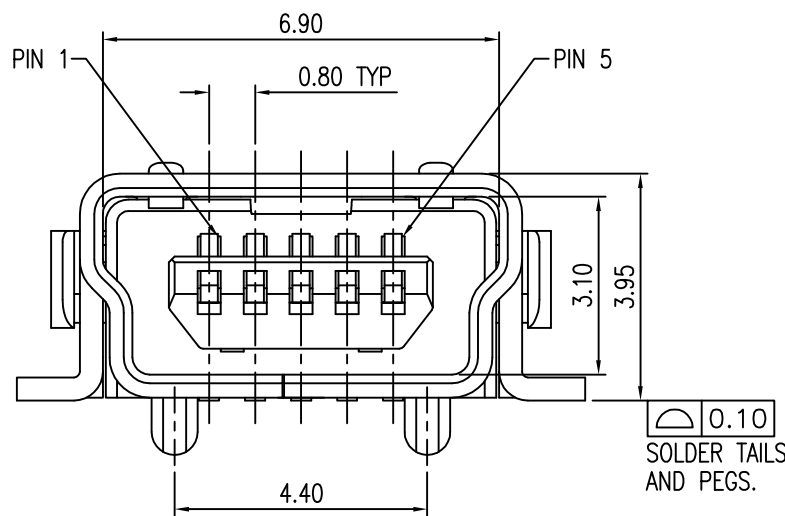
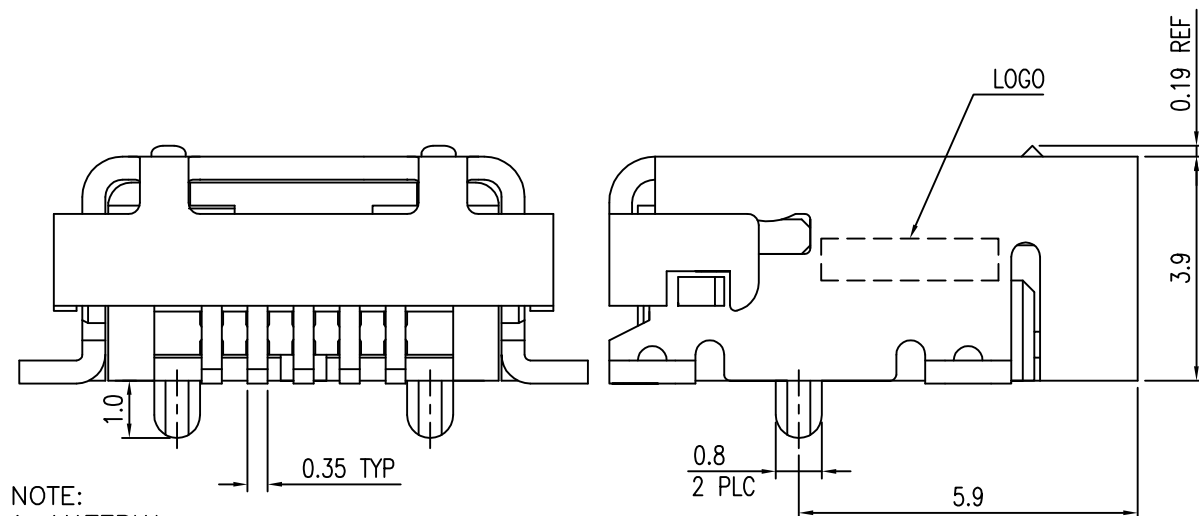
RELEASED FOR PUBLICATION

© COPYRIGHT BY TYCO ELECTRONICS CORPORATION. ALL RIGHTS RESERVED.

LOC	DIST	REVISIONS					
DW	-	P	LTR	DESCRIPTION	DATE	DWN	APVD
		F		REVISED SHELL MATERIAL	18MAY16	BL	J.L



RECOMMENDED PCB LAYOUT (MOUNTING SIDE)
THICKNESS 1.57mm (TOLERANCE: ±0.05)



- NOTE:
- MATERIAL:
HOUSING: PA9T WITH 33% GF, UL 94V-0, COLOR: SEE TABLE.
CONTACTS: PHOSPHOR BRONZE.
SHELL: SUS304, THICKNESS=0.40MM.
MYLAR: POLYAMIDE FILM.
 - FINISH:
CONTACTS: GOLD FLASH OVER
0.762µm [30µ"] MIN. PALLADIUM-NICKEL PLATED ON CONTACT AREA,
 - ▲ 2.54µm [100µ"] MIN. MATTE-TIN ON SOLDER TAIL,
 - △ 2.54µm [100µ"] MIN. MATTE-TIN ON SOLDER TAIL,
 - △ 3.05µm [120µ"] MIN. MATTE-TIN ON SOLDER TAIL,
WITH ENTIRE CONTACT UNDERPLATED 1.27µm [50µ"] MIN. NICKEL.
SHELL: ▲ & △ 1.27µm [50µ"] MIN. NICKEL PLATED OVERALL.
△ 0.76µm [30µ"] MIN. MATTE-TIN OVER 1.27µm [50µ"] MIN. NICKEL.
 - NO DATECODE ON PRODUCT SURFACE.
 - REFLOW SOLDER CAPABLE TO 260°C PER TE TEST SPEC. 109-201, CONDITION B.

▲	BLACK	W/O	W/O	TAPE REEL	W/	3-1734035-2
▲	BLACK	W/	W/O	TAPE REEL	W/	2-1734035-4
△	BLACK	W/O	W/	TAPE REEL	W/	2-1734035-3
△	BLACK	W/O	W/	TAPE REEL	W/	2-1734035-2
△	BLACK	W/O	N/A	TRAY	W/	2-1734035-1
▲	NATURAL	W/	W/O	TAPE REEL	W/	1734035-5
▲	BLACK	W/	W/O	TAPE REEL	W/	1734035-4
▲	BLACK	W/O	W/	TAPE REEL	W/	1734035-3
▲	BLACK	W/O	W/O	TAPE REEL	W/	1734035-2
▲	BLACK	W/O	N/A	TRAY	W/	1734035-1
	PLATED	HOUSING COLOR	MYLAR	LONG CARRIER & COVER TAPE	PACKAGE	POST PART NUMBER

THIS DRAWING IS A CONTROLLED DOCUMENT.		DWN	O. HU	21DEC2007		TE Connectivity	
		CHK	S. HOU	21DEC2007		NAME	
		APVD	W. KODAMA	21DEC2007	MINI USB, R/A, SMT, B TYPE		
DIMENSIONS: MM		TOLERANCES UNLESS OTHERWISE SPECIFIED:		PRODUCT SPEC			
<ul style="list-style-type: none"> 0 PLC ± 0.38 1 PLC ± 0.25 2 PLC ± 0.13 3 PLC ± 0.05 4 PLC ± - ANGLES ± 3' 		QUALIFICATION TEST REPORT		108-57062			
MATERIAL		FINISH		501-57070			
SEE NOTE		SEE NOTE		WEIGHT --			
		CUSTOMER DRAWING		SCALE --		SHEET 1 of 4	
				DRAWING NO		RESTRICTED TO	
				A3 00779 C=1734035		REV F	

4

3

2

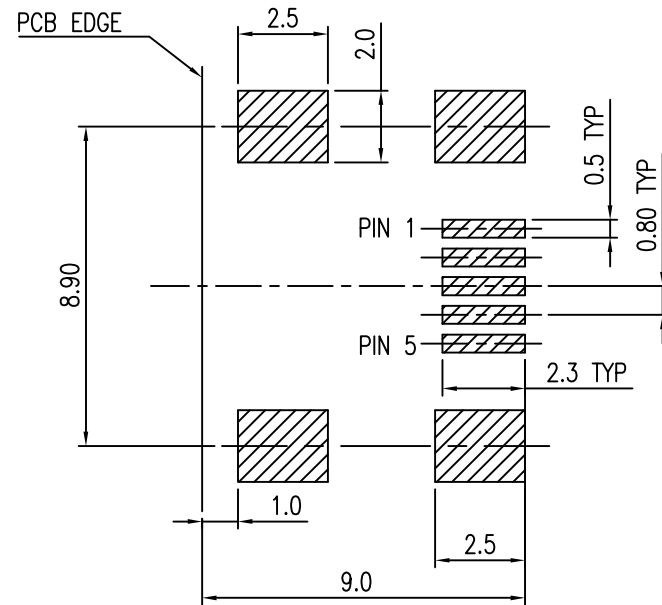
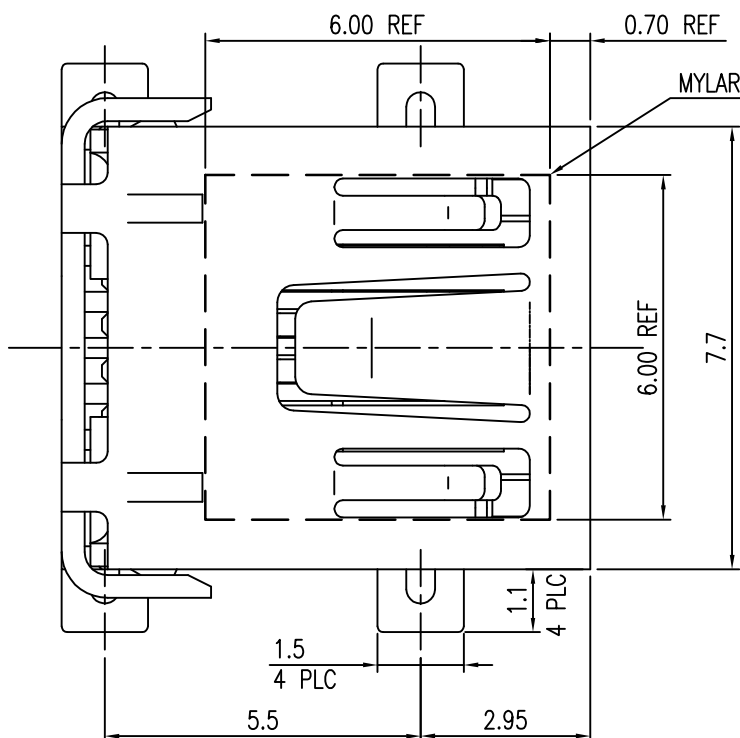
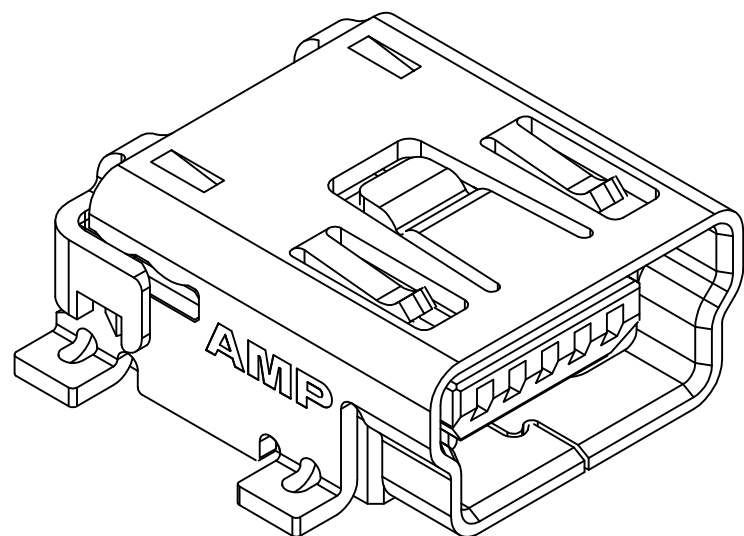
1

THIS DRAWING IS UNPUBLISHED.

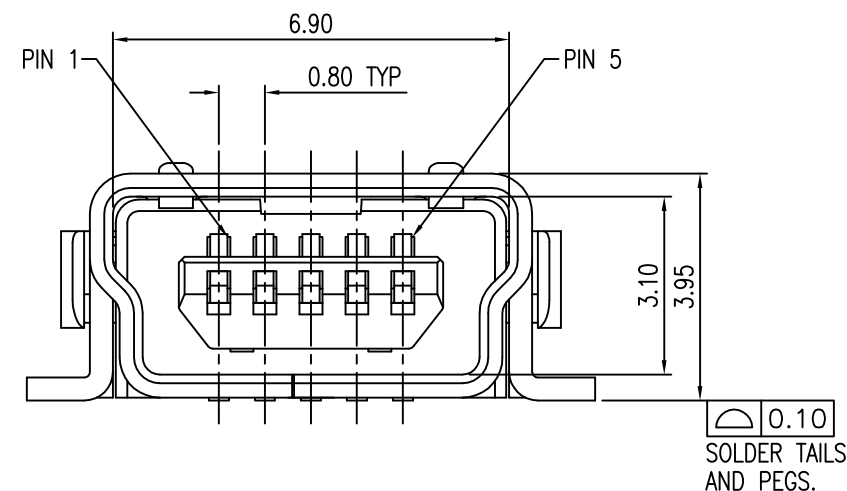
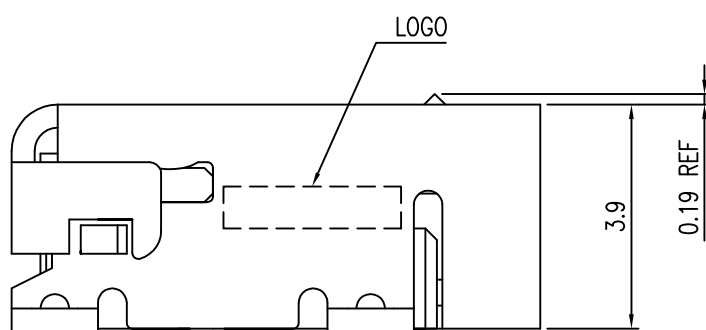
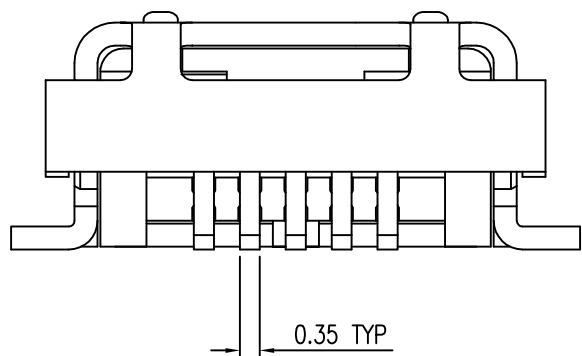
RELEASED FOR PUBLICATION

© COPYRIGHT BY TYCO ELECTRONICS CORPORATION. ALL RIGHTS RESERVED.

LOC	DIST	REVISIONS				
P	LTR	DESCRIPTION	DATE	DWN	APVD	
DW	-	SEE SHEET 1.				



RECOMMENDED PCB LAYOUT (MOUNTING SIDE)
THICKNESS 1.57mm (TOLERANCE:±0.05)



NOTE:

- MATERIAL:
HOUSING: PA9T WITH 33% GF, UL 94V-0, BLACK COLOR.
CONTACTS: PHOSPHOR BRONZE.
SHELL: SUS304, THICKNESS=0.40MM.
MYLAR: POLYAMIDE FILM.
- FINISH:
CONTACTS: GOLD FLASH OVER
0.762µm [30µ"] MIN. PALLADIUM-NICKEL PLATED ON CONTACT AREA,
2.54µm [100µ"] MIN. MATTE-TIN ON SOLDER TAIL, WITH
ENTIRE CONTACT UNDERPLATED 1.27µm [50µ"] MIN. NICKEL.
SHELL: 1.27µm [50µ"] MIN. NICKEL PLATED OVERALL.
- NO DATECODE ON PRODUCT SURFACE.
- REFLOW SOLDER CAPABLE TO 260°C PER TE TEST SPEC.
109-201, CONDITION B.

W/	W/O	TAPE REEL	W/O	4-1734035-2
	W/	TAPE REEL	W/O	1-1734035-3
W/O	W/O	TAPE REEL	W/O	1-1734035-2
	N/A	TRAY	W/O	1-1734035-1
MYLAR	LONG CARRIER & COVER TAPE	PACKAGE	POST	PART NUMBER

THIS DRAWING IS A CONTROLLED DOCUMENT.		DWN	TE TE Connectivity		
DIMENSIONS: MM		CHK			
TOLERANCES UNLESS OTHERWISE SPECIFIED:		APVD	NAME		
0 PLC ± 0.38		PRODUCT SPEC	MINI USB, R/A, SMT, B TYPE		
1 PLC ± 0.25		APPLICATION SPEC	SIZE	CAGE CODE	DRAWING NO
2 PLC ± 0.13		WEIGHT	A3	00779	C=1734035
3 PLC ± 0.05		CUSTOMER DRAWING	RESTRICTED TO		
4 PLC ± -		SCALE	SHEET 2 of 4		
ANGLES ± 3'			REV F		
MATERIAL	FINISH				
SEE NOTE	SEE NOTE				

4

3

2

1

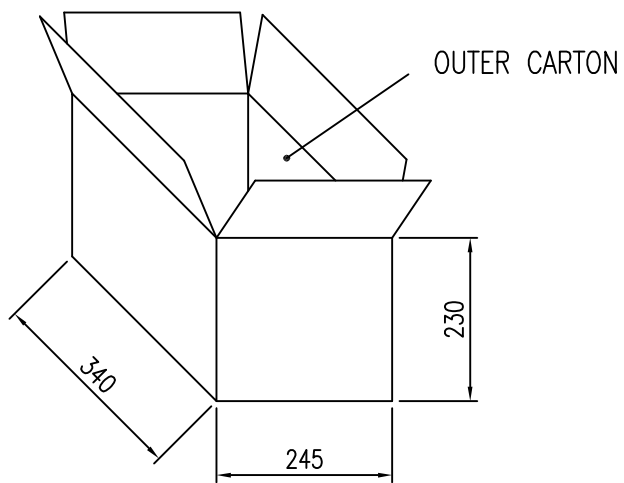
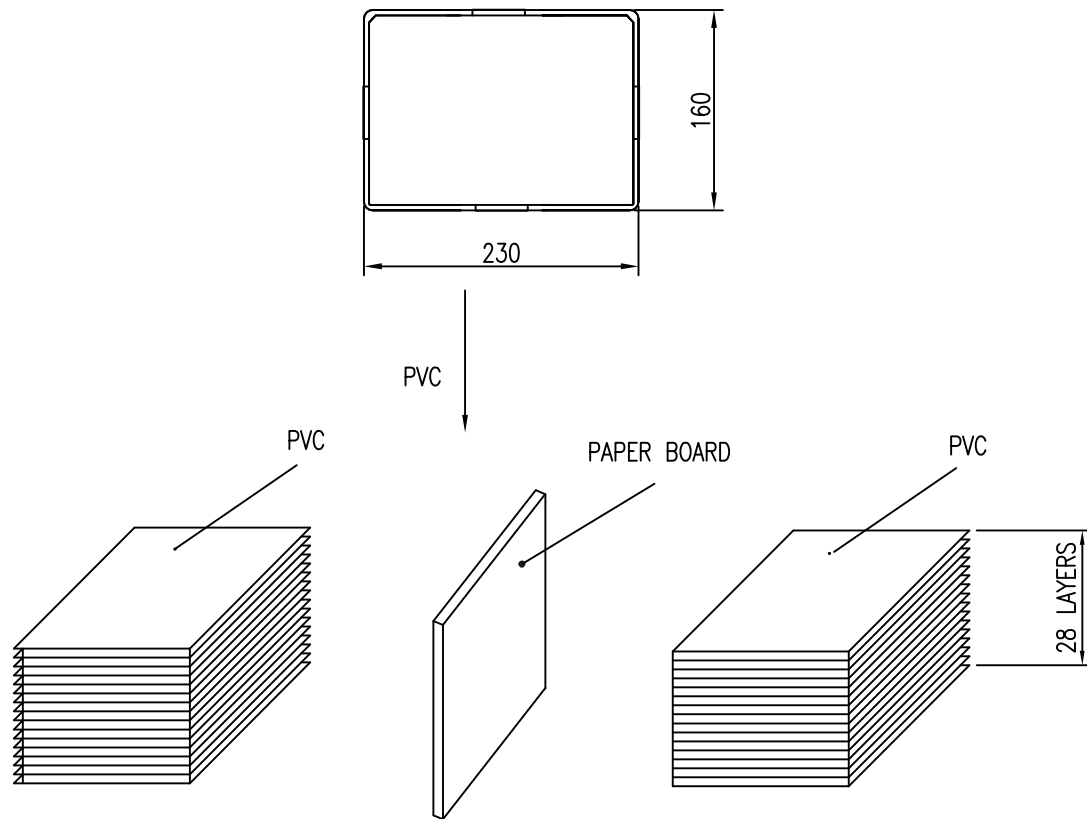
THIS DRAWING IS UNPUBLISHED.

RELEASED FOR PUBLICATION

© COPYRIGHT - BY TYCO ELECTRONICS CORPORATION.

ALL RIGHTS RESERVED.

LOC	DIST	REVISIONS					
DW	-	P	LTR	DESCRIPTION	DATE	DWN	APVD
				SEE SHEET 1.			



8.25 Kg	5.55 Kg	150	56	8400 PCS	2-1734035-1
					1-1734035-1
					1734035-1
GROSS WEIGHT	NET WEIGHT	PCS/TRAY	TRAYS /CARTON	QUANTITY	PART NUMBER

THIS DRAWING IS A CONTROLLED DOCUMENT.		DWN	STE TE Connectivity		
DIMENSIONS: MM		CHK			
TOLERANCES UNLESS OTHERWISE SPECIFIED:		APVD	NAME		
0 PLC ± -		PRODUCT SPEC	MINI USB, R/A, SMT, B TYPE		
1 PLC ± -		APPLICATION SPEC	SIZE	CAGE CODE	DRAWING NO
2 PLC ± -		WEIGHT	A3	00779	1734035
3 PLC ± -			RESTRICTED TO		
4 PLC ± -			-		
ANGLES ± -			-		
MATERIAL		CUSTOMER DRAWING		SCALE	SHEET
FINISH				-	3 of 4
				REV	F

4

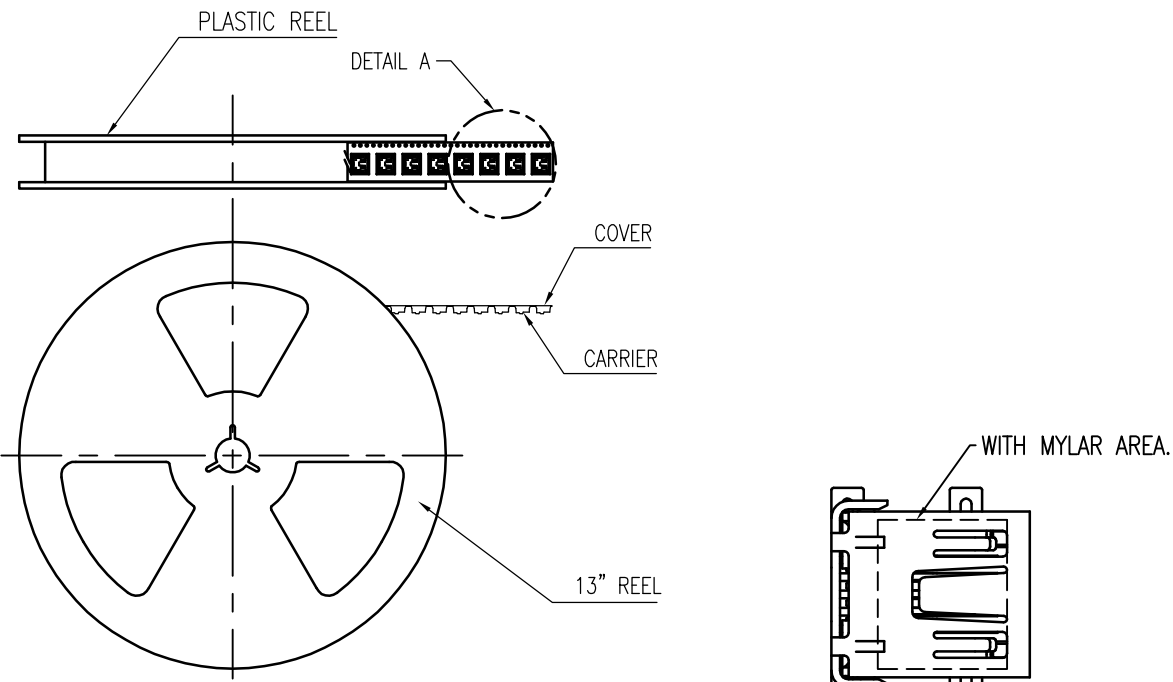
3

2

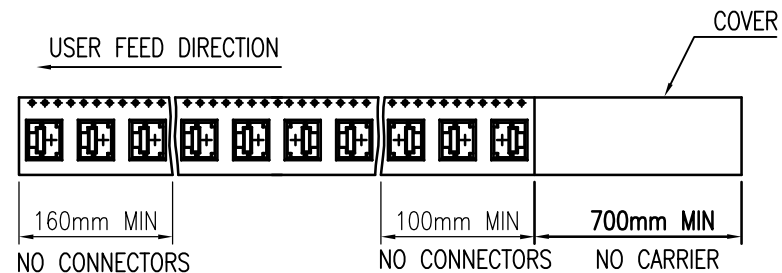
1

THIS DRAWING IS UNPUBLISHED. RELEASED FOR PUBLICATION
 © COPYRIGHT BY TYCO ELECTRONICS CORPORATION. ALL RIGHTS RESERVED.

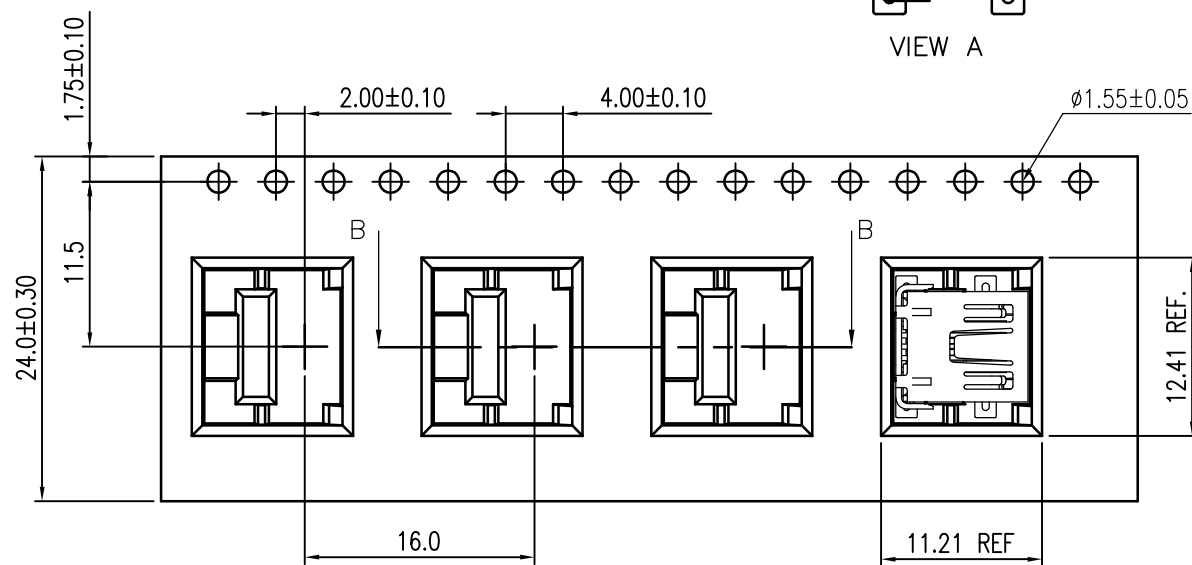
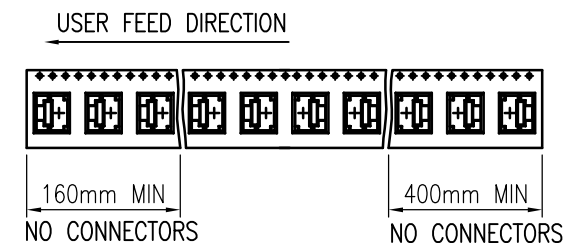
LOC	DIST	REVISIONS					
DW	-	P	LTR	DESCRIPTION	DATE	DWN	APVD
				SEE SHEET 1.			



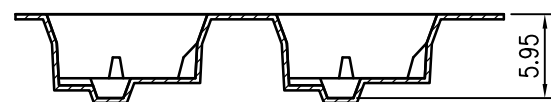
FOR 1734035-3, 1-1734035-3 AND 2-1734035-3 (LONG CARRIER & COVER TAPE)



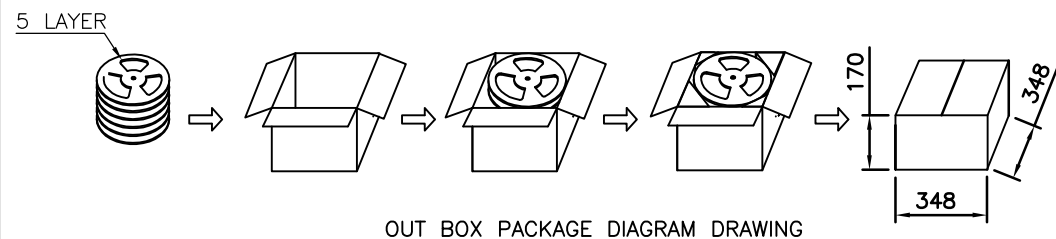
FOR 1734035-2, 1734035-4, 1734035-5, 1-1734035-2, 3-1734035-2, 2-1734035-2, 2-1734035-4, 4-1734035-2



DETAIL A



SECTION B-B



OUT BOX PACKAGE DIAGRAM DRAWING

GROSS WEIGHT	NET WEIGHT	PCS/REER	REERS / CARTON	QUANTITY	MYLAR	LONG CARRIER & COVER TAPE	PART NUMBER
4.95 Kg	2.31 Kg	700	5	3500	W/	W/O	4-1734035-2
					W/O	W/O	3-1734035-2
					W/	W/O	2-1734035-4
					W/O	W/	2-1734035-3
					W/O	W/O	2-1734035-2
					W/O	W/	1-1734035-3
					W/O	W/O	1-1734035-2
					W/	W/O	1734035-5
					W/	W/O	1734035-4
					W/O	W/	1734035-3
					W/O	W/O	1734035-2

THIS DRAWING IS A CONTROLLED DOCUMENT.

DIMENSIONS: MM	TOLERANCES UNLESS OTHERWISE SPECIFIED:	DWN	 TE Connectivity NAME MINI USB, R/A, SMT, B TYPE
	0 PLC ± -	CHK	
	1 PLC ± -	APVD	
	2 PLC ± -	PRODUCT SPEC	
MATERIAL	FINISH	APVD	SIZE CAGE CODE DRAWING NO RESTRICTED TO A3 00779 C=1734035
CUSTOMER DRAWING		WEIGHT	SCALE SHEET 4 of 4 REV F

Данный компонент на территории Российской Федерации

Вы можете приобрести в компании MosChip.

Для оперативного оформления запроса Вам необходимо перейти по данной ссылке:

<http://moschip.ru/get-element>

Вы можете разместить у нас заказ для любого Вашего проекта, будь то серийное производство или разработка единичного прибора.

В нашем ассортименте представлены ведущие мировые производители активных и пассивных электронных компонентов.

Нашей специализацией является поставка электронной компонентной базы двойного назначения, продукции таких производителей как XILINX, Intel (ex.ALTERA), Vicor, Microchip, Texas Instruments, Analog Devices, Mini-Circuits, Amphenol, Glenair.

Сотрудничество с глобальными дистрибьюторами электронных компонентов, предоставляет возможность заказывать и получать с международных складов практически любой перечень компонентов в оптимальные для Вас сроки.

На всех этапах разработки и производства наши партнеры могут получить квалифицированную поддержку опытных инженеров.

Система менеджмента качества компании отвечает требованиям в соответствии с ГОСТ Р ИСО 9001, ГОСТ РВ 0015-002 и ЭС РД 009

Офис по работе с юридическими лицами:

105318, г.Москва, ул.Щербаковская д.3, офис 1107, 1118, ДЦ «Щербаковский»

Телефон: +7 495 668-12-70 (многоканальный)

Факс: +7 495 668-12-70 (доб.304)

E-mail: info@moschip.ru

Skype отдела продаж:

moschip.ru

moschip.ru_4

moschip.ru_6

moschip.ru_9