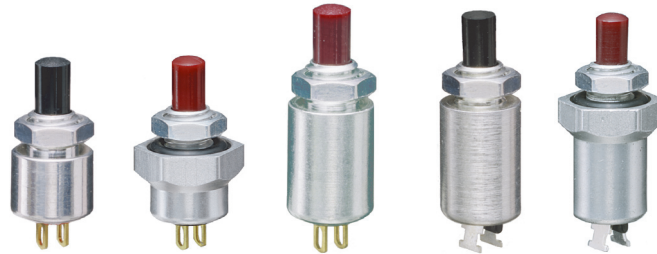


SERIES 39
SPST, 150 mA to 1/2 Amp

FEATURES

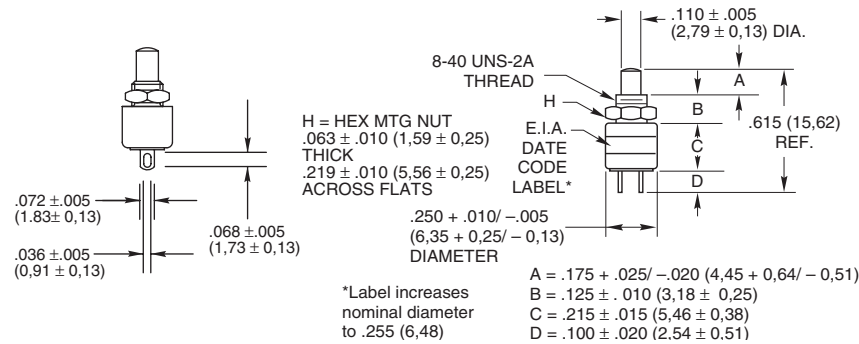
- Requires an Absolute Minimum of Space
- Molded-In Terminals in SPST-N.O.
- Solder Lug Terminals



DIMENSIONS in inches (and millimeters)

Normally Open-SPST Economy and Standard Version

39-1
39-3
39-601*



Economy Version

| Electrical Ratings | Operations at Rated Load | *Complete Part Number | Button Color |
|--------------------|--------------------------|-----------------------|--------------------------|
| At 5 Vdc 150 mA | At 20 Vdc 20 mA | 1,000,000 | 39-601 RED 39-601 BLK |

| Action | Total Travel | Actuating Force (oz.) | Mtg. Hole |
|-----------|------------------------------|-----------------------|-----------------------|
| Momentary | .035 ± .015 (0,89 ± 0,38) | 4 + 4 - 2 | 11/64" (4,37) DIA. |

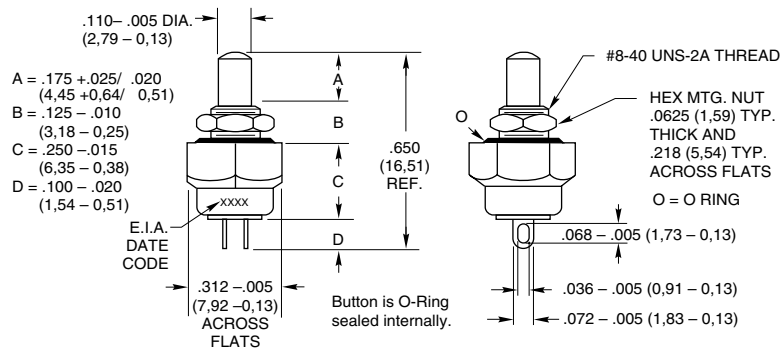
Standard

| Electrical Ratings | Operations at Rated Load | Complete Part Number | Button Color |
|----------------------------|----------------------------|----------------------|--------------|
| At 115 Vac 1/2 Amp Res. | At 220 Vac 1/4 Amp Res. | 1,000,000 | 39-1 39-3 |

| Action | Total Travel | Actuating Force (oz.) | Mtg. Hole |
|-----------|------------------------------|-----------------------|-----------------------|
| Momentary | .035 ± .015 (0,89 ± 0,38) | 4 + 4 - 2 | 11/64" (4,37) DIA. |

Normally Open-SPST with Sealed Bushing and Button

39-351*

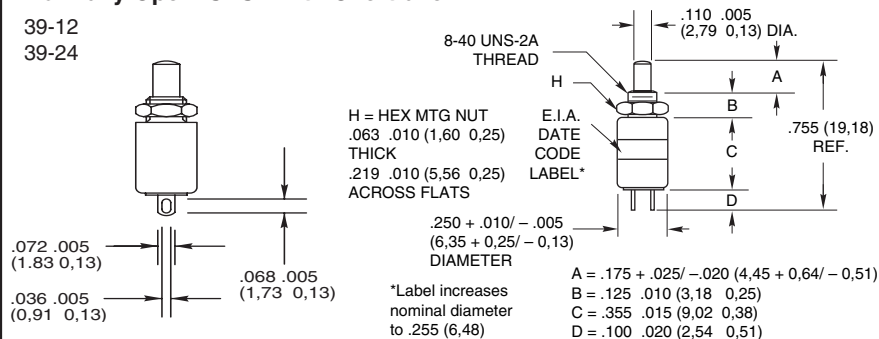


| Rating at 115 Vac Resistive | Rating at 220 Vac Resistive | Operations at Rated Load | *Complete Part Number | Button Color |
|-----------------------------|-----------------------------|--------------------------|--------------------------|--------------|
| 1/2 Amp | 1/4 Amp | 250,000 | 39-351 RED 39-351 BLK | Red Black |

| Action | Total Travel | Actuating Force (oz.) |
|-----------|------------------------------|-----------------------|
| Momentary | .035 ± .015 (0,89 ± 0,38) | 16 ± 8 |

Normally Open-SPST with Overtravel

39-12
39-24



| Rating at 115 Vac Resistive | Rating at 220 Vac Resistive | Operations at Rated Load | Complete Part Number | Button Color |
|-----------------------------|-----------------------------|--------------------------|----------------------|--------------|
| 1/2 Amp | 1/4 Amp | 100,000 | 39-12 39-24 | Red Black |

| Action | Total Travel | Over Travel | Actuating Force (oz.) | Mtg. Hole |
|-----------|------------------------------|---------------------|-----------------------|-----------------------|
| Momentary | .130 ± .025 (3,30 ± 0,64) | .015 (0,38) Min. | 5 ± 3 | 11/64" (4,37) DIA. |

Pushbutton Switches

DIMENSIONS in inches (and millimeters)

Normally Closed-SPST

39-2

H = HEX MTG NUT
 $.063 - .010$ (1,60 - 0,25)
THICK
 $.219 - .010$ (5,56 - 0,25)
ACROSS FLATS

8-40 UNS-2A THREAD

E.I.A. DATE CODE LABEL*

$.105 - .005$ (2,67 - 0,13) DIA.

$.780$ (19,81) REF.

$.100 \pm .010$ (2,54 \pm 0,25)

$.250 + .010 / .005$ (6,35 + 0,25 / 0,13) DIAMETER

$.060 \pm .010$ (1,52 \pm 0,25)

A = .175 - .025 (4,45 - 0,64)
B = .125 - .010 (3,18 - 0,25)
C = .390 - .010 (9,91 - 0,25)
D = .100 (2,54) MAX.

*Label increases nominal diameter to .255 (6,48)

| Rating at 115 Vac Resistive | Rating at 220 Vac Resistive | Operations at Rated Load | Part Number | Cap Color |
|-----------------------------|-----------------------------|--------------------------|-------------|-----------|
| 1/4 Amp | 1/8 Amp | 250,000 | 39-2 | Black |

| Action | Total Travel | Actuating Force (oz.) | Mtg. Hole |
|-----------|-----------------------------------|-----------------------|------------------|
| Momentary | .042 \pm .010 (1,07 \pm 0,25) | + 4 - 2 | .172 (4,37) DIA. |

Normally Closed-SPST with Sealed Bushing and Button

39-352*

$.110 - .005$ DIA. (2,79 - 0,13)

A = .165 + .035 / .015 (4,19 + 0,89 / 0,38)
B = .125 - .007 (3,18 - 0,18)
C = .429 - .015 (10,90 - 0,38)
D = .100 (2,54) MAX.
E = 10 TO 40 APPROX.

$.819$ (20,80) REF.

#8-40 UNS-2A THREAD

H = HEX MTG. NUT
 $.0625$ (1,59) TYP. THICK AND
 $.218$ (5,56) TYP. ACROSS FLATS

O-RING

E.I.A. DATE CODE LABEL*

$.100$ (2,54) MAX.

$.312 - .005$ (7,92 - 0,13) ACROSS FLATS

$.250 + .010 / .005$ (6,35 + 0,25 / 0,13)

$.100 - .010$ (2,54 - 0,25)

$.060 - .010$ (1,52 - 0,25)

Button is o-ring sealed internally.

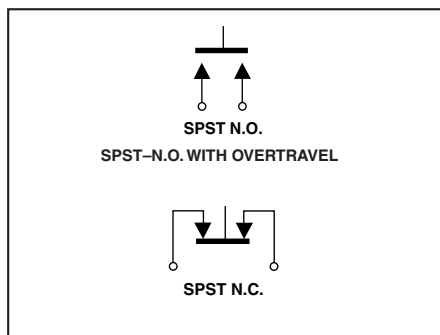
*Label increases nominal diameter to .255 (6,48)

| Rating at 115 Vac Resistive | Rating at 220 Vac Resistive | Operations at Rated Load | *Complete Part Number | Button Color |
|-----------------------------|-----------------------------|--------------------------|--------------------------|--------------|
| 1/4 Amp | 1/8 Amp | 100,000 | 39-352 RED 39-352 BLK | Red Black |

| Action | Total Travel | Actuating Force (oz.) |
|-----------|-----------------------------------|-----------------------|
| Momentary | .042 \pm .010 (0,17 \pm 0,25) | 8 \pm 4 |

Pushbutton Switches

CIRCUITRY



SPECIFICATIONS

Rating Criteria

Contact Resistance: 25 milliohms maximum on a new switch

Voltage Breakdown: 1,000 Vac between mutually insulated parts

Insulation Resistance: 1,000 megohms minimum

Operating Temperature: -40°C to +85°C

Mounting Torque: 2 inch-pounds

Materials and Finishes

Mounting Nut: Brass, tin zinc

Housing: Aluminum, clear anodized for 39-351 and 39-352; Brass, zinc trivalent chromate-plated for others

Button: Thermoset plastic

Base: Thermoset plastic

Shorting Bar: Fine silver for 39-2 and 39-352; brass, gold-plated over nickel plate for 39-601; fine silver, gold-plated for others

Terminals: Fine silver for 39-2 and 39-352; commercial bronze with gold-plated fine silver contact surface for others

Spring: Tinned music wire

O-Rings: (39-351 and 39-352) Internal ring is silicone; external ring is buna 'N'

ACCESSORY

Button Cap
 Part No. 30B1012
 For use with part numbers 39-351 and 39-352.
 (Fasten to button with Cyanoacrylate Adhesive)

ORDERING INFORMATION

| Part Number | Description |
|-------------|-------------------------------|
| 39-1 | N.O., Red Button |
| 39-2 | N.C., Black Button |
| 39-3 | N.O., Black Button |
| 39-12 | N.O., Overtravel Red Button |
| 39-24 | N.O., Overtravel Black Button |
| 39-351 RED | N.O., Sealed, Red Button |
| 39-351 BLK | N.O., Sealed, Black Button |
| 39-352 RED | N.C., Sealed, Red Button |
| 39-352 BLK | N.C., Sealed, Black Button |
| 39-601 RED | N.O., Economy, Red Button |
| 39-601 BLK | N.O., Economy, Black Button |

Accessory cap may be used with all switches shown except 39-2.

| Accessory Part Number | Description |
|-----------------------|------------------|
| 30B1012-5 | Red Button Cap |
| 30B1012-9 | Black Button Cap |
| 30B1012-8 | White Button Cap |

Данный компонент на территории Российской Федерации

Вы можете приобрести в компании MosChip.

Для оперативного оформления запроса Вам необходимо перейти по данной ссылке:

<http://moschip.ru/get-element>

Вы можете разместить у нас заказ для любого Вашего проекта, будь то серийное производство или разработка единичного прибора.

В нашем ассортименте представлены ведущие мировые производители активных и пассивных электронных компонентов.

Нашей специализацией является поставка электронной компонентной базы двойного назначения, продукции таких производителей как XILINX, Intel (ex.ALTERA), Vicor, Microchip, Texas Instruments, Analog Devices, Mini-Circuits, Amphenol, Glenair.

Сотрудничество с глобальными дистрибьюторами электронных компонентов, предоставляет возможность заказывать и получать с международных складов практически любой перечень компонентов в оптимальные для Вас сроки.

На всех этапах разработки и производства наши партнеры могут получить квалифицированную поддержку опытных инженеров.

Система менеджмента качества компании отвечает требованиям в соответствии с ГОСТ Р ИСО 9001, ГОСТ РВ 0015-002 и ЭС РД 009

Офис по работе с юридическими лицами:

105318, г.Москва, ул.Щербаковская д.3, офис 1107, 1118, ДЦ «Щербаковский»

Телефон: +7 495 668-12-70 (многоканальный)

Факс: +7 495 668-12-70 (доб.304)

E-mail: info@moschip.ru

Skype отдела продаж:

moschip.ru

moschip.ru_4

moschip.ru_6

moschip.ru_9