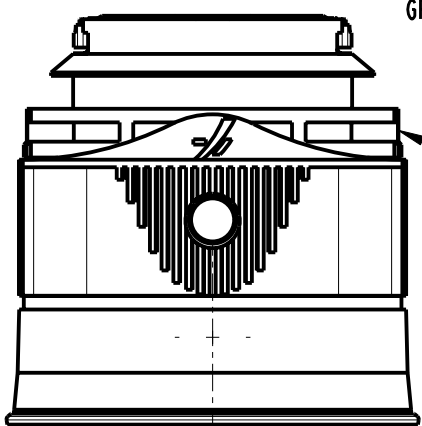
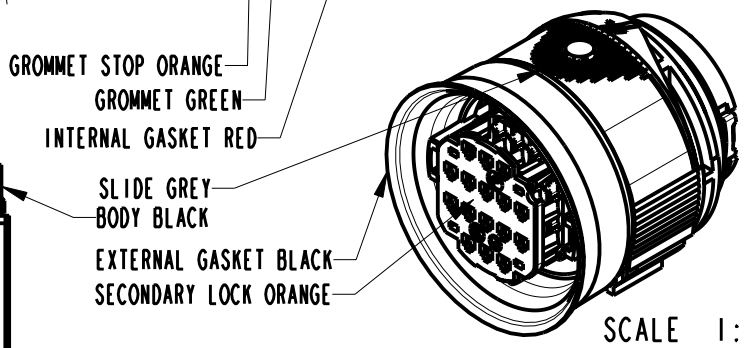
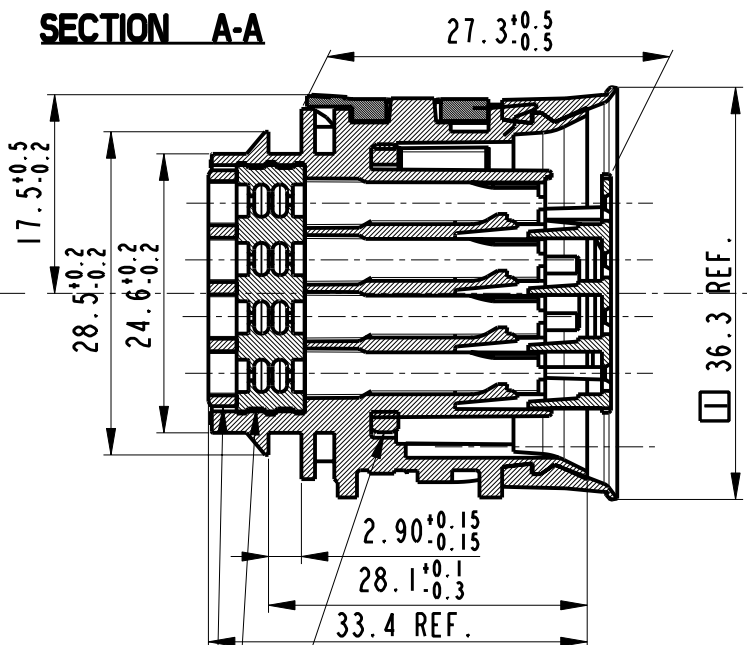


SCALE 3:2



SECTION A-A



SCALE 1:1

SICFHPE16BKS V	A	10779313	-
PART NO.	PART REV.	PART NO.	PART REV.
MVL		DELPHI	

- This connector is designed for the following female contacts:
 211 CC 2S 1120 (MVL)/10738188 (DELPHI)
 211 CC 2S 1150 (MVL)/15368842 (DELPHI)
 211 CC 2S 2150 (MVL)/10725808 (DELPHI)

211 CC 2S 1160 (MVL)/10740374 (DELPHI)
 211 CC 2S 2160 (MVL)/10756749 (DELPHI)

- For use and mating operation : see spec. IPS 204

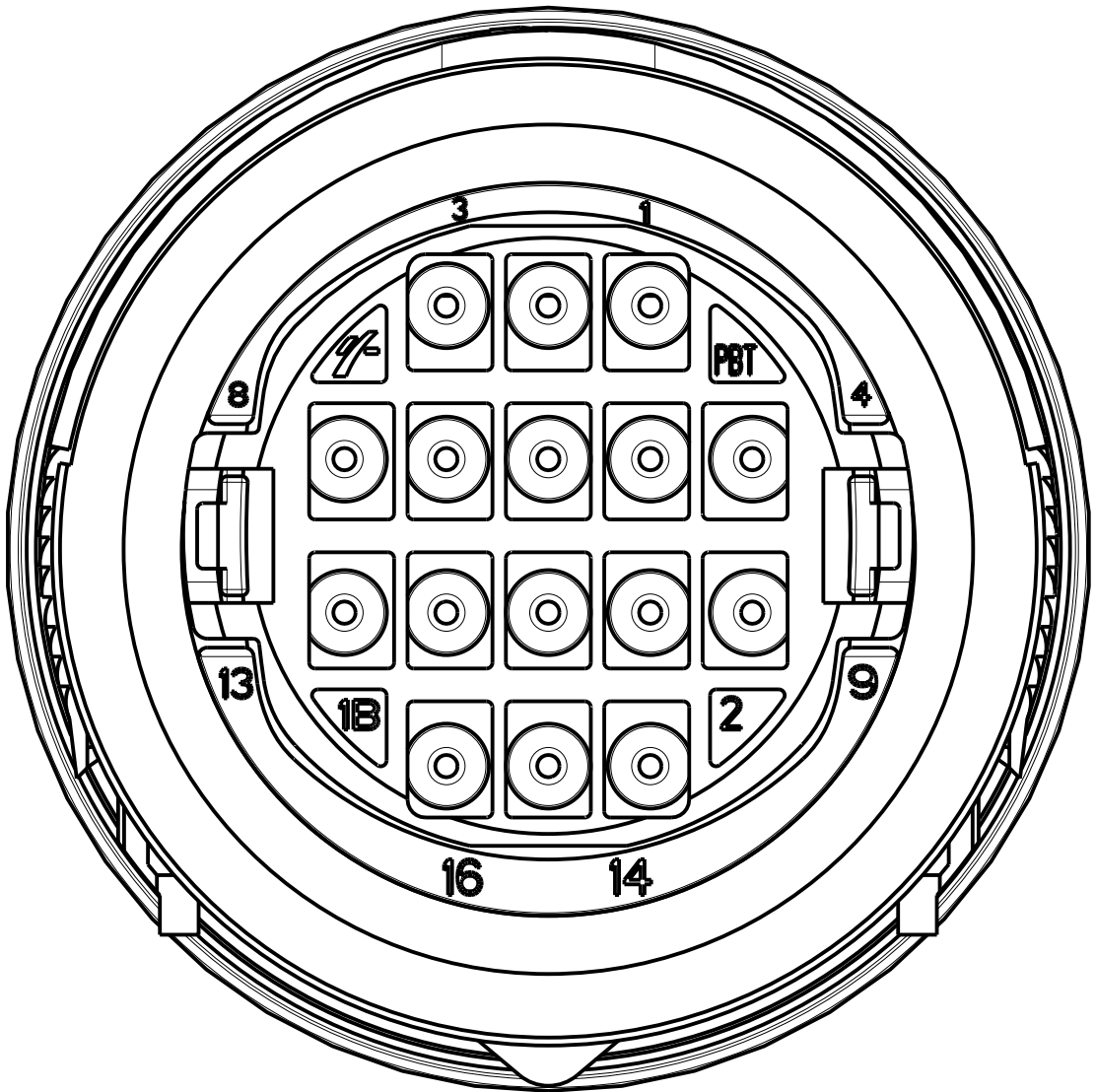
External gasket maximum clearance after mating male and female holder. ◇ CAPABILITY

14-07742	30/10/14	A	-	DELPHI P/N ADDED	S.N	F.G	M.C
ECN 21/2001	14/09/01	03	-	RELEASED FOR PRODUCTION	R.R.	P.C.B	-
	17/07/01	02	-	UPDATED DRAWING	R.R.	P.C.B.	-
	13/03/01	01	-	UPDATED DRAWING	R.R.	P.C.B.	-

ECN-NO. NUMERO -ECN	DATE DATA	DD / MM / YY	REVISION REVISIONE	POSITION POSIZIONE	CHANGE DESCRIPTION DESCRIZIONE MODIFICA	DRAWN BY DISEGNATORE	CHK. BY CONTROLLATO	APPR. BY APPROVATO
------------------------	--------------	--------------	-----------------------	-----------------------	--	-------------------------	------------------------	-----------------------

PRODUCT SPEC. SPEC. DI PRODOTTO	PACKAGING SPEC. SPEC. DI IMBALLAGGIO	APPLICATION SPEC. SPEC. DI APPLICAZIONE	COPYRIGHT DELPHI CORPORATION AND/OR ITS AFFILIATES. ALL RIGHTS RESERVED. REVISED THIS DRAWING IS THE PROPERTY OF DELPHI CORPORATION. THE REPRODUCTION, DISTRIBUTION AND UTILIZATION OF THIS DOCUMENT OR ITS RELATED CAD MATH DATA, AS WELL AS COMMUNICATION OF ANY CONTENT TO OTHERS, WITHOUT EXPRESS AUTHORIZATION IS PROHIBITED.					
IPS 204	SPEC.	SPEC.	QUESTO DISEGNO E' PROPRIETA' DI DELPHI CORPORATION E CONTIENE INFORMAZIONI CONFIDENZIALI. LA RIPRODUZIONE, DISTRIBUZIONE E UTILIZZAZIONE DI QUESTO DOCUMENTO O DELLE SUE RELATIVE MATEMATICHE CAD, NONCHE LA COMUNICAZIONE DI QUALSIASI CONTENUTO AD ALTRI, SENZA ESPLICITA AUTORIZZAZIONE, E' PROIBITA					

TOLERANCES TOLLERANZE	± 0.1mm / ± 0.5'	MATERIAL : MATERIALE :	SURFACE FINISH FINITURA SUPERFICIALE		DELPHI DELPHI PACKARD ELECTRICAL/ELECTRONIC ARCHITECTURE TORINO, ITALY		CAD SYSTEM pro / eng.
COUNTERPART Nr. CONTROPARTE Nr.		COLOUR : COLORE :			DIMENSION IN MILLIMETERS DIMENSIONI IN MILLIMETRI		DWG SIZE FORMATO A4
DO NOT SCALE DRAWING DISEGNO FUORI SCALA		TOOL NO.	LOC. CODE NAZIONALITA' IT		ISO PROJECTION PROIEZIONE ISO		
DRAWN BY DISEGNATORE	DATE DATA	NAME NOME	TITLE DESCRIZIONE		DRAWING NUMBER NUMERO DISEGNO		SHEET FOGLIO
CHECKED BY CONTROLLATO	29/11/00	R. Romponi	16 WAYS SECTIONING CONNECTOR ASSY FEMALE HOLDER SEALED VERS.		FSA 309386		1 of 1 di 2
APPROVED BY APPROVATO	29/11/00	P.C. Bigollo	ESR NO. NUMERO ESR		CAT. NO. NUMERO CAT.		SCALE SCALA
			ITA 2072A		SICFHPE16BKS V		---
			FILE NAME NOME FILE		FSA 309386		



14-07742	30/10/14	A	-	DELPHI P/N ADDED	S.N	F.G	M.C		
ECN 21/2001	14/09/01	03	-	RELEASED FOR PRODUCTION	R.R.	P.C.B.	-		
	17/07/01	02	-	UPDATED DRAWING	R.R.	P.C.B.	-		
	13/03/01	01	-	UPDATED DRAWING	R.R.	P.C.B.	-		
ECN-NO. NUMERO -ECN	DATE DATA	DD / MM / YY	REVISION REVISIONE	POSITION POSIZIONE	CHANGE DESCRIPTION DESCRIZIONE MODIFICA		DRAWN BY DISEGNATORE	CHK. BY CONTROLLATO	APPR. BY APPROVATO
PRODUCT SPEC. SPEC. DI PRODOTTO	PACKAGING SPEC. SPEC. DI IMBALLAGGIO	APPLICATION SPEC. SPEC. DI APPLICAZIONE		COPYRIGHT DELPHI CORPORATION AND/OR ITS AFFILIATES. ALL RIGHTS RESERVED. REVISED THIS DRAWING IS THE PROPERTY OF DELPHI CORPORATION. THE REPRODUCTION, DISTRIBUTION AND UTILIZATION OF THIS DOCUMENT OR ITS RELATED CAD MATH DOCUMENTS OR DATA, AS WELL AS COMMUNICATION OF ANY CONTENT TO OTHERS, WITHOUT EXPRESS AUTHORIZATION IS PROHIBITED.				QUESTO DISEGNO E' PROPRIETA' DI DELPHI CORPORATION E CONTIENE INFORMAZIONI CONFIDENZIALI. LA RIPRODUZIONE, DISTRIBUZIONE E UTILIZZAZIONE DI QUESTO DOCUMENTO O DELLE SUE RELATIVE MATEMATICHE CAD, NONCHE LA COMUNICAZIONE DI QUALSIASI CONTENUTO AD ALTRI, SENZA ESPLICITA AUTORIZZAZIONE, E' PROIBITA	
IPS 204	SPEC.	SPEC.		SURFACE FINISH FINITURA SUPERFICIALE		DELPHI DELPHI PACKARD ELECTRICAL/ELECTRONIC ARCHITECTURE TORINO, ITALY		CAD SYSTEM pro / eng.	
TOLERANCES TOLLERANZE	± 0.1mm / ±0.5'	MATERIAL : MATERIALE :		COLOUR : COLORE :		DIMENSION IN MILLIMETERS DIMENSIONI IN MILLIMETRI		DWG SIZE FORMATO A4	
DO NOT SCALE DRAWING DISEGNO FUORI SCALA	TOOL NO. -		LOC. CODE NAZIONALITA' IT		C ISO PROJECTION PROIEZIONE ISO				
DRAWN BY DISEGNATORE	DATE DATA	NAME NOME	TITLE DESCRIZIONE		DRAWING NUMBER NUMERO DISEGNO		SHEET FOGLIO		
CHECKED BY CONTROLLATO	29/11/00	R.Romano	16 WAYS SECTIONING CONNECTOR ASSY FEMALE HOLDER SEALED VERS.		FSA 309386		2 of 2 di		
APPROVED BY APPROVATO	29/11/00	P.C. Bigollo	ESR NO. NUMERO ESR		CAT. NO. NUMERO CAT.		FSA 309386		SCALE SCALA
			ITA 2072A		SICFHE16BKS		FSA 309386		---

Данный компонент на территории Российской Федерации

Вы можете приобрести в компании MosChip.

Для оперативного оформления запроса Вам необходимо перейти по данной ссылке:

<http://moschip.ru/get-element>

Вы можете разместить у нас заказ для любого Вашего проекта, будь то серийное производство или разработка единичного прибора.

В нашем ассортименте представлены ведущие мировые производители активных и пассивных электронных компонентов.

Нашей специализацией является поставка электронной компонентной базы двойного назначения, продукции таких производителей как XILINX, Intel (ex.ALTERA), Vicor, Microchip, Texas Instruments, Analog Devices, Mini-Circuits, Amphenol, Glenair.

Сотрудничество с глобальными дистрибьюторами электронных компонентов, предоставляет возможность заказывать и получать с международных складов практически любой перечень компонентов в оптимальные для Вас сроки.

На всех этапах разработки и производства наши партнеры могут получить квалифицированную поддержку опытных инженеров.

Система менеджмента качества компании отвечает требованиям в соответствии с ГОСТ Р ИСО 9001, ГОСТ РВ 0015-002 и ЭС РД 009

Офис по работе с юридическими лицами:

105318, г.Москва, ул.Щербаковская д.3, офис 1107, 1118, ДЦ «Щербаковский»

Телефон: +7 495 668-12-70 (многоканальный)

Факс: +7 495 668-12-70 (доб.304)

E-mail: info@moschip.ru

Skype отдела продаж:

moschip.ru

moschip.ru_4

moschip.ru_6

moschip.ru_9