

32-Tap, Nonvolatile, Linear-Taper Digital Potentiometers in SOT23

General Description

The MAX5471/MAX5472/MAX5474/MAX5475 linear-taper digital potentiometers function as mechanical potentiometers, but replace the mechanics with a simple 3-wire up/down digital interface. These digital potentiometers feature nonvolatile memory (EEPROM) to return the wiper to its previously stored position upon power-up.

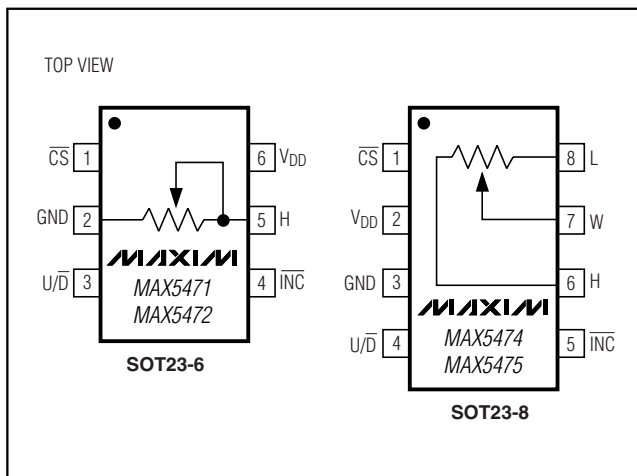
The MAX5471/MAX5472 are 2-terminal, variable resistors in 6-pin SOT23 packages. The MAX5474/MAX5475 are 3-terminal potentiometers in 8-pin SOT23 packages.

The MAX5471/MAX5474 have an end-to-end resistance of 50k Ω , and the MAX5472/MAX5475 have an end-to-end resistance of 100k Ω . All of these devices have 32 wiper positions, a low ratiometric temperature coefficient (5ppm/ $^{\circ}$ C), and all operate from a single +2.7V to +5.25V supply. Each device is guaranteed over the extended -40 $^{\circ}$ C to +85 $^{\circ}$ C temperature range.

Applications

Mechanical Potentiometer Replacement
Liquid-Crystal-Display (LCD) Screen Adjustment
Audio Volume Control
Programmable Filters

Pin Configurations



Features

- ◆ Wiper Position Stored in Nonvolatile Memory and Recalled Upon Power-Up
- ◆ Tiny SOT23 Package
- ◆ 35ppm/ $^{\circ}$ C End-to-End Resistance Temperature Coefficient
- ◆ 5ppm/ $^{\circ}$ C Ratiometric Temperature Coefficient
- ◆ 32 Tap Positions
- ◆ Voltage-Divider or Variable-Resistor Potentiometer Configuration
- ◆ 50k Ω and 100k Ω End-to-End Resistance Values
- ◆ 1 μ A (max) Static Supply Current
- ◆ 2.7V to 5.25V Single-Supply Operation
- ◆ 200,000 Wiper Store Cycles
- ◆ 50-Year Wiper Data Retention

Ordering Information

PART	TEMP RANGE	PIN-PACKAGE	PKG CODE
MAX5471EZT-T	-40 $^{\circ}$ C to +85 $^{\circ}$ C	6 Thin SOT23-6	Z6-1
MAX5472EZT-T	-40 $^{\circ}$ C to +85 $^{\circ}$ C	6 Thin SOT23-6	Z6-1
MAX5474EKA-T	-40 $^{\circ}$ C to +85 $^{\circ}$ C	8 SOT23-8	K8S-3
MAX5475EKA-T	-40 $^{\circ}$ C to +85 $^{\circ}$ C	8 SOT23-8	K8S-3

Selector Guide

PART	END-TO-END RESISTANCE (k Ω)	TOP MARK
MAX5471EZT	50	ABQN
MAX5472EZT	100	ABQM
MAX5474EKA	50	AEIZ
MAX5475EKA	100	AEIY

32-Tap, Nonvolatile, Linear-Taper Digital Potentiometers in SOT23

ABSOLUTE MAXIMUM RATINGS

V _{DD} to GND	-0.3V to +6.0V	Continuous Power Dissipation (T _A = +70°C)	
All Other		6-Pin SOT23 (derate 9.1mW/°C above +70°C).....	727mW
Pins to GND	-0.3V to the lower of (V _{DD} + 0.3V) or +6.0V	8-Pin SOT23 (derate 8.9mW/°C above +70°C).....	714mW
Maximum Continuous Current into H, L, and W		Operating Temperature Range	-40°C to +85°C
MAX5471/MAX5474	±1.3mA	Junction Temperature	+150°C
MAX5472/MAX5475	±0.6mA	Storage Temperature Range	-60°C to +150°C
		Lead Temperature (soldering, 10s)	+300°C

Stresses beyond those listed under "Absolute Maximum Ratings" may cause permanent damage to the device. These are stress ratings only, and functional operation of the device at these or any other conditions beyond those indicated in the operational sections of the specifications is not implied. Exposure to absolute maximum rating conditions for extended periods may affect device reliability.

ELECTRICAL CHARACTERISTICS

(V_{DD} = +2.7V to +5.25V, V_H = V_{DD}, V_L = GND, T_A = -40°C to +85°C, unless otherwise noted. Typical values are at V_{DD} = +5.0V, T_A = +25°C, unless otherwise noted.) (Note 1)

PARAMETER	SYMBOL	CONDITIONS	MIN	TYP	MAX	UNITS
DC PERFORMANCE						
Resolution	N		32			Tap
End-to-End Resistance		MAX5471/MAX5474	37.5	50	62.5	kΩ
		MAX5472/MAX5475	75	100	125	
End-to-End Resistance Temperature Coefficient	T _{CR}			35		ppm/°C
Ratiometric Resistance Temperature Coefficient				5		ppm/°C
Integral Nonlinearity	INL	Variable-resistor mode (Note 2)		±0.5	±1.0	LSB
		Voltage-divider mode (MAX5474/MAX5475) (Note 3)		±0.1	±0.5	
Differential Nonlinearity	DNL	Variable-resistor mode (Note 2)		±0.5	±1.0	LSB
		Voltage-divider mode (MAX5474/MAX5475) (Note 3)		±0.1	±0.5	
Full-Scale Error		MAX5474/MAX5475			-0.5	LSB
Zero-Scale Error		MAX5474/MAX5475			+0.5	LSB
Wiper Resistance	R _W	MAX5474/MAX5475 (Note 4)		600	1200	Ω
DIGITAL INPUTS (\overline{CS}, $\overline{U/D}$, \overline{INC}) (Note 5)						
Input High Voltage	V _{IH}	V _{DD} < 3.6V	0.7 × V _{DD}			V
		V _{DD} ≥ 3.6V	2.4			
Input Low Voltage	V _{IL}	V _{DD} < 3.6V	0.3 × V _{DD}			V
		V _{DD} ≥ 3.6V	0.8			
Input Current	I _{IN}			±0.1	±1	μA
DYNAMIC CHARACTERISTICS						
Wiper -3dB Bandwidth (Note 6)		MAX5471/MAX5474	400			kHz
		MAX5472/MAX5475	200			

32-Tap, Nonvolatile, Linear-Taper Digital Potentiometers in SOT23

MAX5471/MAX5472/MAX5474/MAX5475

ELECTRICAL CHARACTERISTICS (continued)

($V_{DD} = +2.7V$ to $+5.25V$, $V_H = V_{DD}$, $V_L = GND$, $T_A = -40^{\circ}C$ to $+85^{\circ}C$, unless otherwise noted. Typical values are at $V_{DD} = +5.0V$, $T_A = +25^{\circ}C$, unless otherwise noted.) (Note 1)

PARAMETER	SYMBOL	CONDITIONS	MIN	TYP	MAX	UNITS
TIMING CHARACTERISTICS (Figure 1, Note 7)						
\overline{CS} to \overline{INC} Setup	t_{CI}		50			ns
\overline{INC} High to U/\overline{D} Change	t_{ID}		0			ns
U/\overline{D} to \overline{INC} Setup	t_{DI}		100			ns
\overline{INC} Low Period	t_{IL}		50			ns
\overline{INC} High Period	t_{IH}		50			ns
\overline{INC} Cycle Time	t_{CYC}		100			ns
\overline{INC} Inactive to \overline{CS} Inactive	t_{IC}		100			ns
\overline{INC} Active to \overline{CS} Inactive	t_{IK}		100			ns
\overline{CS} Deselect Time (Store)	t_{CPH}		100			ns
Wiper Settling Time	t_{W}	(Note 8)		1		μs
Power-Up to Wiper Stable	t_{PU}			1		μs
Wiper Store Cycle	t_{WSC}		12			ms
NONVOLATILE MEMORY RELIABILITY						
Data Retention		$T_A = +85^{\circ}C$		50		Year
Endurance		$T_A = +25^{\circ}C$		200,000		Store
		$T_A = +85^{\circ}C$		50,000		
POWER SUPPLY						
Supply Voltage	V_{DD}		2.70		5.25	V
Supply Current	I_{DD}	Write to memory			400	μA
Static Supply Current	I_{SD}	$T_A = +25^{\circ}C$ (Note 9)		0.35	1	μA

Note 1: All devices are production tested at $T_A = +25^{\circ}C$ and are guaranteed by design and characterization for $-40^{\circ}C < T_A < +85^{\circ}C$.

Note 2: The DNL and INL are measured with the potentiometer configured as a variable resistor. For the 3-terminal potentiometers (MAX5474/MAX5475), H is unconnected and L = GND. At $V_{DD} = 5.25V$, W is driven with a source current of $80\mu A$ for the $50k\Omega$ configuration, and $40\mu A$ for the $100k\Omega$ configuration. At $V_{DD} = 2.7V$, the wiper terminal is driven with a source current of $40\mu A$ for the $50k\Omega$ configuration, and $20\mu A$ for the $100k\Omega$ configuration.

Note 3: The DNL and INL are measured with the potentiometer configured as a voltage-divider with H = V_{DD} and L = GND (MAX5474/MAX5475 only). The wiper terminal is unloaded.

Note 4: The wiper resistance is the worst value measured by injecting the currents given in Note 2 into W with L = GND.
 $R_W = (V_W - V_H) / I_W$.

Note 5: The device draws higher supply current when digital inputs are driven with voltages between $0.3V \times V_{DD}$ and $0.7 \times V_{DD}$. Drive the digital inputs as close as possible to V_{DD} or GND. (See the *Typical Operating Characteristics* for the Supply Current vs. Digital Input Voltage graph.)

Note 6: Wiper at midscale with a $10pF$ load.

Note 7: Digital timing is guaranteed by design and characterization, and is not production tested.

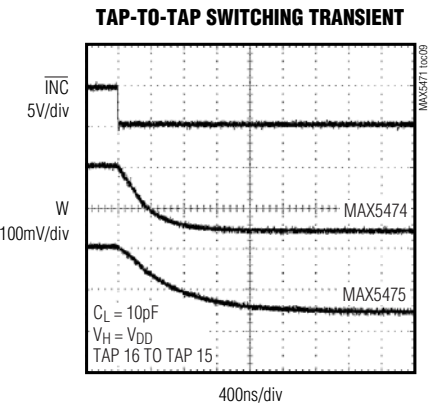
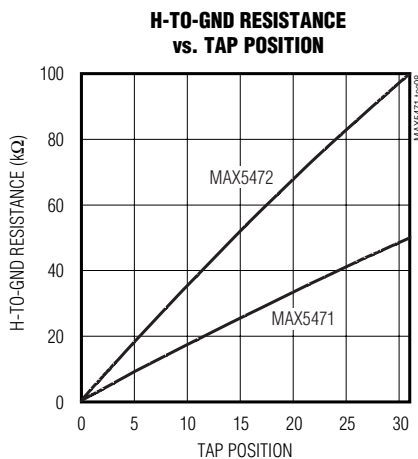
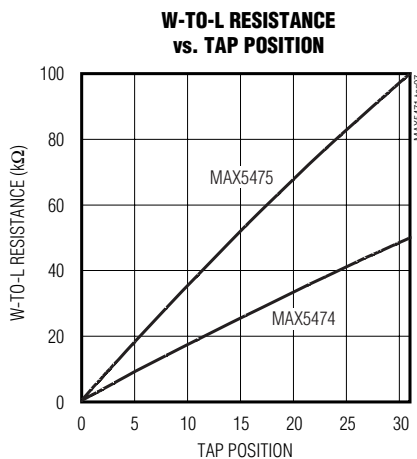
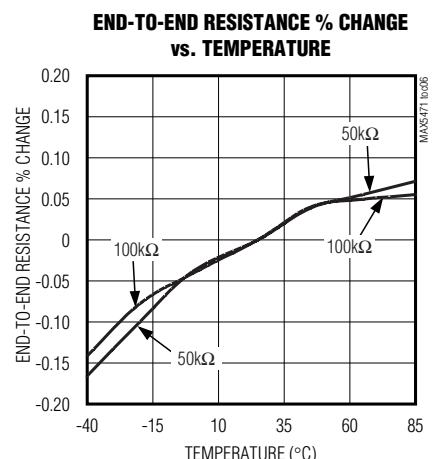
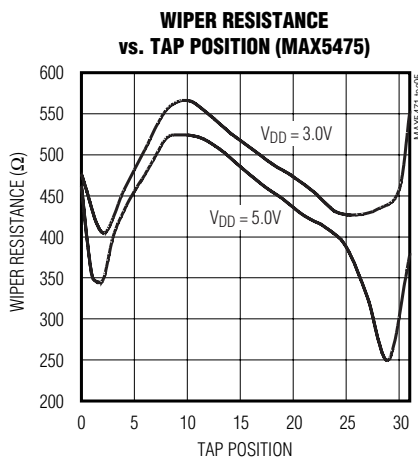
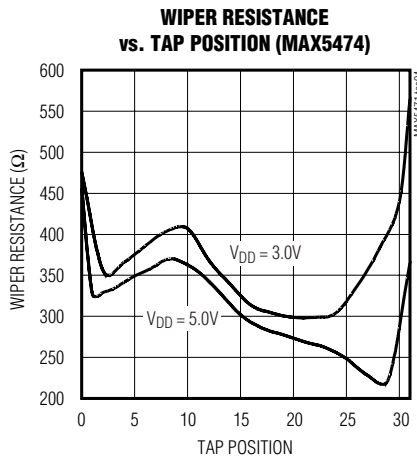
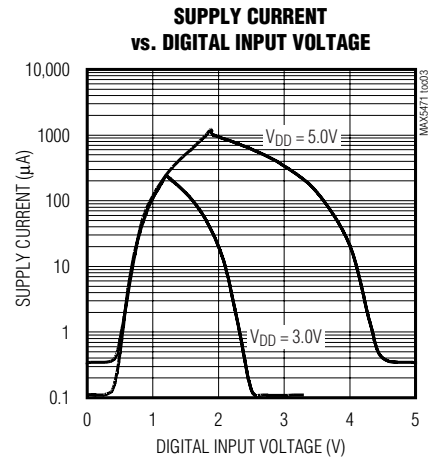
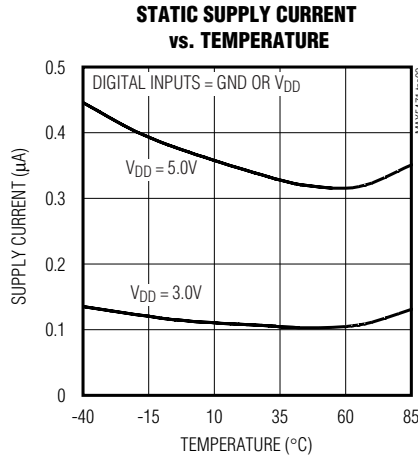
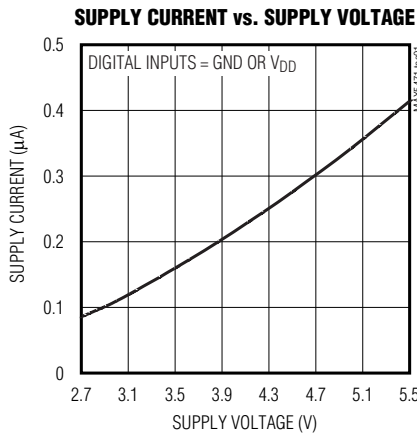
Note 8: Wiper settling time is the worst-case 0% to 50% rise time measured between consecutive wiper positions. H = V_{DD} , L = GND, and the wiper terminal is unloaded and measured with a $10pF$ oscilloscope probe (see the *Typical Operating Characteristics* for the Tap-to-Tap Switching Transient).

Note 9: Digital inputs CS, U/D, and \overline{INC} are connected to GND or V_{DD} . See the *Typical Operating Characteristics* for the Static Supply Current vs. Temperature graph.

32-Tap, Nonvolatile, Linear-Taper Digital Potentiometers in SOT23

Typical Operating Characteristics

($V_{DD} = 5.0V$, $T_A = +25^\circ C$, unless otherwise noted.)

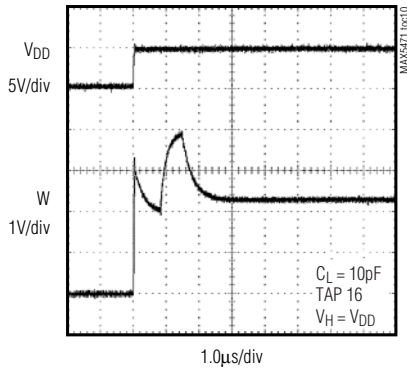


32-Tap, Nonvolatile, Linear-Taper Digital Potentiometers in SOT23

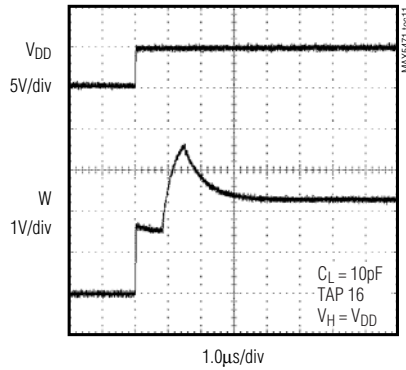
Typical Operating Characteristics (continued)

($V_{DD} = 5.0V$, $T_A = +25^\circ C$, unless otherwise noted.)

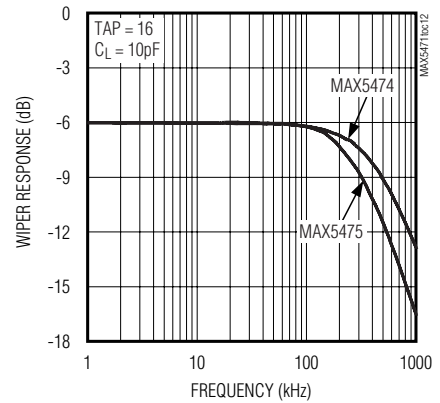
**WIPER TRANSIENT AT POWER-ON
(MAX5474)**



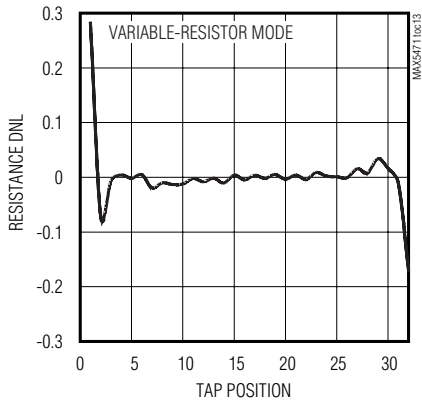
**WIPER TRANSIENT AT POWER-ON
(MAX5475)**



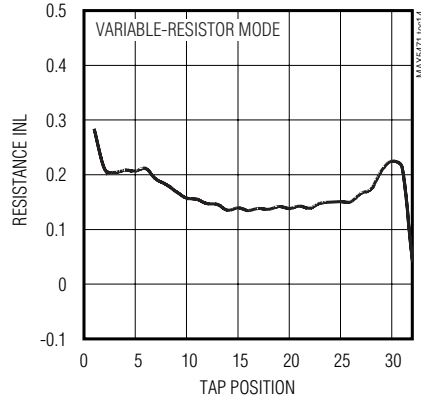
WIPER RESPONSE vs. FREQUENCY



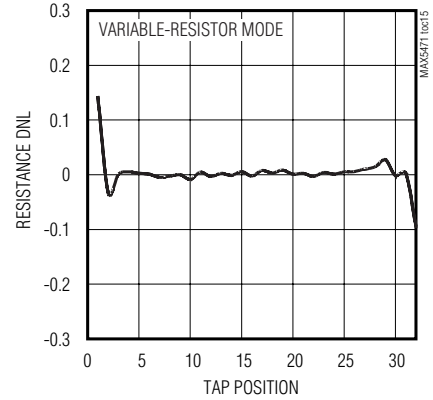
**RESISTANCE DNL vs. TAP POSITION
(MAX5471)**



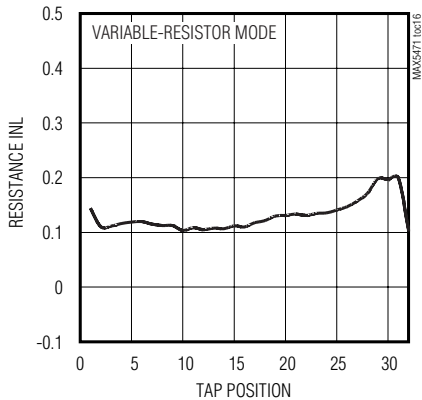
**RESISTANCE INL vs. TAP POSITION
(MAX5471)**



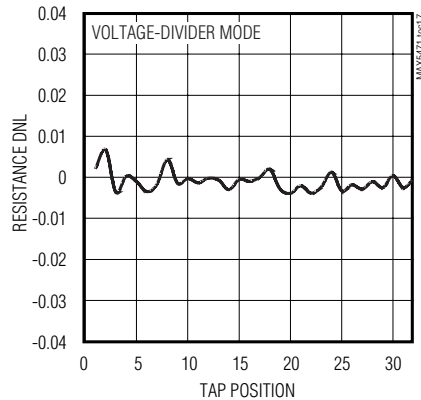
**RESISTANCE DNL vs. TAP POSITION
(MAX5472)**



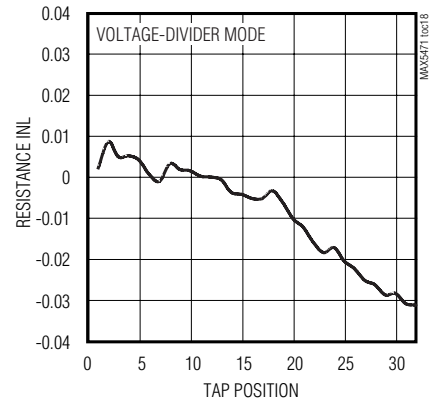
**RESISTANCE INL vs. TAP POSITION
(MAX5472)**



**RESISTANCE DNL vs. TAP POSITION
(MAX5474)**



**RESISTANCE INL vs. TAP POSITION
(MAX5474)**

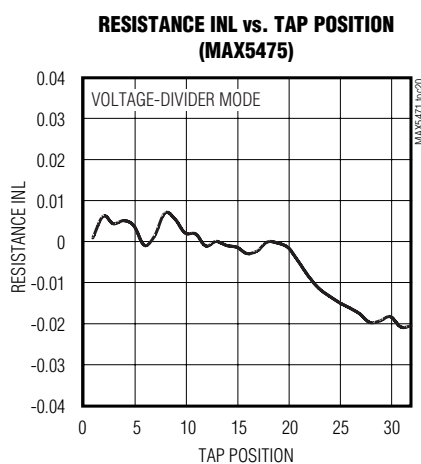
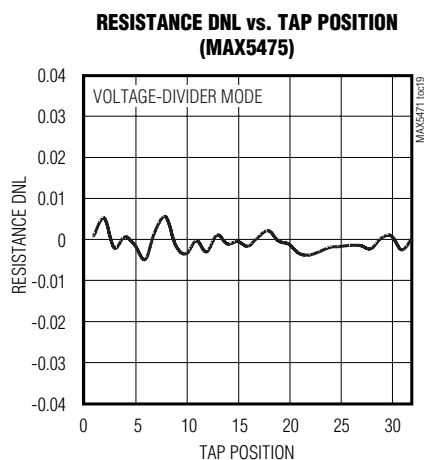


MAX5471/MAX5472/MAX5474/MAX5475

32-Tap, Nonvolatile, Linear-Taper Digital Potentiometers in SOT23

Typical Operating Characteristics (continued)

(V_{DD} = 5.0V, T_A = +25°C, unless otherwise noted.)



Pin Description

PIN		NAME	FUNCTION
MAX5471/ MAX5472	MAX5474/ MAX5475		
1	1	\overline{CS}	Chip-Select Input. Drive low to change wiper position (W) through \overline{INC} and U/\overline{D} . A low-to-high transition with \overline{INC} high stores the wiper position in nonvolatile memory.
2	3	GND	Ground
3	4	U/\overline{D}	Up/Down Control Input. With U/\overline{D} low, a high-to-low \overline{INC} transition decrements the wiper position. With U/\overline{D} high, a high-to-low \overline{INC} transition increments the wiper position.
4	5	\overline{INC}	Wiper Increment Control Input. With \overline{CS} low, the wiper position moves in the direction determined by the state of U/\overline{D} on a high-to-low transition.
5	6	H	High Terminal of Resistor. The voltage at H can be greater than or less than the voltage at L. Current can flow into or out of H.
6	2	V _{DD}	Power Supply
—	7	W	Wiper Terminal of Resistor
—	8	L	Low Terminal of Resistor. The voltage at L can be greater than or less than the voltage at H. Current can flow into or out of L.

32-Tap, Nonvolatile, Linear-Taper Digital Potentiometers in SOT23

MAX5471/MAX5472/MAX5474/MAX5475

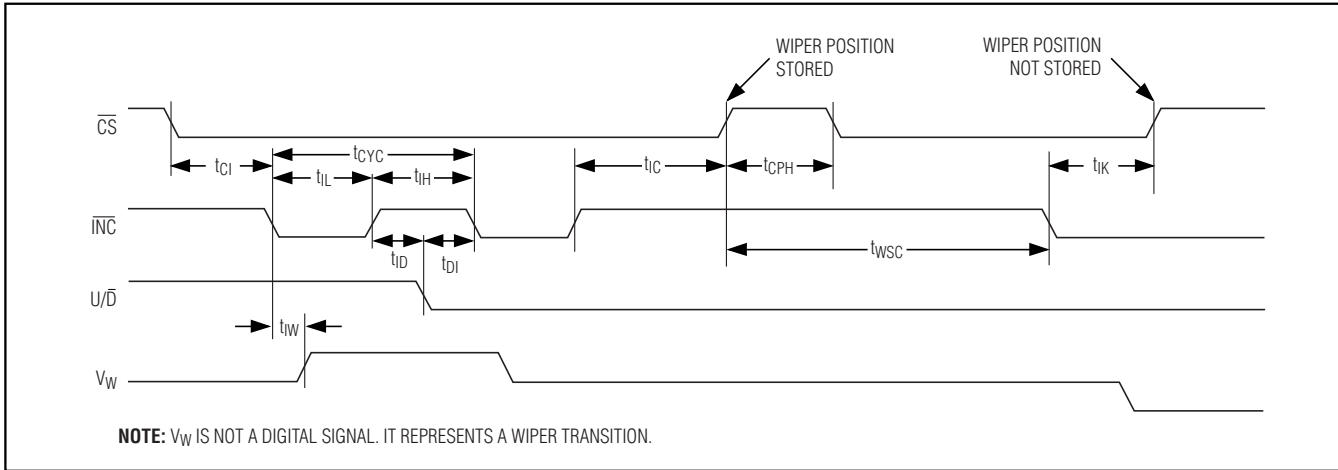


Figure 1. Digital Interface and Timing Diagram

Detailed Description

The MAX5471/MAX5472/MAX5474/MAX5475 contain a resistor array with 31 resistive elements (Figures 2 and 3). The MAX5471/MAX5474 have a total end-to-end resistance of 50k Ω , and the MAX5472/MAX5475 have an end-to-end resistance of 100k Ω . The MAX5471/MAX5472 wiper is connected to the high terminal, and the low terminal is internally connected to ground, making the device a variable resistor. The MAX5474/MAX5475 allow access to the high, low, and wiper terminals for a standard voltage-divider configuration.

The wiper is moved among the 32 tap points through a simple 3-wire interface. Nonvolatile memory allows the wiper position to be stored and recalled to the same point upon power-up.

Digital Interface

Logic inputs \overline{CS} , U/\overline{D} , and \overline{INC} control the wiper position and store it in nonvolatile memory (see the *Truth Table*). The chip-select (\overline{CS}) input enables the serial interface when low and disables the interface when high. The position of the wiper is stored when \overline{CS} transitions from low to high and \overline{INC} is high (see the *Storing Wiper Position* section).

With the serial interface active (\overline{CS} low), a high-to-low (falling edge) transition on \overline{INC} moves the wiper position by one resistive element in the direction determined by the state of U/\overline{D} . If U/\overline{D} is high, the wiper increments and it increases the resistance between W and L (it decreases the resistance between H and W). If U/\overline{D} is low, the wiper decrements and it decreases the resistance between W and L (it increases the resistance between H and W). The direction of the wiper

(state of U/\overline{D}) can be changed at any time as long as the setup and hold times are met.

Since the MAX5471/MAX5472 have the wiper internally connected to H, an increment command increases the resistance between H and GND, and a decrement command decreases the resistance between H and GND.

The wiper performs a make-before-break transition, ensuring that there is never an open circuit during a transition from one resistor tap to another. When the wiper is at either end of the resistor array (max/min), additional transitions in the direction of the endpoint do not change the counter value (the wiper does not wrap around).

Storing Wiper Position

The position of the wiper is stored in nonvolatile memory whenever \overline{CS} transitions low-to-high (rising edge) while \overline{INC} is high. Upon power-up, the wiper returns to this stored position. By keeping \overline{INC} low while taking \overline{CS} high, the serial interface can be disabled and the potentiometer placed in standby without storing the latest wiper position. The factory-default wiper position is midscale.

These devices can also be operated like a one-time programmable (OTP) device. Once the desired wiper position is trimmed and stored in nonvolatile memory, disable the serial interface by connecting \overline{CS} to V_{DD} , and \overline{INC} to GND. The disabled interface places the device in standby and disallows any changes to the wiper position. In OTP mode, these devices become a fixed 3-terminal potentiometer or a 1-terminal resistor to GND with less than 1 μ A of supply current.

32-Tap, Nonvolatile, Linear-Taper Digital Potentiometers in SOT23

Truth Table

\overline{CS}	U/\overline{D}	\overline{INC}	W
L	L	↓	Decrement
L	H	↓	Increment
L	X	↑	No change
H	X	X	No change
↓	X	X	No change
↑	X	L	Position not stored
↑	X	H	Position stored

↓ = High-to-low transition.
 ↑ = Low-to-high transition.
 X = Don't care.

Standby Mode

The MAX5471/MAX5472/MAX5474/MAX5475 are always in standby mode, except during the transition of a logic input or while the wiper position is being stored. When in standby mode, the static supply current is reduced to less than 1µA and the resistive terminals (H, W, and L) are unaffected.

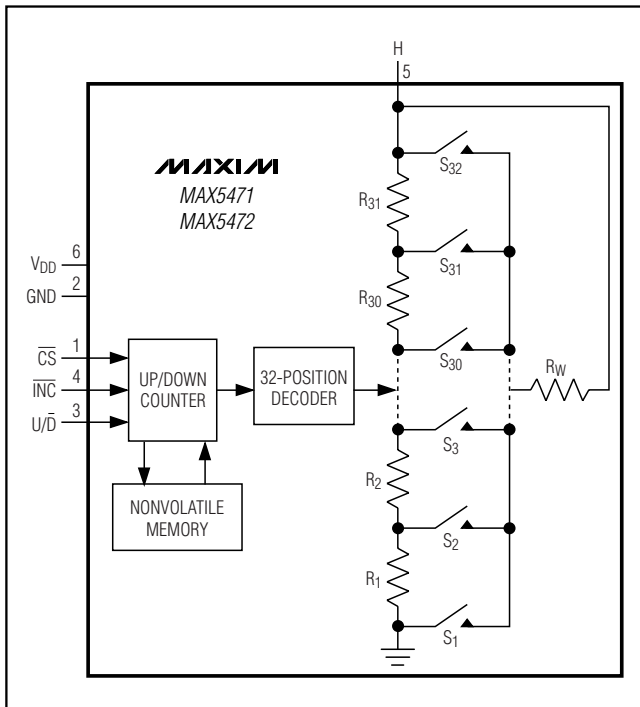


Figure 2. MAX5471/MAX5472 Functional Diagram

Applications Information

The MAX5471/MAX5472/MAX5474/MAX5475 are intended for circuits requiring digitally controlled adjustable resistance, such as LCD contrast control (where voltage biasing adjusts the display contrast), or programmable filters with adjustable gain and/or cutoff frequency.

Positive LCD Bias Control

Figures 4 and 5 show an application where the voltage-divider or variable resistor is used to make an adjustable, positive LCD-bias voltage. The op amp provides buffering and gain to the resistor-divider network made by the potentiometer (Figure 4) or to a fixed resistor and a variable resistor (Figure 5).

Programmable Filter

Figure 6 shows the configuration of a 1st-order programmable filter. The gain of the filter is adjusted by R_2 , and the cutoff frequency is adjusted by R_3 . Use the following equations to calculate the gain (G) and the 3dB cutoff frequency (f_c):

$$G = 1 + \frac{R_1}{R_2}$$

$$f_c = \frac{1}{2\pi \times R_3 \times C}$$

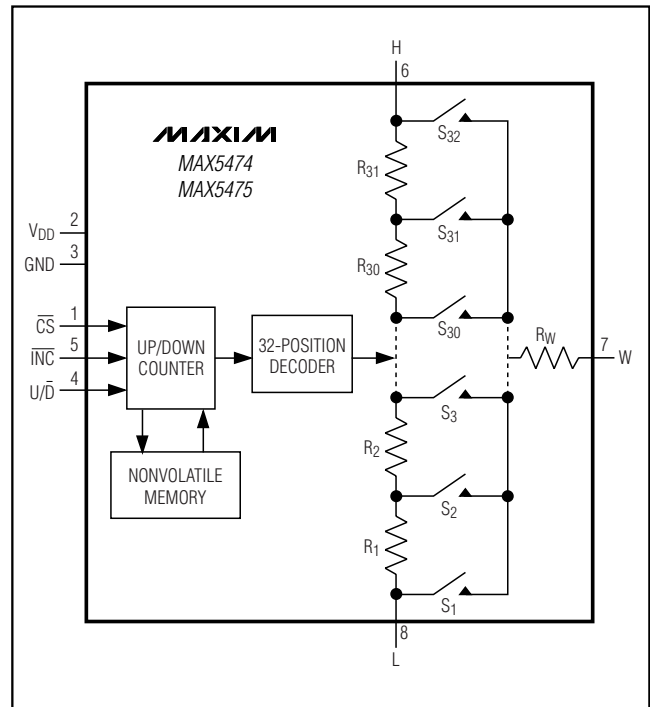


Figure 3. MAX5474/MAX5475 Functional Diagram

32-Tap, Nonvolatile, Linear-Taper Digital Potentiometers in SOT23

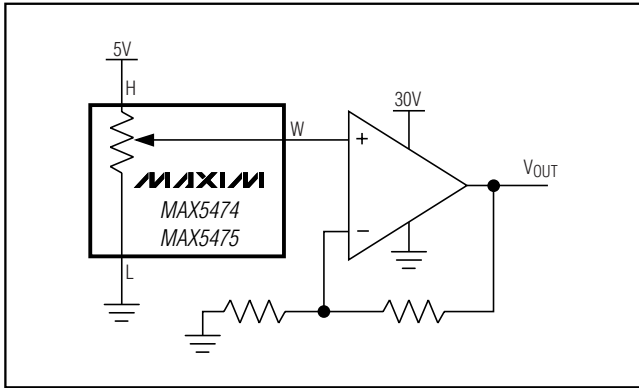


Figure 4. Positive LCD Bias Control Using a Voltage-Divider

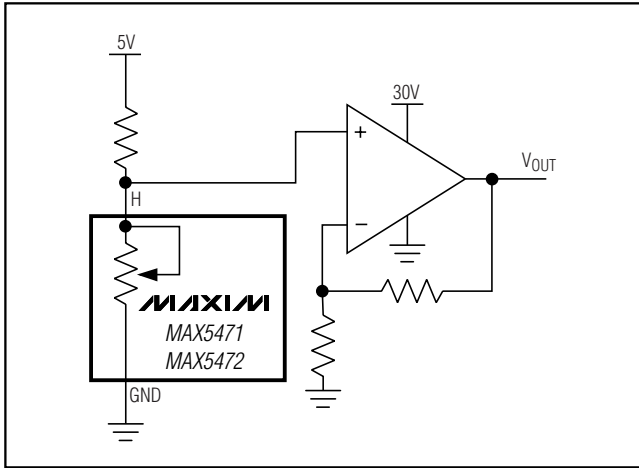


Figure 5. Positive LCD Bias Control Using a Variable Resistor

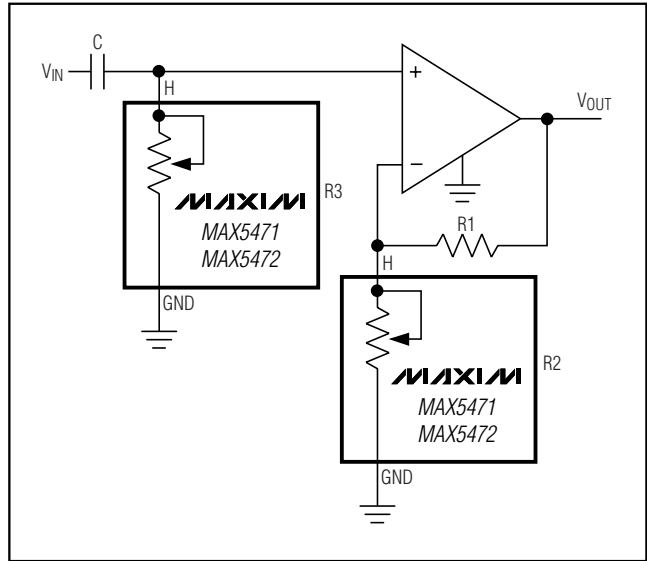


Figure 6. Programmable Filter

Chip Information

TRANSISTOR COUNT: 5031

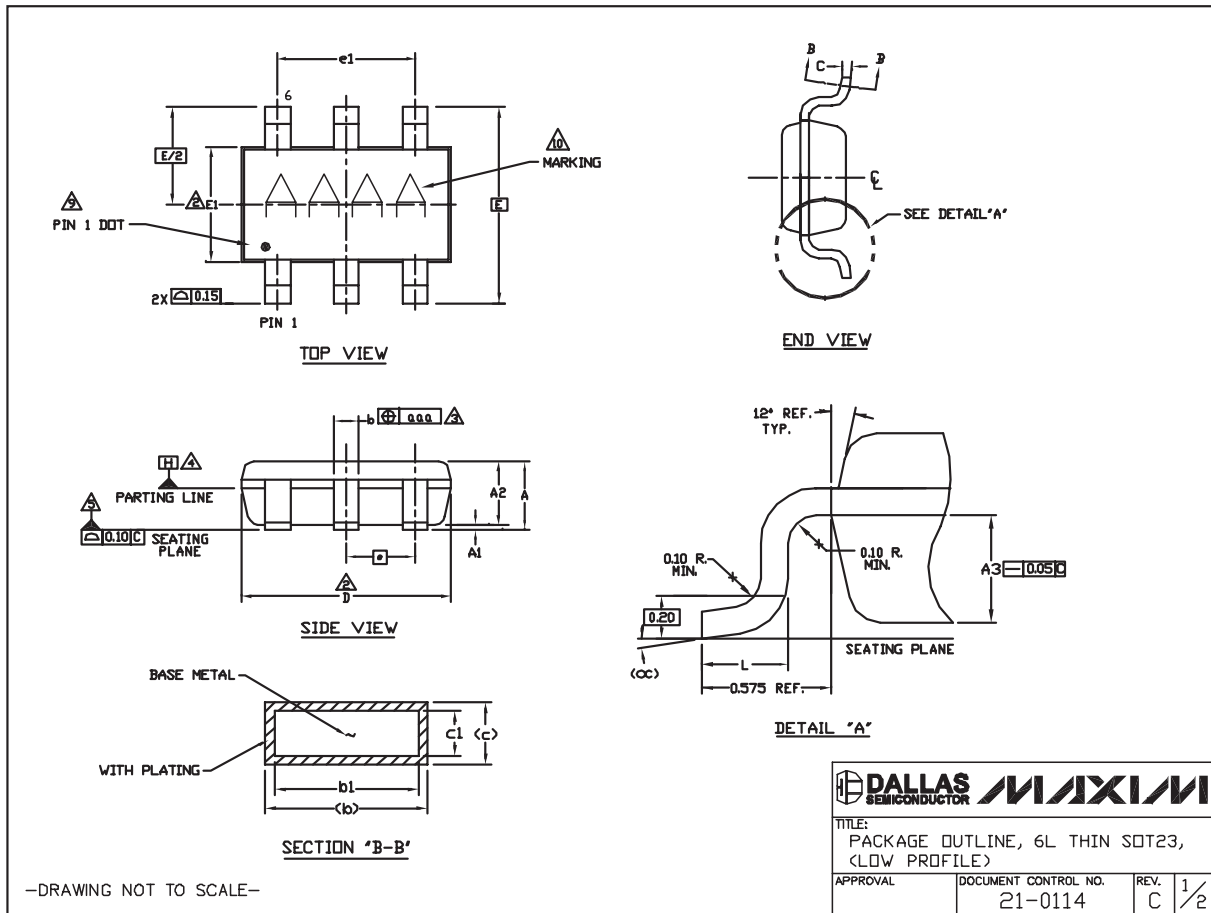
PROCESS: BiCMOS

MAX5471/MAX5472/MAX5474/MAX5475

32-Tap, Nonvolatile, Linear-Taper Digital Potentiometers in SOT23

Package Information

(The package drawing(s) in this data sheet may not reflect the most current specifications. For the latest package outline information, go to www.maxim-ic.com/packages.)



32-Tap, Nonvolatile, Linear-Taper Digital Potentiometers in SOT23


Package Information (continued)

(The package drawing(s) in this data sheet may not reflect the most current specifications. For the latest package outline information, go to www.maxim-ic.com/packages.)

NOTES:

1. ALL DIMENSIONS ARE IN MILLIMETERS.
 2. "D" AND "E1" ARE REFERENCE DATUM AND DO NOT INCLUDE MOLD FLASH OR PROTRUSIONS, AND ARE MEASURED AT THE BOTTOM PARTING LINE. MOLD FLASH OR PROTRUSION SHALL NOT EXCEED 0.15mm ON "D" AND 0.25mm ON "E" PER SIDE.
 3. THE LEAD WIDTH DIMENSION DOES NOT INCLUDE DAMBAR PROTRUSION. ALLOWABLE DAMBAR PROTRUSION SHALL BE 0.07mm TOTAL IN EXCESS OF THE LEAD WIDTH DIMENSION AT MAXIMUM MATERIAL CONDITION.
 4. DATUM PLANE "H" LOCATED AT MOLD PARTING LINE AND COINCIDENT WITH LEAD, WHERE LEAD EXITS PLASTIC BODY AT THE BOTTOM OF PARTING LINE.
 5. THE LEAD TIPS MUST LIE WITHIN A SPECIFIED TOLERANCE ZONE. THIS TOLERANCE ZONE IS DEFINED BY TWO PARALLEL LINES. ONE PLANE IS THE SEATING PLANE, DATUM [C-C-J] AND THE OTHER PLANE IS AT THE SPECIFIED DISTANCE FROM [C-C-J] IN THE DIRECTION INDICATED. FORMED LEADS SHALL BE PLANAR WITH RESPECT TO ONE ANOTHER WITH 0.10mm AT SEATING PLANE.
 6. THIS PART IS COMPLIANT WITH JEDEC SPECIFICATION MO-193 EXCEPT FOR THE "e" DIMENSION WHICH IS 0.95mm INSTEAD OF 1.00mm. THIS PART IS IN FULL COMPLIANCE TO EIAJ SPECIFICATION SC-74.
 7. COPLANARITY APPLIES TO THE EXPOSED PAD AS WELL AS THE TERMINALS. COPLANARITY SHALL NOT EXCEED 0.08mm.
 8. WARPAGE SHALL NOT EXCEED 0.10mm.
 9. THE TERMINAL #1 IDENTIFIER AND TERMINAL NUMBERING CONVENTION SHALL CONFORM TO JEDEC 95-1 PP-012. DETAILS OF TERMINAL #1 IDENTIFIER ARE OPTIONAL. THE TERMINAL #1 IDENTIFIER MAY BE EITHER A MOLD OR MARKED FEATURE.
 10. MARKING IS FOR PACKAGE ORIENTATION REFERENCE ONLY.
11. ALL DIMENSIONS APPLY TO BOTH LEADED (-) AND LEAD FREE (+) PACKAGE CODES.

SYMBOLS			
	MIN	NOM	MAX
A	-	-	1.10
A1	0.00	0.075	0.10
A2	0.85	0.88	0.90
A3	0.50 BSC		
b	0.30	-	0.45
b1	0.25	0.35	0.40
c	0.15	-	0.20
c1	0.12	0.127	0.15
D	2.80	2.90	3.00
E	2.75 BSC		
E1	1.55	1.60	1.65
L	0.30	0.40	0.50
e1	1.90 BSC		
e	0.95 BSC		
OC	0°	4°	8°
aaa	0.20		
Pkg. codes: Z6-1J Z6-2			

	
TITLE: PACKAGE OUTLINE, 6L THIN SOT23, (LOW PROFILE)	
APPROVAL	DOCUMENT CONTROL NO. 21-0114
REV. C	REV. 2/2

-DRAWING NOT TO SCALE-

MAX5471/MAX5472/MAX5474/MAX5475

32-Tap, Nonvolatile, Linear-Taper Digital Potentiometers in SOT23

Package Information (continued)

(The package drawing(s) in this data sheet may not reflect the most current specifications. For the latest package outline information, go to www.maxim-ic.com/packages.)

SYMBOL	MIN	NOM	MAX
A	0.90	1.25	1.45
A1	0.00	0.06	0.15
A2	0.90	1.10	1.30
b	0.22	0.30	0.38
C	0.08	0.15	0.22
D	2.80	2.90	3.00
E	2.60	2.80	3.00
E1	1.50	1.625	1.75
L	0.30	0.45	0.60
L2	0.25 BSC.		
e	0.65 BSC.		
e1	1.95 REF.		
phi	0°	3°	8°

PKG CODES: K8-1, K8-2, K8S-3, K8F-4, K8FH-4, K8-5, K8C-6; K8SN-1; K8CN-1

NOTE:
 1. ALL DIMENSIONS ARE IN MILLIMETERS.
 2. FOOT LENGTH MEASURED FROM LEAD TIP TO UPPER RADIUS OF HEEL OF THE LEAD PARALLEL TO SEATING PLANE C.
 3. PACKAGE OUTLINE EXCLUSIVE OF MOLD FLASH & METAL BURR.
 4. PACKAGE OUTLINE INCLUSIVE OF SOLDER PLATING.
 5. COPLANARITY 4 MILS. MAX.
 6. MARKING IS FOR PACKAGE ORIENTATION REFERENCE ONLY.
 7. SOLDER THICKNESS MEASURED AT FLAT SECTION OF LEAD BETWEEN 0.08mm AND 0.15mm FROM LEAD TIP.
 8. MEETS JEDEC MO178 VARIATION BA.
 9. ALL DIMENSIONS APPLY TO BOTH LEADED (-) AND LEAD FREE (+) PACKAGE CODES.

DETAIL "A"

SEATING PLANE
GAUGE PLANE

DALLAS SEMICONDUCTOR MAXIM

TITLE:
PACKAGE OUTLINE, SOT-23, 8L BODY

APPROVAL	DOCUMENT CONTROL NO. 21-0078	REV. G	1/1
----------	---------------------------------	-----------	-----

—DRAWING NOT TO SCALE—

SOT23, 8L EFS

Maxim cannot assume responsibility for use of any circuitry other than circuitry entirely embodied in a Maxim product. No circuit patent licenses are implied. Maxim reserves the right to change the circuitry and specifications without notice at any time.

12 **Maxim Integrated Products, 120 San Gabriel Drive, Sunnyvale, CA 94086 408-737-7600**

Данный компонент на территории Российской Федерации

Вы можете приобрести в компании MosChip.

Для оперативного оформления запроса Вам необходимо перейти по данной ссылке:

<http://moschip.ru/get-element>

Вы можете разместить у нас заказ для любого Вашего проекта, будь то серийное производство или разработка единичного прибора.

В нашем ассортименте представлены ведущие мировые производители активных и пассивных электронных компонентов.

Нашей специализацией является поставка электронной компонентной базы двойного назначения, продукции таких производителей как XILINX, Intel (ex.ALTERA), Vicor, Microchip, Texas Instruments, Analog Devices, Mini-Circuits, Amphenol, Glenair.

Сотрудничество с глобальными дистрибьюторами электронных компонентов, предоставляет возможность заказывать и получать с международных складов практически любой перечень компонентов в оптимальные для Вас сроки.

На всех этапах разработки и производства наши партнеры могут получить квалифицированную поддержку опытных инженеров.

Система менеджмента качества компании отвечает требованиям в соответствии с ГОСТ Р ИСО 9001, ГОСТ РВ 0015-002 и ЭС РД 009

Офис по работе с юридическими лицами:

105318, г.Москва, ул.Щербаковская д.3, офис 1107, 1118, ДЦ «Щербаковский»

Телефон: +7 495 668-12-70 (многоканальный)

Факс: +7 495 668-12-70 (доб.304)

E-mail: info@moschip.ru

Skype отдела продаж:

moschip.ru

moschip.ru_4

moschip.ru_6

moschip.ru_9