

HCPL-M700/HCPL-M701

Small Outline, 5 Lead, Low Input Current, High Gain Optocouplers



Data Sheet



Description

These small outline, low input current, high gain optocouplers are single channel devices in a five lead miniature footprint. They are electrically equivalent to the following Avago optocouplers:

The SO-5 JEDEC registered (MO-155) package outline does not require “through holes” in a PCB. This package occupies approximately one-fourth the footprint area of the standard dual-in-line package. The lead profile is designed to be compatible with standard surface mount processes.

These high gain series opto-couplers use a Light Emitting Diode and an integrated high gain photo-detector to provide extremely high current transfer ratio between input and output. Separate pins for the photodiode and output stage results in TTL compatible saturation voltages and high speed operation. Where desired the V_{CC} and V_O terminals may be tied together to achieve conventional photo-darlington operation.

The HCPL-M701 is for use in CMOS, LSTTL or other low power applications. A 400% minimum current transfer ratio is guaranteed over a 0-70°C operating range for only 0.5 mA of LED current.

The HCPL-M700 is designed for use mainly in TTL applications. Current Transfer Ratio is 300% minimum over 0-70°C for an LED current of 1.6 mA [1 TTL Unit Load (U.L.)]. A 300% CTR enables operation with 1 U.L. out with a 2.2 kΩ pull-up resistor.

Selection for lower input currents down to 250 μA is available upon request.

SO-5 Package	Standard DIP	SO-8 Package
HCPL-M700	6N138	HCPL-0700
HCPL-M701	6N139	HCPL-0701

Features

- Surface mountable
- Very small, low profile JEDEC registered package outline
- Compatible with infrared vapor phase reflow and wave soldering processes
- High current transfer ratio: 2000%
- Low input current capability: 0.5 mA
- TTL compatible output: $V_{OL} = 0.1 V$
- Guaranteed ac and dc performance over temperature: 0°C to 70°C
- High output current: 60 mA
- Recognized under the component program of U.L. (file No. E55361) for dielectric withstand proof test voltage of 3750 Vac, 1 minute
- Lead free option “-000E”

Applications

- Ground isolate most logic families: TTL/TTL, CMOS/TTL, CMOS/CMOS, LSTTL/TTL, CMOS/LSTTL
- Low input current line receiver
- EIA RS232C line receiver
- Telephone ring detector
- ac line voltage status indicator: low input power dissipation
- Low power systems: ground isolation

CAUTION: The small device geometries inherent to the design of this bipolar component increase the component's susceptibility to damage from electrostatic discharge (ESD). It is advised that normal static precautions be taken in handling and assembly of this component to prevent damage and/or degradation which may be induced by ESD.

Ordering Information

HCPL-M700 and HCPL-M701 are UL Recognized with 3750 V_{rms} for 1 minute per UL1577 and are approved under CSA Component Acceptance Notice #5, File CA 88324.

Part Number	Option		Package	Surface Mount	Gull Wing	Tape & Reel	Quantity
	RoHS Compliant	Non RoHS Compliant					
HCPL-M700	-000E	No option	SO-5				100 per tube
HCPL-M701	-500E	#500		X	X	X	1500 per reel

To order, choose a part number from the part number column and combine with the desired option from the option column to form an order entry.

Example 1:

HCPL-M700-500E to order product of Mini-flat Surface Mount 5-pin package in Tape and Reel packaging with RoHS compliant.

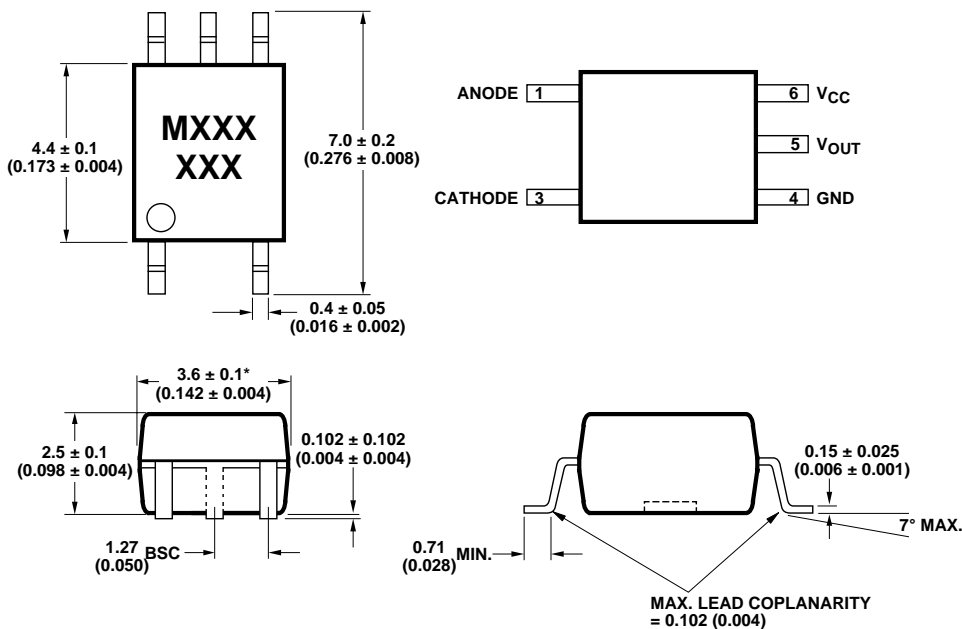
Example 2:

HCPL-M700 to order product of Mini-flat Surface Mount 5-pin package in tube packaging and non RoHS compliant.

Option data sheets are available. Contact your Avago sales representative or authorized distributor for information.

Remarks: The notation '#XXX' is used for existing products, while (new) products launched since 15th July 2001 and RoHS compliant option will use '-XXXE'.

Outline Drawing (JEDEC MO-155)

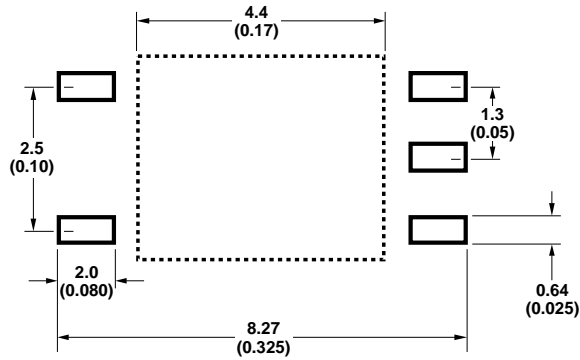


DIMENSIONS IN MILLIMETERS (INCHES)

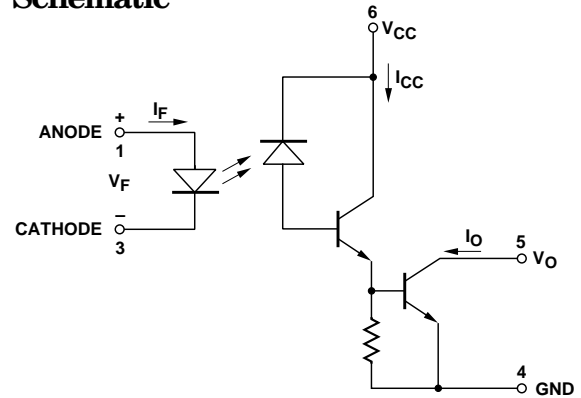
* MAXIMUM MOLD FLASH ON EACH SIDE IS 0.15 mm (0.006)

NOTE: FLOATING LEAD PROTRUSION IS 0.15 mm (6 mils) MAX.

Land Pattern Recommendation



Schematic

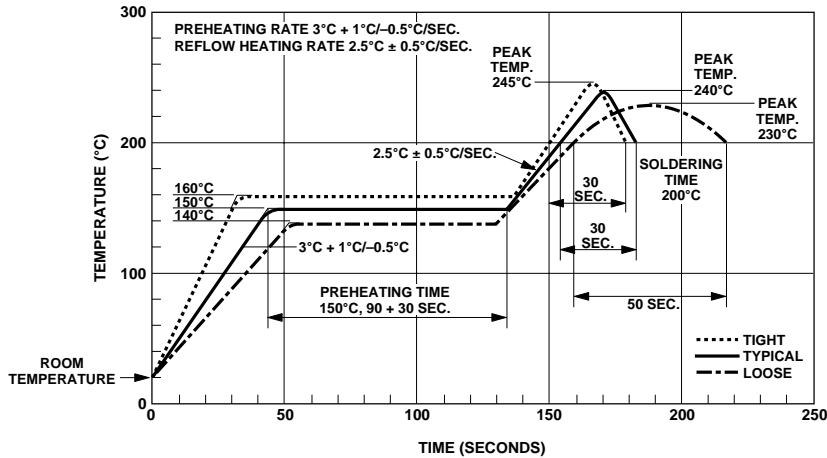


Absolute Maximum Ratings

(No Derating Required up to 85°C)

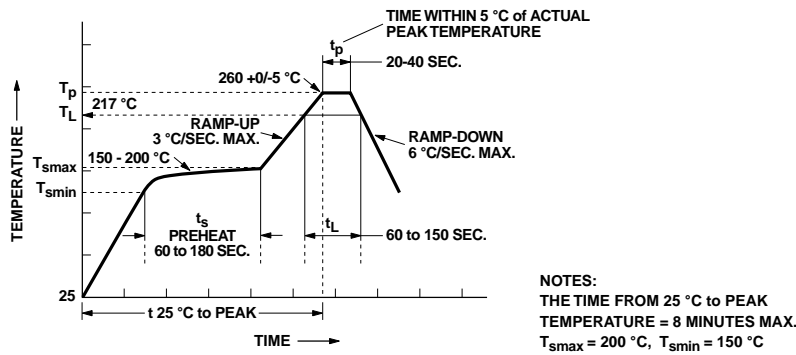
Storage Temperature	-55°C to +125°C
Operating Temperature	-40°C to +85°C
Average Input Current - I_F	20 mA
Peak Input Current - I_F	40 mA
	(50% duty cycle, 1 ms pulse width)
Peak Transient Input Current - I_F	1.0 A
	($\leq 1 \mu\text{s}$ pulse width, 300 pps)
Reverse Input Voltage - V_R	5 V
Input Power Dissipation	35 mW
Output Current - I_O (Pin 5)	60 mA
Supply and Output Voltage - V_{CC} (Pin 6-4), V_O (Pin 5-4)	
HCPL-M700	-0.5 V to 7 V
HCPL-M701	-0.5 V to 18 V
Output Power Dissipation	100 mW
Infrared and Vapor Phase Reflow Temperature	see below

Solder Reflow Thermal Profile



Note: Non-halide flux should be used.

Recommended Pb-Free IR Profile



Note: Non-halide flux should be used.

Insulation Related Specifications

Parameter	Symbol	Value	Units	Conditions
Min. External Air Gap (Clearance)	L(IO1)	≥ 5	mm	Measured from input terminals to output terminals
Min. External Tracking Path (Creepage)	L(IO2)	≥ 5	mm	Measured from input terminals to output terminals
Min. Internal Plastic Gap (Clearance)		0.08	mm	Through insulation distance conductor to conductor
Tracking Resistance	CTI	175	V	DIN IEC 112/VDE 0303 Part 1
Isolation Group (per DIN VDE 0109)		IIIa		Material Group DIN VDE 0109

Electrical Specifications

Over recommended temperature ($T_A = 0^\circ\text{C}$ to 70°C) unless otherwise specified. (See note 6.)

Parameter	Symbol	Device HCPL-	Min.	Typ.*	Max.	Units	Test Conditions	Fig.	Note
Current Transfer Ratio	CTR	M701	400	2000	3500	%	$I_F = 0.5\text{ mA}, V_O = 0.4\text{ V},$ $V_{CC} = 4.5\text{ V}$ $I_F = 1.6\text{ mA}, V_O = 0.4\text{ V},$ $V_{CC} = 4.5\text{ V}$	2, 3	1
		M700	300	1600	2600		$I_F = 1.6\text{ mA}, V_O = 0.4\text{ V},$ $V_{CC} = 4.5\text{ V}$		
Logic Low Output Voltage	V_{OL}	M701		0.1	0.4	V	$I_F = 1.6\text{ mA}, I_O = 8\text{ mA},$ $V_{CC} = 4.5\text{ V}$ $I_F = 5\text{ mA}, I_O = 15\text{ mA},$ $V_{CC} = 4.5\text{ V}$ $I_F = 12\text{ mA}, I_O = 24\text{ mA},$ $V_{CC} = 4.5\text{ V}$	1	
		M700		0.1	0.4		$I_F = 1.6\text{ mA}, I_O = 24\text{ mA},$ $V_{CC} = 4.5\text{ V}$		
Logic High Output	I_{OH}	M701		0.05	100	μA	$I_F = 0\text{ mA},$ $V_O = V_{CC} = 18\text{ V}$		
		M700		0.1	250		$I_F = 0\text{ mA},$ $V_O = V_{CC} = 7\text{ V}$		
Logic Low Supply Current	I_{CCL}			0.4	1.5	mA	$I_F = 1.6\text{ mA}, V_O = \text{Open},$ $V_{CC} = 18\text{ V}$		
Logic High Supply Current	I_{CCH}			0.01	10	μA	$I_F = 0\text{ mA}, V_O = \text{Open},$ $V_{CC} = 18\text{ V}$		
Input Forward Voltage	V_F			1.4	1.7	V	$T_A = 25^\circ\text{C}$ $I_F = 1.6\text{ mA}$	4	
					1.75				
Input Reverse Breakdown Voltage	BV_R		5				$I_R = 10\text{ }\mu\text{A}$		
Temperature Coefficient of Forward Voltage	$\Delta V_F/\Delta T_A$			-1.8		mV/ $^\circ\text{C}$	$I_F = 1.6\text{ mA}$		
Input Capacitance	C_{IN}			60		pF	$f = 1\text{ MHz}, V_F = 0$		
Input-Output Insulation	V_{ISO}		3750			V_{RMS}	$RH \leq 50\%, t = 1\text{ min},$ $T_A = 25^\circ\text{C}$		2, 3
Resistance (Input-Output)	R_{I-O}			10^{12}		Ω	$V_{I-O} = 500\text{ V}_{DC}$		2
Capacitance (Input-Output)	C_{I-O}			0.6		pF	$f = 1\text{ MHz}$		2

*All typicals at $T_A = 25^\circ\text{C}, V_{CC} = 5\text{ V}$.

Switching Specifications

Over recommended temperature ($T_A = 0^\circ\text{C}$ to 70°C), $V_{CC} = 5\text{ V}$, unless otherwise specified.

Parameter	Sym- bol	Device HCPL-	Min.	Typ.*	Max.	Unit	Test Conditions	Fig.	Note
Propagation Delay Time to Logic Low at Output	t_{PHL}	M701		25	75	μs	$T_A = 25^\circ\text{C}$	$I_F = 0.5\text{ mA}$, $R_L = 4.7\text{ k}\Omega$	5, 6, 7
					100				
				0.5	2		$T_A = 25^\circ\text{C}$	$I_F = 12\text{ mA}$, $R_L = 270\ \Omega$	
		M700		5	20		$T_A = 25^\circ\text{C}$		
					25				
Propagation Delay Time to Logic High at Output	t_{PLH}	M701		10	60	μs	$T_A = 25^\circ\text{C}$	$I_F = 0.5\text{ mA}$, $R_L = 4.7\text{ k}\Omega$	5, 6, 7
					90				
				1	10		$T_A = 25^\circ\text{C}$	$I_F = 12\text{ mA}$, $R_L = 270\ \Omega$	
		M700		10	35		$T_A = 25^\circ\text{C}$		
					50				
Common Mode Transient Immunity at Logic High Output	$ CM_H $		1,000	10,000		$\text{V}/\mu\text{s}$	$I_F = 0\text{ mA}$ $R_L = 2.2\text{ k}\Omega$ $ V_{CM} = 10V_{\text{p-p}}$	8	4, 5
Common Mode Transient Immunity at Logic Low Output	$ CM_L $		1,000	10,000		$\text{V}/\mu\text{s}$	$I_F = 1.6\text{ mA}$ $R_L = 2.2\text{ k}\Omega$ $ V_{CM} = 10V_{\text{p-p}}$	8	4, 5

*All typicals at $T_A = 25^\circ\text{C}$.

Notes:

- dc CURRENT TRANSFER RATIO in percent is defined as the ratio of output collector current, I_O , to the forward LED input current, I_F , times 100.
- Device considered a two terminal device: pins 1 and 3 shorted together, and pins 4, 5 and 6 shorted together.
- In accordance with UL 1577, each optocoupler is proof tested by applying an insulation test voltage $\geq 4500 V_{\text{RMS}}$ for 1 second (leakage detection current limit, $I_{L-O} \leq 5\ \mu\text{A}$).
- Common transient immunity in a Logic High level is the maximum tolerable (positive) dV_{CM}/dt on the rising edge of the common mode pulse, V_{CM} , to assure that the output will remain in a Logic High state (i.e., $V_O > 2.0\text{ V}$). Common mode transient immunity in a Logic Low level is the maximum tolerable (negative) dV_{CM}/dt on the falling edge of the common mode pulse signal, V_{CM} , to assure that the output will remain in a Logic Low state (i.e., $V_O < 0.8\text{ V}$).
- In applications where dV/dt may exceed $50,000\text{ V}/\mu\text{s}$ (such as static discharge) a series resistor, R_{CC} , should be included to protect the detector IC from destructively high surge currents. The recommended value is $R_{CC} = 220\ \Omega$.
- Use of a $0.1\ \mu\text{F}$ bypass capacitor connected between pins 4 and 6 is recommended.

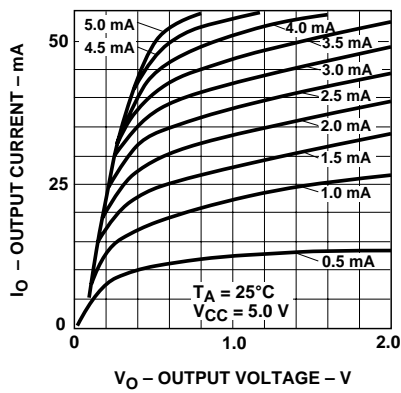


Figure 1. dc Transfer Characteristics.

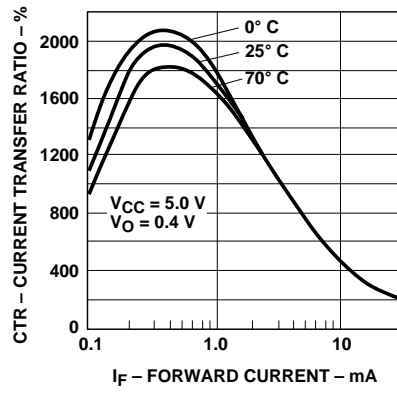


Figure 2. Current Transfer Ratio vs. Forward Current.

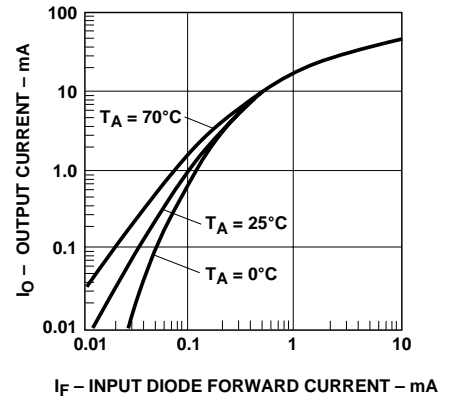


Figure 3. Output Current vs. Input Diode Forward Current.

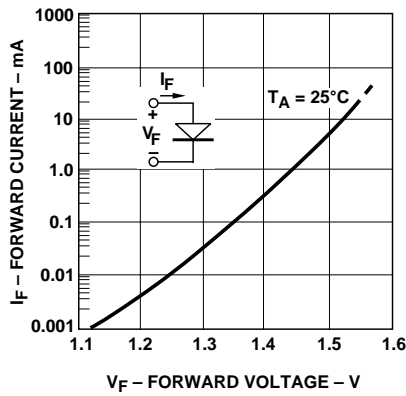


Figure 4. Input Diode Forward Current vs. Forward Voltage.

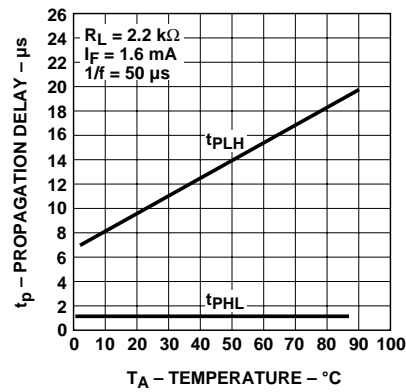


Figure 5. Propagation Delay vs. Temperature.

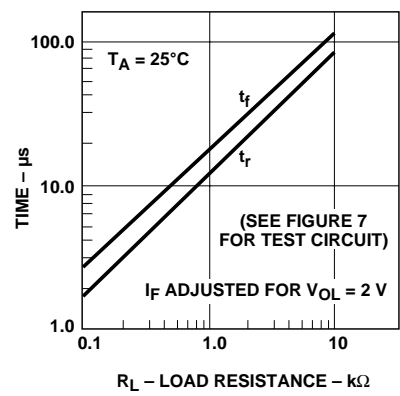


Figure 6. Non-Saturated Rise and Fall Times vs. Load Resistance.

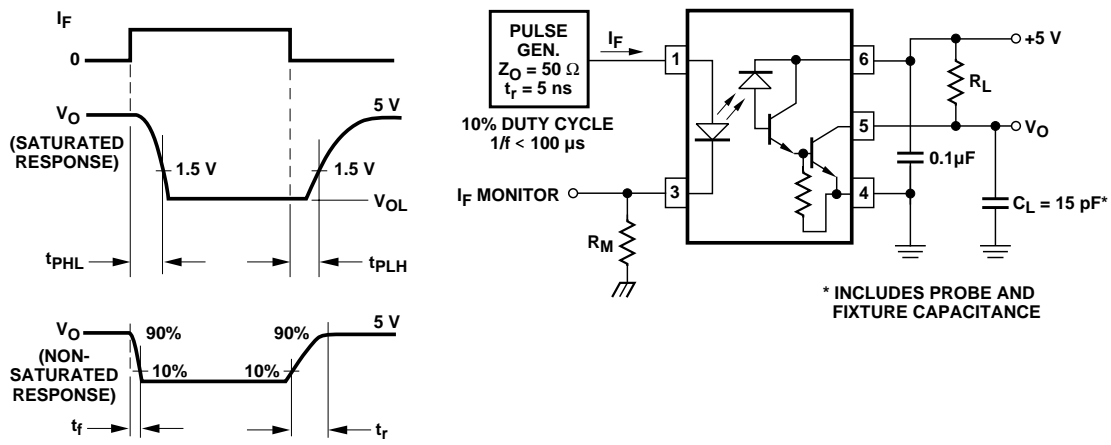


Figure 7. Switching Test Circuit.

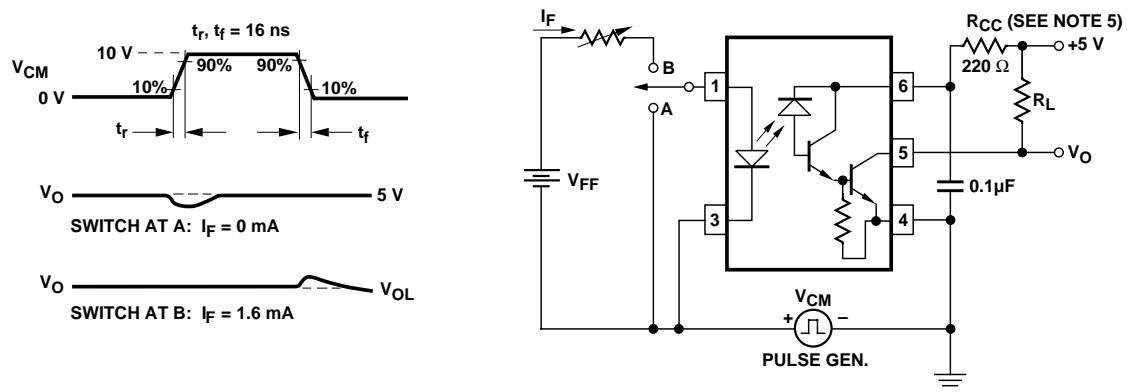


Figure 8. Test Circuit for Transient Immunity and Typical Waveforms.

For product information and a complete list of distributors, please go to our website: www.avagotech.com

Avago, Avago Technologies, and the A logo are trademarks of Avago Technologies Limited in the United States and other countries.
Data subject to change. Copyright © 2007 Avago Technologies Limited. All rights reserved. Obsoletes AV01-0548EN
AV02-0238EN May 11, 2007



Данный компонент на территории Российской Федерации

Вы можете приобрести в компании MosChip.

Для оперативного оформления запроса Вам необходимо перейти по данной ссылке:

<http://moschip.ru/get-element>

Вы можете разместить у нас заказ для любого Вашего проекта, будь то серийное производство или разработка единичного прибора.

В нашем ассортименте представлены ведущие мировые производители активных и пассивных электронных компонентов.

Нашей специализацией является поставка электронной компонентной базы двойного назначения, продукции таких производителей как XILINX, Intel (ex.ALTERA), Vicor, Microchip, Texas Instruments, Analog Devices, Mini-Circuits, Amphenol, Glenair.

Сотрудничество с глобальными дистрибьюторами электронных компонентов, предоставляет возможность заказывать и получать с международных складов практически любой перечень компонентов в оптимальные для Вас сроки.

На всех этапах разработки и производства наши партнеры могут получить квалифицированную поддержку опытных инженеров.

Система менеджмента качества компании отвечает требованиям в соответствии с ГОСТ Р ИСО 9001, ГОСТ РВ 0015-002 и ЭС РД 009

Офис по работе с юридическими лицами:

105318, г.Москва, ул.Щербаковская д.3, офис 1107, 1118, ДЦ «Щербаковский»

Телефон: +7 495 668-12-70 (многоканальный)

Факс: +7 495 668-12-70 (доб.304)

E-mail: info@moschip.ru

Skype отдела продаж:

moschip.ru

moschip.ru_4

moschip.ru_6

moschip.ru_9