



1.0 Introduction

1.1 Overview

AMIS-492x0 Fieldbus MAU (media access unit) is a transceiver chip for low speed FOUNDATION Fieldbus® and Profibus® PA devices. The AMIS-49200 was originally designed to be a near pin-for-pin replacement of the Yokogawa μ SAA22Q MAU. "Near pin-for-pin" means that associated component values may change, but no board changes are required. A micro-leadframe package option (NQFP) is also available, the AMIS-49250.

1.2 Definitions, Acronyms and Abbreviations

IC	- Integrated circuit
ESD	- Electrostatic discharge
FF	- FOUNDATION Fieldbus
LQFP	- Low profile quad flat pack
Manchester	- Communications encoding scheme implemented in FOUNDATION Fieldbus
MAU	- Medium attachment unit
MDS	- Medium dependent sub-layer
NQFP	- "Near chip-scale" quad flat pack
μ SAA22Q	- Name of Yokogawa's MAU IC

1.3 References

- Fieldbus Medium Attachment Unit (MAU) Chip, μ SAA22Q, Yokogawa Electric Corporation, June 12, 1998, Document No.: SS-96-01 (Rev.3).
- Fieldbus Standard for Use in Industrial Control Systems Part 2: Physical Layer Specification and Service Definition, Amendment to Clause 22 ISA/SP50 –1996-544B, dS50.02, Part 2, Draft Standard.
- Profibus PA specifications EN 50170 (formerly DIN 19245) covers all of Profibus and includes PA (31.25 kbps Intrinsically Safe Physical Layer), references IEC 61158-2.

AMIS-492x0

2.0 AMIS-492x0 Fieldbus MAU Description

2.1 Features

AMIS-492x0 Fieldbus MAU is a transceiver IC for low speed FOUNDATION Fieldbus and Profibus PA devices. It incorporates the following features:

- All node power can be supplied by the bus, via the AMIS-492x0
- Current consumption 500uA (typ)
- VCC voltage: 6.2V to 4.75V
- VDD voltage: 5.5V to 2.7V
- Compatible to IEC 1158-2 and ISA 50.02
- Shunt regulator
- Voltage reference (internal only)
- Series regulator
- Band-pass filter
- Slew rate control
- Segment current control
- Low voltage detection
- Carrier detect
- Data rate: 31.25kbps voltage mode
- Dual voltage supply 3-6.2V
- 44-pin LQFP/NQFP package

AMIS-492x0

2.2 Block Diagram

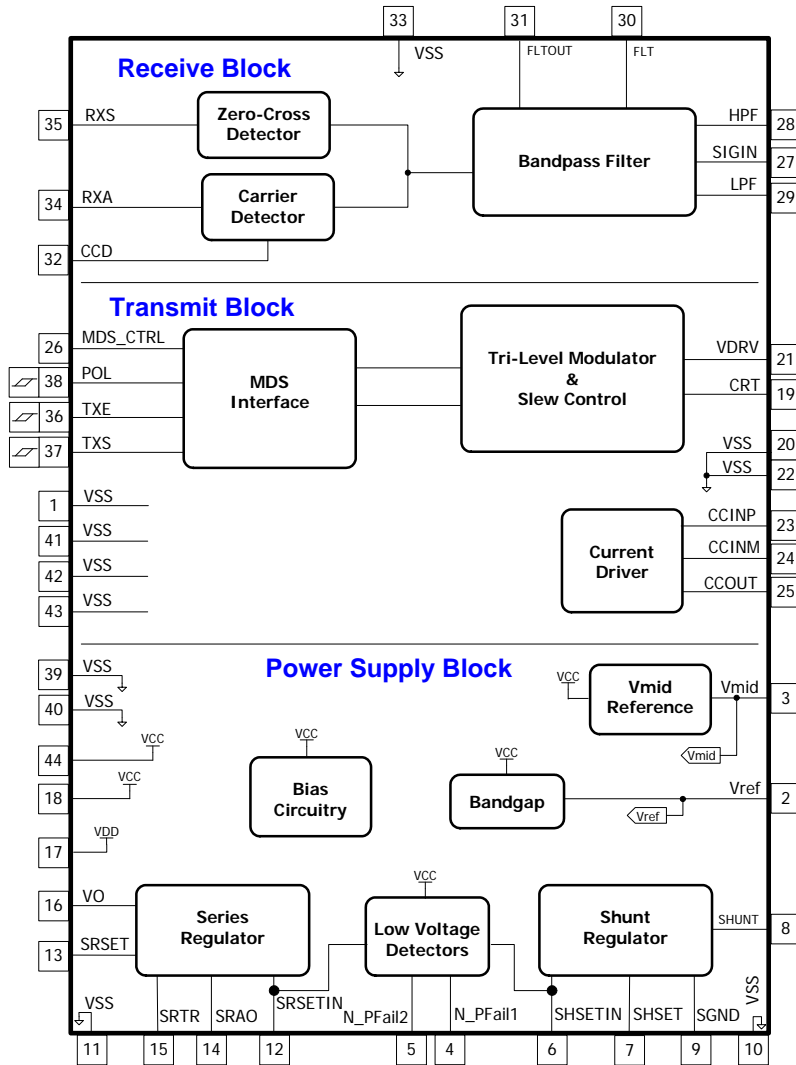


Figure 1: AMIS-492x0 Fieldbus MAU Block Diagram

AMIS-492x0

2.3 Package Information

The IC is packaged as shown below.

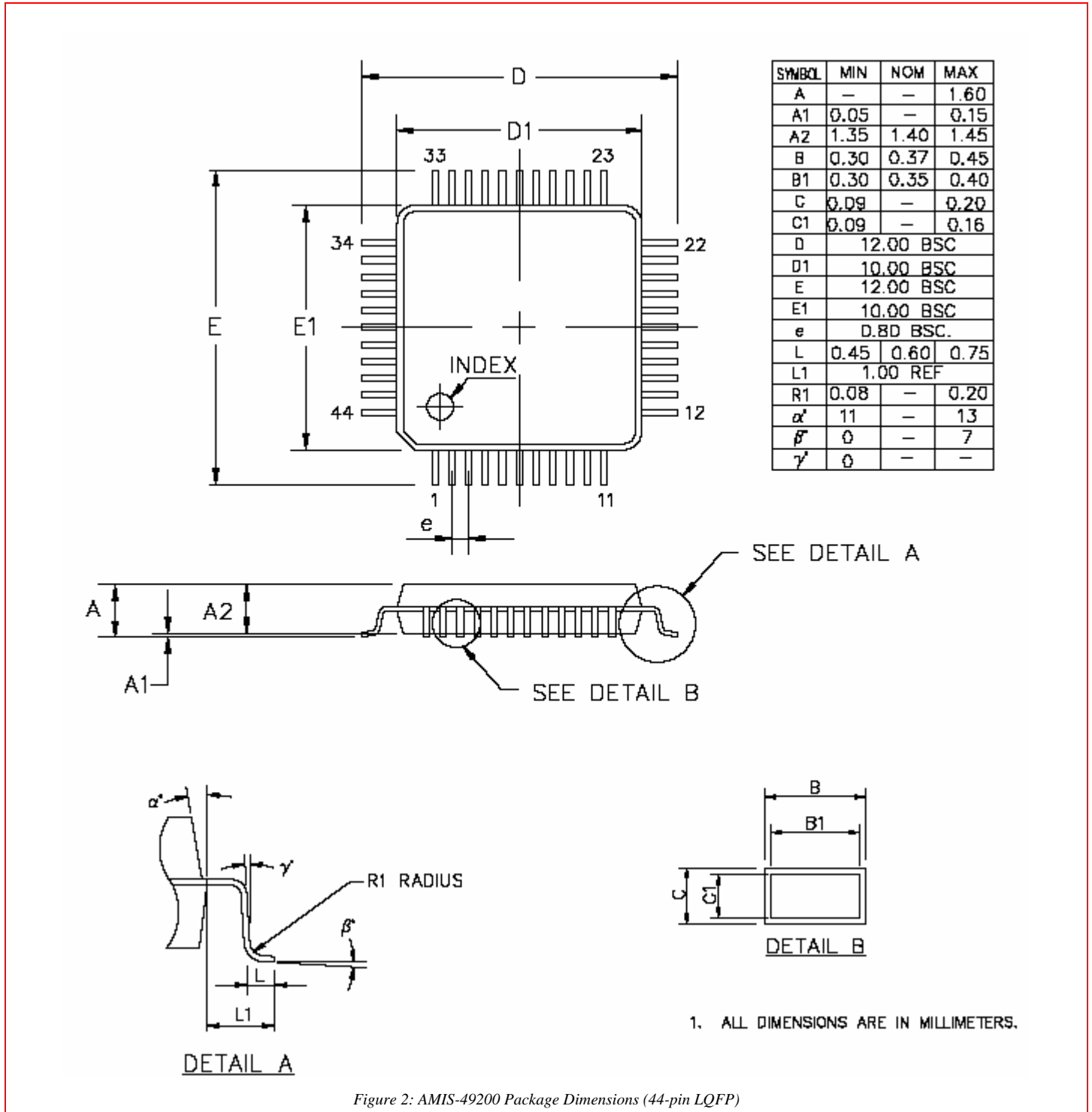
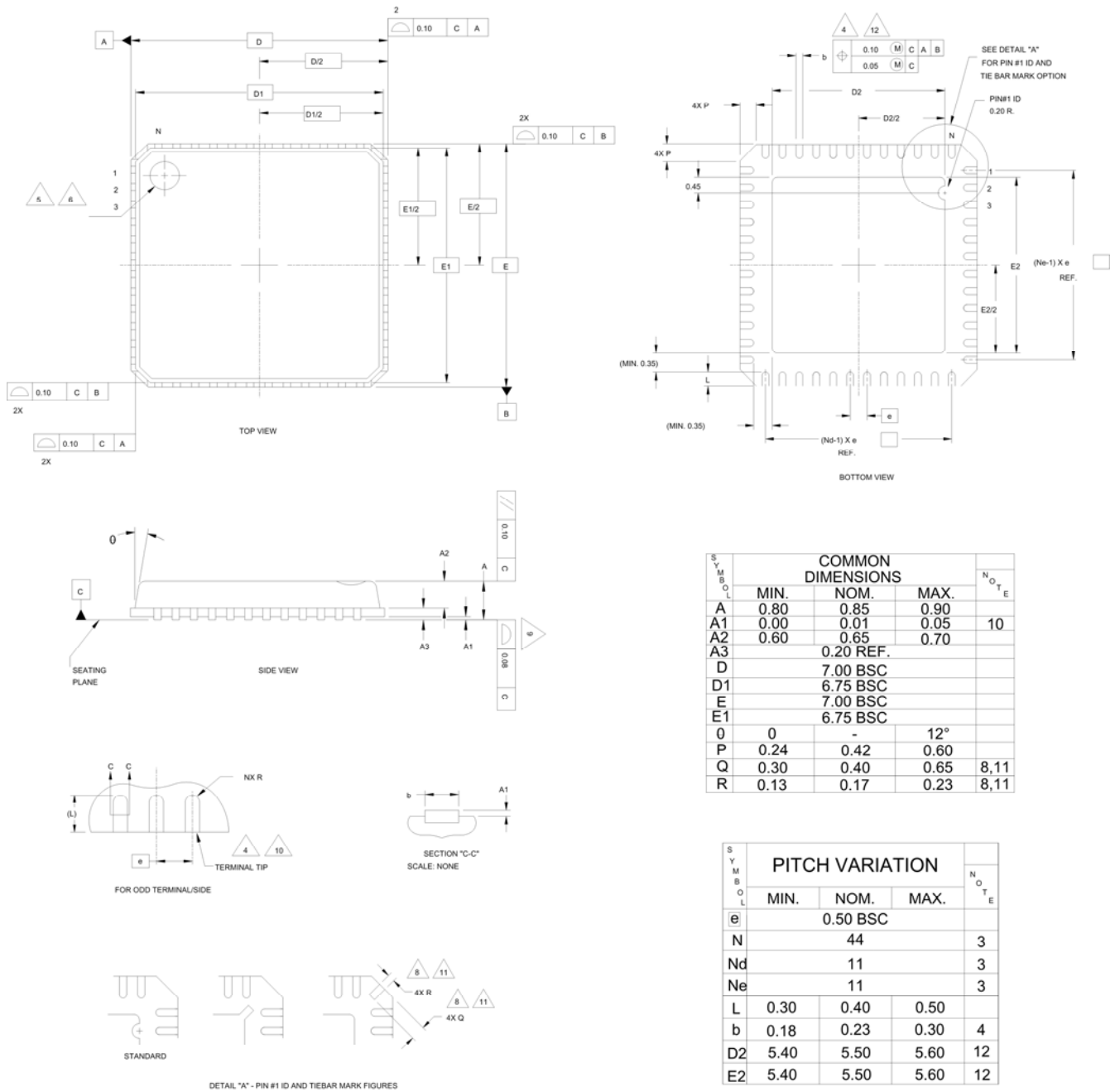


Figure 2: AMIS-49200 Package Dimensions (44-pin LQFP)

AMIS-492x0



- NOTES:**
1. DIE THICKNESS ALLOWABLE IS 0.305mm MAXIMUM(.012 INCHES MAXIMUM)
 2. DIMENSIONING & TOLERANCES CONFORM TO ASME Y14.5M - 1994.
 3. N IS THE NUMBER OF TERMINALS.
Nd IS THE NUMBER OF TERMINALS IN X-DIRECTION &
Ne IS THE NUMBER OF TERMINALS IN Y-DIRECTION.
 4. DIMENSION b APPLIES TO PLATED TERMINAL AND IS MEASURED BETWEEN 0.15 AND 0.30mm FROM TERMINAL TIP.
 5. THE PIN #1 IDENTIFIER MUST BE EXISTED ON THE TOP SURFACE OF THE PACKAGE BY USING INDENTATION MARK OR OTHER FEATURE OF PACKAGE BODY.
 6. EXACT SHAPE AND SIZE OF THIS FEATURE IS NOT TO SCALE.

7. ALL DIMENSIONS ARE IN MILLIMETERS.
8. THE SHAPE SHOWN ON FOUR CORNERS ARE NOT ACTUAL I/O.
9. BILATERAL COPLANARITY ZONE APPLIES TO THE EXPOSED PAD AS WELL AS THE TERMINALS.
10. APPLIED ONLY FOR TERMINALS.
11. Q AND R APPLIES ONLY FOR STRAIGHT TIEBAR SHAPES.
12. EXPOSED PAD VARIATION

Figure 3: AMIS-49250 Package Dimensions (44-pin NQFP)

AMIS-492x0

Table 1: Pin Numbers and Signal Description

Signal Name	Pin No.	I/O (Note 1)	Description
VSS	1	Ground	Connect to ground
VREF	2	AO	Internal bandgap voltage (1.18V)
VMID	3	AO	2V bias voltage for AC signals
N_PFAIL1	4	AI/O	Power fail alarm at VCC input. This pin is an open-drain output of negative logic.
N_PFAIL2	5	AI/O	Power fail alarm at VDD input. This pin is an open-drain output of negative logic.
SHSETIN	6	AI	Feedback (non-inverting) input for the shunt regulator
SHSET	7	AO	Divided voltage of VCC input. Feeding this voltage to SHSETIN pin results in 5V voltage at VCC.
SHUNT	8	AI	Control pin of the shunt regulator. Its sink current (25mA max) is controlled so that the voltage at SHSETIN is equal to V_{REF} (1.18V).
VSS/ SGND	9	Ground	The current absorbed by SHUNT pin (25mA max) is fed to this pin, which must be connected to the ground level
VSS	10	Ground	Ground
VSS	11	Ground	Ground
SRSETIN	12	AI	Feedback (inverting) input for the series regulator. The series regulator controls its output (SRAO) to make this input voltage is equal to VREF (1.18V).
SRSET	13	AO	Divided voltage of VO output. Feeding this voltage into SRSETIN pin results in 3V at VO pin.
SRAO	14	AO	Output pin of an operational amplifier for the series regulator
SRTR	15	AI	Gate of a PMOS transistor for the series regulator
VO	16	AO	Output pin of the series regulator (20mA max)
VDD	17	Digital supply	Supply voltage input for digital block
VCC	18	Analog supply	Analog supply voltage
CRT	19	AI/O	Current integration to limit output slew rate
VSS	20	Ground	Ground
VDRV	21	AO	Output of an operational amplifier for slew rate control. This signal can be fed to current driver.
VSS	22	Ground	Ground
CCINP	23	AI	Non-inverting input of an operational amplifier for transmission current driver
CCINM	24	AI	Inverting input of an operational amplifier for transmission current driver
CCOUT	25	AO	Output of an operational amplifier for transmission current driver
MDS_CTRL	26	AI	For POL = VDD MDS_CTRL should = VSS For POL = VSS MDS_CTRL can be tied to VDD or used as a not reset to control when transmit communications will be enabled
SIGIN	27	AI	Input pin of the band-pass filter. This pin is connected to VMID bias level with 270K resistor.
HPF	28	AI	Feedback signal of high-pass filter. This pin is connected to the output of an op-amp for high pass filter with 75K resistor.
LPF	29	AI	Non-inverting input of an operational amplifier for the low-pass filter
FLT	30	AI	Input pin of low-pass filter for feedback. This pin is connected to the output of the high-pass filter through 20kΩ and the non-inverting input of the low-pass filter through 54kΩ resistors.
FLTOUT	31	AO	Output of the operational amplifier for the low-pass filter. This signal is internally connected to non-inverting input to form a voltage-follower.
CCD	32	AO	Current integration (for carrier detect circuit)
VSS	33	Ground	Ground

AMIS-492x0

Table 1: Pin Numbers and Signal Description (Continued)

Signal Name	Pin No.	I/O(Note 1)	Description
RXA	34	DO	MDS-MAU interface signal for received signal activity. This pin is a push-pull output.
RXS	35	DO	MDS-MAU interface signal for received signal. This pin is a push-pull output.
TXE	36	DIS	MDS-MAU interface signal for enable signal transmission (Schmitt Trigger input)
TXS	37	DIS	MDS-MAU interface signal for signal to be transmitted (Schmitt Trigger input)
POL	38	DIS	Selects polarity of TxE input. When this pin is connected to GND, TxE is active high. When this pin is connected to VDD, TxE is active low.
VSS	39	Ground	Ground
VSS	40	Ground	Ground
VSS	41	Ground	Connect to ground
VSS	42	Ground	Connect to ground
VSS	43	Ground	Connect to ground
VCC	44	Analog supply	Analog supply voltage

Note:

1. AI = Analog Input, AO = Analog Output, A/I/O = Analog Input/Output, DIS = CMOS Digital Input (Schmitt Trigger), DO = CMOS Digital Output.

3.0 Electrical Characteristics

3.1 Operating Conditions

Unless otherwise noted, all block and sub-block specifications apply over the operating temperature (-40 to 85°C).

Table 2: Absolute Maximum Ratings

Parameter	Symbol	Min.	Max.	Units	Conditions
Analog block supply voltage	V _{CC}	-0.3	6.5	V	
Digital block supply voltage	V _{DD}	-0.3	6.0	V	
Digital input pin voltage	V _{IN}	-0.3	V _{DD} + 0.3	V	(TxS, TxE and POL pins)
Digital output pin voltage	V _{OUT}	-0.3	V _{DD} + 0.3	V	(RxS and RxA pins)
Input pin current	I _{IN}	-	±5	mA	Not for shunt pin
Output pin current	I _{OUT}	-	30	mA	For shunt, SGND and VO
ESD, Human Body Model			2,250	V	
ESD, Machine Model			250	V	
ESD, Charged Device Model			1,000	V	
Storage temperature	T _{Storage}	-55	125	°C	

Table 3: Normal Operating Conditions

Parameter	Symbol	Min.	Typ.	Max.	Units	Conditions
Analog supply voltage	VCC	4.75	5	6.2	V	Supply voltages are configurable, or can be supplied from off-chip
Digital supply voltage	VDD	2.7	3	VCC - 1.1V	V	
Storage temperature	T _{Operating}	-40		85	°C	
Current consumption	ICC		500	800	µA	25°C, SHUNT current = 1mA, No current from series regulator

AMIS-492x0

Table 4: CMOS Input Specifications

Parameter	Symbol	Min.	Max.	Units
Input high voltage	V_{IH}	$0.7 \cdot V_{DD}$	V_{DD}	V
Input low voltage	V_{IL}	0	$0.3 \cdot V_{DD}$	V
Input high current	I_{IH}		1	μA
Input low current	I_{IL}		-1	μA
Schmitt negative threshold	V_{t-}	$0.2 \cdot V_{DD}$		V
Schmitt positive threshold	V_{t+}		$0.8 \cdot V_{DD}$	V
Schmitt hysteresis	V_h	1		V

3.2 Power Supply Blocks

Table 5: Regulator Specifications

Parameter	Symbol	Min.	Typ.	Max.	Units	Conditions
Shunt Regulator						
Output voltage	V_{CC}	4.85	5.0	5.15	V	Preset, $I_{SH} = 1$ to 5mA
		4.75		6.2	V	External setting
Sink current	I_{SH}	0.001		25	mA	Internal pass transistor N-ch and pad
Load capacitance	C_{SH}	5			μF	
Load regulation		0	1.6	4	%	$I_{SH} = 1$ to 25mA
Temperature coefficient	$TC_{V_{CC}}$			± 200	ppm/ $^{\circ}C$	No load capacitance
Series Regulator						
Input voltage	V_{CC}	4.75		6.2	V	Internally tied to V_{CC} pin
Output voltage	V_O	2.91	3.0	3.09	V	Preset, $I_{SR} = 0$
		2.85		3.5	V	External setting and N-JFET
Output current	I_{SR}			20	mA	Internal pass transistor P-ch and pad
Load capacitance	C_{SR}	5			μF	For stability use Cap w/ ESR
Load regulation		0	2	4	%	$I_{SR} = 0$ to 20mA
Temperature coefficient	TC_{V_O}		± 200		ppm/ $^{\circ}C$	
Low Voltage Detectors (applies to N_PFail1 and N_PFail2)						
Threshold	V_{TH9}	85	90	95	% Vref	$SxSETIN > V_{TH9}$ (output: L \rightarrow H)
Hysteresis	V_{HYS5}	.012	.025	.038	V	$SxSETIN < (V_{TH9} - V_{HYS5})$ (output: H \rightarrow L)
Output sink current	I_{OL}	30		135	μA	$V_{OL} = 0.4V$ (open drain)
Output leakage current	I_L			1	μA	$V_{OH} = 5V$

Table 6: Voltage Reference Specifications

Parameter	Symbol	Min.	Typ.	Max.	Units	Conditions
Bandgap Voltage Reference						
Output voltage tolerance	V_{REF}	1.157	1.185	1.205	V	Equates to: +/- 2 percent
Temperature drift			50		ppm/ $^{\circ}C$	
Hysteresis ⁽¹⁾	V_{REFHYS}	-	100	-	μV	Note 1
Supply voltage	V_{CCREF}	4.75	5	6.2	V	
Load current	I_{REFOUT}	-	-	0	μA	No load during operation
V_{MID} voltage reference						
Output voltage	V_{MID}	1.95	2.0	2.05	V	
Output current	I_{MID}	-30		100	μA	
Load capacitance	C_{MID}	0.01	0.1	1	μF	DVC6000F uses 1uF
Temperature coefficient	TC_{MID}			± 200	ppm/ $^{\circ}C$	

Notes:

- Hysteresis is defined as the change in the 25 $^{\circ}C$ reading after 85 $^{\circ}C$ to 25 $^{\circ}C$ cycle and -40 $^{\circ}C$ to 25 $^{\circ}C$ cycle.

AMIS-492x0

3.3 Transmitter Blocks

Table 7: MDS-MAU Interface

Parameter	Symbol	Min.	Typ.	Max.	Units	Conditions
MDS-MAU Interface						
POL input pin	POL	See Schmitt Trigger input specs			V	
TxE input pin	TxE				V	
TxS input pin	TxS				V	

Note: The associated MDS chip must handle the jabber detect function.

Table 8: Tri-level Modulator

Parameter	Symbol	Min.	Typ.	Max.	Units	Conditions
Tri-level Modulator and Slew Control						
(Output is at VDRV)						
Output voltage	V_O	V_{MID}		3.02	V	
Load current	I_O	-35		+120	μA	$ \Delta V $ 10mV
Output for silence ⁽¹⁾	V_S	$V_{MID}+0.485$	$V_{MID}+0.500$	$V_{MID}+0.515$	V	TXE disabled
Output for high level ⁽¹⁾	V_H	$V_S+0.380$	$V_S+0.400$	$V_S+0.420$	V	TXE active
Output for low level ⁽¹⁾	V_L	$V_S-0.420$	$V_S-0.400$	$V_S-0.380$	V	TXE active
Asymmetry of V_H and V_L	ΔV_{HL}	-0.02		0.02	V	
Rise and fall times ⁽²⁾	tf, tr		4.7		μsec	Note 2 ($C_{RT} = 22pF$)

- Notes:
- Nominal values are: $V_S = 2.5V$, $V_H = 2.9V$ and $V_L = 2.1V$.
 - By adding an external capacitor between the CRT pin and ground, slew rate at VDRV output can be controlled. The controlling equation is tf or $tr = 2us + (0.123us/pF * C_{RT})$. C_{RT} is nominally 22pF, yielding $tf = tr = 4.7us$. The constant comes from an internal capacitor. The hot side of the capacitor and the CRT pin should have a guard pattern around them to avoid unnecessary interference.

Table 9: Current Control Amplifier

Parameter	Symbol	Min.	Typ.	Max.	Units	Conditions
Current Control Amplifier						
(Output is at CCOUT)						
Input common mode voltage range	V_{CM}	0		$V_{CC} - 1$	V	
Output voltage swing	V_O	1		$V_{CC} - 0.5$	V	
Load current	I_o	-2300		100	μA	
Input offset voltage	V_{OS}	-3		+3	mV	
Slew rate	SR		0.54		V/ μs	$C_L = 10pf$ $R_L = 200k$
Gain bandwidth product	GBW		1.15		MHz	
Phase margin	PM		66		Deg	

AMIS-492x0

3.4 Receiver Block

Table 10: Receiver Sub-blocks

Parameter	Symbol	Min.	Typ.	Max.	Units	Conditions
Band Pass Filter						
Input voltage	V_{BP}	1		4	V	SIGIN pin to GND
Output voltage swing	FLTOUT	1		4	V	
Output slew rate	SR		0.6		V/ μ s	
Input offset voltage	V_{OS}			± 5	mV	
Filter resistors ⁽¹⁾	RF1	60	75	90	k Ω	
	RF2	216	270	324	k Ω	
	RF3	16	20	24	k Ω	
	RF4	43	54	65	k Ω	
Carrier Detector						
Threshold voltage	V_{TH+}	40	50	60	mV	Relative to V_{MID}
	V_{TH-}	-60	-50	-40	mV	
Output high voltage	V_{OH}	$V_{DD}-0.6$			V	$I_{OH} = 0mA$
Output low voltage	V_{OL}			0.3	V	$I_{OL} = 0mA$
Output high current	I_{OH}	50			μ A	$V_{DD}-V_O \leq 0.6V$
Output low current	I_{OL}	50			μ A	$V_O \leq 0.6V$
Output rising time	t_R		0.3		μ s	$C_L = 10pF$
Output leak current	t_F		0.3		μ s	$C_L = 10pF$
Zero-cross Detector						
Threshold voltage	V_{TH+}	$V_{MID}+0.025$	$V_{MID}+0.040$	$V_{MID}+0.058$	V	No carrier
	V_{TH-}	V_{MID}	V_{MID}	V_{MID}	V	Carrier active
Output high voltage	V_{OH}	$V_{DD}-0.6$			V	$I_{OH} = 0mA$
Output low voltage	V_{OL}			0.3	V	$I_{OL} = 0mA$
Output high current	I_{OH}	50			μ A	$V_{DD}-V_O \leq 0.6V$
Output low current	I_{OL}	50			μ A	$V_O \leq 0.6V$
Output rising time	t_R		0.3		μ s	$C_L = 10pF$
Output leak current	t_F		0.3		μ s	$C_L = 10pF$

Note:

1. The band pass filter is made up of a two pole high pass filter in series with a two pole low pass filter. The filter consists of four resistors internal to AMIS-492x0, and four external capacitors. The active part of each filter is an amplifier connected in a follower configuration.

AMIS-492x0

4.0 Theory of Operation

4.1 Overview

The AMIS-492x0 incorporates two different power supply circuits. Both derive their power from the bus. Using the internal configuration, the shunt regulator is set for 5V and the series regulator is set for 3V. Users can modify either power supply by adding external components. The AMIS-492x0 Fieldbus can also monitor these power supply voltages and generate power-fail signals if they fall below a specified value. Please refer to the AMIS-492x0 Fieldbus MAU Reference Design Application Note for ways to adjust the shunt and series voltage regulators.

The AMIS-492x0 Fieldbus MAU transmits a Manchester-encoded signal provided from a standard MDS-MAU interface. The output driver makes it possible to design various signal circuits, which depend on the power requirements of your device. The slew rate of the signal can be controlled to minimize unnecessary radiation as specified in IEC/ISA standards.

The AMIS-492x0 Fieldbus MAU has a built-in band pass filter which makes it easy to design your own receiver. The receive block operates on a Manchester-encoded signal. It decodes the signal and verifies proper amplitude with a zero-cross and carrier detect circuit, respectively. Detected signals are then passed on to a controller with the standard MDS-MAU interface.

4.2 Power Supply Block

The power supply block contains four sub-blocks:

1. A shunt regulator - for establishing a supply voltage of V_{CC} (typ. = 5V) used by the analog circuitry
2. A series regulator - for establishing a supply voltage of V_{DD} (typ. = 3V) used for digital circuitry
3. Two low voltage detectors - for monitoring the two supply voltages
4. A bandgap voltage reference - which is used internally for generating a bias level for AC signals

4.2.1. Shunt Regulator

The shunt regulator controls its sink current to the SHUNT pin so that the voltage applied to the SHSETIN pin is equal to V_{REF} . The V_{CC} input is divided by an internal network to provide a voltage equal to V_{ref} at the SHSET pin. If SHSET and SHSETIN pins are tied together, and V_{CC} and SHUNT pins are connected to a power source of high impedance (e.g., current mirror circuit of signal driver), the shunt regulator provides 5V power to itself and external circuits. A capacitor of 5 μ F or larger capacity is necessary to stabilize this regulator. Figure 13 shows C10 (22 μ F) connected to Pin 8 to accomplish stabilization.

It is possible to increase the V_{CC} voltage up to 6.2V by dividing V_{CC} with an external network to supply the appropriate voltage to SHSETIN pin. In this case, SHSET pin must be kept open. The output voltage is determined by the following equation:

$$V_{CC} = V_{REF} \times (1 + R_1 / R_2)$$

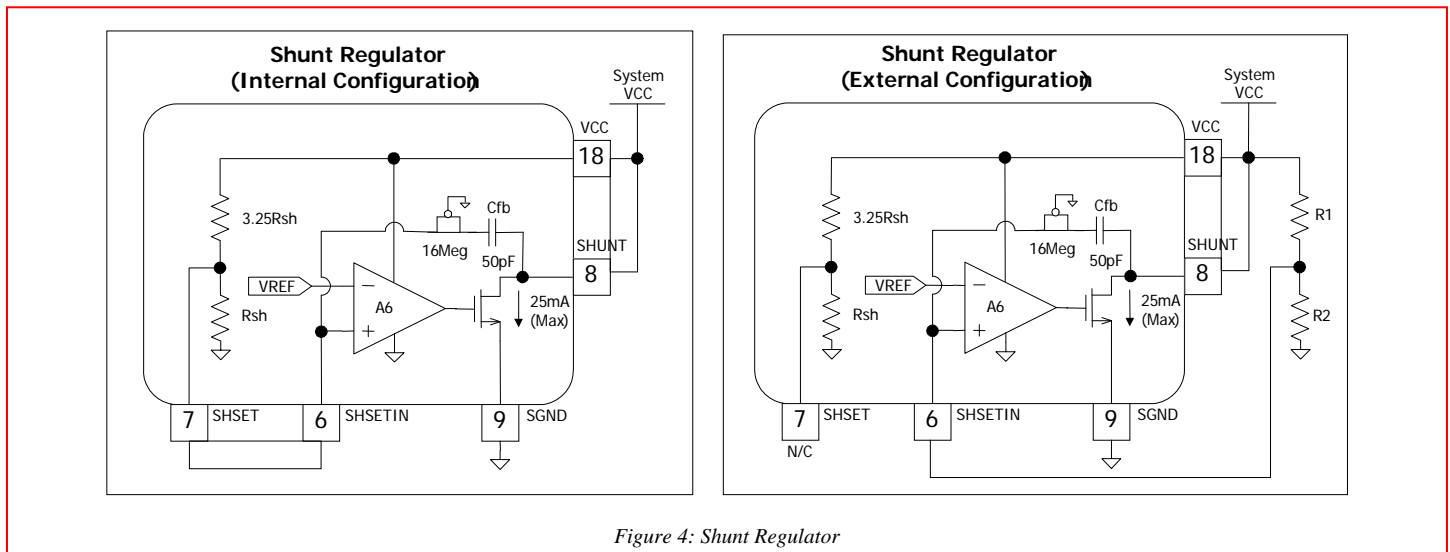


Figure 4: Shunt Regulator

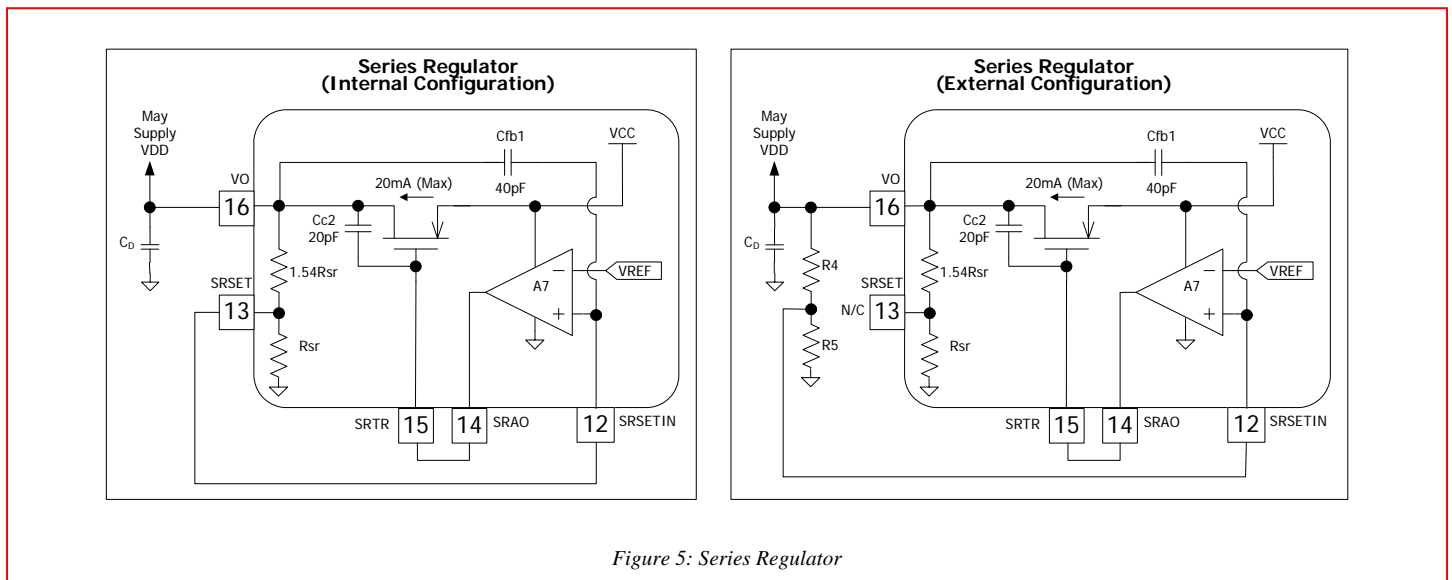
AMIS-492x0

The SHUNT pin is normally connected to V_{CC} . It is possible to insert a resistor between V_{CC} and SHUNT to measure the shunt current. Its value should be small enough to keep V_{DS} (voltage between SHUNT pin and SGND pin) larger than 2.5V (i.e., resistor must be less than 100Ω).

Since the internal transistor can sink as much as 25mA, no additional circuit is necessary in most cases. Note that the drain current must not exceed 25mA because no protection is implemented for the internal transistor. If you do not need the shunt regulator, you should connect SHUNT and SHSETIN pins to GND and open SHSET pin. Then V_{CC} must be supplied from another source.

4.2.2. Series Regulator

The series regulator produces a regulated voltage at the V_O pin from V_{CC} . If you connect SRAO and SRTR pins together, the internal amplifier will regulate the input voltage at SRSETIN pin to equal V_{REF} . An internal feedback signal is generated to produce a voltage equal to V_{REF} at pin SRSET. If you connect SRSET and SRSETIN pins, the series regulator supplies 3V at pin V_O . A capacitor (C_D in Figure 5) of $5\mu\text{F}$ or larger capacity is necessary to stabilize this regulator. The capacitor is expected to have an ESR resistor for the circuit to be stable. If the capacitor is low, a series resistor with the cap load will help stabilize the circuit).



The supply current must not exceed 20mA because no current limiting is applied to the internal transistor. You can increase V_O voltage up to 3.5V by dividing V_O with an external network to supply the appropriate voltage to pin SRSETIN. In this case, pin SRSET must be kept open. The drain-source voltage of the internal transistor must be larger or equal to 2V. If this condition is not satisfied, you may need an external P-channel JFET to create the desired low voltage-drop regulator. The output voltage is determined by the following equation.

$$V_O = V_{REF} \times (1 + R_4/R_5)$$

4.2.3. Low Voltage Detectors

Low voltage detectors are included to monitor supply voltages and generate “power fail” signals. The low voltage alarms are detected by sensing the voltage on pins SHSETIN and SRSETIN. These pins also provide feedback for the shunt and series regulators. If the voltage on the SHSETIN pin is lower than the threshold, V_{TH9} (90 percent V_{REF}), N_PFAIL1 goes low. Typically SHSETIN monitors the analog rail voltage V_{CC} . If the voltage on the SRSETIN pin is lower than the threshold, V_{TH9} , N_PFAIL2 goes low. Typically SRSETIN monitors the digital rail voltage V_{DD} .

Both outputs are open drain, so a resistor will be required. If you do not use one of these pins, it should be connected to GND. You can also add capacitors to delay these signals. In this case, sink current must not exceed the maximum value.

If you do not wish to use one of the low voltage detectors its corresponding output pin should be connected to GND.

AMIS-492x0

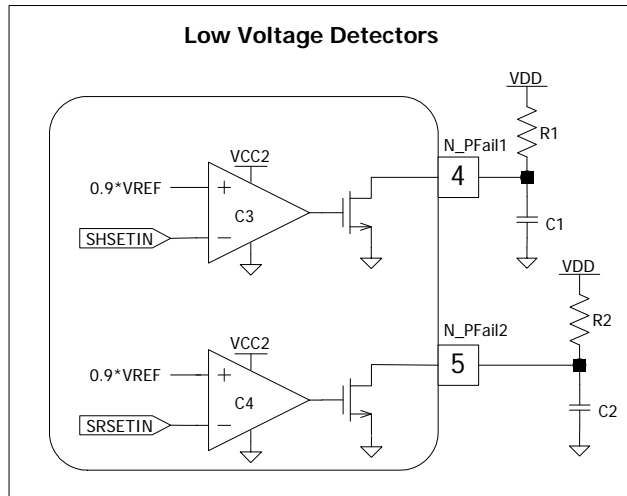


Figure 6: Low Voltage Detectors

If you do not use one of the regulators, the corresponding alarm signal can potentially be used to monitor another signal. For example, if the series regulator is not used, SRAO should be left open, SRTR tied to VCC, VO grounded and SRSET left open. Then SRSETIN can be the input for monitoring another voltage signal with N_PFAIL2.

4.2.4. Voltage Reference

The voltage reference circuitry generates two voltage signals, VREF and VMID. VREF comes from a bandgap circuit and is used as the reference voltage for all circuits in the AMIS-492x0 Fieldbus MAU. The typical value for VREF is 1.185V. See Figure 7.

An operational amplifier is regulating VMID to provide a bias (common) level for the AC signals. Its typical voltage is 2V. A capacitor larger than 0.01μF is necessary on VMID to remove high-frequency ripple.

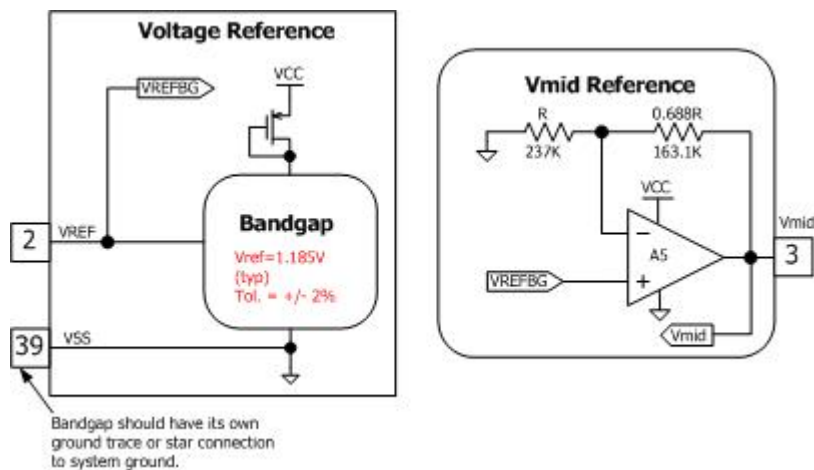


Figure 7: Bandgap and VMID Voltage Reference

AMIS-492x0

4.3 Transmit Block

The transmit block contains four sub-blocks:

1. MDS-interface – decodes input signals to generate internal control signals.
2. Tri-level modulator – generates current signals used as inputs to the slew-rate controller.
3. Slew rate controller – converts current to three distinct VDRV voltage levels (V_S , V_H , V_L).
4. Current drive amplifier – op amp designed to drive current drivers for 31.25kbps voltage-mode medium.

4.3.1. MDS-interface

The MDS-interface decodes input signals to generate internal control signals. The POL pin is used to select the polarity of TxE (transmit enable). The TxE and TxS (transmit signal) are the MDS-MAU interface signals. These three signals are CMOS logic signals powered by the V_{DD} supply voltage. When POL is connected to GND, TxE is assumed to be active high (positive logic). Likewise, if POL is connected to V_{DD} , TxE is assumed to be active low (negative logic). See Table 1 on page 7, Table 11, and Figure 8 to see how MDS_CTRL Pin 26 can be used to control MDS interface operation. Table 11 shows the resulting VDRV output for the various combinations of interface signals.

Table 11: MDS-interface Logic

POL	TxE	TxS	VDRV
Low	Low	Low	V_S
		High	V_H
	High	Low	V_L
		High	V_S
High	Low	Low	V_H
		High	V_L
	High	Low	V_S
		High	V_S

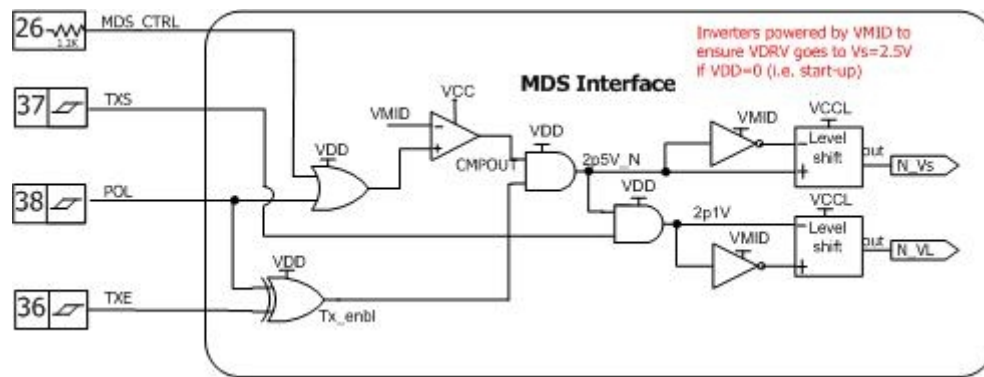


Figure 8: MDS Interface

4.3.2. Tri-level Modulator

The tri-level modulator switches current signals into a summing node. The slew rate controller converts the current to a voltage signal, VDRV. The DC level of silence (V_S) is nominally 2.5V. Transmission high (V_H) is nominally 2.9V and transmission low (V_L) is nominally 2.1V, yielding an amplitude of 0.8V.

AMIS-492x0

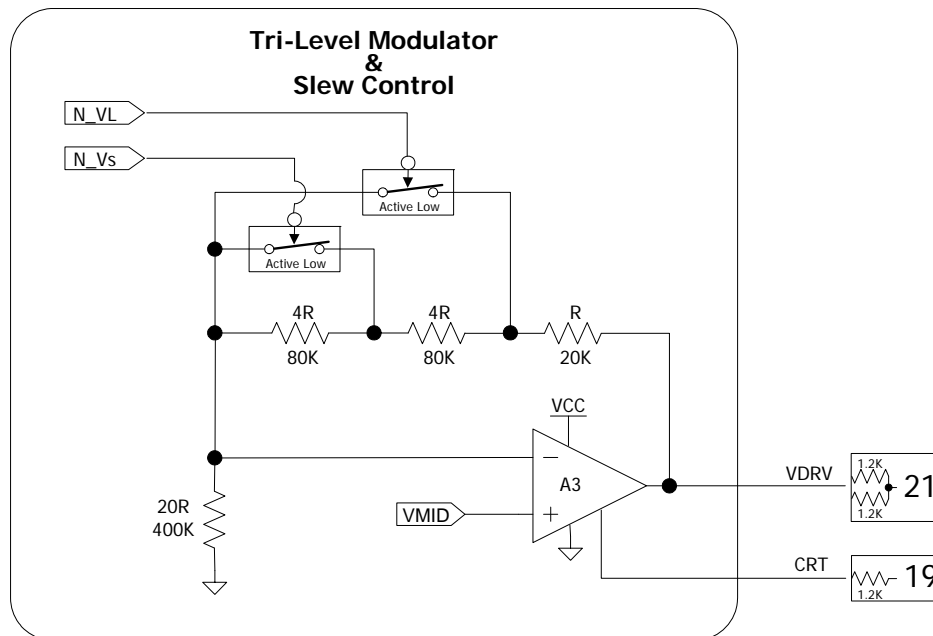


Figure 9: Tri-level Modulator

4.3.3. Slew Rate Controller

Amplifier (A3), shown in the above figure, controls the slew rate. The amplifier converts the current signals from the tri-level modulator to a voltage signal, VDRV. It controls its slew rate with a capacitor (C_{RT}) connected to the CRT pin. The waveform at the VDRV pin is symmetric and the fall/rise times are determined by the following equation:

$$t_F, t_R = 2.0[\mu\text{s}] + 0.12 [\mu\text{s/pF}] \times C_{RT}$$

The constant part comes from the internal capacitor (not shown). It is recommended to make a guard pattern on your circuit board around the CRT pin and the hot side of C_{RT} to avoid unnecessary interference.

4.3.4. Current Drive Amplifier

The drive amplifier is an operational amplifier optimized to drive current drivers for 31.25kbps voltage-mode medium. Its input and output signals are exposed to allow flexible design of the external driver. Note that this amplifier cannot directly sink the necessary current from the medium. In the following drive circuit the current (I_{BUS}) through the current-detect resistor (R_F) is determined by the following equation.

$$I_{BUS} = \frac{[R_3 V_{mid} (R_{12} + R_{11})] - [V_{drv} (R_2 R_{11} + R_3 R_{11})]}{- [R_F (R_2 R_{12} + R_3 R_{12})]}$$

A diode and/or a resistor connected to the emitter are necessary to shift the DC level of CCOUT and to suppress the loop gain. The resistance value depends on your design (overall gain and emitter current).

AMIS-492x0

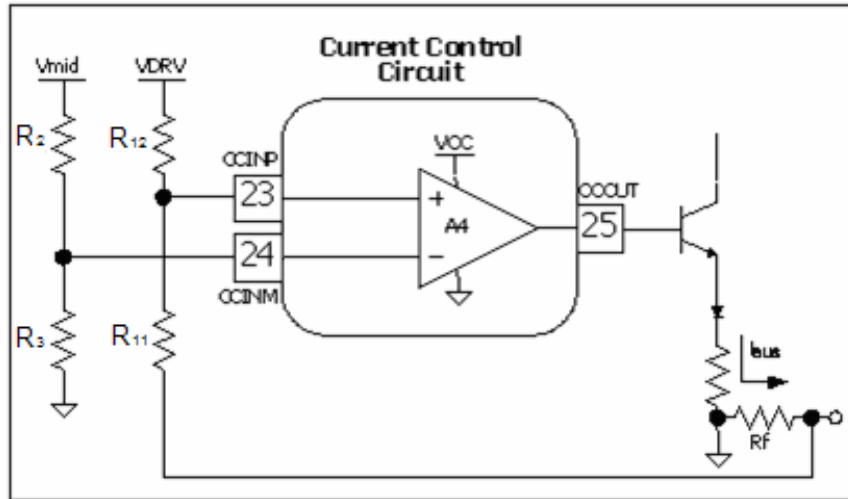


Figure 10: Current Control Circuit

4.4 Receive Block

The receive block contains three sub-blocks, which are internally connected:

1. A band pass filter – to filter the desired incoming communication signal.
2. Carrier detector – generates the RxA signal by detecting the signal amplitude.
3. Zero-cross detector generates the RxS signal by detecting the high/low transitions of the Manchester code.

4.4.1. Band Pass Filter

The band pass filter is a series connection of a high-pass and a low-pass filters each having two poles. Each filter is comprised of a voltage follower and on chip resistors, so only four external capacitors are necessary. The following figure shows an internal circuit and the connection of external capacitors. Cut-off frequency, f_L , of the high-pass filter is determined by C_1 and C_2 while cut-off frequency, f_H , of the low-pass filter is determined by C_3 and C_4 .

$$f_L = \frac{1}{2\pi} \sqrt{\frac{1}{R_{F1} * R_{F2} * C_1 * C_2}} \quad Q_L = \frac{1}{2} \sqrt{\frac{R_{F2}}{R_{F1}}} = 0.95$$

$$f_H = \frac{1}{2\pi} \sqrt{\frac{1}{R_{F3} * R_{F4} * C_3 * C_4}} \quad Q_L = 0.44 * \sqrt{\frac{C_3}{C_4}} = 0.95$$

The possible ranges of f_L and f_H are 1kHz ~ 10kHz and 10kHz ~ 100kHz, respectively. The values in the following figure are recommended to obtain 1kHz and 47.6kHz cut-off frequencies.

AMIS-492x0

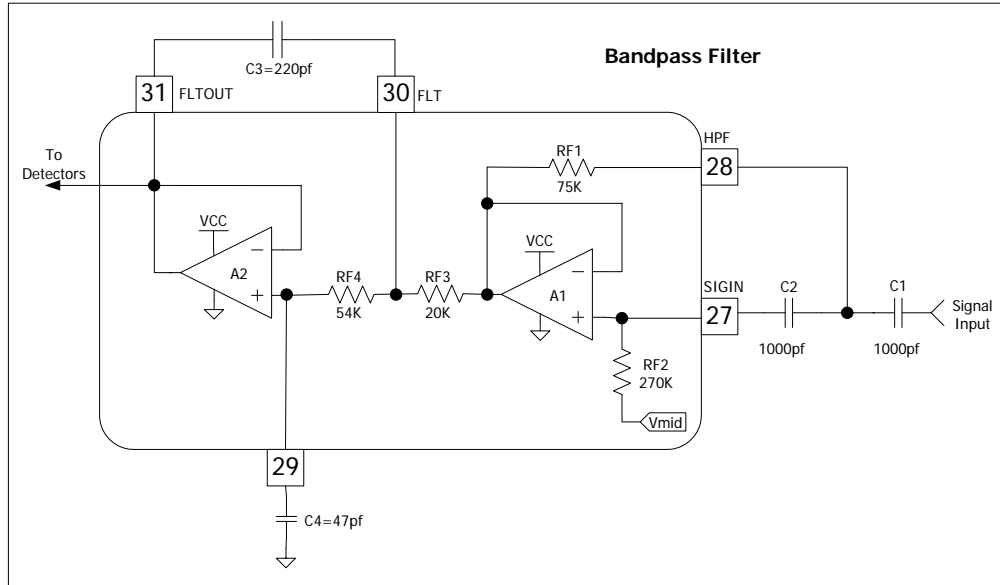


Figure 11: Band Pass Filter

4.4.2. Receive Signal Detection

The carrier detector generates the receive activity (RxA) signal by detecting the input signal amplitude. Minimum amplitude is 100mVp-p (TYP). A delay, determined by the capacitor connected between the CCD pin and GND, is added to avoid detection of transient noise. The recommended value of C_{CD} is 100pF. The output can drive a CMOS input of V_{DD} supply voltage.

The zero-cross detector generates the receive signal (RxS) with minimum phase error (jitter) by detecting the transition between high and low levels of the incoming Manchester code. Hysteresis of +40mV (TYP) is applied to avoid unnecessary switching by noise. Once the carrier-detect goes active the hysteresis is removed and the switching point threshold is set to V_{mid} . The output can drive a CMOS input of V_{DD} supply voltage.

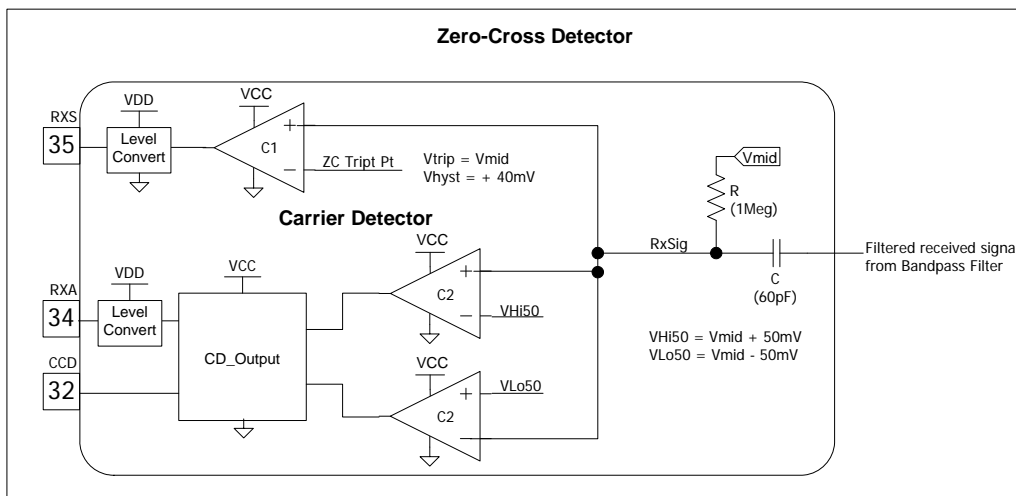


Figure 12: Receive Signal Detectors

AMIS-492x0

5.0 AMIS-49200 as Replacement for Yokogawa μ SAA22Q

The AMIS-49200 is a near pin-for-pin compatible replacement for the Yokogawa μ SAA22Q Fieldbus MAU. There are some differences between the two chips both in the internal operation, the required external connections and the value (or existence) of some of the external components. These differences are small and those who used the μ SAA22Q would most likely be able to use the AMIS-49200 in designs with only some component value changes.

5.1 Functional Differences Between the μ SAA22Q and the AMIS-492x0

5.1.1. Jabber Inhibit

The AMIS-492x0 does not implement the Jabber Inhibit function in the μ SAA22Q. Typically the AMIS-492x0 will be connected with a link controller chip such as the UFC100-F1 from Anitek/Softing. This link controller has a Jabber Inhibit function so the absence of this function in the AMIS-492x0 should not be a problem.

As can be seen in Table 12, MDS_CTRL is only connected to ground if POL is connected to VDD. See Table 1 for a detailed description of the interaction between MDS_CTRL and POL.

In Table 12, the μ SAA22Q recommends that the JAB/ signal (Pin 39) be connected to ground if the signal is not used. On AMIS-492x0, Pin 39 must be connected to ground.

5.1.2. Low Power Mode

The low power mode on the μ SAA22Q allows the user to have a quiescent current draw of less than 10mA yet still communicate at the proper IEC 61158-2 signal levels. Very few, if any, Fieldbus devices are capable of operating at such a low current level so this capability was not included in the AMIS-492x0.

The pins affected by this are 41, 42 and 43. If the low power mode is not being used on the μ SAA22Q, these three pins are grounded. On the AMIS-492x0 it is required that these pins be grounded.

5.2 Pin Differences Between the μ SAA22Q and the AMIS-492x0

Table 12: Pin Connection Differences Between the μ SAA22Q and the AMIS-492x0

μ SAA22Q		AMIS-492x0		
Pin No.	Signal Name	Recommended Connection	Signal Name	Required Connection
1	NC	Ground	VSS	Ground
11	NC	Ground	VSS	Ground
22	NC	Ground	VSS	Ground
26	NC	Ground	MDS_CTRL	Ground*
33	NC	Ground	VSS	Ground
39	JAB/	Ground if not used	VSS	Ground
41	CJB	1 μ f cap	VSS	Ground
42	VTX	Ground	VSS	Ground
43	VSL	Ground	VSS	Ground

* MDS_CTRL is only connected to ground if POL is connected to VDD. See Table 1 for a detailed description of the interaction between MDS_CTRL and POL.

AMIS-492x0

5.3 External Circuitry

Figure 13 shows the external circuitry required to connect the AMIS-492x0 to an IEC 61158-2 conformant network. This schematic is the circuit that was used to pass the FOUNDATION Fieldbus Physical Layer Conformance test as specified in FOUNDATION Fieldbus specification FF830, Rev 1.5. This circuit is similar but not identical to the circuit recommended by Yokogawa for the μ SAA22Q.

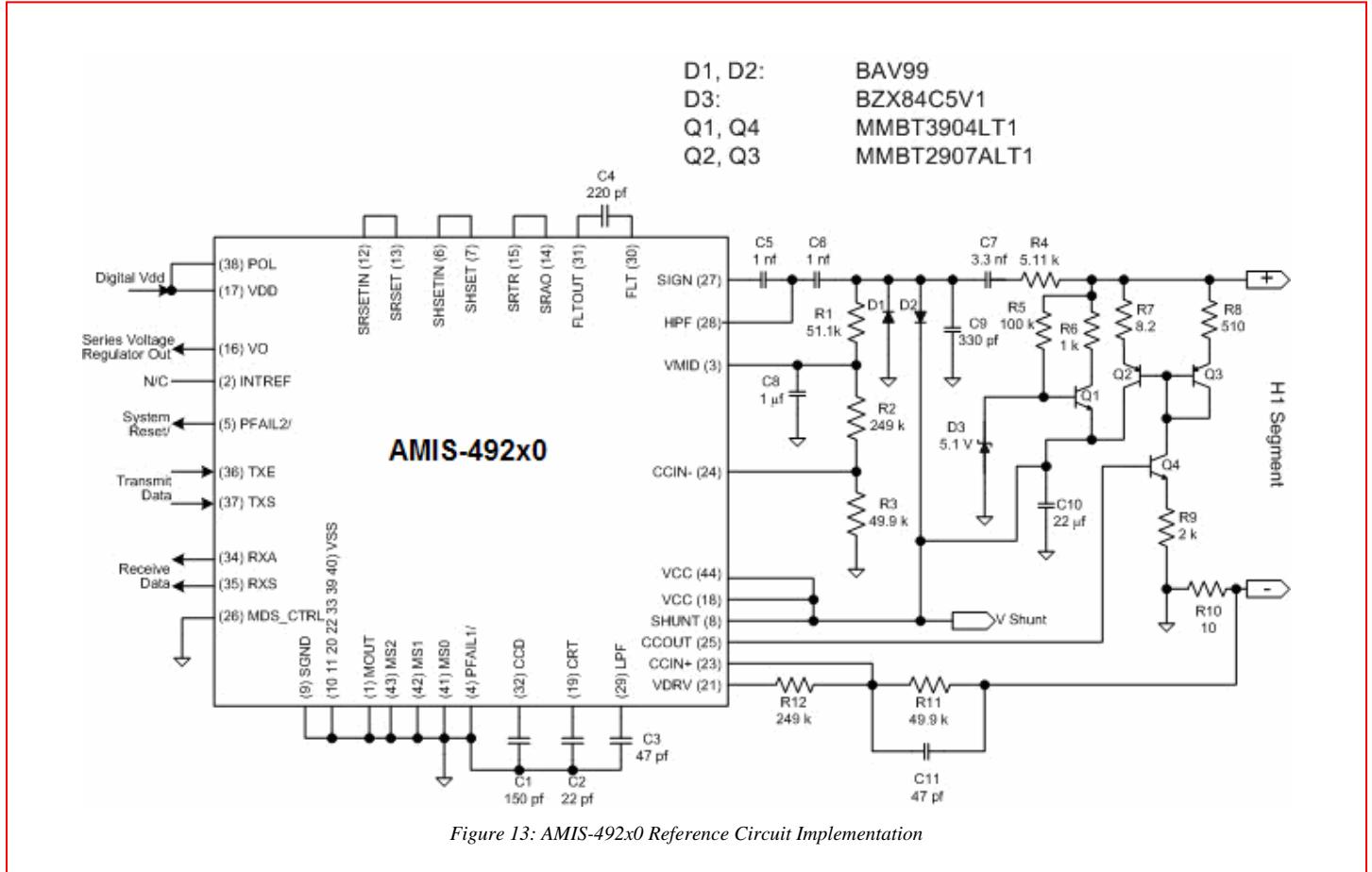


Table 13 lists the four external component values that need to be changed with using the AMIS-492x0 in a circuit that previously used the μ SAA22Q.

Table 13: Passive External Component Value Differences Between the μ SAA22Q and the AMIS-492x0

Component	μ SAA22Q Value	AMIS-492x0 Value
C1	100pf	150pf
C3	100pf	47pf
C4	470pf	220pf
C8	10nf	1 μ f

C1 connects to signal CCD (Pin 32) and controls the carrier detect assert and drop-out timing. Particular implementations may require that the value of C1 be changed to accommodate received signal level changes introduced by the addition of intrinsic safety components added to the external circuitry. C3 and C4 are part of the receive filter and determine the band pass characteristics of the receive filter. It is unlikely that these would need to be changed. C8 is a noise filter for VMID. It is important that VMID have as little noise as possible as it is used as a reference for many sub-circuits in the AMIS-492x0. C8 must be a large capacitor with maximum of 100nf. C8 recommended value is 1 μ f.

AMIS-492x0

There is one other minor difference in the recommended external circuitry between the μ SAA22Q and the AMIS-492x0. Figure 14 shows the start-up circuits recommended for the μ SAA22Q and the AMIS-492x0. The circuit shown for the AMIS-492x0 is different from that shown for the μ SAA22Q but either one will work. Both are current sources that turn on when power is applied to the H1 segment terminals so that the AMIS-492x0 can turn on without any turn-on transients on the network.

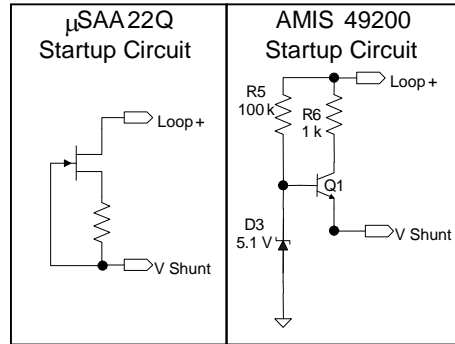


Figure 14: Recommended Start-up Circuits

5.4 Active Components

Transistors Q1 – Q4 are ordinary small signal transistors. Diodes D1 and D2 are similarly ordinary small signal diodes. Users desiring to replace a μ SAA22Q with the AMIS-49200 in an existing design should be able to use whatever transistors and diodes were used with the μ SAA22Q. For new designs, the specified transistors can be used or other devices may be chosen.

5.5 Alternative Designs

Some users of the Yokogawa μ SAA22Q did not use the exact recommended external circuit for the media interface circuit (see Figure 13). Using the AMIS-492x0 without the Yokogawa recommended external circuit may result in some compatibility problems. There are many alternative designs and it is beyond the scope of this document to identify all possible configurations and their associated design implications. Please refer to the AMIS-492x0 Fieldbus MAU Reference Design Application Note for a recommended, FOUNDATION Fieldbus certifiable board design.

5.6 Verification

All designs using the AMIS-492x0 should re-run the entire physical layer conformance test as defined in FOUNDATION Fieldbus document FF-830, FOUNDATION™ Specification 31.25 kbit/s Physical Layer Conformance Test. Board layout can alter the behavior of all circuit implementations, even designs that follow the recommended implementation.

AMIS-492x0

6.0 Ordering Information

Part Number	Package	Shipping Configuration	Temperature Range
AMIS-49200-XTD	44 LQFP 10x10mm (Green/RoHS Compliant)	Tray	-40°C to 85°C
AMIS-49200-XTP	44 LQFP 10x10mm (Green/RoHS Compliant)	Tape & Reel	-40°C to 85°C
AMIS-49250-XTD	44 NQFP 7x7mm (Green/RoHS Compliant)	Tray	-40°C to 85°C
AMIS-49250-XTP	44 NQFP 7x7mm (Green/RoHS Compliant)	Tape & Reel	-40°C to 85°C

7.0 Appendix (A) – Manchester Encoding

All Fieldbus devices transmit the data onto the media as a Manchester-encoded baseband signal. With Manchester encoding, zeros and ones are represented by transitions that occur in the middle of the bit period (see below). For FOUNDATION Fieldbus H1 and Profibus PA, the nominal bit time is 32 μ sec, with the transition occurring at 16 μ sec. The Manchester encoding rules have been extended to include two additional symbols, non-data plus (N+) and non-data minus (N-). The symbol encoding rules are shown in Figure 15.

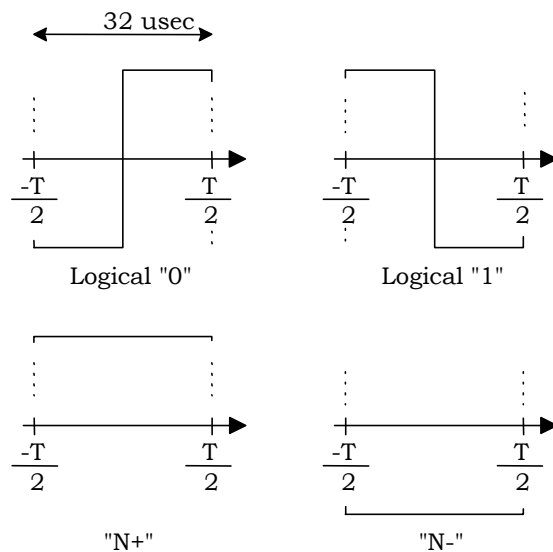



Figure 15: Manchester Encoding

AMIS-492x0

8.0 Revision History

Revision	Date	Modification
1	April 2006	Initial release
2	October 2006	
3	January 2007	
4	February 2008	Update to new AMIS template
5	May 2008	Update to new ON Semiconductor template; update OPN table
6	June 2008	Added AMIS-49250

ON Semiconductor and  are registered trademarks of Semiconductor Components Industries, LLC (SCILLC). SCILLC reserves the right to make changes without further notice to any products herein. SCILLC makes no warranty, representation or guarantee regarding the suitability of its products for any particular purpose, nor does SCILLC assume any liability arising out of the application or use of any product or circuit, and specifically disclaims any and all liability, including without limitation special, consequential or incidental damages. "Typical" parameters which may be provided in SCILLC data sheets and/or specifications can and do vary in different applications and actual performance may vary over time. All operating parameters, including "Typicals" must be validated for each customer application by customer's technical experts. SCILLC does not convey any license under its patent rights nor the rights of others. SCILLC products are not designed, intended, or authorized for use as components in systems intended for surgical implant into the body, or other applications intended to support or sustain life, or for any other application in which the failure of the SCILLC product could create a situation where personal injury or death may occur. Should Buyer purchase or use SCILLC products for any such unintended or unauthorized application, Buyer shall indemnify and hold SCILLC and its officers, employees, subsidiaries, affiliates, and distributors harmless against all claims, costs, damages, and expenses, and reasonable attorney fees arising out of, directly or indirectly, any claim of personal injury or death associated with such unintended or unauthorized use, even if such claim alleges that SCILLC was negligent regarding the design or manufacture of the part. SCILLC is an Equal Opportunity/Affirmative Action Employer. This literature is subject to all applicable copyright laws and is not for resale in any manner.

PUBLICATION ORDERING INFORMATION

LITERATURE FULFILLMENT:

Literature Distribution Center for ON Semiconductor
P.O. Box 5163, Denver, Colorado 80217 USA
Phone: 303-675-2175 or 800-344-3860 Toll Free USA/Canada
Fax: 303-675-2176 or 800-344-3867 Toll Free USA/Canada
Email: orderlit@onsemi.com

N. American Technical Support: 800-282-9855
Toll Free USA/Canada
Europe, Middle East and Africa Technical Support:
Phone: 421 33 790 2910
Japan Customer Focus Center
Phone: 81-3-5773-3850

ON Semiconductor Website: www.onsemi.com
Order Literature: <http://www.onsemi.com/orderlit>
For additional information, please contact your local
Sales Representative

Данный компонент на территории Российской Федерации

Вы можете приобрести в компании MosChip.

Для оперативного оформления запроса Вам необходимо перейти по данной ссылке:

<http://moschip.ru/get-element>

Вы можете разместить у нас заказ для любого Вашего проекта, будь то серийное производство или разработка единичного прибора.

В нашем ассортименте представлены ведущие мировые производители активных и пассивных электронных компонентов.

Нашей специализацией является поставка электронной компонентной базы двойного назначения, продукции таких производителей как XILINX, Intel (ex.ALTERA), Vicor, Microchip, Texas Instruments, Analog Devices, Mini-Circuits, Amphenol, Glenair.

Сотрудничество с глобальными дистрибьюторами электронных компонентов, предоставляет возможность заказывать и получать с международных складов практически любой перечень компонентов в оптимальные для Вас сроки.

На всех этапах разработки и производства наши партнеры могут получить квалифицированную поддержку опытных инженеров.

Система менеджмента качества компании отвечает требованиям в соответствии с ГОСТ Р ИСО 9001, ГОСТ РВ 0015-002 и ЭС РД 009

Офис по работе с юридическими лицами:

105318, г.Москва, ул.Щербаковская д.3, офис 1107, 1118, ДЦ «Щербаковский»

Телефон: +7 495 668-12-70 (многоканальный)

Факс: +7 495 668-12-70 (доб.304)

E-mail: info@moschip.ru

Skype отдела продаж:

moschip.ru

moschip.ru_4

moschip.ru_6

moschip.ru_9