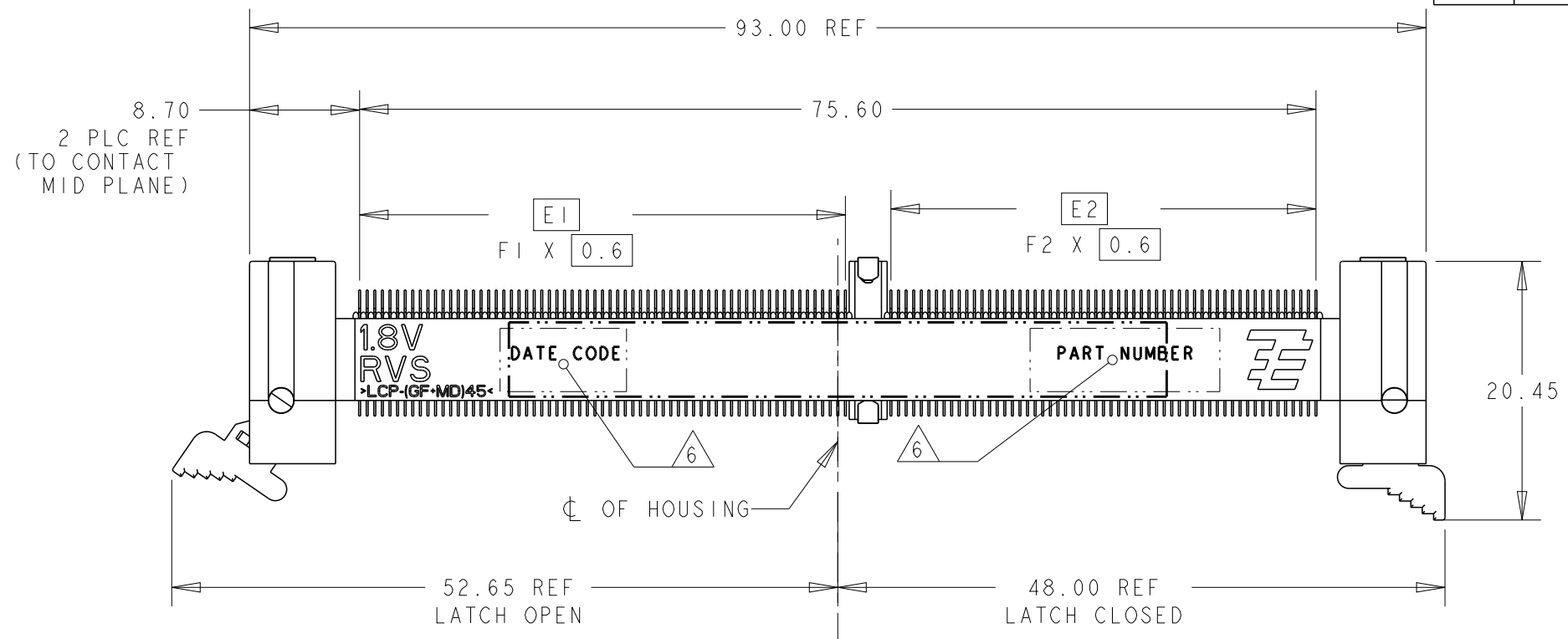


THIS DRAWING IS UNPUBLISHED. RELEASED FOR PUBLICATION .19 .  
 © COPYRIGHT 19 BY AMP INCORPORATED. ALL RIGHTS RESERVED.

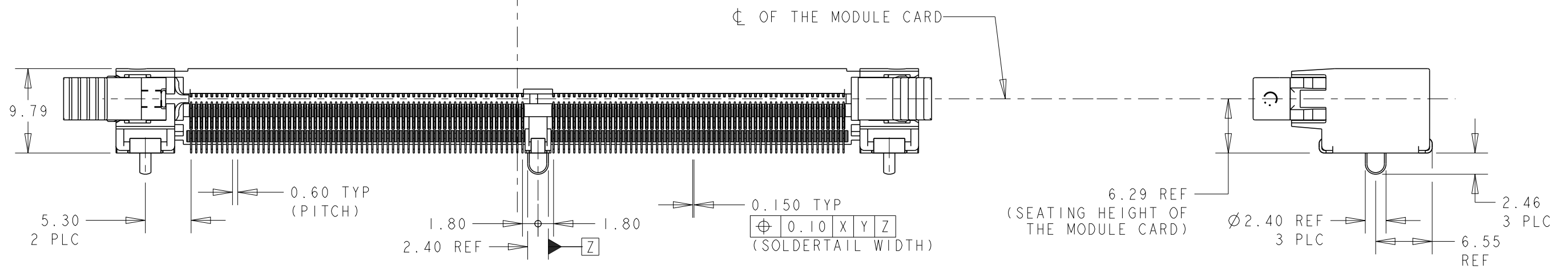
LOC  
DY

DIST  
-

| REVISIONS |     |                           |           |     |      |
|-----------|-----|---------------------------|-----------|-----|------|
| P         | LTR | DESCRIPTION               | DATE      | DWN | APVD |
|           | B5  | REVISED PER ECR-11-022142 | 01NOV2011 | SYJ | LSF  |



- 1 MATERIAL: HOUSING: HIGH TEMP LCP, BLACK, UL94V-0  
LATCHES: HIGH TEMP LCP, NATURAL, UL94V-0  
CONTACTS: COPPER ALLOY  
SOLDERPEGS: COPPER ALLOY
- 2 FINISH: ENGAGEMENT AREAS: 0.76µm MIN GOLD OVER  
1.25µm MIN NICKEL  
SOLDERTAILS: 0.02µm MIN GOLD OVER  
1.25µm MIN NICKEL
- 3 FINISH: ENGAGEMENT AREAS: 0.38µm MIN GOLD OVER  
1.25µm MIN NICKEL  
SOLDERTAILS: 0.02µm MIN GOLD OVER  
1.25µm MIN NICKEL
- 4 ACCEPTS 1.0mm THICK MEMORY MODULE, PER JEDEC MO-244,  
WITH BEVELS (FOR INSERTION LEAD-IN) REQUIRED.
- 5 PRODUCT SHALL BE PACKED IN JEDEC HARD TRAY (BLACK).
- 6 PART NUMBER AND DATE CODE SHALL BE MARKED LEGIBLY  
AS SHOWN. DATE CODE FORMAT: YYWWD.



|    |    |      |      |      |      |                                   |                    |                   |       |
|----|----|------|------|------|------|-----------------------------------|--------------------|-------------------|-------|
| 64 | 56 | 38.4 | 33.6 | 45.5 | 40.7 | DDR3 (AB/BB/CB) ; STD             | 1.5V               | 3                 | I- -4 |
| 64 | 56 | 38.4 | 33.6 | 45.5 | 40.7 | DDR2 (AA/BA/CA) ; STD             | 1.8V               | 3                 | I- -3 |
| 56 | 64 | 33.6 | 38.4 | 40.7 | 45.5 | DDR3 (AB/BB/CB) ; RVS             | 1.5V               | 3                 | I- -2 |
| 56 | 64 | 33.6 | 38.4 | 40.7 | 45.5 | DDR2 (AA/BA/CA) ; RVS             | 1.8V               | 3                 | I- -1 |
| 64 | 56 | 38.4 | 33.6 | 45.5 | 40.7 | DDR3 (AB/BB/CB) ; STD             | 1.5V               | 2                 | -4    |
| 64 | 56 | 38.4 | 33.6 | 45.5 | 40.7 | DDR2 (AA/BA/CA) ; STD             | 1.8V               | 2                 | -3    |
| 56 | 64 | 33.6 | 38.4 | 40.7 | 45.5 | DDR3 (AB/BB/CB) ; RVS             | 1.5V               | 2                 | -2    |
| 56 | 64 | 33.6 | 38.4 | 40.7 | 45.5 | DDR2 (AA/BA/CA) ; RVS             | 1.8V               | 2                 | -1    |
| F2 | F1 | E2   | E1   | B2   | B1   | VARIATION ; ORIENTATION<br>MODULE | VOLTAGE<br>MARKING | CONTACT<br>FINISH | P/N   |

THIS DRAWING IS A CONTROLLED DOCUMENT FOR AMP INCORPORATED.  
 IT IS SUBJECT TO CHANGE AND THE CONTROLLING ENGINEERING  
 ORGANIZATION SHOULD BE CONTACTED FOR THE LATEST REVISION.

DIMENSIONS:  
mm

MATERIAL  
1

TOLERANCES UNLESS OTHERWISE SPECIFIED:

|        |       |
|--------|-------|
| 0 PLC  | ±0.25 |
| 1 PLC  | ±0.13 |
| 2 PLC  | ±0.10 |
| 3 PLC  | ±0.10 |
| 4 PLC  | ±0.10 |
| ANGLES | ±1°   |

FINISH  
SEE P/N TABLE

|                  |           |           |
|------------------|-----------|-----------|
| DWN              | WYLEE     | 18MAY2007 |
| CHK              | YJ SEE    |           |
| APVD             | SF LEONG  |           |
| PRODUCT SPEC     | 108-51091 |           |
| APPLICATION SPEC | 114-51011 |           |
| WEIGHT           | -         |           |
| CUSTOMER DRAWING |           |           |

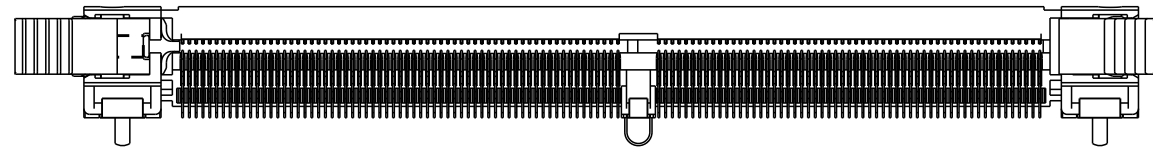
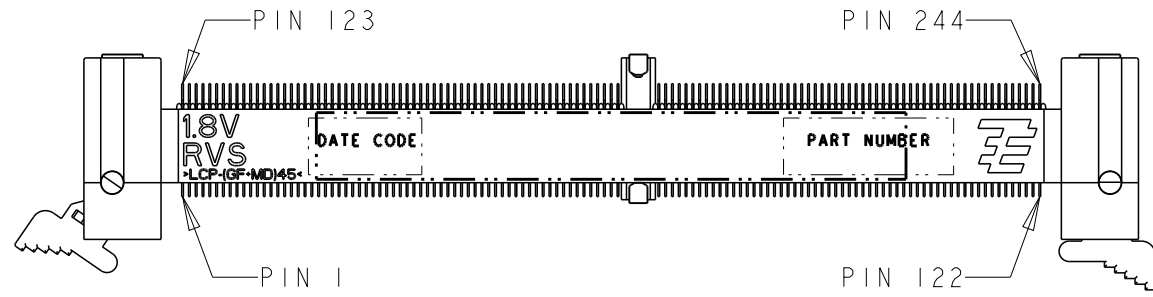
|  |                    |
|--|--------------------|
| <b>STE</b> TE CONNECTIVITY<br>Singapore                                  |                    |
| NAME<br>ASSEMBLY, MINIDIMM, R/A, LF<br>0.60mm PITCH, 244 CKTS,<br>DDR2/3 |                    |
| SIZE<br>A3   | CAGE CODE<br>00779 |
| DRAWING NO<br>C=1735438  |                    |
| SCALE<br>1:1   | SHEET<br>1 OF 5    |
| REV<br>B5  |                    |

P/N -1 AS SHOWN

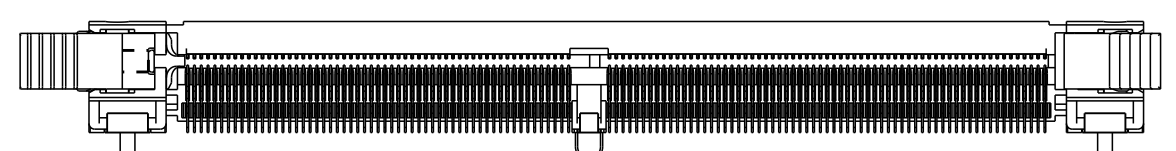
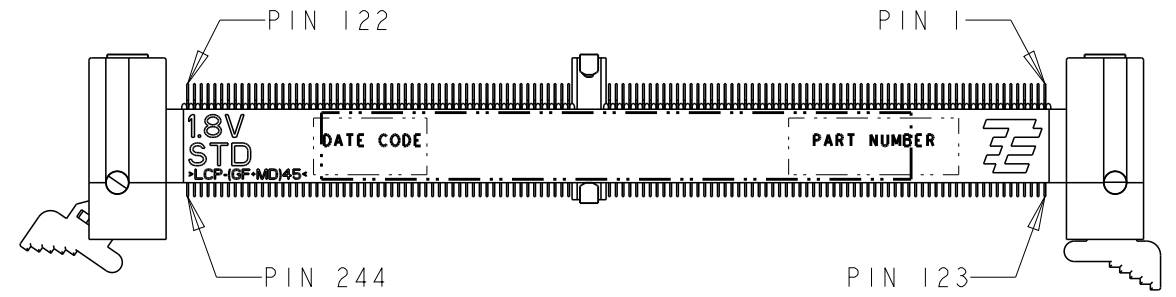
THIS DRAWING IS UNPUBLISHED. RELEASED FOR PUBLICATION .19 .

© COPYRIGHT 19 BY AMP INCORPORATED. ALL RIGHTS RESERVED.

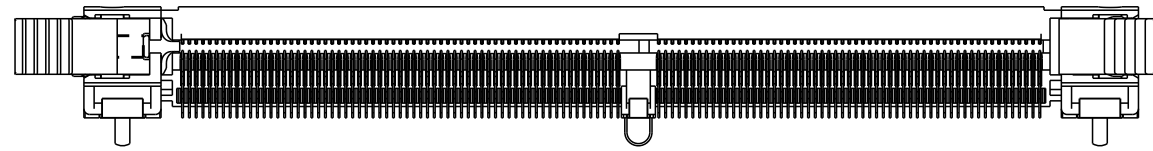
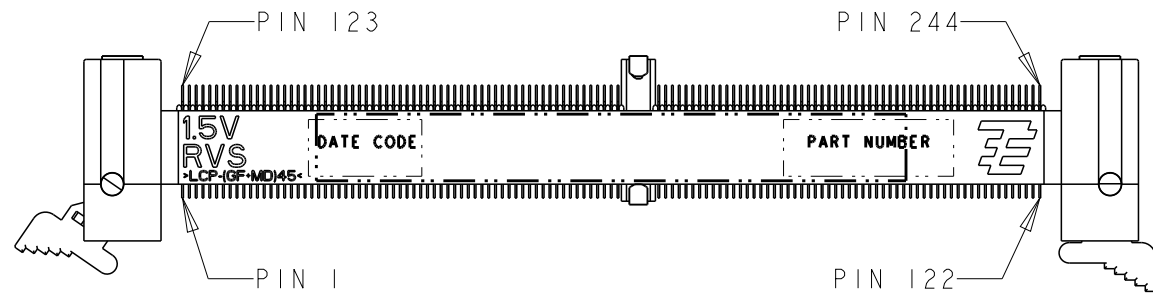
| LOC | DIST | REVISIONS |     |             |      |     |      |
|-----|------|-----------|-----|-------------|------|-----|------|
| DY  | -    | P         | LTR | DESCRIPTION | DATE | DWN | APVD |
|     |      | -         |     | SEE SHEET 1 | -    | -   | -    |



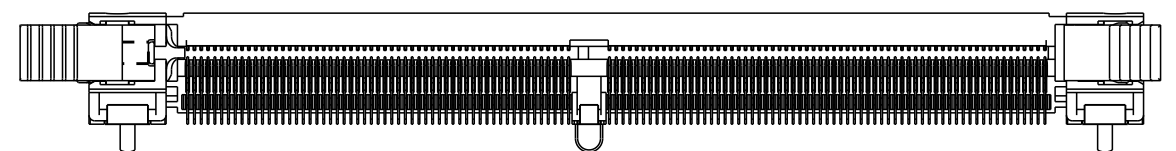
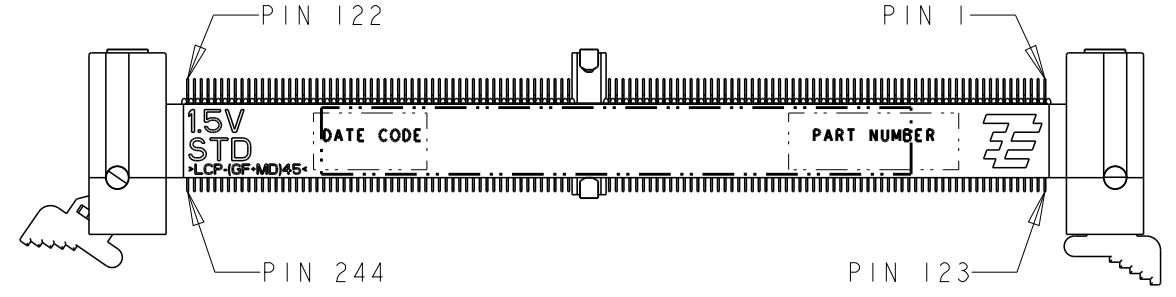
P/N X- -1  
(1.8V RVS)  
SCALE 3:2



P/N X- -3  
(1.8V STD)  
SCALE 3:2



P/N X- -2  
(1.5V RVS)  
SCALE 3:2

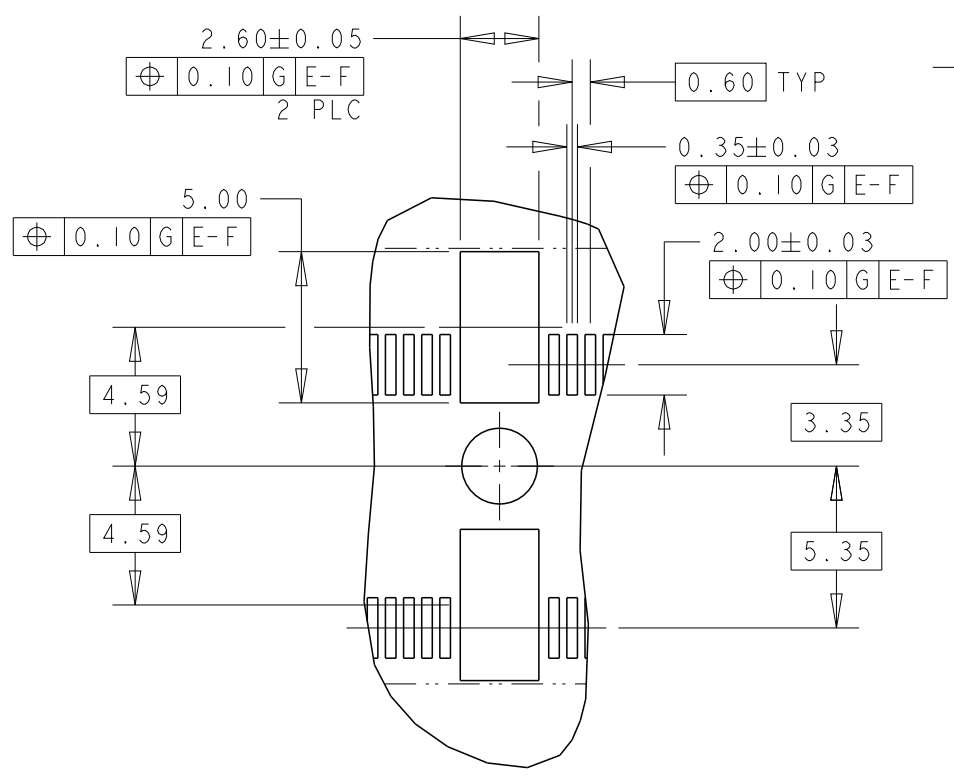
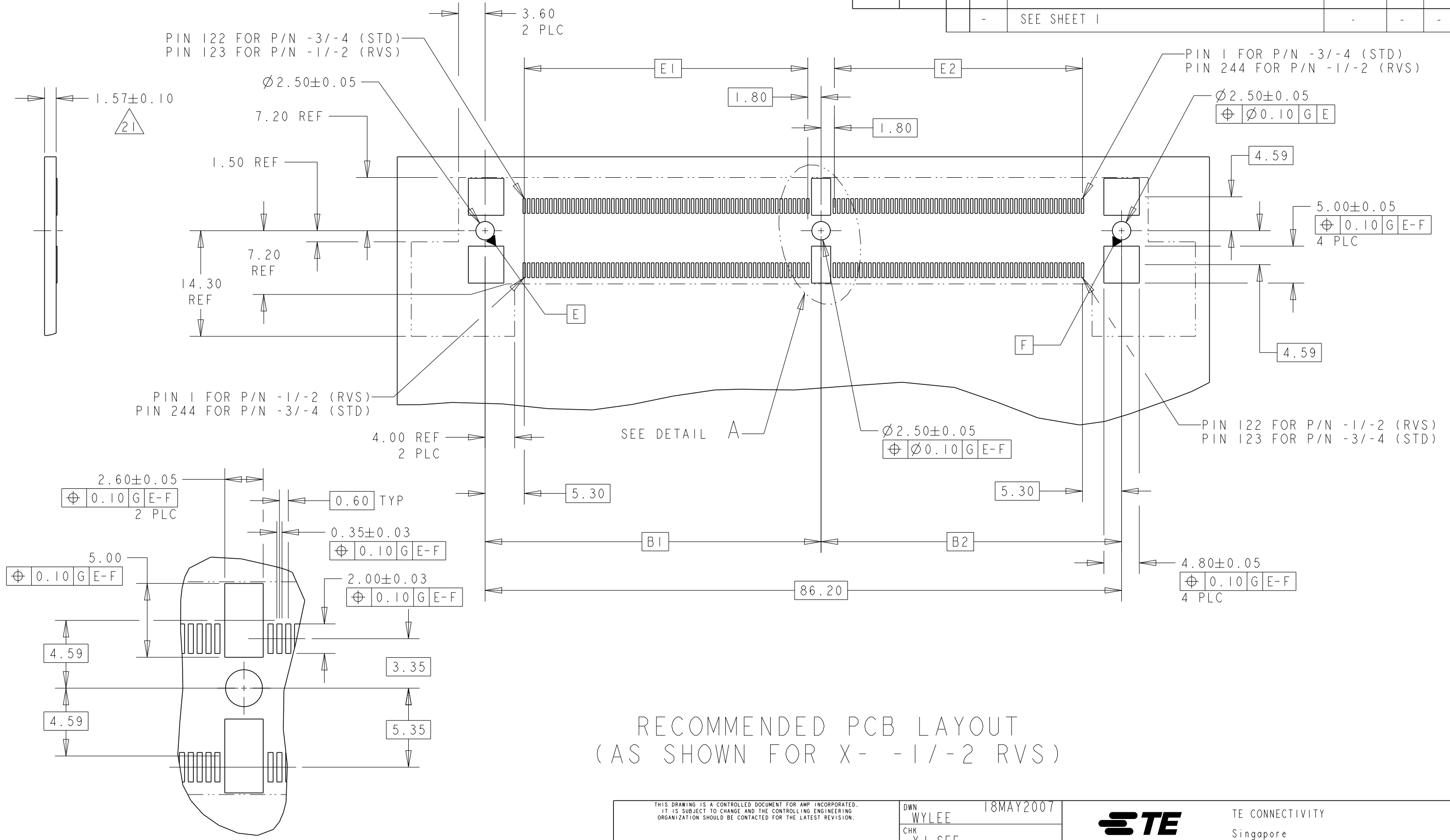


P/N X- -4  
(1.5V STD)  
SCALE 3:2

|   |  |                               |  |
|---|--|-------------------------------|--|
| THIS DRAWING IS A CONTROLLED DOCUMENT FOR AMP INCORPORATED. IT IS SUBJECT TO CHANGE AND THE CONTROLLING ENGINEERING ORGANIZATION SHOULD BE CONTACTED FOR THE LATEST REVISION. |  | DWN<br>WYLEE<br>18MAY2007     | <b>STE</b> TE CONNECTIVITY<br>Singapore                                  |
| DIMENSIONS:<br>mm   |  | CHK<br>YJ SEE                 |  |
| TOLERANCES UNLESS OTHERWISE SPECIFIED:<br>0 PLC ±<br>1 PLC ±0.25<br>2 PLC ±0.13<br>3 PLC ±0.10<br>4 PLC ±<br>ANGLES ±1°   |  | APVD<br>SF LEONG              | NAME<br>ASSEMBLY, MINIDIMM, R/A, LF<br>0.60mm PITCH, 244 CKTS,<br>DDR2/3 |
| MATERIAL  |  | PRODUCT SPEC<br>108-51091     |  |
| FINISH<br>SEE P/N TABLE   |  | APPLICATION SPEC<br>114-51011 | SIZE<br>A3   |
|   |  | WEIGHT<br>-                   | CAGE CODE<br>00779   |
|   |  | CUSTOMER DRAWING              | DRAWING NO<br>C-1735438  |
|   |  |                               | SCALE 3:2 SHEET 2 OF 5 REV B5  |

THIS DRAWING IS UNPUBLISHED. RELEASED FOR PUBLICATION .19  
 © COPYRIGHT 19 BY AMP INCORPORATED. ALL RIGHTS RESERVED.

| LOC | DIST | REVISIONS |     |             |      |     |      |
|-----|------|-----------|-----|-------------|------|-----|------|
| DY  | -    | P         | LTR | DESCRIPTION | DATE | DWN | APVD |
|     |      | -         |     | SEE SHEET 1 | -    | -   | -    |



RECOMMENDED PCB LAYOUT  
 (AS SHOWN FOR X- -1/-2 RVS)

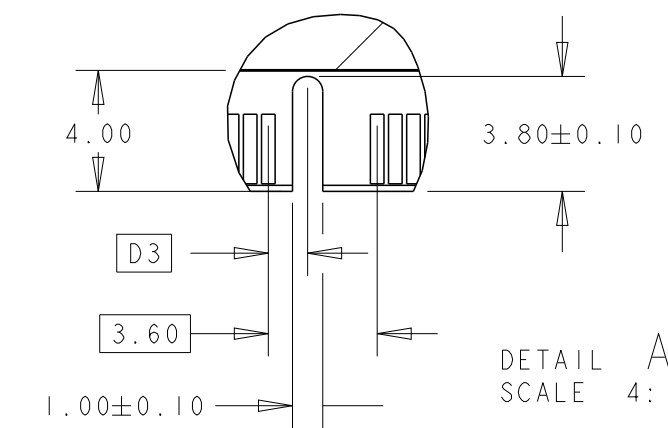
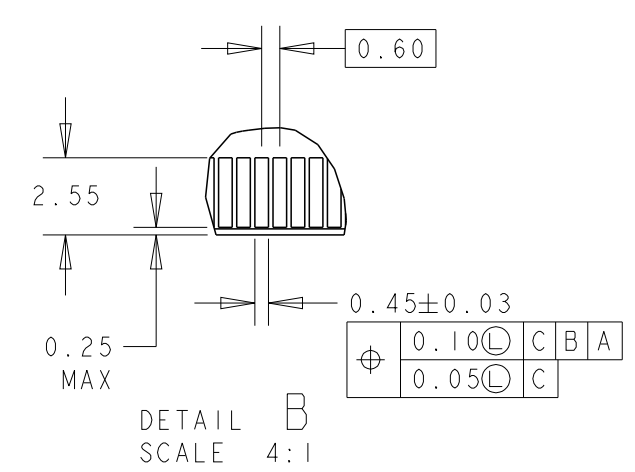
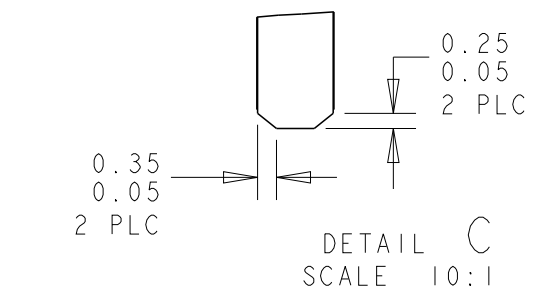
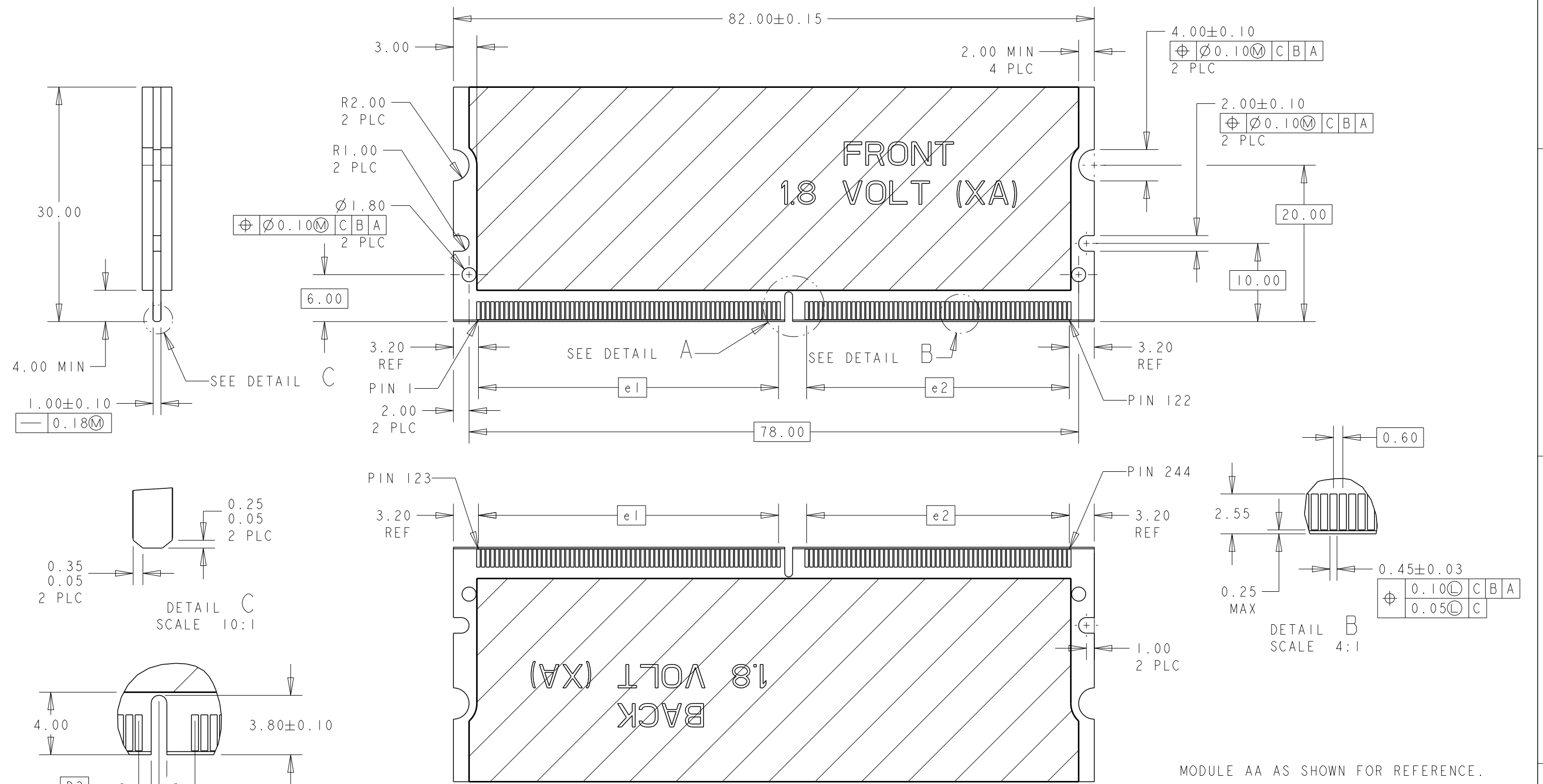
DETAIL A  
 SCALE 4:1

NOTES:  
 21 PCB THICKNESS IS NOT PART OF THE RECOMMENDED DIMENSIONS FOR THIS PRODUCT. THE DESIGN OF THIS CONNECTOR IS NOT DEPENDENT ON THE PCB THICKNESS.

|   |  |                               |  |                    |
|---|--|-------------------------------|--|--------------------|
| THIS DRAWING IS A CONTROLLED DOCUMENT FOR AMP INCORPORATED. IT IS SUBJECT TO CHANGE AND THE CONTROLLING ENGINEERING ORGANIZATION SHOULD BE CONTACTED FOR THE LATEST REVISION. |  | DWN<br>WYLEE<br>18MAY2007     | <b>STE</b> TE CONNECTIVITY<br>Singapore                                  |                    |
| DIMENSIONS:<br>mm   |  | CHK<br>YJ SEE                 | NAME<br>ASSEMBLY, MINIDIMM, R/A, LF<br>0.60mm PITCH, 244 CKTS,<br>DDR2/3 |                    |
| TOLERANCES UNLESS OTHERWISE SPECIFIED:<br>0 PLC ±.25<br>1 PLC ±0.25<br>2 PLC ±0.13<br>3 PLC ±0.10<br>4 PLC ±.10<br>ANGLES ±1°   |  | APVD<br>SF LEONG              | DRAWING NO<br>C-1735438  |                    |
| MATERIAL  |  | PRODUCT SPEC<br>108-51091     | SIZE<br>A3   | CAGE CODE<br>00779 |
| FINISH  |  | APPLICATION SPEC<br>114-51011 | DRAWING NO<br>C-1735438  |                    |
|   |  | WEIGHT<br>-                   | SCALE<br>2:1   |                    |
|   |  | CUSTOMER DRAWING              | SHEET 3 OF 5 REV B5  |                    |

THIS DRAWING IS UNPUBLISHED. RELEASED FOR PUBLICATION .19 .  
 © COPYRIGHT 19 BY AMP INCORPORATED. ALL RIGHTS RESERVED.

|           |           |             |      |     |
|-----------|-----------|-------------|------|-----|
| LOC<br>DY | DIST<br>- | REVISIONS   |      |     |
| P         | LTR       | DESCRIPTION | DATE | DWN |
| -         | -         | SEE SHEET 1 | -    | -   |



|                          |     |      |      |                 |                  |
|--------------------------|-----|------|------|-----------------|------------------|
| FOR P/N X- -2 AND X- -4. | 2.3 | 33.6 | 38.4 | 1.5V            | AB/BB/CB         |
| FOR P/N X- -1 AND X- -3. | 1.3 | 33.6 | 38.4 | 1.8V            | AA/BA/CA         |
| REMARKS                  | D3  | e2   | e1   | VOLTAGE MARKING | MODULE VARIATION |

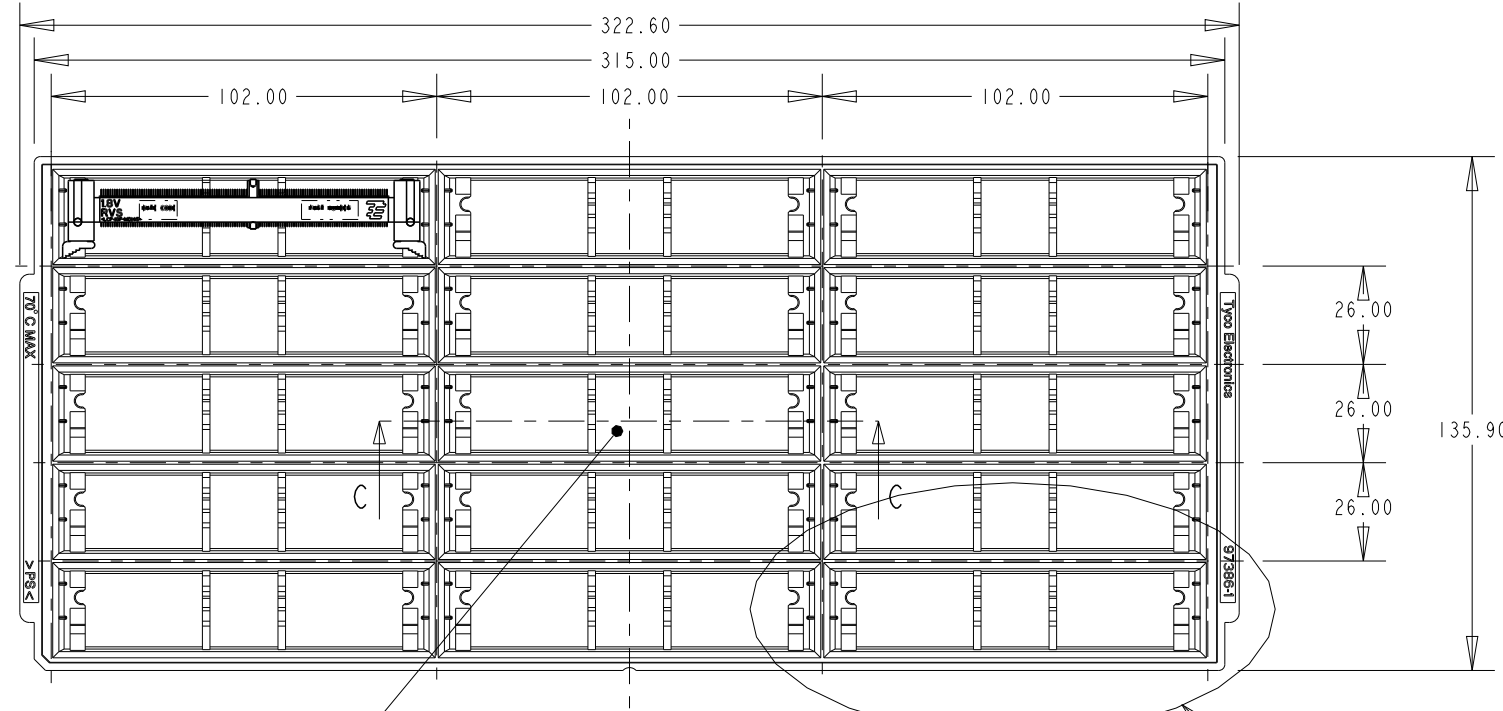
THIS DRAWING IS A CONTROLLED DOCUMENT FOR AMP INCORPORATED. IT IS SUBJECT TO CHANGE AND THE CONTROLLING ENGINEERING ORGANIZATION SHOULD BE CONTACTED FOR THE LATEST REVISION.

|                  |                               |  |
|------------------|-------------------------------|--|
| DWN<br>WYLEE     | 18MAY2007                     | <b>STE</b> TE CONNECTIVITY<br>Singapore                                  |
| CHK<br>YJ SEE    |                               |  |
| APVD<br>SF LEONG | PRODUCT SPEC<br>108-51091     | NAME<br>ASSEMBLY, MINIDIMM, R/A, LF<br>0.60mm PITCH, 244 CKTS,<br>DDR2/3 |
|                  | APPLICATION SPEC<br>114-51011 |  |
| MATERIAL         | FINISH                        | SIZE<br>A3   |
|                  |                               | CAGE CODE<br>00779   |
|                  |                               | DRAWING NO<br>C=1735438  |
|                  |                               | SCALE<br>1:1   |
|                  |                               | SHEET<br>4 OF 5  |
|                  |                               | REV<br>B5  |

CUSTOMER DRAWING

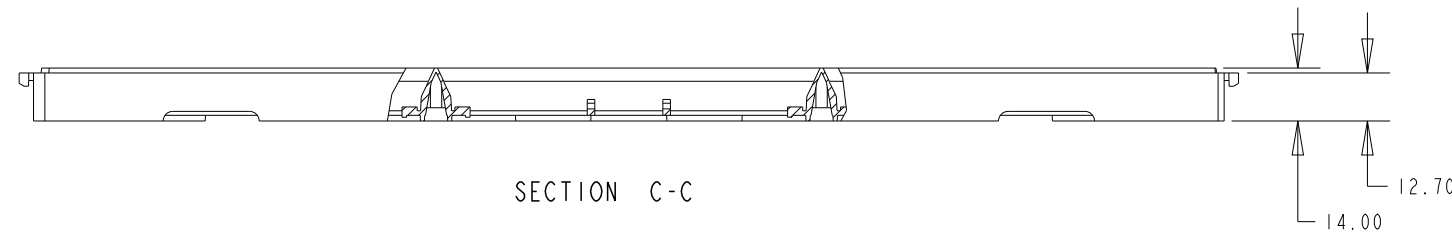
THIS DRAWING IS UNPUBLISHED. RELEASED FOR PUBLICATION .19 .  
 © COPYRIGHT 19 BY AMP INCORPORATED. ALL RIGHTS RESERVED.

| LOC | DIST | REVISIONS   |      |     |      |
|-----|------|-------------|------|-----|------|
| P   | LTR  | DESCRIPTION | DATE | DWN | APVD |
| DY  | -    | SEE SHEET 1 | -    | -   | -    |

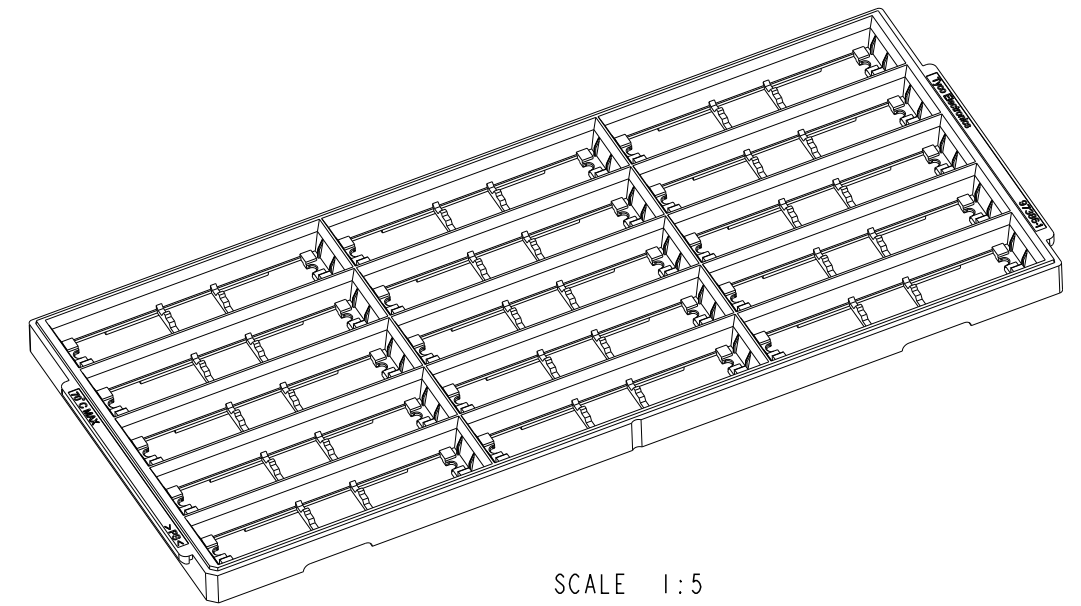


Base of centre pocket is solid.

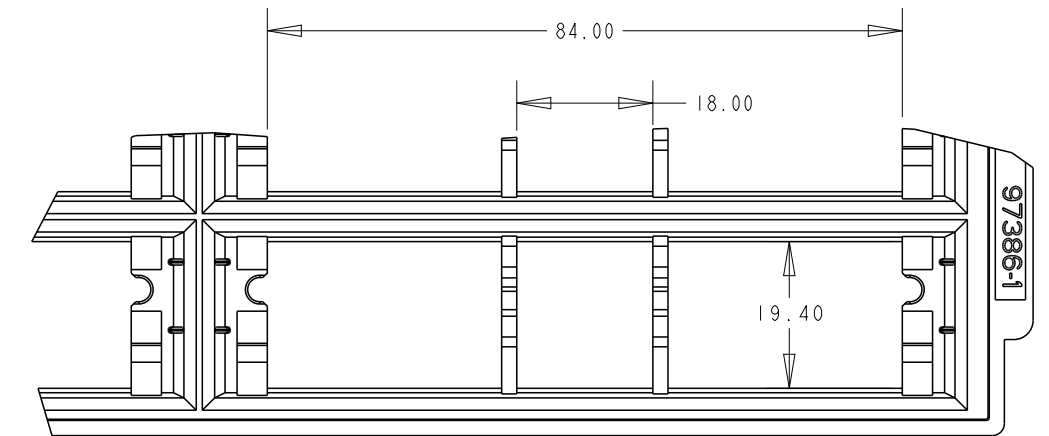
SEE DETAIL A



SECTION C-C



SCALE 1:5



DETAIL A  
SCALE 2:1

|  |  |  |   |
|--|--|--|---|
| <small>THIS DRAWING IS A CONTROLLED DOCUMENT FOR AMP INCORPORATED. IT IS SUBJECT TO CHANGE AND THE CONTROLLING ENGINEERING ORGANIZATION SHOULD BE CONTACTED FOR THE LATEST REVISION.</small> |  | DWN WYLEE 18MAY2007<br>CHK YJ SEE<br>APVD SF LEONG<br>PRODUCT SPEC 108-51091<br>APPLICATION SPEC 114-51011<br>WEIGHT -<br>CUSTOMER DRAWING | <b>STE</b> TE CONNECTIVITY<br>Singapore<br>NAME ASSEMBLY, MINIDIMM, R/A, LF<br>0.60mm PITCH, 244 CKTS,<br>DDR2/3<br>SIZE A3 CAGE CODE 00779 DRAWING NO C-1735438<br>SCALE 1:1 SHEET 5 OF 5 REV B5 |
| DIMENSIONS:<br>mm<br>  | TOLERANCES UNLESS OTHERWISE SPECIFIED:<br>0 PLC ±<br>1 PLC ±0.25<br>2 PLC ±0.13<br>3 PLC ±0.10<br>4 PLC ±<br>ANGLES ±1°<br>MATERIAL FINISH |  |   |

## Данный компонент на территории Российской Федерации

### Вы можете приобрести в компании MosChip.

Для оперативного оформления запроса Вам необходимо перейти по данной ссылке:

<http://moschip.ru/get-element>

Вы можете разместить у нас заказ для любого Вашего проекта, будь то серийное производство или разработка единичного прибора.

В нашем ассортименте представлены ведущие мировые производители активных и пассивных электронных компонентов.

Нашей специализацией является поставка электронной компонентной базы двойного назначения, продукции таких производителей как XILINX, Intel (ex.ALTERA), Vicor, Microchip, Texas Instruments, Analog Devices, Mini-Circuits, Amphenol, Glenair.

Сотрудничество с глобальными дистрибьюторами электронных компонентов, предоставляет возможность заказывать и получать с международных складов практически любой перечень компонентов в оптимальные для Вас сроки.

На всех этапах разработки и производства наши партнеры могут получить квалифицированную поддержку опытных инженеров.

Система менеджмента качества компании отвечает требованиям в соответствии с ГОСТ Р ИСО 9001, ГОСТ РВ 0015-002 и ЭС РД 009

### Офис по работе с юридическими лицами:

105318, г.Москва, ул.Щербаковская д.3, офис 1107, 1118, ДЦ «Щербаковский»

Телефон: +7 495 668-12-70 (многоканальный)

Факс: +7 495 668-12-70 (доб.304)

E-mail: [info@moschip.ru](mailto:info@moschip.ru)

Skype отдела продаж:

moschip.ru

moschip.ru\_4

moschip.ru\_6

moschip.ru\_9