

Subminiature Fuse, 8.5 mm, Time-Lag T, 250 VAC, 63 VDC



IEC 60127-3 · 250VAC · Time-Lag T



**Description**

- Directly solderable on printed circuit boards
- Low Breaking Capacity

**Standards**

- IEC 60127-3/4
- UL 248-14
- CSA C22.2 no. 248.14

**Approvals**

- VDE Certificate Number: 40002080
- UL File Number: E41599
- CSA File Number: 51172

**Applications**

- Primary Protection on PCB
- Power Supply Adapter for e.g. laptops
- SMPS (Switching Mode Power Supply) for TV's and DVD's

**References**

[Packaging Details](#)

Corresponding Fuseholder [FMS \(250V\)](#)

Fuse Kit [Fuse Kit Microfuse](#)

**Weblinks**

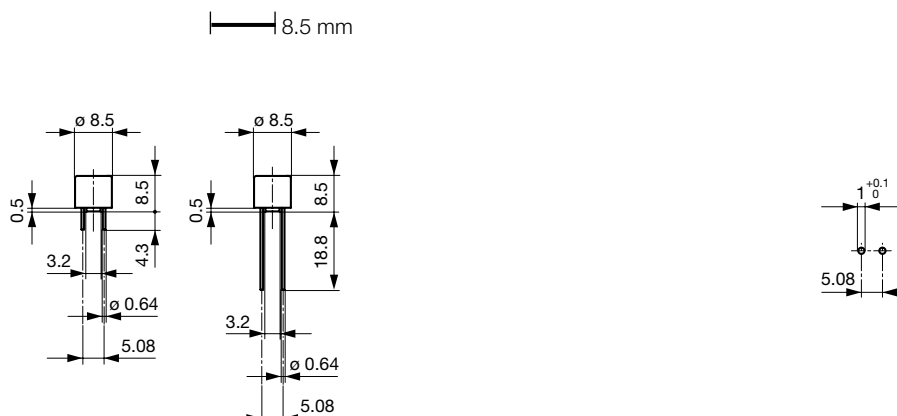
[pdf-datasheet](#), [html-datasheet](#), [General Product Information](#), [Approvals](#), [CE declaration of conformity](#), [RoHS](#), [CHINA-RoHS](#), [e-Shop](#), [SCHURTER-Stock-Check](#), [Distributor-Stock-Check](#), [Detailed request for product](#)

**Technical Data**

|                              |   |
|------------------------------|---|
| Rated Voltage                | 250VAC, 63 VDC  |
| Rated Current                | 0.05 - 6.3A   |
| Breaking Capacity            | 35A - 63A   |
| Characteristic               | Time-Lag T  |
| Mounting                     | PCB,THT   |
| Admissible Ambient Air Temp. | -55 °C to 125 °C  |
| Climatic Category            | 55/125/21 acc. to IEC 60068-1   |
| Material: Housing            | Thermoplastic, UL 94V-0   |
| Material: Terminals          | Tin-Plated Copper   |
| Unit Weight                  | 0.53 g  |
| Storage Conditions           | 0 °C to 40 °C, max. 70% r.h.  |
| Product Marking              |  Type, Current, Dielectric strength, Characteristic, Approvals |

|                              |  |
|------------------------------|--|
| Soldering Methods            | Wave, Iron   |
| Solderability                | 235 °C / 2 sec acc. to IEC 60068-2-20, Test Ta                         |
| Resistance to Soldering Heat | 260 °C / 10sec acc. to IEC 60068-2-20, Test Tb                         |
| Current Carrying Capacity    | acc. to EIA/IS-722, Test 4.3.3   |
| Moisture Resistance Test     | MIL-STD-202, Method 106E (50 cycles in a temp./mister chamber)         |
| Terminal Strength            | Tensile load min. 9 N (acc. to EIA/IS-722, Test 4.5.1)                 |
| Case Resistance              | acc. to EIA/IS-722, Test 4.7 >100 MΩ (between leads and body)          |
| Mechanical Shock             | MIL-STD-202, Method 213B (Shock 50gn, half sine wave, 11 ms)           |
| Vibration, High Frequency    | Shock 20 gn, 20 min, 10-2 kHz, 12 cyc. (acc. to EIA/IS-722, Test 4.10) |
| Resistance to Solvents       | MIL-STD-202, Method 215A   |
| Flammability                 | UL 94V-0 (acc. to EIA/IS-722, Test 4.12)                               |

**Dimensions**



Drilling diagram

## Pre-Arcing Time

|                  |               |               |                |                |               |               |                |                |
|------------------|---------------|---------------|----------------|----------------|---------------|---------------|----------------|----------------|
| Rated Current In | 1.5 x In min. | 2.1 x In max. | 2.75 x In min. | 2.75 x In max. | 4.0 x In min. | 4.0 x In max. | 10.0 x In min. | 10.0 x In max. |
| 0.05 A - 6.3 A   | 60 min        | 120 s         | 400 ms         | 10 s           | 150 ms        | 3 s           | 20 ms          | 150 ms         |

## Variants

S = Short Terminals  
L = Long Terminals  
T = Taped and Reeled

| Rated Current [A] | Rated Voltage [VAC] | Breaking Capacity | Voltage Drop 1.0 In max. [mV] | Voltage Drop 1.0 In typ. [mV] | Power Dissipation 1.5 I <sub>n</sub> max. [mW] | Melting I <sup>2</sup> t 10.0 Intyp. [A <sup>2</sup> s] |  |  |  |  |  |  | S | L | T | Order Number |
|-------------------|---------------------|-------------------|-------------------------------|-------------------------------|--|---|---|---|--|---|---|---|---|---|---|--------------|
| 0.05              | 250                 | 1)                | 550                           | 415                           | 155  | 0.03  | ●   | ●   | ●  | ●   | ●   | ●   |   |   |   | 0034.6602    |
| 0.063             | 250                 | 1)                | 480                           | 420                           | 160  | 0.05  | ●   | ●   | ●  | ●   | ●   | ●   |   |   |   | 0034.6603    |
| 0.08              | 250                 | 1)                | 400                           | 360                           | 165  | 0.06  | ●   | ●   | ●  | ●   | ●   | ●   |   |   |   | 0034.6604    |
| 0.1               | 250                 | 1)                | 350                           | 320                           | 170  | 0.08  | ●   | ●   | ●  | ●   | ●   | ●   |   |   |   | 0034.6605    |
| 0.125             | 250                 | 1)                | 300                           | 270                           | 180  | 0.12  | ●   | ●   | ●  | ●   | ●   | ●   |   |   |   | 0034.6606    |
| 0.16              | 250                 | 1)                | 280                           | 190                           | 190  | 0.24  | ●   | ●   | ●  | ●   | ●   | ●   |   |   |   | 0034.6607    |
| 0.2               | 250                 | 1)                | 260                           | 150                           | 200  | 0.35  | ●   | ●   | ●  | ●   | ●   | ●   |   |   |   | 0034.6608    |
| 0.25              | 250                 | 1)                | 240                           | 120                           | 220  | 0.6   | ●   | ●   | ●  | ●   | ●   | ●   |   |   |   | 0034.6609    |
| 0.315             | 250                 | 1)                | 220                           | 120                           | 250  | 0.8   | ●   | ●   | ●  | ●   | ●   | ●   |   |   |   | 0034.6610    |
| 0.4               | 250                 | 1)                | 200                           | 110                           | 280  | 1.1   | ●   | ●   | ●  | ●   | ●   | ●   |   |   |   | 0034.6611    |
| 0.5               | 250                 | 1)                | 190                           | 100                           | 310  | 2.5   | ●   | ●   | ●  | ●   | ●   | ●   |   |   |   | 0034.6612    |
| 0.63              | 250                 | 1)                | 180                           | 90                            | 360  | 4   | ●   | ●   | ●  | ●   | ●   | ●   |   |   |   | 0034.6613    |
| 0.8               | 250                 | 1)                | 160                           | 80                            | 430  | 8   | ●   | ●   | ●  | ●   | ●   | ●   |   |   |   | 0034.6614    |
| 1                 | 250                 | 1)                | 140                           | 70                            | 500  | 12  | ●   | ●   | ●  | ●   | ●   | ●   |   |   |   | 0034.6615    |
| 1.25              | 250                 | 1)                | 130                           | 70                            | 600  | 15  | ●   | ●   | ●  | ●   | ●   | ●   |   |   |   | 0034.6616    |
| 1.6               | 250                 | 1)                | 120                           | 60                            | 730  | 30  | ●   | ●   | ●  | ●   | ●   | ●   |   |   |   | 0034.6617    |
| 2                 | 250                 | 1)                | 100                           | 60                            | 870  | 34  | ●   | ●   | ●  | ●   | ●   | ●   |   |   |   | 0034.6618    |
| 2.5               | 250                 | 1)                | 100                           | 50                            | 1000   | 55  | ●   | ●   | ●  | ●   | ●   | ●   |   |   |   | 0034.6619    |
| 3.15              | 250                 | 1)                | 100                           | 50                            | 1200   | 76  | ●   | ●   | ●  | ●   | ●   | ●   |   |   |   | 0034.6620    |
| 4                 | 250                 | 2)                | 100                           | 50                            | 1400   | 80  | ●   | ●   | ●  | ●   | ●   | ●   |   |   |   | 0034.6621    |
| 5                 | 250                 | 3)                | -                             | 50                            | -  | 230   |   | ●   | ●  |   |   | ●   | ● |   |   | 0034.6622    |
| 6.3               | 250                 | 3)                | -                             | 45                            | -  | 360   |   | ●   | ●  |   |   | ●   | ● |   |   | 0034.6623    |
| 0.05              | 250                 | 1)                | 550                           | 415                           | 155  | 0.03  | ●   | ●   | ●  | ●   | ●   | ●   |   |   |   | 0034.6702    |
| 0.063             | 250                 | 1)                | 480                           | 420                           | 160  | 0.05  | ●   | ●   | ●  | ●   | ●   | ●   |   |   |   | 0034.6703    |
| 0.08              | 250                 | 1)                | 400                           | 360                           | 165  | 0.06  | ●   | ●   | ●  | ●   | ●   | ●   |   |   |   | 0034.6704    |
| 0.1               | 250                 | 1)                | 350                           | 320                           | 170  | 0.08  | ●   | ●   | ●  | ●   | ●   | ●   |   |   |   | 0034.6705    |
| 0.125             | 250                 | 1)                | 300                           | 270                           | 180  | 0.12  | ●   | ●   | ●  | ●   | ●   | ●   |   |   |   | 0034.6706    |
| 0.16              | 250                 | 1)                | 280                           | 190                           | 190  | 0.24  | ●   | ●   | ●  | ●   | ●   | ●   |   |   |   | 0034.6707    |
| 0.2               | 250                 | 1)                | 260                           | 150                           | 200  | 0.35  | ●   | ●   | ●  | ●   | ●   | ●   |   |   |   | 0034.6708    |
| 0.25              | 250                 | 1)                | 240                           | 120                           | 220  | 0.6   | ●   | ●   | ●  | ●   | ●   | ●   |   |   |   | 0034.6709    |
| 0.315             | 250                 | 1)                | 220                           | 120                           | 250  | 0.8   | ●   | ●   | ●  | ●   | ●   | ●   |   |   |   | 0034.6710    |
| 0.4               | 250                 | 1)                | 200                           | 110                           | 280  | 1.1   | ●   | ●   | ●  | ●   | ●   | ●   |   |   |   | 0034.6711    |
| 0.5               | 250                 | 1)                | 190                           | 100                           | 310  | 2.5   | ●   | ●   | ●  | ●   | ●   | ●   |   |   |   | 0034.6712    |
| 0.63              | 250                 | 1)                | 180                           | 90                            | 360  | 4   | ●   | ●   | ●  | ●   | ●   | ●   |   |   |   | 0034.6713    |
| 0.8               | 250                 | 1)                | 160                           | 80                            | 430  | 8   | ●   | ●   | ●  | ●   | ●   | ●   |   |   |   | 0034.6714    |
| 1                 | 250                 | 1)                | 140                           | 70                            | 500  | 12  | ●   | ●   | ●  | ●   | ●   | ●   |   |   |   | 0034.6715    |
| 1.25              | 250                 | 1)                | 130                           | 70                            | 600  | 15  | ●   | ●   | ●  | ●   | ●   | ●   |   |   |   | 0034.6716    |
| 1.6               | 250                 | 1)                | 120                           | 60                            | 730  | 30  | ●   | ●   | ●  | ●   | ●   | ●   |   |   |   | 0034.6717    |
| 2                 | 250                 | 1)                | 100                           | 60                            | 870  | 34  | ●   | ●   | ●  | ●   | ●   | ●   |   |   |   | 0034.6718    |
| 2.5               | 250                 | 1)                | 100                           | 50                            | 1000   | 55  | ●   | ●   | ●  | ●   | ●   | ●   |   |   |   | 0034.6719    |
| 3.15              | 250                 | 1)                | 100                           | 50                            | 1200   | 76  | ●   | ●   | ●  | ●   | ●   | ●   |   |   |   | 0034.6720    |
| 4                 | 250                 | 2)                | 100                           | 50                            | 1400   | 80  | ●   | ●   | ●  | ●   | ●   | ●   |   |   |   | 0034.6721    |
| 5                 | 250                 | 3)                | -                             | 50                            | -  | 230   |   | ●   | ●  |   |   | ●   | ● |   |   | 0034.6722    |
| 6.3               | 250                 | 3)                | -                             | 45                            | -  | 360   |   | ●   | ●  |   |   | ●   | ● |   |   | 0034.6723    |
| 0.05              | 250                 | 1)                | 550                           | 415                           | 155  | 0.03  | ●   | ●   | ●  | ●   | ●   | ●   |   |   | ● | 0034.6802    |

| Rated Current [A] | Rated Voltage [VAC] | Breaking Capacity | Voltage Drop 1.0 I <sub>n</sub> max. [mV] | Voltage Drop 1.0 I <sub>n</sub> typ. [mV] | Power Dissipation 1.5 I <sub>n</sub> max. [mW] | Melting I <sup>2</sup> t 10.0 I <sub>n</sub> typ. [A <sup>2</sup> s] |   |   |   |   |   |   |   | S | L | T | Order Number |
|-------------------|---------------------|-------------------|---|---|--|--|---|---|---|---|---|---|---|---|---|---|--------------|
| 0.063             | 250                 | 1)                | 480                                       | 420                                       | 160  | 0.05   | ● | ● | ● | ● | ● | ● | ● |   |   |   | 0034.6803    |
| 0.08              | 250                 | 1)                | 400                                       | 360                                       | 165  | 0.06   | ● | ● | ● | ● | ● | ● | ● |   |   |   | 0034.6804    |
| 0.1               | 250                 | 1)                | 350                                       | 320                                       | 170  | 0.08   | ● | ● | ● | ● | ● | ● | ● |   |   |   | 0034.6805    |
| 0.125             | 250                 | 1)                | 300                                       | 270                                       | 180  | 0.12   | ● | ● | ● | ● | ● | ● | ● |   |   |   | 0034.6806    |
| 0.16              | 250                 | 1)                | 280                                       | 190                                       | 190  | 0.24   | ● | ● | ● | ● | ● | ● | ● |   |   |   | 0034.6807    |
| 0.2               | 250                 | 1)                | 260                                       | 150                                       | 200  | 0.35   | ● | ● | ● | ● | ● | ● | ● |   |   |   | 0034.6808    |
| 0.25              | 250                 | 1)                | 240                                       | 120                                       | 220  | 0.6  | ● | ● | ● | ● | ● | ● | ● |   |   |   | 0034.6809    |
| 0.315             | 250                 | 1)                | 220                                       | 120                                       | 250  | 0.8  | ● | ● | ● | ● | ● | ● | ● |   |   |   | 0034.6810    |
| 0.4               | 250                 | 1)                | 200                                       | 110                                       | 280  | 1.1  | ● | ● | ● | ● | ● | ● | ● |   |   |   | 0034.6811    |
| 0.5               | 250                 | 1)                | 190                                       | 100                                       | 310  | 2.5  | ● | ● | ● | ● | ● | ● | ● |   |   |   | 0034.6812    |
| 0.63              | 250                 | 1)                | 180                                       | 90  | 360  | 4  | ● | ● | ● | ● | ● | ● | ● |   |   |   | 0034.6813    |
| 0.8               | 250                 | 1)                | 160                                       | 80  | 430  | 8  | ● | ● | ● | ● | ● | ● | ● |   |   |   | 0034.6814    |
| 1                 | 250                 | 1)                | 140                                       | 70  | 500  | 12   | ● | ● | ● | ● | ● | ● | ● |   |   |   | 0034.6815    |
| 1.25              | 250                 | 1)                | 130                                       | 70  | 600  | 15   | ● | ● | ● | ● | ● | ● | ● |   |   |   | 0034.6816    |
| 1.6               | 250                 | 1)                | 120                                       | 60  | 730  | 30   | ● | ● | ● | ● | ● | ● | ● |   |   |   | 0034.6817    |
| 2                 | 250                 | 1)                | 100                                       | 60  | 870  | 34   | ● | ● | ● | ● | ● | ● | ● |   |   |   | 0034.6818    |
| 2.5               | 250                 | 1)                | 100                                       | 50  | 1000   | 55   | ● | ● | ● | ● | ● | ● | ● |   |   |   | 0034.6819    |
| 3.15              | 250                 | 1)                | 100                                       | 50  | 1200   | 76   | ● | ● | ● | ● | ● | ● | ● |   |   |   | 0034.6820    |
| 4                 | 250                 | 2)                | 100                                       | 50  | 1400   | 80   | ● | ● | ● | ● | ● | ● | ● |   |   |   | 0034.6821    |
| 5                 | 250                 | 3)                | -   | 50  | -  | 230  | ● | ● | ● | ● | ● | ● | ● |   |   |   | 0034.6822    |
| 6.3               | 250                 | 3)                | -   | 45  | -  | 360  | ● | ● | ● | ● | ● | ● | ● |   |   |   | 0034.6823    |

1) IEC: 35 A @ 250 VAC

1) UL: 35 A @ 250 VAC / 50 A @ 63 VDC

2) IEC: 10 I<sub>n</sub> @ 250 VAC

2) UL: 10 I<sub>n</sub> @ 250 VAC / 50 A @ 63 VDC

3) IEC: 10 I<sub>n</sub> @ 250 VAC

3) UL: 10 I<sub>n</sub> @ 250 VAC / 10 I<sub>n</sub> @ 63 VDC

|                       |     |                             |
|-----------------------|-----|-----------------------------|
| <b>Packaging Unit</b> | S = | Plastic Bag (100 pcs.)      |
|                       | L = | Bulk (100 pcs.)             |
|                       | T = | Taped 36 cm Reel (750 pcs.) |

## Time-Current-Curves



## Данный компонент на территории Российской Федерации

### Вы можете приобрести в компании MosChip.

Для оперативного оформления запроса Вам необходимо перейти по данной ссылке:

<http://moschip.ru/get-element>

Вы можете разместить у нас заказ для любого Вашего проекта, будь то серийное производство или разработка единичного прибора.

В нашем ассортименте представлены ведущие мировые производители активных и пассивных электронных компонентов.

Нашей специализацией является поставка электронной компонентной базы двойного назначения, продукции таких производителей как XILINX, Intel (ex.ALTERA), Vicor, Microchip, Texas Instruments, Analog Devices, Mini-Circuits, Amphenol, Glenair.

Сотрудничество с глобальными дистрибьюторами электронных компонентов, предоставляет возможность заказывать и получать с международных складов практически любой перечень компонентов в оптимальные для Вас сроки.

На всех этапах разработки и производства наши партнеры могут получить квалифицированную поддержку опытных инженеров.

Система менеджмента качества компании отвечает требованиям в соответствии с ГОСТ Р ИСО 9001, ГОСТ РВ 0015-002 и ЭС РД 009

### Офис по работе с юридическими лицами:

105318, г.Москва, ул.Щербаковская д.3, офис 1107, 1118, ДЦ «Щербаковский»

Телефон: +7 495 668-12-70 (многоканальный)

Факс: +7 495 668-12-70 (доб.304)

E-mail: [info@moschip.ru](mailto:info@moschip.ru)

Skype отдела продаж:

moschip.ru

moschip.ru\_4

moschip.ru\_6

moschip.ru\_9