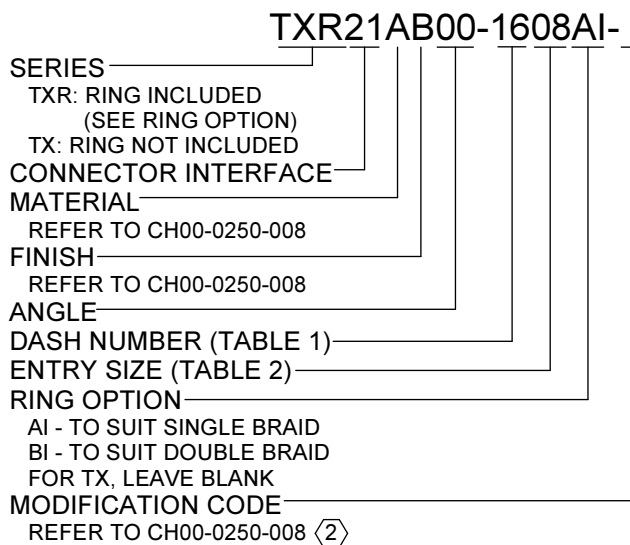


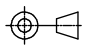


CODE 21 - TINEL-LOCK BACKSHELL



NOTES:

1. THIS PRODUCT IS DESIGNED TO TERMINATE A BRAIDED CABLE SHIELD AND A HEAT SHRINKABLE LIPPED BOOT TO A CONNECTOR.
- (2) FOR ADDITIONAL DIMENSIONS, ORDERING INFORMATION AND MODIFICATIONS, SEE CH00-0250-008.
- (3) SEE DRAWING TR FOR DETAIL ON TINEL-LOCK RING, RINGS ARE DESIGNED TO BE HEATED ELECTRICALLY, ALL RINGS ARE MARKED WITH THERMOCHROMIC PAINT WHICH CHANGES COLOUR WHEN INSTALLATION TEMPERATURE IS REACHED.
4. BACKSHELL TO BE PERMANENTLY MARKED/BAGGED AND LABELLED WITH CODE IDENTIFICATION NUMBER AND PART NUMBER LESS RING DESIGNATOR. (e.g. 06090-TXR21AB00-1406). RING SHALL BEAR NO MARKING.
- (5) FOR LARGER ENTRY SIZES, A 2 PIECE BACKSHELL ASSEMBLY (TYPE 2) IS SUPPLIED.
6. BACKSHELL MATES TO MIL-DTL-26482 SERIES I, MS3110, MS3116, MS3120, MS3126 CLASS E AND F CONNECTORS.
- (7) ANTI-ROTATIONAL SET SCREW, 3 THREADED HOLES $120^\circ \pm 5^\circ$ APART, SINGLE MATING SET SCREW SUPPLIED.

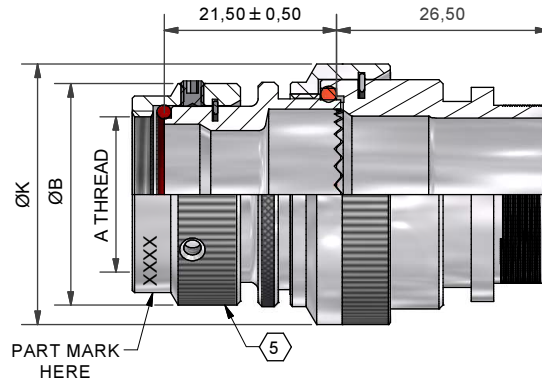
If this document is printed it becomes uncontrolled. Check for the latest revision

DRAWN	K.WINCZURA	DATE	04/12/2014	 3RD ANGLE PROJECTION NOT TO SCALE	TITLE: TINEL-LOCK BACKSHELL	 Polanco 		
CHECKED		04/12/2014						
APPROVED	K.SHEPPARD	08/12/2014	<small>UNLESS OTHERWISE SPECIFIED ALL DIMENSIONS IN MILLIMETRES GENERAL TOL LINEAR +/-0.25MM ANGULAR +/- 1°</small>					
APPROVED	H.SMITH	13/07/2015						
REVISIONS					ASSY USED ON: MIL-DTL-26482 SERIES I			
LTR	DESCRIPTION	DATE	APPROVED					
H	REVISED PER ECO-15-002324	17/02/2015	H.SMITH					
J	REVISED PER ECO-15-010170	13/07/2015	H.SMITH					
TE CAGE CODE: 06090 POLAMCO/TE CAGE CODE: U5792					<small>TE CONNECTIVITY - POLAMCO LTD RESERVES THE RIGHT TO AMEND THIS DRAWING AND THE INFORMATION SET FORTH HEREON AT ANY TIME. USERS SHOULD INDEPENDENTLY EVALUATE THE SUITABILITY OF THE PRODUCT FOR THEIR APPLICATION.</small>	DRAWING NO: TXR21	DRAWING REV: J	SHT 1

IF MAX ENTRY IS EXCEEDED BACKSHELL
WILL BE SUPPLIED AS TYPE 2



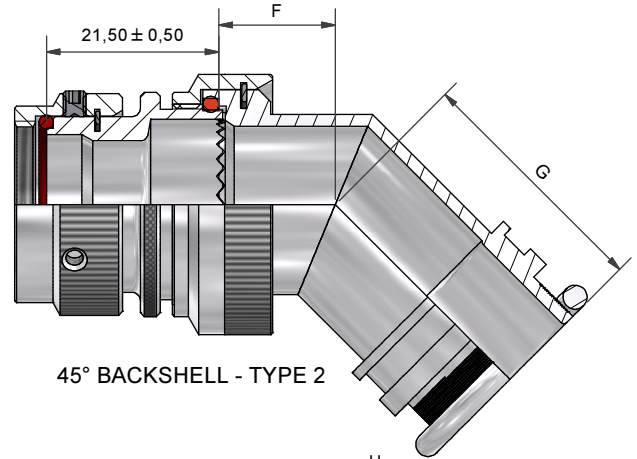
STRAIGHT BACKSHELL - TYPE 1



STRAIGHT BACKSHELL - TYPE 2



45° BACKSHELL - TYPE 1



45° BACKSHELL - TYPE 2



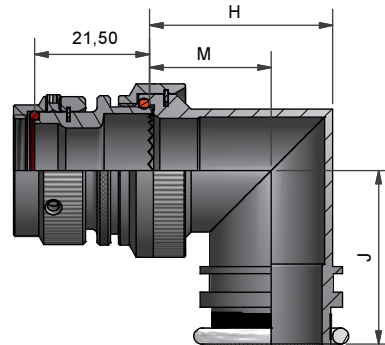
90° BACKSHELL - TYPE 1



90° BACKSHELL - TYPE 2

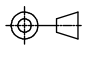


90° BACKSHELL - TYPE 1
STAINLESS STEEL AND
NICKEL ALUMINIUM BRONZE



90° BACKSHELL - TYPE 2
STAINLESS STEEL AND
NICKEL ALUMINIUM BRONZE

If this document is printed it becomes uncontrolled. Check for the latest revision

DRAWN	K.WINCZURA	DATE	04/12/2014	 3RD ANGLE PROJECTION NOT TO SCALE
CHECKED		DATE	04/12/2014	
APPROVED	K.SHEPPARD	DATE	08/12/2014	
APPROVED	H.SMITH	DATE	13/07/2015	
UNLESS OTHERWISE SPECIFIED ALL DIMENSIONS IN MILLIMETRES GENERAL TOL LINEAR +/-0,25MM ANGULAR +/- 1°				
REVISIONS				
LTR	DESCRIPTION	DATE	APPROVED	
H	REVISED PER ECO-15-002324	17/02/2015	H.SMITH	
J	REVISED PER ECO-15-010170	13/07/2015	H.SMITH	

TITLE:	TINEL-LOCK BACKSHELL		
ASSY USED ON:	MIL-DTL-26482 SERIES I		



TE CAGE CODE: 06090			
POLAMCO/TE CAGE CODE: U5792			

TE CONNECTIVITY - POLAMCO LTD RESERVES THE RIGHT TO AMEND THIS DRAWING AND THE INFORMATION SET FORTH HEREON AT ANY TIME. USERS SHOULD INDEPENDENTLY EVALUATE THE SUITABILITY OF THE PRODUCT FOR THEIR APPLICATION.

DRAWING NO:	DRAWING REV:	SHT
TXR21	J	2

TABLE 1

ORDER NUMBER	SHELL SIZE	A THREAD	ØB MAX	MAX ENTRY	C ±0,5	D ±0,5	W ±0,5	T ±0,5	E ±0,5	THESE DIMENSIONS APPLY IF BACKSHELL IS STAINLESS STEEL OR NICKEL ALUMINIUM BRONZE		
										W ±0,5	T ±0,5	E ±0,5
08	08	7/16-28UNEF	18,05	04	13,9	26,8	25,0	17,5	26,20	22,5	17,5	26,4
10	10	9/16-24UNEF	21,55	06	14,7	27,5	28,0	18,6	27,95	25,8	18,6	28,2
12	12	11/16-24UNEF	24,65	08	15,1	28,0	31,5	20,5	29,45	29,5	20,5	29,7
14	14	13/16-20UNEF	27,65	10	16,0	29,0	35,0	22,5	31,00	32,7	22,5	31,2
16	16	15/16-20UNEF	31,05	12	16,3	29,7	38,0	24,0	32,70	35,5	24,0	32,9
18	18	1 1/16-18UNEF	34,35	12	17,3	30,5	41,5	26,0	34,25	39,3	26,0	34,5
20	20	1 3/16-18UNEF	37,55	14	18,1	30,9	45,0	28,0	35,80	42,7	28,0	36,1
22	22	1 5/16-18UNEF	40,55	16	18,5	31,1	48,0	29,5	37,40	45,7	29,5	37,6
24	24	1 7/16-18UNEF	43,55	18	19,3	32,1	51,0	31,0	38,90	48,4	31,0	39,1

TABLE 2

ENTRY SIZE	ØZ MIN	ØS	ØY ± 0,3	ØK MAX	F ±0,5	G ±0,5	H ±0,5	M ±0,5	J ±0,5	THESE DIMENSIONS APPLY IF BACKSHELL IS STAINLESS STEEL OR NICKEL ALUMINIUM BRONZE		
										H ±0,5	M ±0,5	J ±0,5
04	6,35	9,49 +/-0,04	14,00	NA	NA	NA	NA	NA	NA	NA	NA	NA
05	7,92	11,06 +/-0,04	15,50	21,0	12,5	27,5	24,0	15,5	27,95	24,3	17,2	28,2
06	9,53	12,66 +/-0,04	17,10	21,0	12,5	27,5	24,0	15,5	27,95	24,3	17,2	28,2
07	11,10	14,21 +/-0,07	18,70	21,0	12,5	27,5	24,0	15,5	27,95	24,3	17,2	28,2
08	12,70	15,81 +/-0,07	20,30	24,5	13,1	28,0	27,0	17,0	29,45	28,3	19,4	29,7
10	15,88	18,96 +/-0,08	23,50	29,0	13,5	29,0	31,0	19,5	31,00	31,1	21,0	31,2
12	19,05	22,14 +/-0,08	26,70	32,5	14,5	29,7	34,0	21,0	32,70	34,2	22,8	32,9
14	22,23	25,30 +/-0,08	29,80	35,5	15,5	30,5	35,0	20,0	34,25	38,5	25,3	34,5
16	25,40	28,48 +/-0,08	33,00	37,0	16,1	30,9	38,0	21,5	35,80	40,7	26,1	36,1
18	28,58	31,65 +/-0,08	36,20	40,0	16,5	31,1	42,0	24,0	37,40	43,7	27,6	37,6
20	31,75	34,83 +/-0,08	39,40	43,5	17,0	32,1	45,0	25,5	38,90	46,4	29,1	39,1
22	34,93	37,98 +/-0,08	42,50	48,5	18,5	35,3	54,5	31,0	42,00	50,0	31,0	42,0
24	38,10	41,15 +/-0,08	45,70	52,1	21,9	38,1	58,0	33,0	46,00	53,5	33,0	46,0

If this document is printed it becomes uncontrolled. Check for the latest revision

DRAWN	K.WINCZURA	DATE	04/12/2014	 3RD ANGLE PROJECTION NOT TO SCALE	TITLE: TINEL-LOCK BACKSHELL	 Polanco		
CHECKED		04/12/2014						
APPROVED	K.SHEPPARD	08/12/2014	UNLESS OTHERWISE SPECIFIED ALL DIMENSIONS IN MILLIMETRES GENERAL TOL LINEAR +/-0,25MM ANGULAR +/- 1°					
APPROVED	H.SMITH	13/07/2015						
REVISIONS					ASSY USED ON: MIL-DTL-26482 SERIES I	 TE connectivity		
LTR	DESCRIPTION	DATE	APPROVED					
H	REVISED PER ECO-15-002324	17/02/2015	H.SMITH					
J	REVISED PER ECO-15-010170	13/07/2015	H.SMITH					
TE CAGE CODE: 06090 POLAMCO/TE CAGE CODE: U5792					TE CONNECTIVITY - POLAMCO LTD RESERVES THE RIGHT TO AMEND THIS DRAWING AND THE INFORMATION SET FORTH HEREON AT ANY TIME. USERS SHOULD INDEPENDENTLY EVALUATE THE SUITABILITY OF THE PRODUCT FOR THEIR APPLICATION.	DRAWING NO: TXR21	DRAWING REV: J	SHT 3

Данный компонент на территории Российской Федерации

Вы можете приобрести в компании MosChip.

Для оперативного оформления запроса Вам необходимо перейти по данной ссылке:

<http://moschip.ru/get-element>

Вы можете разместить у нас заказ для любого Вашего проекта, будь то серийное производство или разработка единичного прибора.

В нашем ассортименте представлены ведущие мировые производители активных и пассивных электронных компонентов.

Нашей специализацией является поставка электронной компонентной базы двойного назначения, продукции таких производителей как XILINX, Intel (ex.ALTERA), Vicor, Microchip, Texas Instruments, Analog Devices, Mini-Circuits, Amphenol, Glenair.

Сотрудничество с глобальными дистрибьюторами электронных компонентов, предоставляет возможность заказывать и получать с международных складов практически любой перечень компонентов в оптимальные для Вас сроки.

На всех этапах разработки и производства наши партнеры могут получить квалифицированную поддержку опытных инженеров.

Система менеджмента качества компании отвечает требованиям в соответствии с ГОСТ Р ИСО 9001, ГОСТ РВ 0015-002 и ЭС РД 009

Офис по работе с юридическими лицами:

105318, г.Москва, ул.Щербаковская д.3, офис 1107, 1118, ДЦ «Щербаковский»

Телефон: +7 495 668-12-70 (многоканальный)

Факс: +7 495 668-12-70 (доб.304)

E-mail: info@moschip.ru

Skype отдела продаж:

moschip.ru

moschip.ru_4

moschip.ru_6

moschip.ru_9