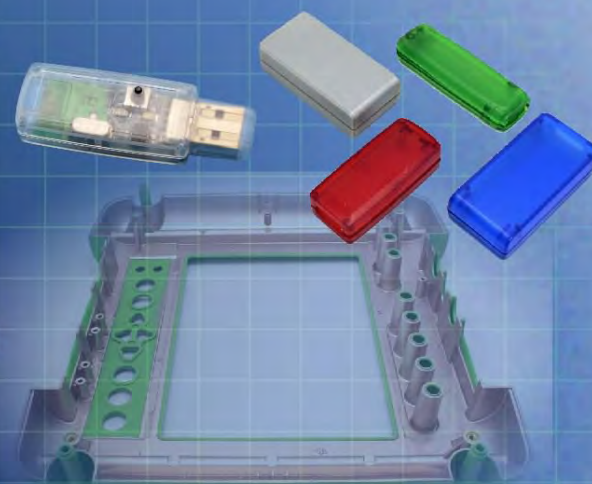


Ordering a market-ready enclosure® is made fast and affordable with our complete in-house capabilities. New Age provides machined openings to fit your PCB, pad printing for your graphics, custom enclosures, custom colors, final assembly, testing and fulfillment services to save you additional time and money. Ask your representative for a free quote today 805-595-1310.

Fast and Affordable Customization

**CNC Modifications
Pad Printing
Colored Resins
EMI/RF Shielding
Custom Enclosure
Assembly & Testing**



ISO quality
off-the-shelf
to market-ready®

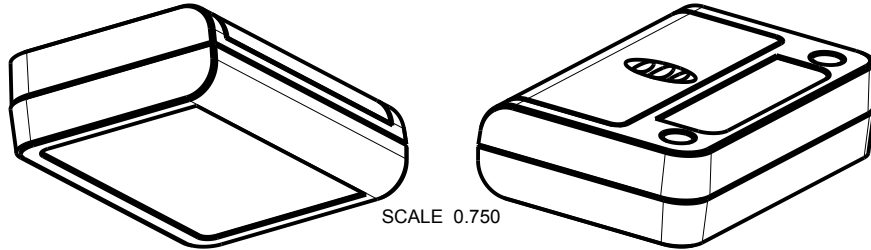
NEW AGE ENCLOSURES

www.NewAgeEnclosures.com

4330 Santa Fe Road • San Luis Obispo, CA 93401 • T 805.595.1310 • F 805.595.1024

NOTES: UNLESS OTHERWISE SPECIFIED

1. CORNERS DRAWN SHARP TO BE R.005 MAXIMUM.
2. EXTERIOR SURFACE TEXTURE TO BE LIGHT EDM FINISH. EQUIVALENT TO MT-11006.
3. INTERIOR SURFACE TEXTURE TO BE: NONE.
4. ALL INSIDE RADII .010R. UNLESS OTHERWISE SPECIFIED.
5. ALL EXTERNAL DIMENSIONS AFFECTED BY THE DRAFT APPLY AT THE LARGE END OF THE FEATURE, AND ALL INTERNAL FEATURES AFFECTED BY THE DRAFT APPLY AT THE SMALL END OF THE FEATURE UNLESS OTHERWISE SPECIFIED.
6. 1 DEGREE DRAFT IN THE DIRECTION OF PULL IS PERMISSIBLE UNLESS OTHERWISE SPECIFIED.
7. MATERIAL / COLOR: ABS PLASTIC IS STANDARD IN BLACK OR WHITE. CUSTOM MATERIALS AND COLORS ARE AVAILABLE UPON REQUEST FOR QUOTE.
8. PCB SIZES ARE RECOMMENDATIONS ONLY. FINAL SIZES AND VERIFICATION OF ITS FIT ARE THE SOLE RESPONSIBILITY OF EACH OWNER.
9. STANDARD OR CUSTOM LABEL RECESSES ARE AVAILABLE FOR QUOTE.
10. ASSEMBLY SCREWS FOR THE ENCLOSURE INCLUDED.
11. THIS DRAWING IS BASED ON A SOLID MODEL, AND IS FURTHER DEFINED BY THE SOLID MODEL FILE.



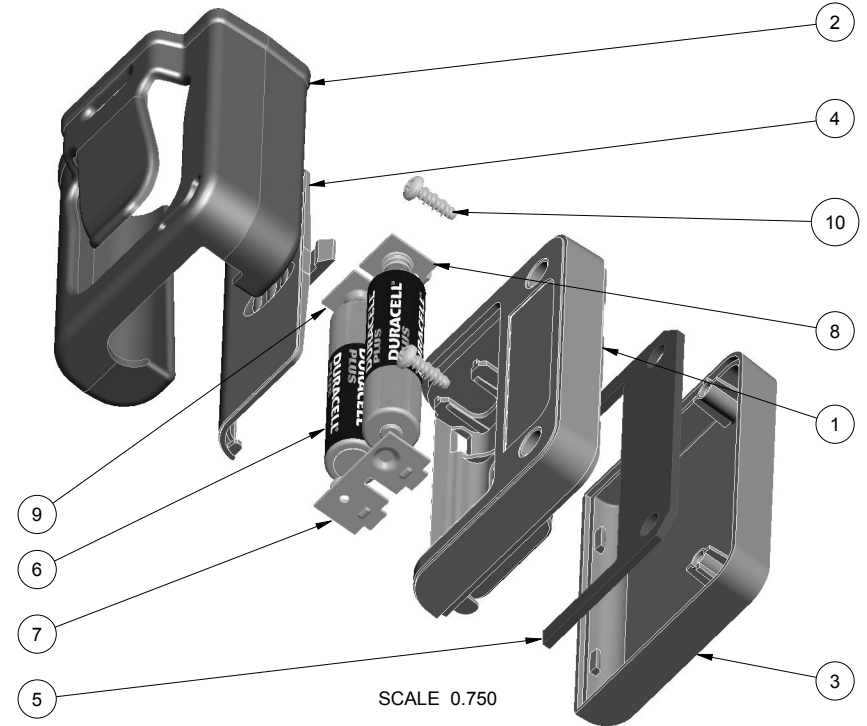
| 261707(x) CONFIGURATIONS | | | |
|--------------------------|--------|-----|----|
| | -Blank | -BC | -K |
| 261707 COVER | 1 | | 1 |
| 261707 BASE | 1 | | 1 |
| 261707 HATCH | 1 | | 1 |
| 261707 BELT CLIP | | 1 | 1 |
| #4 HiLo SCREW .375" | 2 | | 2 |

| ITEM | FILE NAME | DESCRIPTION | MATERIAL | COLOR | QTY. |
|------|-----------------------|-------------------------|-----------------|-------------------|------|
| 10 | N04_HI-LO | SCREW - HiLo #4 | No4 HiLo x 3/8" | ZINC PLATED | 2 |
| 9 | AAA-SINGL-CONTACT-POS | ACC-AAAPOS-5226 | SOLD SEPERATELY | NICKEL PLATED | 1 |
| 8 | AAA-SINGL-CONTACT-NEG | ACC-AAANEG-5204 | SOLD SEPERATELY | NICKEL PLATED | 1 |
| 7 | AAA-DBL-CONTACT | ACC-AAADBL-5214L | SOLD SEPERATELY | NICKEL PLATED | 1 |
| 6 | AAA-BATTERY | AAA BATTERY | REFERENCE | CUSTOMER SUPPLIED | 2 |
| 5 | 261707-PCB | 261707 PCB - REFERENCE | .062" THICK | CUSTOMER SUPPLIED | 1 |
| 4 | 261707-HATCH | 261707 HATCH - STANDARD | ABS | BLACK or WHITE | 1 |
| 3 | 261707-COVER | 261707 COVER - STANDARD | ABS | BLACK or WHITE | 1 |
| 2 | 261707-BELT-CLIP | 261707 BELT CLIP | ABS | BLACK or WHITE | 1 |
| 1 | 261707-BASE | 261707 BASE - STANDARD | ABS | BLACK or WHITE | 1 |

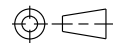
BILL OF MATERIALS

R E V I S I O N

| REV. | DRAWN BY | ECO No | DESCRIPTION | DATE | APPROVED |
|------|----------|--------|---|-----------|----------|
| A | M BOYER | DR XXX | PRELIMINARY RELEASE | 17-May-13 | D.C. |
| B | M BOYER | | REVISE PART NUMBER AND REVISE PER MEETING | 25-Jun-13 | D.C. |
| C | R CRUZ | | ADD BELT CLIP INFORMATION | 18-Oct-13 | D.C. |
| D | M BOYER | | REVISE BELT CLIP | 11-Nov-13 | D.C. |
| E | M BOYER | | REVISE PER MEETING NOV 18 2013 | 19-Nov-13 | D.C. |
| F | R CRUZ | | UPDATE CONFIGURATION TABLE | 27-May-14 | D.C. |
| 1.0 | R CRUZ | 0319 | UPDATE TO AS BUILT AND RELEASE | 12-Jun-14 | |



THIRD ANGLE PROJECTION



DO NOT SCALE DRAWING

TOLERANCES: UNLESS OTHERWISE SPECIFIED
DIMENSIONS ARE IN U.S. INCHES.
X.XX = .015 X.XXXX = .001
X.XXX = .010 X.X" = 1"

NEW AGE ENCLOSURES

Customer's Part No: 261707

APPROVAL BY DATE

CHECK

ENG.

SCALE AS NOTED

DRAWN BY M BOYER 17-May-13

NEW AGE ENCLOSURES

4330 Santa Fe Road San Luis Obispo, CA. 93401

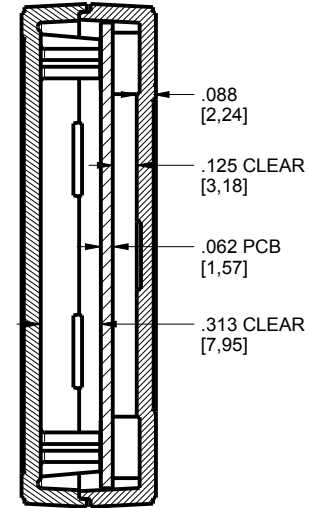
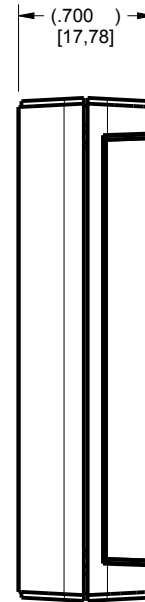
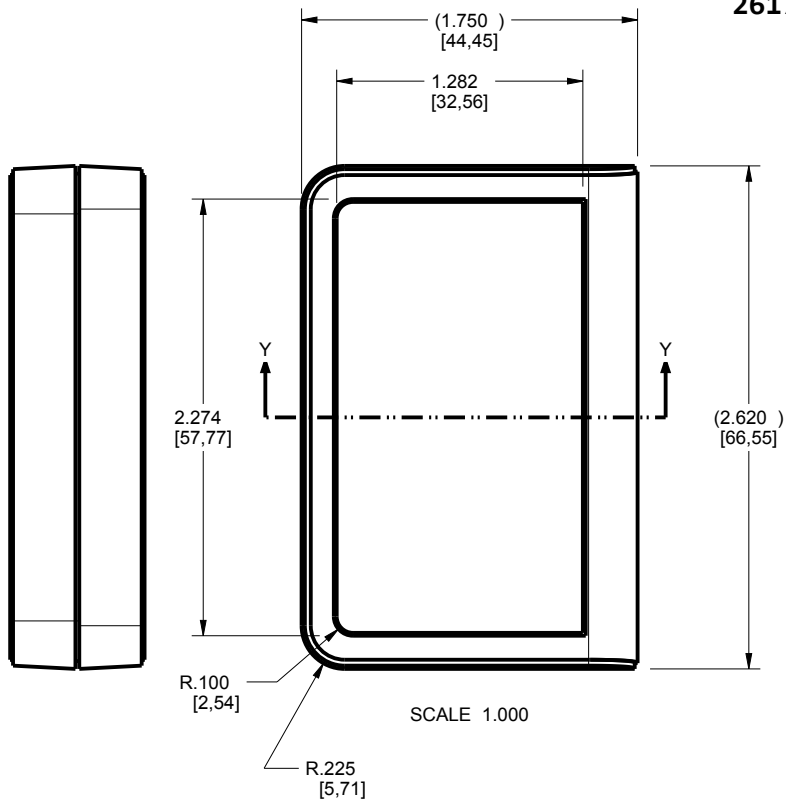
ph. (805) 595-1310 fax (805) 595-1024

www.newageenclosures.com

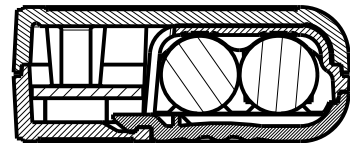
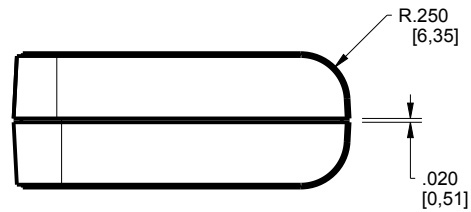
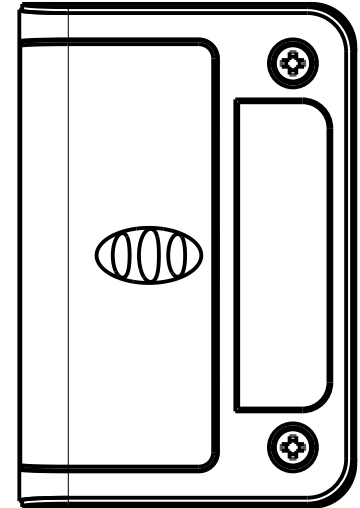
**STANDARD - AAA FOB
SXX-261707-XXX**

SIZE A DRAWING NAME 261707_R1_0 SHEET 1 OF 8 REV.DOC 1.0

261707 ASSEMBLY



SECTION R-R



SECTION Y-Y

TOLERANCES: UNLESS OTHERWISE SPECIFIED
DIMENSIONS ARE IN U.S. INCHES.
X.XX = .015 X.XXXX = .001
X.XXX = .010 X.X° = 1°

NEW AGE ENCLOSURES

Customer's Part No: 261707

APPROVAL BY DATE

CHECK

ENG.

SCALE AS NOTED

DRAWN BY M BOYER 17-May-13

NEW AGE ENCLOSURES

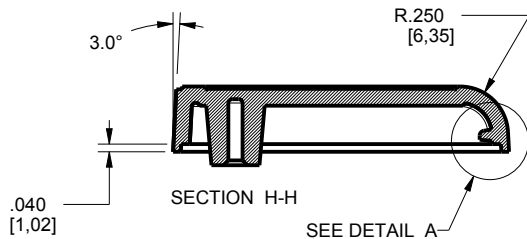
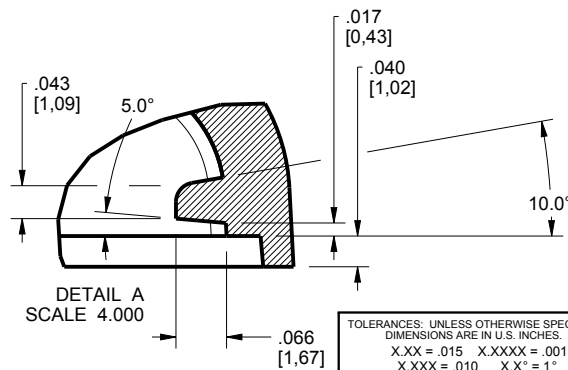
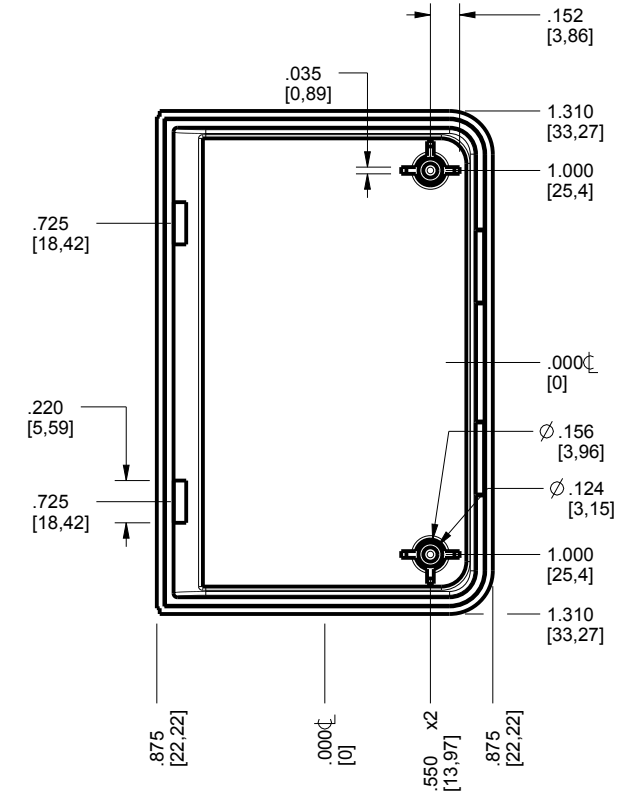
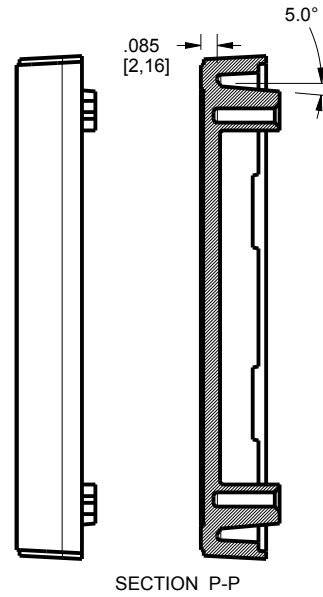
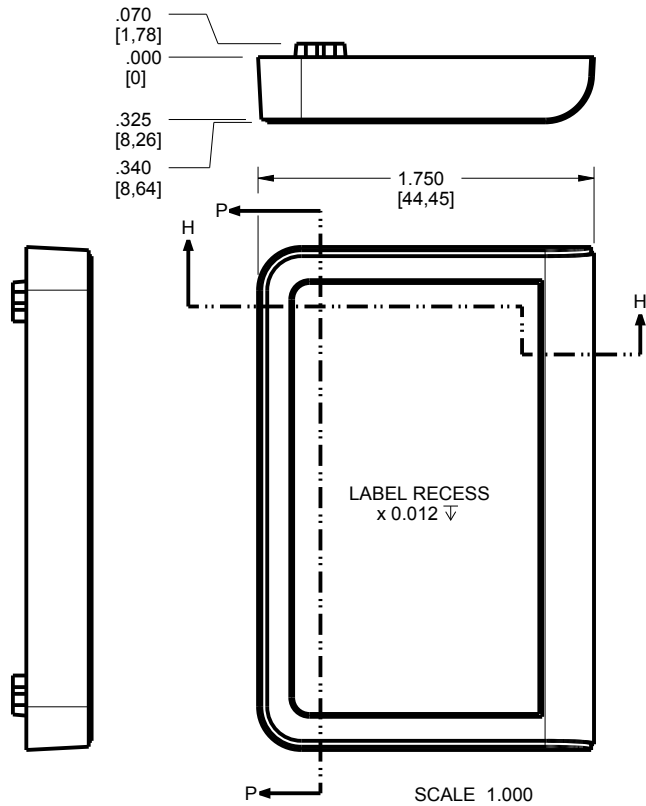
4330 Santa Fe Road San Luis Obispo, CA. 93401
ph. (805) 595-1310 fax (805) 595-1024
www.newageenclosures.com

STANDARD - AAA FOB
SXX-261707-XXX

SIZE A DRAWING NAME 261707_R1_0

SHEET 2 OF 8 REV.DOC 1.0

261707 COVER



TOLERANCES: UNLESS OTHERWISE SPECIFIED
DIMENSIONS ARE IN U.S. INCHES.
X.XX = .015 X.XXXX = .001
X.XXX = .010 X.X° = 1°

NEW AGE ENCLOSURES

Customer's Part No: 261707

APPROVAL BY DATE

CHECK

ENG.

SCALE AS NOTED

DRAWN BY M BOYER 17-May-13

NEW AGE ENCLOSURES

4330 Santa Fe Road San Luis Obispo, CA. 93401

ph. (805) 595-1310 fax (805) 595-1024

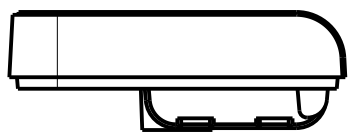
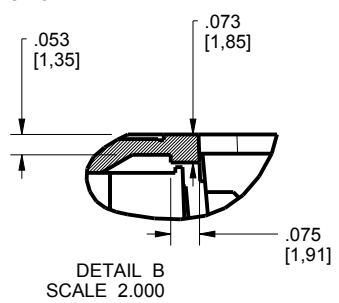
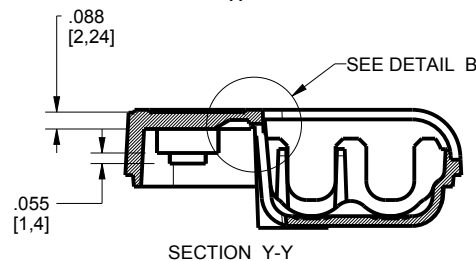
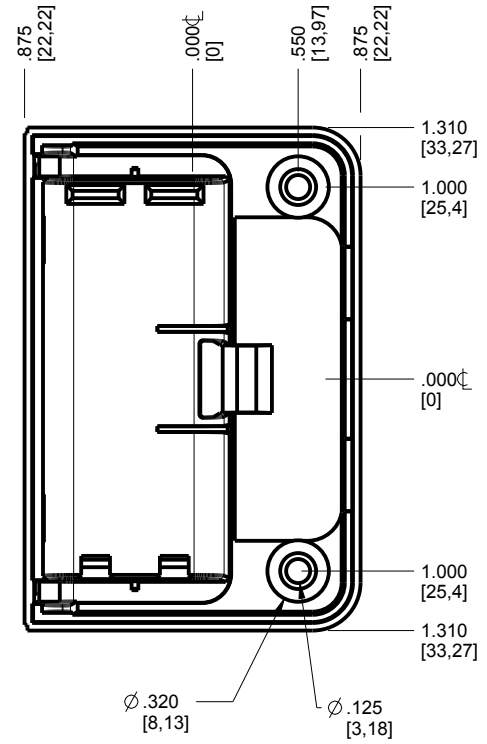
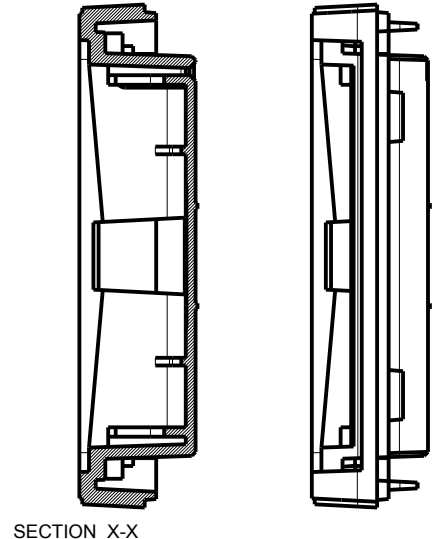
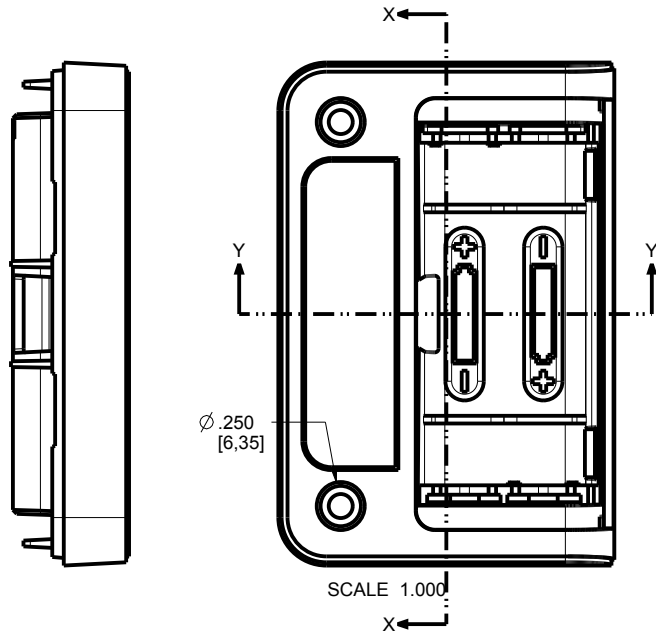
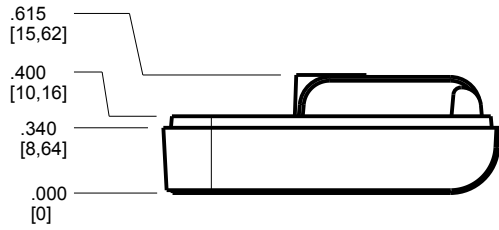
www.newageenclosures.com

STANDARD - AAA FOB
SXX-261707-XXX

SIZE A DRAWING NAME 261707_R1_0

SHEET 3 OF 8 REV.DOC 1.0

261707 BASE



TOLERANCES: UNLESS OTHERWISE SPECIFIED DIMENSIONS ARE IN U.S. INCHES.
 X.XX = .015 X.XXXX = .001
 X.XXX = .010 X.X° = 1°

NEW AGE ENCLOSURES
 Customer's Part No: 261707

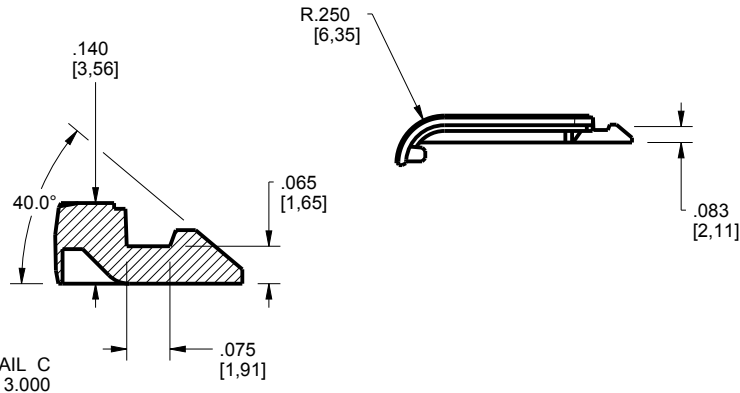
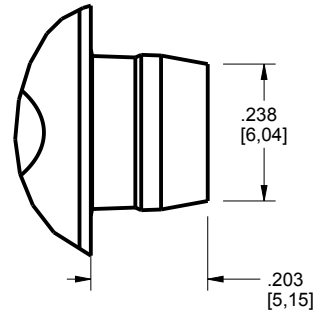
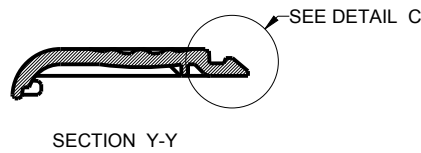
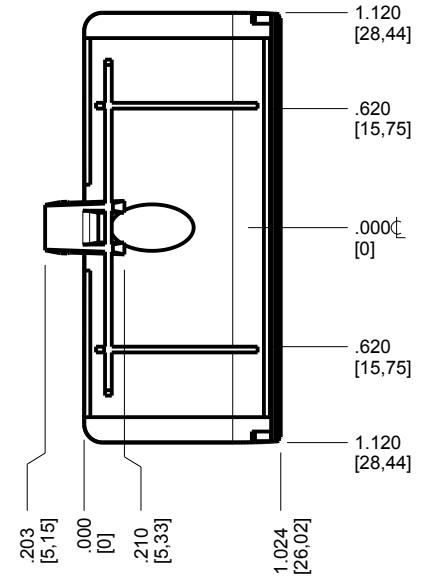
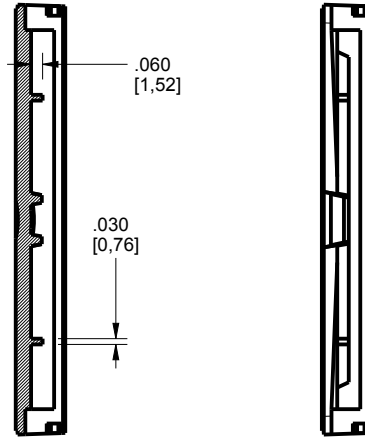
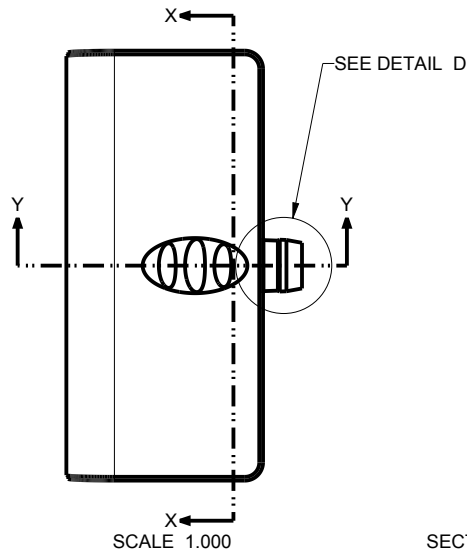
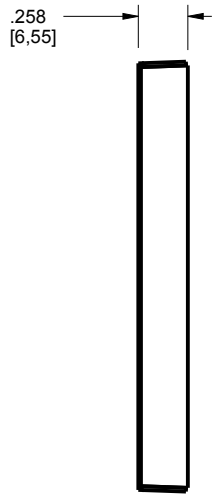
| | | |
|----------|-----------|------|
| APPROVAL | BY | DATE |
| CHECK | | |
| ENG. | | |
| SCALE | AS NOTED | |
| DRAWN BY | M BOYER | |
| | 17-May-13 | |

NEW AGE ENCLOSURES
 4330 Santa Fe Road San Luis Obispo, CA. 93401
 ph. (805) 595-1310 fax (805) 595-1024
www.newageenclosures.com

STANDARD - AAA FOB
SXX-261707-XXX

| | | | |
|------|--------------|--------|---------|
| SIZE | DRAWING NAME | SHEET | REV.DOC |
| A | 261707_R1_0 | 4 OF 8 | 1.0 |

261707 HATCH



TOLERANCES - UNLESS OTHERWISE SPECIFIED
DIMENSIONS ARE IN U.S. INCHES.
X.XX = .015 X.XXXX = .001
X.XXX = .010 X.X° = 1°

NEW AGE ENCLOSURES
Customer's Part No: 261707

| | | |
|----------|----------|------|
| APPROVAL | BY | DATE |
| CHECK | | |
| ENG. | | |
| SCALE | AS NOTED | |

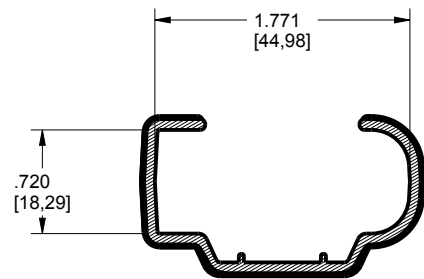
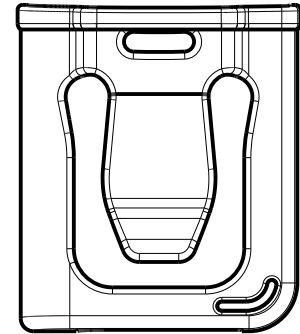
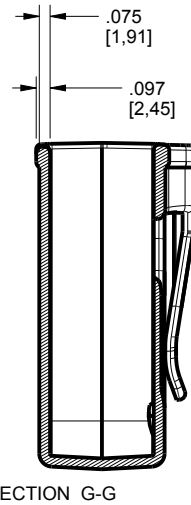
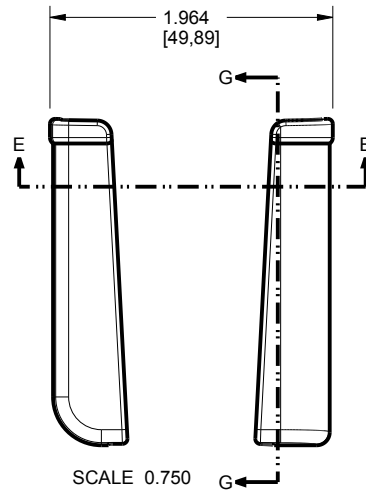
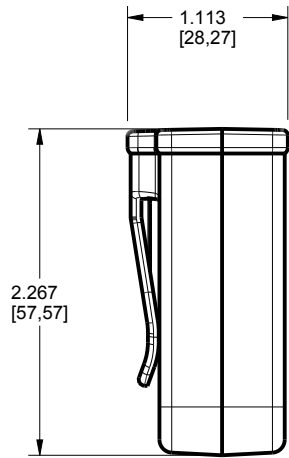
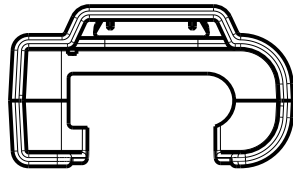
DRAWN BY
M BOYER 17-May-13

NEW AGE ENCLOSURES
4330 Santa Fe Road San Luis Obispo, CA. 93401
ph. (805) 595-1310 fax (805) 595-1024
www.newageenclosures.com

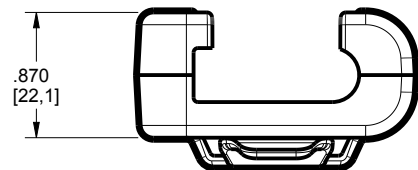
STANDARD - AAA FOB
SXX-261707-XXX

| | | | |
|-----------|-----------------------------|-----------------|----------------|
| SIZE A | DRAWING NAME 261707_R1_0 | SHEET 5 OF 8 | REV.DOC 1.0 |
|-----------|-----------------------------|-----------------|----------------|

261707 BELT CLIP



SECTION E-E



| | |
|--|-----------|
| TOLERANCES: UNLESS OTHERWISE SPECIFIED DIMENSIONS ARE IN U.S. INCHES. | |
| X.XX = .015 X.XXXX = .001 | |
| X.XXX = .010 X.X° = 1° | |
| NEW AGE ENCLOSURES | |
| Customer's Part No: 261707 | |
| APPROVAL | BY DATE |
| CHECK | |
| ENG. | |
| SCALE | AS NOTED |
| DRAWN BY | |
| M BOYER | 17-May-13 |

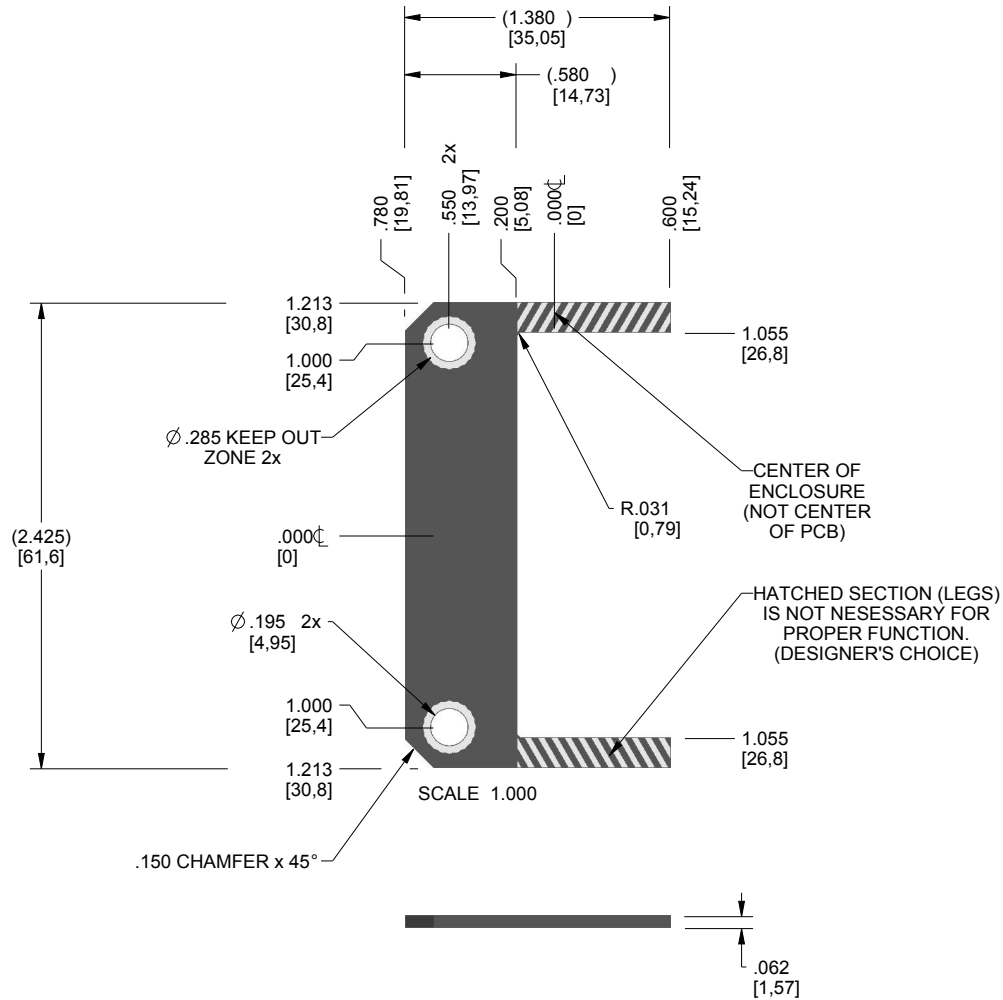
NEW AGE ENCLOSURES
 4330 Santa Fe Road San Luis Obispo, CA. 93401
 ph. (805) 595-1310 fax (805) 595-1024
www.newageenclosures.com

STANDARD - AAA FOB
 SXX-261707-XXX

| | | | |
|------|--------------|--------|---------|
| SIZE | DRAWING NAME | SHEET | REV.DOC |
| A | 261707_R1_0 | 6 OF 8 | 1.0 |

261707 PCB - CUSTOMER SUPPLIED

PCB SIZES ARE RECOMMENDATIONS ONLY. FINAL SIZES AND VERIFICATION OF ITS FIT ARE THE SOLE RESPONSIBILITY OF THE OEM.



TOLERANCES: UNLESS OTHERWISE SPECIFIED DIMENSIONS ARE IN U.S. INCHES.
 X.XX = .015 X.XXXX = .001
 X.XXX = .010 X.X° = 1°

Customer's Part No: 261707

APPROVAL BY DATE

CHECK

ENG.

SCALE AS NOTED

DRAWN BY M BOYER 17-May-13

NEW AGE ENCLOSURES

4330 Santa Fe Road San Luis Obispo, CA. 93401
 ph. (805) 595-1310 fax (805) 595-1024
www.newageenclosures.com

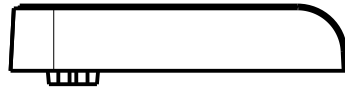
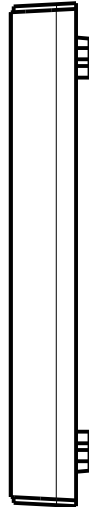
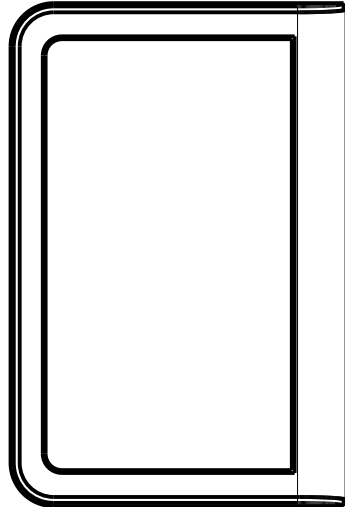
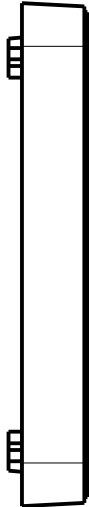
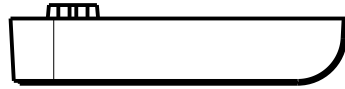
STANDARD - AAA FOB
 SXX-261707-XXX

SIZE A DRAWING NAME 261707_R1_0

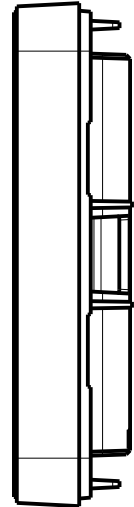
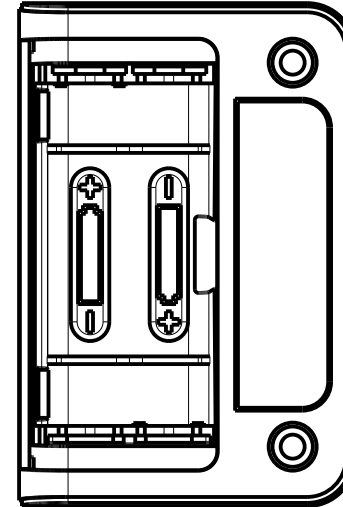
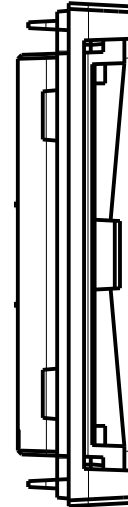
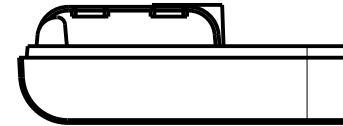
SHEET 7 OF 8 REV.DOC 1.0

261707 2nd OPERATION DETAILS

NEW AGE ENCLOSURES DELIVERS YOUR ENCLOSURE MARKET-READY WITH IN-HOUSE
CNC MACHINING, PAD PRINTING, ASSEMBLY, AND FULFILLMENT.
ALL SURFACES AND AREAS ARE AVAILABLE FOR CNC ALTERATION BY NEW AGE ENCLOSURES
CALL (805) 595-1310 FOR PRICING AND SCHEDULE.
THE INSIDE RADIUS OF ANY MACHINED FEATURES SHOULD BE NO SMALLER THAN .031"



261807 COVER
SCALE 1.000



261807 BASE
SCALE 1.000

SXX-261707-XXX COVER - ABS, BLACK

| STEP NO | DESCRIPTION | CUTTER | FIXTURE | ORIENTATION | PROGRAM |
|---------|-------------|---------------|---------|-------------|---------|
| 1 | | T2 = .062" EM | - | SINGLE | |
| 2 | | T2 = .062" EM | - | - | |
| 3 | | T2 = .062" EM | - | - | |

TOLERANCES: UNLESS OTHERWISE SPECIFIED
DIMENSIONS ARE IN U.S. INCHES.
X.XX = .015 X.XXXX = .001
X.XXX = .010 X.X° = 1°

NEW AGE ENCLOSURES

Customer's Part No: 261707

| | | |
|----------|-----------|------|
| APPROVAL | BY | DATE |
| CHECK | | |
| ENG. | | |
| SCALE | AS NOTED | |
| DRAWN BY | M BOYER | |
| | 17-May-13 | |

NEW AGE ENCLOSURES

4330 Santa Fe Road San Luis Obispo, CA. 93401
ph. (805) 595-1310 fax (805) 595-1024
www.newageenclosures.com

STANDARD - AAA FOB
SXX-261707-XXX

| | | | |
|------|--------------|--------|---------|
| SIZE | DRAWING NAME | SHEET | REV.DOC |
| A | 261707_R1_0 | 8 OF 8 | 1.0 |

Mouser Electronics

Authorized Distributor

Click to View Pricing, Inventory, Delivery & Lifecycle Information:

[New Age Enclosures:](#)

[S1A-261707](#) [3A-261707-BC](#) [1A-261707-BC](#) [S3A-261707](#) [S1A-261707-K](#) [S3A-261707-K](#)

Данный компонент на территории Российской Федерации

Вы можете приобрести в компании MosChip.

Для оперативного оформления запроса Вам необходимо перейти по данной ссылке:

<http://moschip.ru/get-element>

Вы можете разместить у нас заказ для любого Вашего проекта, будь то серийное производство или разработка единичного прибора.

В нашем ассортименте представлены ведущие мировые производители активных и пассивных электронных компонентов.

Нашей специализацией является поставка электронной компонентной базы двойного назначения, продукции таких производителей как XILINX, Intel (ex.ALTERA), Vicor, Microchip, Texas Instruments, Analog Devices, Mini-Circuits, Amphenol, Glenair.

Сотрудничество с глобальными дистрибьюторами электронных компонентов, предоставляет возможность заказывать и получать с международных складов практически любой перечень компонентов в оптимальные для Вас сроки.

На всех этапах разработки и производства наши партнеры могут получить квалифицированную поддержку опытных инженеров.

Система менеджмента качества компании отвечает требованиям в соответствии с ГОСТ Р ИСО 9001, ГОСТ РВ 0015-002 и ЭС РД 009

Офис по работе с юридическими лицами:

105318, г.Москва, ул.Щербаковская д.3, офис 1107, 1118, ДЦ «Щербаковский»

Телефон: +7 495 668-12-70 (многоканальный)

Факс: +7 495 668-12-70 (доб.304)

E-mail: info@moschip.ru

Skype отдела продаж:

moschip.ru

moschip.ru_4

moschip.ru_6

moschip.ru_9