

6N137, HCNW137, HCNW2601, HCNW2611, HCPL-0600, HCPL-0601, HCPL-0611, HCPL-0630, HCPL-0631, HCPL-0661, HCPL-2601, HCPL-2611, HCPL-2630, HCPL-2631, HCPL-4661

High CMR, High Speed TTL Compatible Optocouplers

Description

The Broadcom® 6N137, HCPL-26xx/06xx/4661, HCNW137/26x1 are optically coupled gates that combine a GaAsP light emitting diode and an integrated high gain photo detector. An enable input allows the detector to be strobed. The output of the detector IC is an open collector Schottky-clamped transistor. The internal shield provides a guaranteed common mode transient immunity specification up to 15,000 V/μs at V_{cm} = 1000V.

This unique design provides maximum AC and DC circuit isolation while achieving TTL compatibility. The optocoupler AC and DC operational parameters are guaranteed from –40°C to +85°C allowing troublefree system performance.

Functional Diagram



TRUTH TABLE
(POSITIVE LOGIC)

| LED | ENABLE | OUTPUT |
|-----|--------|--------|
| ON | H | L |
| OFF | H | H |
| ON | L | H |
| OFF | L | H |
| ON | NC | L |
| OFF | NC | H |



TRUTH TABLE
(POSITIVE LOGIC)

| LED | OUTPUT |
|-----|--------|
| ON | L |
| OFF | H |

NOTE: A 0.1-μF bypass capacitor must be connected as close as possible between pins 5 and 8.

CAUTION! Take normal static precautions in handling and assembly of this component to prevent damage and/or degradation that may be induced by ESD.

Features

- 15 kV/μs minimum Common Mode Rejection (CMR) at V_{CM} = 1 kV for HCNW2611, HCPL-2611, HCPL-4661, HCPL-0611, HCPL-0661
- High speed: 10 MBd typical
- LSTTL/TTL compatible
- Low input current capability: 5 mA
- Guaranteed AC and DC performance over temperature: –40°C to +85°C
- Available in 8-Pin DIP, SOIC-8, widebody packages
- Storable output (single channel products only)
- Safety approval
 - UL recognized – 3750 V_{rms} for 1 minute and 5000 V_{rms} for 1 minute per UL1577 CSA approved (5000 V_{rms}/1 Minute rating is for HCNW137/26X1 and Option 020 [6N137, HCPL-2601/11/30/31, HCPL-4661] products only)
 - IEC/EN/DIN EN 60747-5-5 approved with:
 - V_{IORM} = 567 V_{peak} for 06xx Option 060
 - V_{IORM} = 630 V_{peak} for 6N137/26xx Option 060
 - V_{IORM} = 1414 V_{peak} for HCNW137/26x1
- MIL-PRF-38534 hermetic version available (HCPL-56xx/66xx)

Applications

- Isolated line receiver
- Computer-peripheral interfaces
- Microprocessor system interfaces
- Digital isolation for A/D, D/A conversion
- Switching power supply
- Instrument input/output isolation
- Ground loop elimination
- Pulse transformer replacement
- Power transistor isolation in motor drives
- Isolation of high speed logic systems

The 6N137, HCPL-26xx, HCPL-06xx, HCPL-4661, HCNW137, and HCNW26x1 are suitable for high speed logic interfacing, input/output buffering, as line receivers in environments that conventional line receivers cannot tolerate and are recommended for use in extremely high ground or induced noise environments.

Selection Guide

| Minimum CMR | | Input On-Current (mA) | Output Enable | 8-Pin DIP (300 Mil) | | Small-Outline SO-8 | | Widebody (400 Mil) | Hermetic |
|--------------|------------------------|-----------------------|------------------------|------------------------|------------------------|------------------------|------------------------|--|----------------------------------|
| dV/dt (V/μs) | V _{CM} (V) | | | Single Channel Package | Dual Channel Package | Single Channel Package | Dual Channel Package | Single Channel Package | Single and Dual Channel Packages |
| 1000 | 10 | 5 | YES | 6N137 | | | | | |
| 5,000 | 1,000 | 5 | YES | | | HCPL-0600 | | HCNW137 | |
| | | | NO | | HCPL-2630 | | HCPL-0630 | | |
| YES | HCPL-2601 | | | HCPL-0601 | | HCNW2601 | | | |
| NO | | | HCPL-2631 | | HCPL-0631 | | | | |
| 15,000 | 1,000 | | YES | HCPL-2611 | | HCPL-0611 | | HCNW2611 | |
| | | | NO | | HCPL-4661 | | HCPL-0661 | | |
| 1,000 | 50 | | YES | HCPL-2602 ^a | | | | | |
| 3,500 | 300 | | YES | HCPL-2612 ^a | | | | | |
| 1,000 | 50 | 3 | YES | HCPL-261A ^a | | HCPL-061A ^a | | | |
| | | | NO | | HCPL-263A ^a | | HCPL-063A ^a | | |
| YES | HCPL-261N ^a | | | HCPL-061N ^a | | | | | |
| NO | | | HCPL-263N ^a | | HCPL-063N ^a | | | | |
| 1,000 | 50 | 12.5 | ^c | | | | | HCPL-193x ^a HCPL-56xx ^a HCPL-66xx ^a | |

a. Technical data are on separate Broadcom publications.

b. 15 kV/μs with V_{CM} = 1 kV can be achieved using Broadcom application circuit.3.

c. Enable is available for single channel products only, except for HCPL-193x devices.

Ordering Information

HCPL-xxxx is UL Recognized with 3750 V_{rms} for 1 minute per UL1577.

HCNWxxxx is UL Recognized with 5000 V_{rms} for 1 minute per UL1577.

Table 1: Ordering Information

| Part Number | Option | | Package | Surface Mount | Gull Wing | Tape & Reel | UL 5000 Vrms/ 1 Minute Rating | IEC/EN/DIN EN 60747-5-5 | Quantity |
|------------------------|----------------|--------------------|--------------|---------------|-----------|-------------|-------------------------------|-------------------------|---------------|
| | RoHS Compliant | Non-RoHS Compliant | | | | | | | |
| 6N137 | -000E | No option | 300mil DIP-8 | | | | | | 50 per tube |
| | -300E | #300 | | X | X | | | | 50 per tube |
| | -500E | #500 | | X | X | X | | | 1000 per reel |
| | -020E | #020 | | | | | X | | 50 per tube |
| | -320E | #320 | | X | X | | X | | 50 per tube |
| | -520E | #520 | | X | X | X | X | | 1000 per reel |
| | -060E | #060 | | | | | | X | 50 per tube |
| | -560E | -560 | | X | X | X | | X | 1000 per reel |
| HCPL-2601 | -000E | No option | 300mil DIP-8 | | | | | | 50 per tube |
| | -300E | #300 | | X | X | | | | 50 per tube |
| | -500E | #500 | | X | X | X | | | 1000 per reel |
| | -020E | #020 | | | | | X | | 50 per tube |
| | -320E | #320 | | X | X | | X | | 50 per tube |
| | -520E | #520 | | X | X | X | X | | 1000 per reel |
| | -060E | #060 | | | | | | X | 50 per tube |
| | -360E | — | | X | X | | | X | 50 per tube |
| HCPL-2611 | -000E | No option | 300mil DIP-8 | | | | | | 50 per tube |
| | -300E | #300 | | X | X | | | | 50 per tube |
| | -500E | #500 | | X | X | X | | | 1000 per reel |
| | -020E | #020 | | | | | X | | 50 per tube |
| | -320E | #320 | | X | X | | X | | 50 per tube |
| | -520E | #520 | | X | X | X | X | | 1000 per reel |
| | -060E | #060 | | | | | | X | 50 per tube |
| | -360E | #360 | | X | X | | | X | 50 per tube |
| | -560E | #560 | | X | X | X | | X | 1000 per reel |
| HCPL-2630 | -000E | No option | 300mil DIP-8 | | | | | | 50 per tube |
| | -300E | #300 | | X | X | | | | 50 per tube |
| | -500E | #500 | | X | X | X | | | 1000 per reel |
| | -020E | #020 | | | | | X | | 50 per tube |
| | -320E | #320 | | X | X | | X | | 50 per tube |
| | -520E | -520 | | X | X | X | X | | 1000 per reel |
| HCPL-2631 HCPL-4661 | -000E | No option | 300mil DIP-8 | | | | | | 50 per tube |
| | -300E | #300 | | X | X | | | | 50 per tube |
| | -500E | #500 | | X | X | X | | | 1000 per reel |
| | -020E | #020 | | | | | X | | 50 per tube |
| | -320E | #320 | | X | X | | X | | 50 per tube |
| | -520E | #520 | | X | X | X | X | | 1000 per reel |

Table 1: Ordering Information (Continued)

| Part Number | Option | | Package | Surface Mount | Gull Wing | Tape & Reel | UL 5000 Vrms/ 1 Minute Rating | IEC/EN/DIN EN 60747-5-5 | Quantity |
|-------------|----------------|--------------------|---------------|---------------|-----------|-------------|-------------------------------|-------------------------|---------------|
| | RoHS Compliant | Non-RoHS Compliant | | | | | | | |
| HCPL-0600 | -000E | No option | SO-8 | X | | | | | 100 per tube |
| HCPL-0601 | -500E | #500 | | X | | X | | | 1500 per reel |
| HCPL-0611 | -060E | #060 | | X | | | | X | 100 per tube |
| | -560E | #560 | | X | | X | | X | 1500 per reel |
| HCPL-0630 | -000E | No option | SO-8 | X | | | | | 100 per tube |
| HCPL-0631 | -500E | #500 | | X | | X | | | 1500 per reel |
| HCPL-0661 | | | | | | | | | |
| HCNW137 | -000E | No option | 400 mil DIP-8 | | | | X | X | 42 per tube |
| HCNW2601 | -300E | #300 | | X | X | | X | X | 42 per tube |
| HCNW2611 | -500E | #500 | | X | X | X | X | X | 750 per reel |

To order, choose a part number from the part number column and combine with the desired option from the option column to form an order entry. Combinations of Option 020 and Option 060 are not available.

Example 1:

HCPL-2611-560E to order product of 300-mil DIP Gull Wing Surface Mount package in Tape and Reel packaging with IEC/EN/DIN EN 60747-5-5 Safety Approval in RoHS compliant.

Example 2:

HCPL-2630 to order product of 300-mil DIP package in tube packaging and non RoHS compliant.

Option data sheets are available. Contact your Broadcom sales representative or authorized distributor for information.

NOTE: The notation “#xxx” is used for existing products, while products launched since July 15, 2001 and RoHS compliant option use “-xxxE”.

Schematic



USE OF A 0.1 μ F BYPASS CAPACITOR CONNECTED AS CLOSE AS POSSIBLE BETWEEN PINS 5 AND 8 IS RECOMMENDED.



Package Outline Drawings

8-pin DIP Package¹ (6N137, HCPL-2601/11/30/31, HCPL-4661)



DIMENSIONS IN MILLIMETERS (INCHES).
 *MARKING CODE LETTER FOR OPTION NUMBERS
 "L" = OPTION 020
 "V" = OPTION 060
 OPTION NUMBERS 300 AND 500 NOT MARKED.
 NOTE: FLOATING LEAD PROTRUSION IS 0.25 mm (10 mils) MAX.

1. JEDEC Registered Data (for 6N137 only).

8-pin DIP Package with Gull Wing Surface Mount Option 300 (6N137, HCPL-2601/11/30/31, HCPL-4661)



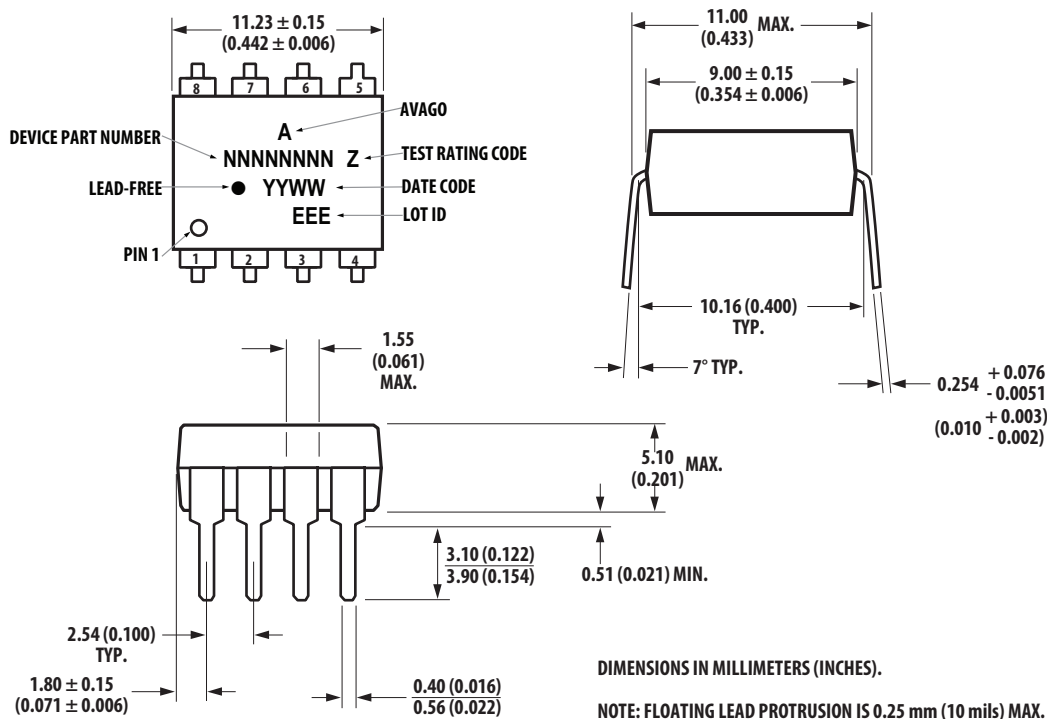
Small-Outline SO-8 Package (HCPL-0600/01/11/30/31/61)



DIMENSIONS IN MILLIMETERS (INCHES).
 LEAD COPLANARITY = 0.10 mm (0.004 INCHES) MAX.

NOTE: FLOATING LEAD PROTRUSION IS 0.15 mm (6 mils) MAX.

8-Pin Widebody DIP Package (HCNW137, HCNW2601/11)



DIMENSIONS IN MILLIMETERS (INCHES).
 NOTE: FLOATING LEAD PROTRUSION IS 0.25 mm (10 mils) MAX.

8-Pin Widebody DIP Package with Gull Wing Surface Mount Option 300 (HCNW137, HCNW2601/11)



| Test Rating Code, Z | Optional Identification Code |
|-----------------------|---|
| L – Option x2x | A – Avago |
| V – Option x5x or x6x |  – UL Logo |
| | P – Special Program Code |

Reflow Soldering Profile

The recommended reflow soldering conditions are per JEDEC Standard J-STD-020 (latest revision). Non-halide flux should be used.

Regulatory Information

The 6N137, HCPL-26xx/06xx/46xx, and HCNW137/26xx have been approved by the following organizations:

UL Recognized under UL 1577, Component Recognition Program, File E55361.

IEC/EN/DIN EN 60747-5-5

CSA Approved under CSA Component Acceptance Notice #5, File CA 88324.

Insulation and Safety-Related Specifications

| Parameter | Symbol | 8-pin DIP (300 Mil) | SO-8 | Widebod (400 Mil) | Units | Conditions |
|--|--------|------------------------|------|----------------------|-------|--|
| Minimum External Air Gap (External Clearance) | L(101) | 7.1 | 4.9 | 9.6 | mm | Measured from input terminals to output terminals, shortest distance through air. |
| Minimum External Tracking (External Creepage) | L(102) | 7.4 | 4.8 | 10.0 | mm | Measured from input terminals to output terminals, shortest distance path along body. |
| Minimum Internal Plastic Gap (Internal Clearance) | | 0.08 | 0.08 | 1.0 | mm | Through insulation distance, conductor to conductor, usually the direct distance between the photoemitter and photodetector inside the optocoupler cavity. |
| Minimum Internal Tracking (Internal Creepage) | | NA | NA | 4.0 | mm | Measured from input terminals to output terminals, along internal cavity. |
| Tracking Resistance (Comparative Tracking Index) | CTI | 200 | 200 | 200 | V | DIN IEC 112/VDE 0303 Part 1 |
| Isolation Group | | IIIa | IIIa | IIIa | | Material Group (DIN VDE 0110, 1/89, Table 1) |

Option 300 – Surface mount classification is Class A in accordance with CECC 00802.

IEC/EN/DIN EN 60747-5-5 Insulation Characteristics² (HCPL-06xx Option 060 Only)

| Description | Symbol | Characteristic | Units |
|---|----------------|-----------------------|-------------|
| Installation classification per DIN VDE 0110, Table 1 for rated mains voltage $\leq 150 V_{rms}$ for rated mains voltage $\leq 300 V_{rms}$ for rated mains voltage $\leq 600 V_{rms}$ | | I-IV I-IV I-III | |
| Climatic Classification | | 40/85/21 | |
| Pollution Degree (DIN VDE 0110/39) | | 2 | |
| Maximum Working Insulation Voltage | V_{IORM} | 567 | V_{peak} |
| Input-to-Output Test Voltage, Method b ^a $V_{IORM} \times 1.875 = V_{PR}$, 100% Production Test with $t_m = 1s$, Partial Discharge $< 5 pC$ | V_{PR} | 1063 | V_{peak} |
| Input-to-Output Test Voltage, Method a ^a $V_{IORM} \times 1.6 = V_{PR}$, Type and Sample Test, $t_m = 10s$, Partial Discharge $< 5 pC$ | V_{PR} | 907 | V_{peak} |
| Highest Allowable Overvoltage (Transient Overvoltage, $t_{ini} = 60s$) | V_{IOTM} | 6000 | V_{peak} |
| Safety Limiting Values (Maximum values allowed in the event of a failure) | | | |
| Case Temperature | T_S | 150 | $^{\circ}C$ |
| Input Current ^b | $I_{S,INPUT}$ | 150 | mA |
| Output Power ^b | $P_{S,OUTPUT}$ | 600 | mW |
| Insulation Resistance at T_S , $V_{IO} = 500V$ | R_S | $\geq 10^9$ | Ω |

- a. Refer to the front of the optocoupler section of the current catalog, under Product Safety Regulations section, IEC/EN/DIN EN 60747-5-5, for a detailed description.
- b. Ratings apply to all devices except otherwise noted in the Package column.

2. Isolation characteristics are guaranteed only within the safety maximum ratings which must be ensured by protective circuits in application.

IEC/EN/DIN EN 60747-5-5 Insulation Characteristics³ (HCPL-26xx; 46xx; 6N13x Option 060 Only)

| Description | Symbol | Characteristic | Units |
|---|----------------|----------------|-------------|
| Installation classification per DIN VDE 0110, Table 1 for rated mains voltage $\leq 300 V_{rms}$ for rated mains voltage $\leq 450 V_{rms}$ | | I-IV I-IV | |
| Climatic Classification | | 40/85/21 | |
| Pollution Degree (DIN VDE 0110/39) | | 2 | |
| Maximum Working Insulation Voltage | V_{IORM} | 630 | V_{peak} |
| Input to Output Test Voltage, Method b ^a $V_{IORM} \times 1.875 = V_{PR}$, 100% Production Test with $t_m = 1s$, Partial Discharge $< 5 pC$ | V_{PR} | 1181 | V_{peak} |
| Input to Output Test Voltage, Method a ^a $V_{IORM} \times 1.6 = V_{PR}$, Type and sample test, $t_m = 10s$, Partial Discharge $< 5 pC$ | V_{PR} | 1008 | V_{peak} |
| Highest Allowable Overvoltage (Transient Overvoltage, $t_{ini} = 60s$) | V_{IOTM} | 6000 | V_{peak} |
| Safety Limiting Values (Maximum values allowed in the event of a failure) | | | |
| Case Temperature | T_S | 175 | $^{\circ}C$ |
| Input Current | $I_{S,INPUT}$ | 230 | mA |
| Output Power | $P_{S,OUTPUT}$ | 600 | mW |
| Insulation Resistance at T_S , $V_{IO} = 500V$ | R_S | $\geq 10^9$ | Ω |

- a. Refer to the front of the optocoupler section of the current catalog, under Product Safety Regulations section, IEC/EN/DIN EN 60747-5-5, for a detailed description.

3. Isolation characteristics are guaranteed only within the safety maximum ratings, which must be ensured by protective circuits in application

IEC/EN/DIN EN 60747-5-5 Insulation Characteristics⁴ (HCNW137/2601/2611 Only)

| Description | Symbol | Characteristic | Units |
|---|----------------|----------------|-------------|
| Installation classification per DIN VDE 0110, Table 1 for rated mains voltage $\leq 600 V_{rms}$ for rated mains voltage $\leq 1000 V_{rms}$ | | I-IV I-III | |
| Climatic Classification | | 40/85/21 | |
| Pollution Degree (DIN VDE 0110/39) | | 2 | |
| Maximum Working Insulation Voltage | V_{IORM} | 1414 | V_{peak} |
| Input to Output Test Voltage, Method b ^a $V_{IORM} \times 1.875 = V_{PR}$, 100% Production Test with $t_m = 1s$, Partial Discharge $< 5 pC$ | V_{PR} | 2651 | V_{peak} |
| Input to Output Test Voltage, Method a ^a $V_{IORM} \times 1.6 = V_{PR}$, Type and sample test, $t_m = 10s$, Partial Discharge $< 5 pC$ | V_{PR} | 2262 | V_{peak} |
| Highest Allowable Overvoltage (Transient Overvoltage, $t_{ini} = 60s$) | V_{IOTM} | 8000 | V_{peak} |
| Safety Limiting Values (Maximum values allowed in the event of a failure) | | | |
| Case Temperature | T_S | 150 | $^{\circ}C$ |
| Input Current | $I_{S,INPUT}$ | 400 | mA |
| Output Power | $P_{S,OUTPUT}$ | 700 | mW |
| Insulation Resistance at T_S , $V_{IO} = 500V$ | R_S | $\geq 10^9$ | Ω |

- a. Refer to the front of the optocoupler section of the current catalog, under Product Safety Regulations section, IEC/EN/DIN EN 60747-5-5, for a detailed description.

4. Isolation characteristics are guaranteed only within the safety maximum ratings, which must be ensured by protective circuits in application.

Absolute Maximum Ratings⁵

No derating required up to 85°C.

| Parameter | Symbol | Package ^a | Min. | Max. | Units | Note |
|---|----------|---|------|--|-------|------|
| Storage Temperature | T_S | | -55 | 125 | °C | |
| Operating Temperature ^b | T_A | | -40 | 85 | °C | |
| Average Forward Input Current | I_F | Single 8-Pin DIP Single SO-8 Widebody | — | 20 | mA | c |
| | | Dual 8-Pin DIP Dual SO-8 | — | 15 | | |
| Reverse Input Voltage | V_R | 8-Pin DIP, SO-8 | — | 5 | V | d |
| | | Widebody | — | 3 | | |
| Input Power Dissipation | P_I | Widebody | — | 40 | mW | |
| | | Single 8-Pin DIP | — | 36 | | |
| | | Dual 8-Pin DIP | — | 27 | | |
| Supply Voltage (1 Minute Maximum) | V_{CC} | | — | 7 | V | |
| Enable Input Voltage (not to exceed V_{CC} by more than 500 mV) | V_E | Single 8-Pin DIP Single SO-8 Widebody | — | $V_{CC} + 0.5$ | V | |
| Enable Input Current | I_E | | — | 5 | mA | |
| Output Collector Current | I_O | | — | 50 | mA | d |
| Output Collector Voltage | V_O | | — | 7 | V | d |
| Output Collector Power Dissipation | P_O | Single 8-Pin DIP Single SO-8 Widebody | — | 85 | mW | |
| | | Dual 8-Pin DIP Dual SO-8 | — | 60 | | |
| Lead Solder Temperature (Through Hole Parts Only) | T_{LS} | 8-Pin DIP | — | 260°C for 10 s, 1.6 mm below seating plane | | |
| | | Widebody | — | 260°C for 10s, up to seating plane | | |
| Solder Reflow Temperature Profile (Surface Mount Parts Only) | | SO-8 and Option 300 | — | See Package Outline Drawings | | |

- a. Ratings apply to all devices except otherwise noted in the Package column.
- b. 0°C to 70°C on JEDEC Registration.
- c. Peaking circuits may produce transient input currents up to 50 mA, 50 ns maximum pulse width, provided average current does not exceed 20 mA.
- d. Each channel.
- e. Peaking circuits may produce transient input currents up to 50 mA, 50 ns maximum pulse width, provided average current does not exceed 15 mA.
- f. Derate linearly above 80°C free-air temperature at a rate of 2.7 mW/°C for the SOIC-8 package.

5. JEDEC Registered Data (for 6N137 only).

Recommended Operating Conditions

| Parameter | Symbol | Min. | Max. | Units |
|---|------------|------|----------|-------------|
| Input Current, Low Level | I_{FL}^a | 0 | 250 | μA |
| Input Current, High Level ^b | I_{FH}^c | 5 | 15 | mA |
| Power Supply Voltage | V_{CC} | 4.5 | 5.5 | V |
| Low Level Enable Voltage ^d | V_{EL} | 0 | 0.8 | V |
| High Level Enable Voltage ^d | V_{EH} | 2.0 | V_{CC} | V |
| Operating Temperature | T_A | -40 | 85 | $^{\circ}C$ |
| Fan Out (at $R_L = 1\text{ k}\Omega$) ^b | N | — | 5 | TTL Loads |
| Output Pull-up Resistor | R_L | 330 | 4 k | Ω |

- a. The off condition can also be guaranteed by ensuring that $V_{FL} \leq 0.8V$.
- b. Each channel.
- c. The initial switching threshold is 5 mA or less. It is recommended that 6.3 mA to 10 mA be used for best performance and to permit at least a 20% LED degradation guardband.
- d. For single channel products only.

Electrical Specifications

Over recommended temperature ($T_A = -40^\circ\text{C}$ to $+85^\circ\text{C}$) unless otherwise specified. All Typical at $V_{CC} = 5\text{V}$, $T_A = 25^\circ\text{C}$.

All enable test conditions apply to single channel products only. See note.

Table 2: Electrical Specifications

| Parameter | Sym. | Package | Min. | Typ. | Max. | Units | Test Conditions | Figure | Note | | |
|---------------------------|------------|-------------------------|------|------|-------------------|---------------|---|------------|---------|--|---|
| High Level Output Current | I_{OH}^a | All | — | 5.5 | 100 | μA | $V_{CC} = 5.5\text{V}$, $V_E = 2.0\text{V}$ | 1 | b, c, d | | |
| | | | | | | | $V_O = 5.5\text{V}$, $I_F = 250\text{ mA}$ | | | | |
| Input Threshold Current | I_{TH} | Single Channel Widebody | — | 2.0 | 5.0 | mA | $V_{CC} = 5.5\text{V}$, $V_E = 2.0\text{V}$, $V_O = 0.6\text{V}$, $I_{OL}(\text{Sinking}) = 13\text{ mA}$ | 2, 3 | d | | |
| | | Dual Channel | | 2.5 | | | | | | | |
| Low Level Output Voltage | V_{OL}^a | 8-Pin DIP, SO-8 | — | 0.35 | 0.6 | V | $V_{CC} = 5.5\text{V}$, $V_E = 2.0\text{V}$, $I_F = 5\text{ mA}$, $I_{OL}(\text{Sinking}) = 13\text{ mA}$ | 2, 3, 4, 5 | b, d | | |
| | | Widebody | | 0.4 | | | | | | | |
| High Level Supply Current | I_{CCH} | Single Channel | — | 7.0 | 10.0* | mA | $V_E = 0.5\text{V}$ $V_{CC} = 5.5\text{V}$, $I_F = 0\text{ mA}$ | | e | | |
| | | | | — | 6.5 | | — | | | $V_E = V_{CC}$, $V_{CC} = 5.5\text{ V}$, $I_F = 0\text{ mA}$ | |
| | | Dual Channel | — | 10 | 15 | Both Channels | | | | | |
| Low Level Supply Current | I_{CCL} | Single Channel | — | 9.0 | 13.0* | mA | $V_E = 0.5\text{V}$, $V_{CC} = 5.5\text{V}$, $I_F = 10\text{ mA}$ | | f | | |
| | | | | — | 8.5 | | — | | | $V_E = V_{CC}$, $V_{CC} = 5.5\text{V}$ $I_F = 10\text{ mA}$ | |
| | | Dual Channel | — | 13 | 21 | Both Channels | | | | | |
| High Level Enable Current | I_{EH} | Single Channel | — | -0.7 | -1.6 | mA | $V_{CC} = 5.5\text{V}$, $V_E = 2.0\text{V}$ | | | | |
| Low Level Enable Current | I_{EL}^a | | | -0.9 | -1.6 | | $V_{CC} = 5.5\text{V}$, $V_E = 0.5\text{V}$ | | | g | |
| High Level Enable Voltage | V_{EH} | | | 2.0 | — | | — | | | V | d |
| Low Level Enable Voltage | V_{EL} | | | — | — | | 0.8 | | | V | |
| Input Forward Voltage | V_F | 8-Pin DIP | 1.4 | 1.5 | 1.75 ^a | V | $T_A = 25^\circ\text{C}$, $I_F = 10\text{ mA}$ | 6, 7 | b | | |
| | | SO-8 | 1.3 | — | 1.80 | | $I_F = 10\text{ mA}$ | | | | |
| | | Widebody | 1.25 | 1.64 | 1.85 | | $T_A = 25^\circ\text{C}$, $I_F = 10\text{ mA}$ | | | | |
| | | | 1.2 | | 2.05 | | $I_F = 10\text{ mA}$ | | | | |

Table 2: Electrical Specifications (Continued)

| Parameter | Sym. | Package | Min. | Typ. | Max. | Units | Test Conditions | Figure | Note |
|-------------------------------------|---------------------------|-----------------|------|------|------|-------|--|--------|------|
| Input Reverse Breakdown Voltage | BV_R^a | 8-Pin DIP, SO-8 | 5 | — | — | V | $I_R = 10 \mu A$ | | b |
| | | Widebody | 3 | — | — | | $I_R = 100 \mu A,$ $T_A = 25^\circ C$ | | |
| Input Diode Temperature Coefficient | $\Delta V_F / \Delta T_A$ | 8-Pin DIP, SO-8 | — | -1.6 | — | mV/°C | $I_F = 10 \text{ mA}$ | 7 | b |
| | | Widebody | — | -1.9 | — | | | | |
| Input Capacitance | C_{IN} | 8-Pin DIP, SO-8 | — | 60 | — | pF | $f = 1 \text{ MHz}, V_F = 0V$ | | b |
| | | Widebody | — | 70 | — | | | | |

- a. JEDEC registered data for the 6N137. The JEDEC Registration specifies 0°C to +70°C. Broadcom specifies -40°C to +85°C.
- b. Each channel.
- c. The JEDEC registration for the 6N137 specifies a maximum I_{OH} of 250 μA . Broadcom guarantees a maximum I_{OH} of 100 μA .
- d. No external pull up is required for a high logic state on the enable input. If the V_E pin is not used, tying V_E to V_{CC} will result in improved CMR performance. For single channel products only.
- e. The JEDEC registration for the 6N137 specifies a maximum I_{CCH} of 15 mA. Broadcom guarantees a maximum I_{CCH} of 10 mA.
- f. The JEDEC registration for the 6N137 specifies a maximum I_{CCL} of 18 mA. Broadcom guarantees a maximum I_{CCL} of 13 mA.
- g. The JEDEC registration for the 6N137 specifies a maximum I_{EL} of -2.0 mA. Broadcom guarantees a maximum I_{EL} of -1.6 mA.

Switching Specifications (AC)

Over Recommended Temperature ($T_A = -40^\circ\text{C}$ to $+85^\circ\text{C}$), $V_{CC} = 5\text{V}$, $I_F = 7.5\text{ mA}$ unless otherwise specified.

All Typicals at $T_A = 25^\circ\text{C}$, $V_{CC} = 5\text{V}$.

| Parameter | Symbol | Package ^a | Min. | Typ. | Max. | Units | Test Conditions | Figure | Note |
|--|-----------------------|----------------------|------|------|-----------------|-------|---|-----------------|---------|
| Propagation Delay Time to High Output Level | t_{PLH} | | 20 | 48 | 75 ^b | ns | $T_A = 25^\circ\text{C}$ $R_L = 350\Omega$ $C_L = 15\text{ pF}$ | 8, 9, 10 | c, d, f |
| | | | | | 100 | | $R_L = 350\Omega$ $C_L = 15\text{ pF}$ | | |
| Propagation Delay Time to Low Output Level | t_{PHL} | | 25 | 50 | 75* | ns | $T_A = 25^\circ\text{C}$ $R_L = 350\Omega$ $C_L = 15\text{ pF}$ | | c, e, f |
| | | | | | 100 | | $R_L = 350\Omega$ $C_L = 15\text{ pF}$ | | |
| Pulse Width Distortion | $ t_{PHL} - t_{PLH} $ | 8-Pin DIP SO-8 | — | 3.5 | 35 | ns | $R_L = 350\Omega$ $C_L = 15\text{ pF}$ | 8, 9, 10, 11 | f, g |
| | | Widebody | | | 40 | | | | |
| Propagation Delay Skew | t_{PSK} | | — | — | 40 | ns | $R_L = 350\Omega$ $C_L = 15\text{ pF}$ | | f, g, h |
| Output Rise Time (10-90%) | t_r | | — | 24 | — | ns | $R_L = 350\Omega$ $C_L = 15\text{ pF}$ | 12 | c, f |
| Output Fall Time (90-10%) | t_f | | — | 10 | — | ns | $R_L = 350\Omega$ $C_L = 15\text{ pF}$ | 12 | c, f |
| Propagation Delay Time of Enable from VEH to VEL | t_{ELH} | Single Channel | — | 30 | — | ns | $R_L = 350\Omega$, $C_L = 15\text{ pF}$, | 13, 14 | i |
| Propagation Delay Time of Enable from VEL to VEH | t_{EHL} | Single Channel | — | 20 | — | ns | $V_{EL} = 0\text{V}$, $V_{EH} = 3\text{V}$ | | j |

- Ratings apply to all devices except otherwise noted in the Package column.
- JEDEC registered data for the 6N137.
- Each channel.
- The t_{PLH} propagation delay is measured from the 3.75 mA point on the falling edge of the input pulse to the 1.5V point on the rising edge of the output pulse.
- The t_{PHL} propagation delay is measured from the 3.75 mA point on the rising edge of the input pulse to the 1.5V point on the falling edge of the output pulse.
- No external pull up is required for a high logic state on the enable input. If the V_E pin is not used, tying V_E to V_{CC} will result in improved CMR performance. For single channel products only.
- See [Propagation Delay](#), [Pulse-Width Distortion](#), and [Propagation Delay Skew](#) for more information.
- t_{PSK} is equal to the worst case difference in t_{PHL} and/or t_{PLH} that will be seen between units at any given temperature and specified test conditions.
- The t_{ELH} enable propagation delay is measured from the 1.5V point on the falling edge of the enable input pulse to the 1.5V point on the rising edge of the output pulse.
- The t_{EHL} enable propagation delay is measured from the 1.5V point on the rising edge of the enable input pulse to the 1.5V point on the falling edge of the output pulse.

| Parameter | Sym. | Device | Min. | Typ. | Units | Test Conditions | Figure | Note | |
|---|-----------------|--|--------|--------|-------|--------------------------|---|------|------------|
| Logic High Common Mode Transient Immunity | CM _H | 6N137 | 1,000 | 10,000 | V/μs | V _{CM} = 10V | V _{CC} = 5V, I _F = 0 mA, V _{O(MIN)} = 2V, R _L = 350Ω, T _A = 25°C | 15 | a, b, c, d |
| | | HCPL-2630 HCPL-0600/0630 HCN137 | 5,000 | 10,000 | — | V _{CM} = 1 kV | | | |
| | | HCPL-2601/2631 HCPL-0601/0631 HCN137 | 10,000 | 15,000 | — | V _{CM} = 1 kV | | | |
| | | HCPL-2611/4661 HCPL-0611/0661 HCN137 | 15,000 | 25,000 | — | V _{CM} = 1 kV | | | |
| Logic Low Common Mode Transient Immunity | CM _L | 6N137 | 1,000 | 10,000 | V/μs | V _{CM} = 10V | V _{CC} = 5V, I _F = 7.5 mA, V _{O(MAX)} = 0.8V, R _L = 350Ω, T _A = 25°C | 15 | a, c, d, e |
| | | HCPL-2630 HCPL-0600/0630 HCN137 | 5,000 | 10,000 | — | V _{CM} = 1 kV | | | |
| | | HCPL-2601/2631 HCPL-0601/0631 HCN137 | 10,000 | 15,000 | — | V _{CM} = 1 kV | | | |
| | | HCPL-2611/4661 HCPL-0611/0661 HCN137 | 15,000 | 25,000 | — | V _{CM} = 1 kV | | | |

- Each channel.
- CM_H is the maximum tolerable rate of rise of the common mode voltage to assure that the output will remain in a high logic state (that is, V_O > 2.0V).
- For sinusoidal voltages, $(|dV_{CM}| / dt)_{max} = \pi f_{CM} V_{CM(p-p)}$.
- No external pull up is required for a high logic state on the enable input. If the V_E pin is not used, tying V_E to V_{CC} will result in improved CMR performance. For single channel products only.
- CM_L is the maximum tolerable rate of fall of the common mode voltage to assure that the output will remain in a low logic state (that is, V_O < 0.8V).

Package Characteristics

All Typicals at $T_A = 25^\circ\text{C}$.

| Parameter | Sym. | Package | Min. | Typ. | Max. | Units | Test Conditions | Figure | Note |
|---|-------------|---------------------------------|-----------|-----------|------|---------------|--|--------|---------|
| Input-Output Insulation | I_{I-O}^a | Single 8-Pin DIP Single SO-8 | — | — | 1 | μA | 45% RH, $t = 5\text{s}$, $V_{I-O} = 3\text{ kV}_{\text{dc}}$, $T_A = 25^\circ\text{C}$ | | b, c |
| Input-Output Momentary Withstand Voltage ^d | V_{ISO} | 8-Pin DIP, SO-8 | 3750 | — | — | Vrms | RH 50%, $t = 1\text{ min}$, $T_A = 25^\circ\text{C}$ | | b, c |
| | | Widebody | 5000 | — | — | | | | b, e |
| | | OPT 020 ^f | 5000 | — | — | | | | |
| Input-Output Resistance | R_{I-O} | 8-Pin DIP, SO-8 | — | 10^{12} | — | Ω | $V_{I-O} = 500\text{ V}_{\text{dc}}$, | | b, g, h |
| | | Widebody | 10^{12} | 10^{13} | — | | $V_{I-O} = 500\text{ V}_{\text{dc}}$, $T_A = 25^\circ\text{C}$ | | |
| | | | 10^{11} | — | — | | $V_{I-O} = 500\text{ V}_{\text{dc}}$, $T_A = 100^\circ\text{C}$ | | |
| Input-Output Capacitance | C_{I-O} | 8-Pin DIP, SO-8 | — | 0.6 | — | pF | $f = 1\text{ MHz}$, $T_A = 25^\circ\text{C}$ | | b, g, h |
| | | Widebody | — | 0.5 | 0.6 | | | | |
| Input-Input Insulation Leakage Current | I_{I-I} | Dual Channel | — | 0.005 | — | μA | RH 45%, $t = 5\text{s}$, $V_{I-I} = 500\text{V}$ | | i |
| Resistance (Input-Input) | R_{I-I} | Dual Channel | — | 1011 | — | Ω | RH 45%, $t = 5\text{s}$, $V_{I-I} = 500\text{V}$ | | i |
| Capacitance (Input-Input) | C_{I-I} | Dual 8-Pin DIP | — | 0.03 | — | pF | $f = 1\text{ MHz}$ | | i |
| | | Dual SO-8 | — | 0.25 | — | | | | |

- a. JEDEC registered data for the 6N137. The JEDEC Registration specifies 0°C to 70°C . Broadcom specifies -40°C to 85°C .
- b. Device considered a two-terminal device: pins 1, 2, 3, and 4 shorted together, and pins 5, 6, 7, and 8 shorted together.
- c. In accordance with UL1577, each optocoupler is proof tested by applying an insulation test voltage $\geq 4500\text{ V}_{\text{rms}}$ for one second (leakage detection current limit, $I_{I-O} \leq 5\text{ }\mu\text{A}$). This test is performed before the 100% production test for partial discharge (Method b) shown in the IEC/EN/DIN EN 60747-5-5 Insulation Characteristics Table, if applicable.
- d. The Input-Output Momentary Withstand Voltage is a dielectric voltage rating that should not be interpreted as an input-output continuous voltage rating. For the continuous voltage rating refer to the IEC/EN/DIN EN 60747-5-5 Insulation Characteristics Table (if applicable), your equipment level safety specification or Broadcom Application Note 1074, *Optocoupler Input-Output Endurance Voltage*.
- e. In accordance with UL 1577, each optocoupler is proof tested by applying an insulation test voltage $\geq 6000\text{ V}_{\text{rms}}$ for one second (leakage detection current limit, $I_{I-O} \leq 5\text{ }\mu\text{A}$). This test is performed before the 100% production test for partial discharge (Method b) shown in the IEC/EN/DIN EN 60747-5-5 Insulation Characteristics Table, if applicable.
- f. For 6N137, HCPL-2601/2611/2630/2631/4661 only.
- g. Each channel.
- h. Measured between the LED anode and cathode shorted together and pins 5 through 8 shorted together. For dual channel products only.
- i. Measured between pins 1 and 2 shorted together, and pins 3 and 4 shorted together. For dual channel products only.

Figure 1: Typical High Level Output Current vs. Temperature



Figure 2: Typical Output Voltage vs. Forward Input Current



Figure 3: Typical Input Threshold Current vs. Temperature



Figure 4: Typical Low Level Output Voltage vs. Temperature



Figure 5: Typical Low Level Output Current vs. Temperature



Figure 6: Typical Input Diode Forward Characteristic



Figure 7: Typical Temperature Coefficient of Forward Voltage vs. Input Current



Figure 8: Test Circuit for T_{PHL} and T_{PLH}



* C_L IS APPROXIMATELY 15 pF WHICH INCLUDES PROBE AND STRAY WIRING CAPACITANCE.



Figure 9: Typical Propagation Delay vs. Temperature



Figure 10: Typical Propagation Delay vs. Pulse Input Current



Figure 11: Typical Pulse Width Distortion vs. Temperature



Figure 12: Typical Rise and Fall Time vs. Temperature



Figure 13: Test Circuit for t_{EHL} and t_{ELH}



Figure 14: Typical Enable Propagation Delay vs. Temperature



Figure 15: Test Circuit for Common Mode Transient Immunity and Typical Waveforms



Figure 16: Thermal Derating Curve, Dependence of Safety Limiting Value with Case Temperature per IEC/EN/DIN EN 60747 5-5



Figure 17: Recommended TTL/LSTTL to TTL/LSTTL Interface Circuit



*DIODE D1 (1N916 OR EQUIVALENT) IS NOT REQUIRED FOR UNITS WITH OPEN COLLECTOR OUTPUT.



Propagation Delay, Pulse-Width Distortion, and Propagation Delay Skew

Propagation delay is a figure of merit which describes how quickly a logic signal propagates through a system. The propagation delay from low to high (t_{PLH}) is the amount of time required for an input signal to propagate to the output, causing the output to change from low to high. Similarly, the propagation delay from high to low (t_{PHL}) is the amount of time required for the input signal to propagate to the output causing the output to change from high to low (see [Figure 8](#)).

Pulse-width distortion (PWD) results when t_{PLH} and t_{PHL} differ in value. PWD is defined as the difference between t_{PLH} and t_{PHL} and often determines the maximum data rate capability of a transmission system. PWD can be expressed in percent by dividing the PWD (in ns) by the minimum pulse width (in ns) being transmitted. Typically, PWD on the order of 20 to 30% of the minimum pulse width is tolerable; the exact figure depends on the particular application (RS232, RS422, T-I, etc.).

Propagation delay skew, t_{PSK} , is an important parameter to consider in parallel data applications where synchronization of signals on parallel data lines is a concern. If the parallel data is being sent through a group of optocouplers, differences in propagation delays will cause the data to arrive at the outputs of the optocouplers at different times. If this difference in propagation delays is large enough, it will determine the maximum rate at which parallel data can be sent through the optocouplers.

Propagation delay skew is defined as the difference between the minimum and maximum propagation delays, either t_{PLH} or t_{PHL} , for any given group of optocouplers which are operating under the same conditions (i.e., the same drive current, supply voltage, output load, and operating temperature). As illustrated in [Figure 18](#), if the inputs of a group of optocouplers are switched either ON or OFF at the same time, t_{PSK} is the difference between the shortest propagation delay, either t_{PLH} or t_{PHL} , and the longest propagation delay, either t_{PLH} or t_{PHL} .

As mentioned earlier, t_{PSK} can determine the maximum parallel data transmission rate. [Figure 19](#) is the timing diagram of a typical parallel data application with both the clock and the data lines being sent through optocouplers. The figure shows data and clock signals at the inputs and

outputs of the optocouplers. To obtain the maximum data transmission rate, both edges of the clock signal are being used to clock the data; if only one edge were used, the clock signal would need to be twice as fast.

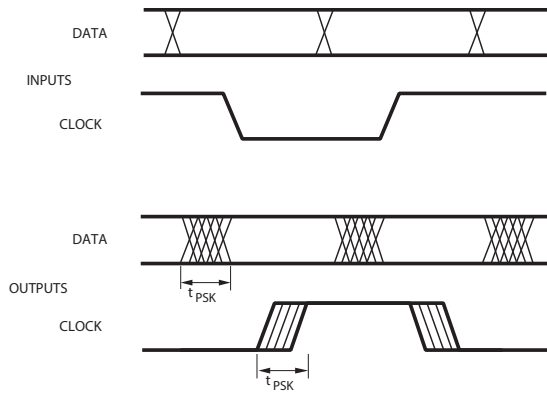
Propagation delay skew represents the uncertainty of where an edge might be after being sent through an optocoupler. [Figure 19](#) shows that there will be uncertainty in both the data and the clock lines. It is important that these two areas of uncertainty not overlap, otherwise the clock signal might arrive before all of the data outputs have settled, or some of the data outputs may start to change before the clock signal has arrived. From these considerations, the absolute minimum pulse width that can be sent through optocouplers in a parallel application is twice t_{PSK} . A cautious design should use a slightly longer pulse width to ensure that any additional uncertainty in the rest of the circuit does not cause a problem.

The t_{PSK} specified optocouplers offer the advantages of guaranteed specifications for propagation delays, pulsewidth distortion and propagation delay skew over the recommended temperature, input current, and power supply ranges.

Figure 18: Illustration of Propagation Delay Skew – t_{PSK}



Figure 19: Parallel Data Transmission Example



Broadcom, the pulse logo, Connecting everything, Avago Technologies, Avago, and the A logo are among the trademarks of Broadcom and/or its affiliates in the United States, certain other countries, and/or the EU.

Copyright © 2014–2018 Broadcom. All Rights Reserved.

The term “Broadcom” refers to Broadcom Limited and/or its subsidiaries. For more information, please visit www.broadcom.com.

Broadcom reserves the right to make changes without further notice to any products or data herein to improve reliability, function, or design. Information furnished by Broadcom is believed to be accurate and reliable. However, Broadcom does not assume any liability arising out of the application or use of this information, nor the application or use of any product or circuit described herein, neither does it convey any license under its patent rights nor the rights of others.



Данный компонент на территории Российской Федерации

Вы можете приобрести в компании MosChip.

Для оперативного оформления запроса Вам необходимо перейти по данной ссылке:

<http://moschip.ru/get-element>

Вы можете разместить у нас заказ для любого Вашего проекта, будь то серийное производство или разработка единичного прибора.

В нашем ассортименте представлены ведущие мировые производители активных и пассивных электронных компонентов.

Нашей специализацией является поставка электронной компонентной базы двойного назначения, продукции таких производителей как XILINX, Intel (ex.ALTERA), Vicor, Microchip, Texas Instruments, Analog Devices, Mini-Circuits, Amphenol, Glenair.

Сотрудничество с глобальными дистрибьюторами электронных компонентов, предоставляет возможность заказывать и получать с международных складов практически любой перечень компонентов в оптимальные для Вас сроки.

На всех этапах разработки и производства наши партнеры могут получить квалифицированную поддержку опытных инженеров.

Система менеджмента качества компании отвечает требованиям в соответствии с ГОСТ Р ИСО 9001, ГОСТ РВ 0015-002 и ЭС РД 009

Офис по работе с юридическими лицами:

105318, г.Москва, ул.Щербаковская д.3, офис 1107, 1118, ДЦ «Щербаковский»

Телефон: +7 495 668-12-70 (многоканальный)

Факс: +7 495 668-12-70 (доб.304)

E-mail: info@moschip.ru

Skype отдела продаж:

moschip.ru

moschip.ru_4

moschip.ru_6

moschip.ru_9